

REVISION RECORD			
REV	ECN	DESCRIPTION	DATE

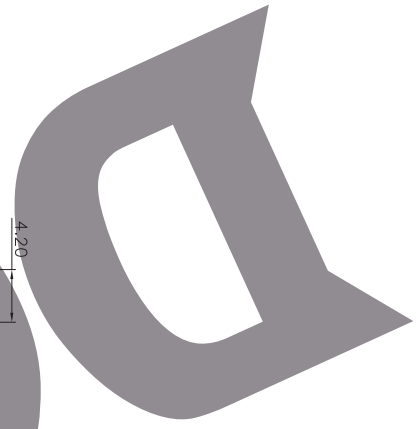
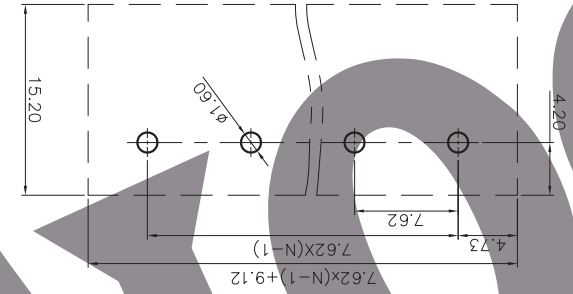
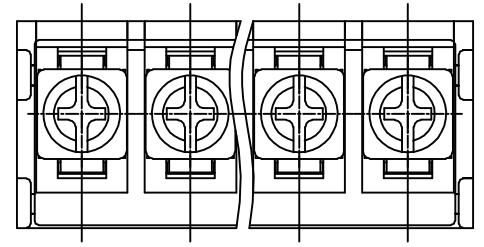
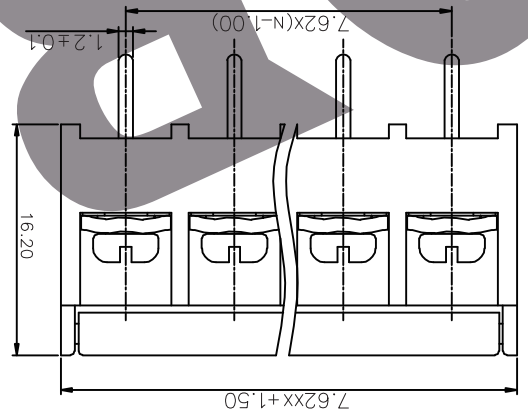
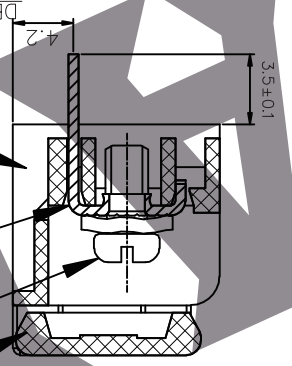
--	--	--	--

NOTE1:  
 UL Standard  
 1. Rated voltage/current : 300V / 20A  
 2. Torque value : M3, 4.3Lb.in  
 3. Wire range : 22~12AWG

NOTE2:  
 1. Dimension shall be interpreted per ASME Y14.5-2009  
 2. Pitch : 7.62mm, Poles : N=02~22P  
 3. Withstanding voltage : AC1600V/1M/in  
 4. Operating temperature : -40°C~+105°C  
 5. Undimensioned tolerances:

Pitch Range in Nominal Dimension Range	Over	Over	Over	Over	Over	Over	Over
mm	mm	mm	mm	mm	mm	mm	mm
0.1/10	0.150	0.100	0.060	0.030	0.010	0.005	0.002
≤	150	100	60	30	10	5	2
±2%	±1.50	±1.00	±0.50	±0.20	±0.10	±0.05	±0.02

6. RoHS Compliance



- 9. (White)
- 8. (Yellow)
- 7. (Transparent)
- 6. (Red)
- 5. (Orange)
- 4. (Green)
- 3. (Black)
- 2. (Blue)
- (Color): 1. (Grey)
- 00A - (Standard)
- (RoHS)

DBT50G-7.62 - 1X - 00A (H)  
 (Series No.) (Poles) (Single Pitch) (Color): 1. (Grey)  
 2. (Blue)  
 3. (Black)  
 4. (Green)  
 5. (Orange)  
 6. (Red)  
 7. (Transparent)  
 8. (Yellow)  
 9. (White)

PART NO.:	CIXI DORABO ELECTRONICS CO.,LTD	
	<b>DORABO</b>	
NAME:	DBT50G-7.62-XXP-1Y-00A(H)	
APPD:	/	/
CHKD:	/	/
DRFT:	/	/
TITLE:	CUSTOMER DRAWING	REV
DRAWING NO.:	/	SHEET
DO NOT SCALE DRAWING	SCALE	1:1

1 2 3 4 5 6 7 8

A B C D E F G H

A B C D E F G H

THIRD ANGLE PROJECTION



(MM)

DO NOT SCALE DRAWING

SCALE

1:1

DRAWING NO.:

/

SHEET

1/1

TITLE:

CUSTOMER DRAWING

REV

/

DRAWING NO.:

/

SCALE

1:1

DO NOT SCALE DRAWING

SCALE

1:1

DRAWING NO.:

/

SHEET

1/1

TITLE:

CUSTOMER DRAWING

REV

/

DRAWING NO.:

/

SCALE

1:1

DO NOT SCALE DRAWING

SCALE

1:1

DRAWING NO.:

/

SHEET

1/1

TITLE:

CUSTOMER DRAWING

REV

/

DRAWING NO.:

/

SCALE

1:1

DO NOT SCALE DRAWING

SCALE

1:1

## X-ON Electronics

Largest Supplier of Electrical and Electronic Components

*Click to view similar products for [Barrier Terminal Blocks](#) category:*

*Click to view products by [DIBO](#) manufacturer:*

Other Similar products are found below :

[CTA-0103](#) [6PCR-02-008](#) [6PCR-05-008](#) [6PCR-08-008](#) [6PCR-21-006](#) [6PCV-06-008](#) [6PCV-10-009](#) [6PCV-15-008](#) [6STR-06-006](#) [6STR-08-006](#) [6STR-12-008](#) [6STR-14-008](#) [6STR-16-008](#) [6STR-17-008](#) [6STR-21-008](#) [6STR-25-008](#) [6STR-27-008](#) [6STV-03-006](#) [6STV-03-008](#) [6STV-04-006](#) [6STV-10-006](#) [6WWR-03](#) [6WWV-11-008](#) [6WWV-12-008](#) [6WWV-16-008](#) [7-1546701-0](#) [72212603](#) [72503-C](#) [73203](#) [76007](#) [7606-602LF](#) [77010-50](#) [796985-3](#) [796988-4](#) [7C1N08](#) [8-1437402-5](#) [8-1437402-7](#) [8-1546158-0](#) [870505](#) [870903](#) [8PCR-06-006](#) [8PCV-02-008](#) [8PCV-04-008](#) [8PCV-05-008](#) [8PCV-09-006](#) [8PCV-15-006](#) [8PCV-16-006](#) [8PCV-17-006](#) [8QCR-03-008](#) [8STV-04-006](#)