

REVISION RECORD

REV	ECN	DESCRIPTION	DRFT	DATE

NOTES1:

UL Standard

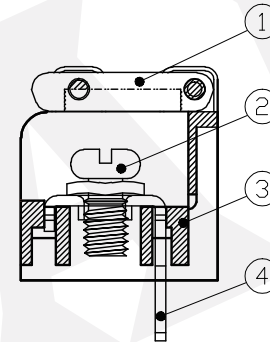
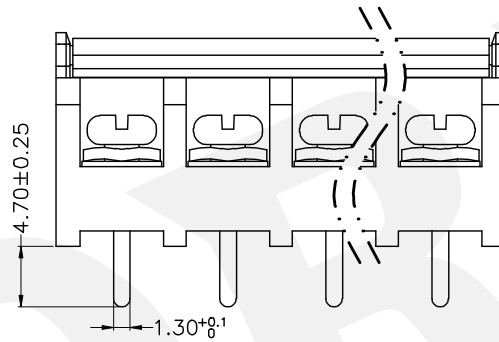
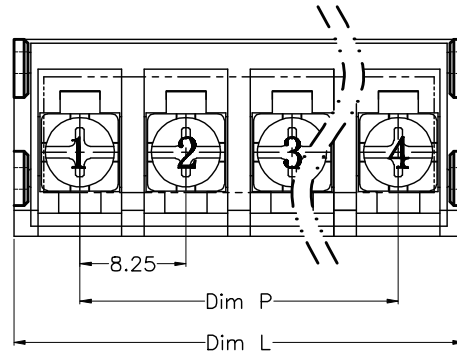
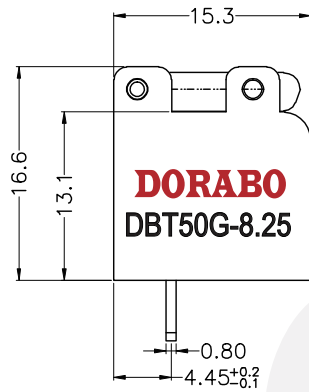
- 1.Rated voltage/current : 300V / 20A
- 2.Torque value : M3 , 4.43Lb.in
- 3.Wire range : 22~12AWG

NOTES2:

- 1.Dimension shall be interpreted per ASME Y14.5-2009
- 2.Pitch : 8.25mm, Poles : N=02~22P
- 3.Withstanding voltage : AC1600V/1Min
- 4.Operating temperature: -40°C~+105°C
- 5.Undimensioned tolerances:

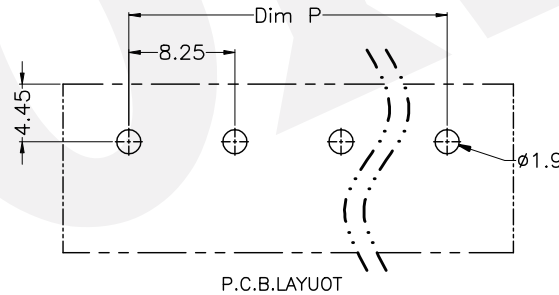
Pitch Range In mm	Over		Nominal Dimension Range In mm		0.1/10
	6 TO 10	10 TO 24	30 TO 60	60 TO 150	
±0.15	±0.20	±0.30	±0.30	±0.50	±1.00
±0.20	±0.30	±0.40	±0.50	±0.70	±1.30
±0.30	±0.40	±0.50	±0.70	±1.00	±2*

6.RoHS Compliance



N=Number of Poles
Dim P=(N-1)x8.25
Dim L=Nx8.25+2

Poles	Dim	Dim P	Dim L
2-6P	±0.10	±0.15	
7-12P	±0.20	±0.20	
13-18P	±0.25	±0.30	
19-24P	±0.30	±0.40	



DBT50G-8.25 - XXP - 1Y - 00A (H)
 (Series No.) (Poles) (Single Pitch) (Color): 1.(Grey) 2.(Blue) 3.(Black) 4.(Green) 5.(Orange) 6.(Red) 7.(Transparent) 8.(Yellow) 9.(White)
 (RoHS)
 00A-(Standard)

DETACHED LISTS	PART NO.:	/		
	APPD:	/		
	CHKD:	/		
	DRFT:	/		
THIRD ANGLE PROJECTION				
DRAWING NO.:		/		SHEET 1/1 DO NOT SCALE DRAWING
MM (INCH)		DO NOT SCALE DRAWING		SCALE 1:1

DORABO 慈溪市地博电子有限公司
CIXI DORABO ELECTRONICS CO.,LTD

NAME: DBT50G-8.25-XXP-1Y-00A(H)

TITLE: CUSTOMER DRAWING REV DO

SHEET 1/1

SCALE 1:1

X-ON Electronics

Largest Supplier of Electrical and Electronic Components

Click to view similar products for [Barrier Terminal Blocks](#) category:

Click to view products by [DIBO](#) manufacturer:

Other Similar products are found below :

[CR151D20104](#) [670A-RZ-15-KT20](#) [6C1N03](#) [6PCR-02](#) [6PCR-02-008](#) [6PCR-05-008](#) [6PCR-08-008](#) [6PCR-09-008](#) [6PCR-13-006](#) [6PCR-15-006](#) [6PCR-21-006](#) [6PCV-06-008](#) [6PCV-06-716](#) [6PCV-09-001](#) [6PCV-15-008](#) [6PCV-17-1206](#) [6PCV-20-323](#) [6STR-06-006](#) [6STR-08-006](#) [6STR-12-008](#) [6STR-13-006](#) [6STR-14-008](#) [6STR-16-008](#) [6STR-17-008](#) [6STR-21-008](#) [6STR-25-008](#) [6STR-27-008](#) [6STV-03-008](#) [6STV-04-006](#) [6STV-09-006](#) [6STV-10-006](#) [6WWV-11-008](#) [6WWV-12-008](#) [6WWV-16-008](#) [71106-C](#) [71502-50](#) [71507-47-50](#) [72504-C-50](#) [72506-C](#) [72507-C-50](#) [72508-56](#) [73203](#) [75505-C-50](#) [7C1N08](#) [812-GP-3/4ST-09](#) [812-GPZ-03PSB](#) [8-1437402-5](#) [8-1437402-7](#) [8PCR-06-006](#) [8PCR-11-006](#)