

电气性能/Electrical  
参考标准/Standard: UL IEC

额定电压/Rated voltage: 300V 750V  
额定电流/Rated current: 20A 32A

使用线径/Wire range: 22-12AWG 4.0mm<sup>2</sup>

耐电压/Withstanding voltage: AC2000V/1Min

绝缘电阻/Insulation resistance: 500M $\Omega$ /DC500V

机械性能/Mechanical

温度范围/Temp.Range: -40 $^{\circ}$ C~+105 $^{\circ}$ C

最大锁紧力矩/Max.Torque: 1.2Nm (10.6lb. in)

尺寸/Dimensions

间距/Pitch: 9.5mm

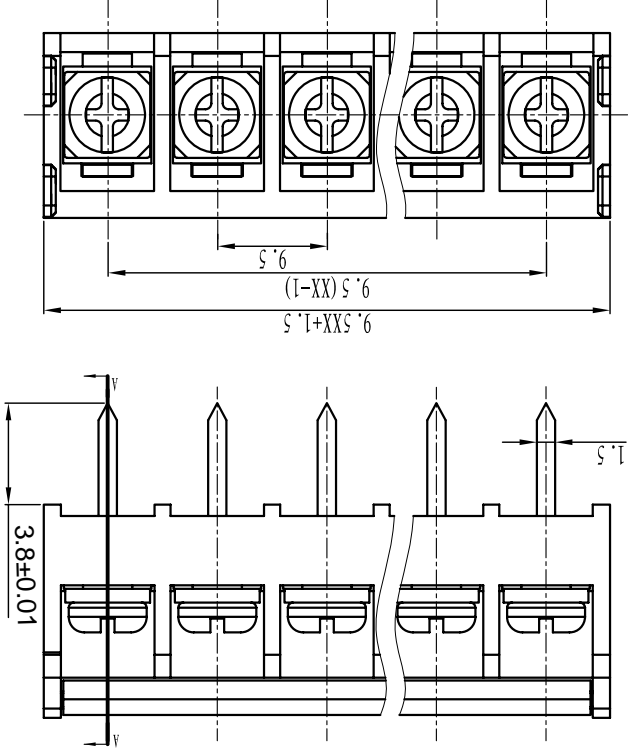
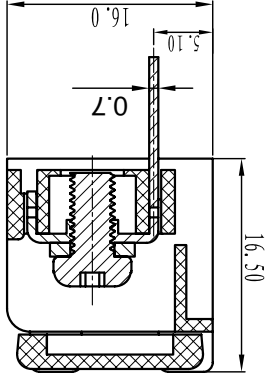
极数/Poles: 2P-24P

材质及电镀/Material

塑件/Housing: PA66, UL94V-0

螺丝/Screws: M4, steel Ni plated

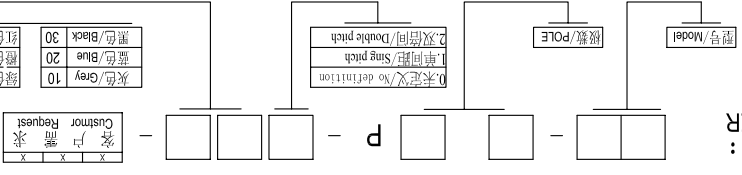
焊脚/Pin header: Brass, 0.8, Tin plated



TOLERANCES EXCEPT AS NOTED

Linear dimension	fillet	chamfer	short angle sid	≡	—	◇	//	⊥
tolerance	Variable	Variable	Variable	Variable	Variable	Variable	Variable	Variable
±0.1	6 to 30	6 to 30	6 to 30	6 to 30	6 to 30	6 to 30	6 to 30	6 to 30
±0.2	6 to 30	6 to 30	6 to 30	6 to 30	6 to 30	6 to 30	6 to 30	6 to 30
±0.3	6 to 30	6 to 30	6 to 30	6 to 30	6 to 30	6 to 30	6 to 30	6 to 30
±0.5	6 to 30	6 to 30	6 to 30	6 to 30	6 to 30	6 to 30	6 to 30	6 to 30
±0.9	6 to 30	6 to 30	6 to 30	6 to 30	6 to 30	6 to 30	6 to 30	6 to 30
±0.2	all	all	all	all	all	all	all	all
±0.5	6 to 30	6 to 30	6 to 30	6 to 30	6 to 30	6 to 30	6 to 30	6 to 30
±1	6 to 30	6 to 30	6 to 30	6 to 30	6 to 30	6 to 30	6 to 30	6 to 30
1'	10 to 50	10 to 50	10 to 50	10 to 50	10 to 50	10 to 50	10 to 50	10 to 50
30'	10 to 50	10 to 50	10 to 50	10 to 50	10 to 50	10 to 50	10 to 50	10 to 50
20'	120 to 120	120 to 120	120 to 120	120 to 120	120 to 120	120 to 120	120 to 120	120 to 120
10'	all to 5	all to 5	all to 5	all to 5	all to 5	all to 5	all to 5	all to 5
0.5	5 to 30	5 to 30	5 to 30	5 to 30	5 to 30	5 to 30	5 to 30	5 to 30
0.025	5 to 30	5 to 30	5 to 30	5 to 30	5 to 30	5 to 30	5 to 30	5 to 30
0.06	5 to 30	5 to 30	5 to 30	5 to 30	5 to 30	5 to 30	5 to 30	5 to 30
0.12	5 to 30	5 to 30	5 to 30	5 to 30	5 to 30	5 to 30	5 to 30	5 to 30
0.4	5 to 30	5 to 30	5 to 30	5 to 30	5 to 30	5 to 30	5 to 30	5 to 30

订购方式:  
HOW TO ORDER:



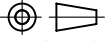
Cixi Dibo Electronics Co., LTD

名称/NAME

DBT50G-9.5-XXP

单位/UNITS mm 尺寸/SIZE A4 比例/SCALE

第一视角/FIRST ANGLE PROJECTION



## X-ON Electronics

Largest Supplier of Electrical and Electronic Components

*Click to view similar products for [Barrier Terminal Blocks](#) category:*

*Click to view products by [DIBO](#) manufacturer:*

Other Similar products are found below :

[CTA-0103](#) [6PCR-02-008](#) [6PCR-05-008](#) [6PCR-08-008](#) [6PCR-21-006](#) [6PCV-06-008](#) [6PCV-10-009](#) [6PCV-15-008](#) [6STR-06-006](#) [6STR-08-006](#) [6STR-12-008](#) [6STR-14-008](#) [6STR-16-008](#) [6STR-17-008](#) [6STR-21-008](#) [6STR-25-008](#) [6STR-27-008](#) [6STV-03-006](#) [6STV-03-008](#) [6STV-04-006](#) [6STV-10-006](#) [6WWR-03](#) [6WWV-11-008](#) [6WWV-12-008](#) [6WWV-16-008](#) [7-1546701-0](#) [72212603](#) [72503-C](#) [73203](#) [76007](#) [7606-602LF](#) [77010-50](#) [796985-3](#) [796988-4](#) [7C1N08](#) [8-1437402-5](#) [8-1437402-7](#) [8-1546158-0](#) [870505](#) [870903](#) [8PCR-06-006](#) [8PCV-02-008](#) [8PCV-04-008](#) [8PCV-05-008](#) [8PCV-09-006](#) [8PCV-15-006](#) [8PCV-16-006](#) [8PCV-17-006](#) [8QCR-03-008](#) [8STV-04-006](#)