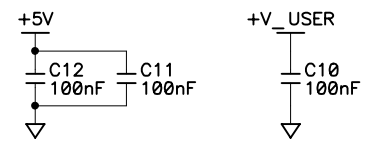


REVISION HISTORY			REVISION APPROVAL			
REV	ECO	DESCRIPTION	PROJECT ENGINEER	APPROVAL DATE	DOCUMENT CONTROL	APPROVAL DATE
A	E11217	INITIAL RELEASE	DM	11/20/01	KIS	7/17/01
B	E11564	CHANGED PE7 TO OUTPUT INHIBIT	DM	28JUN01	KIS	7/17/01
C	E11715	CORRECTED REL2COM TO REL2NO ON J1 PIN 14.	DM	11/2/01	KIS	11/1/01

TABLE A

REF DES	DEVICE	DEVICE VOLTAGE INFORMATION					DEVICE: FILTER CAP REF DES(S)
		AGND	GND	+5V	+V_USER	NO CONNECTS	
U1	7812						
U2	LM311		4		8		C10
U3	74AHC32		3	5			C11
U4	74HC259		8	16			C12

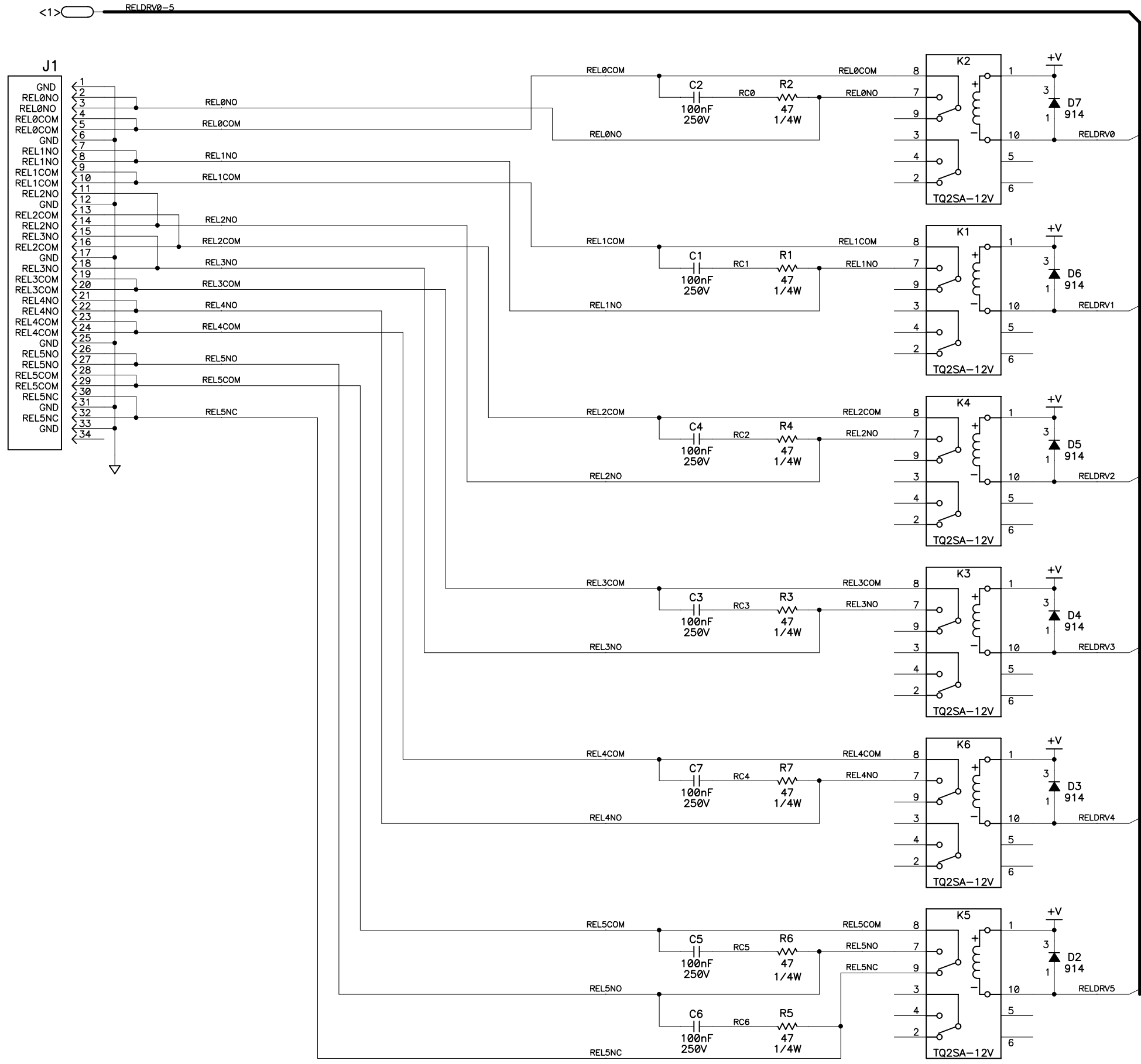


- NOTES: UNLESS OTHERWISE SPECIFIED;
1. ALL RESISTOR VALUES ARE IN OHMS, 1/10W, 5%
 2. ALL CAPACITORS ARE 50VDC OR HIGHER.
 3. THE ORIGINATION SOURCE OF A VOLTAGE IS REPRESENTED BY (VCC), AND ALL REFERENCES TO THAT VOLTAGE ARE REPRESENTED BY (VCC).

COPYRIGHT 2001, Z-WORLD, INC.

APPEND THE FOLLOWING DOCUMENTS WHEN CHANGING THIS DOCUMENT:	DRAWING CONTENT: DRAWN BY: (INITIAL RELEASE) J.H. 26JAN00 REVISED BY: K.SCHALLER NOV1, 2001 APPROVALS: INITIAL RELEASE PROJECT ENGINEER: DARREN MUSGROVE 11/20/00 ENGINEERING MANAGER: -----		TITLE SCHEMATIC DIAGRAM SR9500 SERIES RELAY BOARD SIZE B DWG NO. 090-0098	 2900 SPAFFORD ST. DAVIS, CA 95616 530-757-4616
	SIGNATURES	DATE		

USER INTERFACE



COPYRIGHT 2001, Z-WORLD, INC.

NOV1, 2001

SIZE B	DWG NO. 090-0098
SCALE NONE	REV LTR
SHEET 2 OF 2	

X-ON Electronics

Largest Supplier of Electrical and Electronic Components

Click to view similar products for [Modules Accessories](#) category:

Click to view products by [Digi International](#) manufacturer:

Other Similar products are found below :

[7010-0001](#) [AX98219](#) [A1UL8RISER](#) [F1UJPMICRISER](#) [FHW1U16RISER](#) [20-101-0440](#) [2828736-1](#) [MBCDROM](#) [AX61221TM](#) [VM-105](#)
[EA CARREDIPTFT02](#) [AMO-R022E](#) [RK-210E-B](#) [E226171106](#) [88606200030E](#) [8816K6400A0E](#) [SI-HDMI-EDID-EM](#) [MIC-75M13-00A1E](#)
[FPM-1000T-SMKE](#) [AMK-R004E](#) [96FMCF-ST2ADAPTER1](#) [AHWKPTP12GBGB](#) [AXXSTCPUCAR](#) [FPK-07-R10](#) [Mini Din 6P to 6P](#)
[HARNESS](#) [881261510A0E](#) [AXXP3SWX08080](#) [conga-B7XD/CSP-Cu-B](#) [881281021A0E](#) [HFT for mounting KIT FN928X_FN929X](#) [BB-](#)
[MH112-1A](#) [15100600](#) [9-5000-1116](#) [70763](#) [98R3612003E](#) [881261910A0E](#) [106897](#) [48222R](#) [20926110901](#) [PYCASE GREEN](#) [PYCASE](#)
[BLUE](#) [20952000004](#) [DP-DVI-R10](#) [575-BBIS](#) [RACK-220GW/A130B](#) [492-BBKM](#) [IP411](#) [70760](#) [PICONYMPHGL](#) [106896](#)