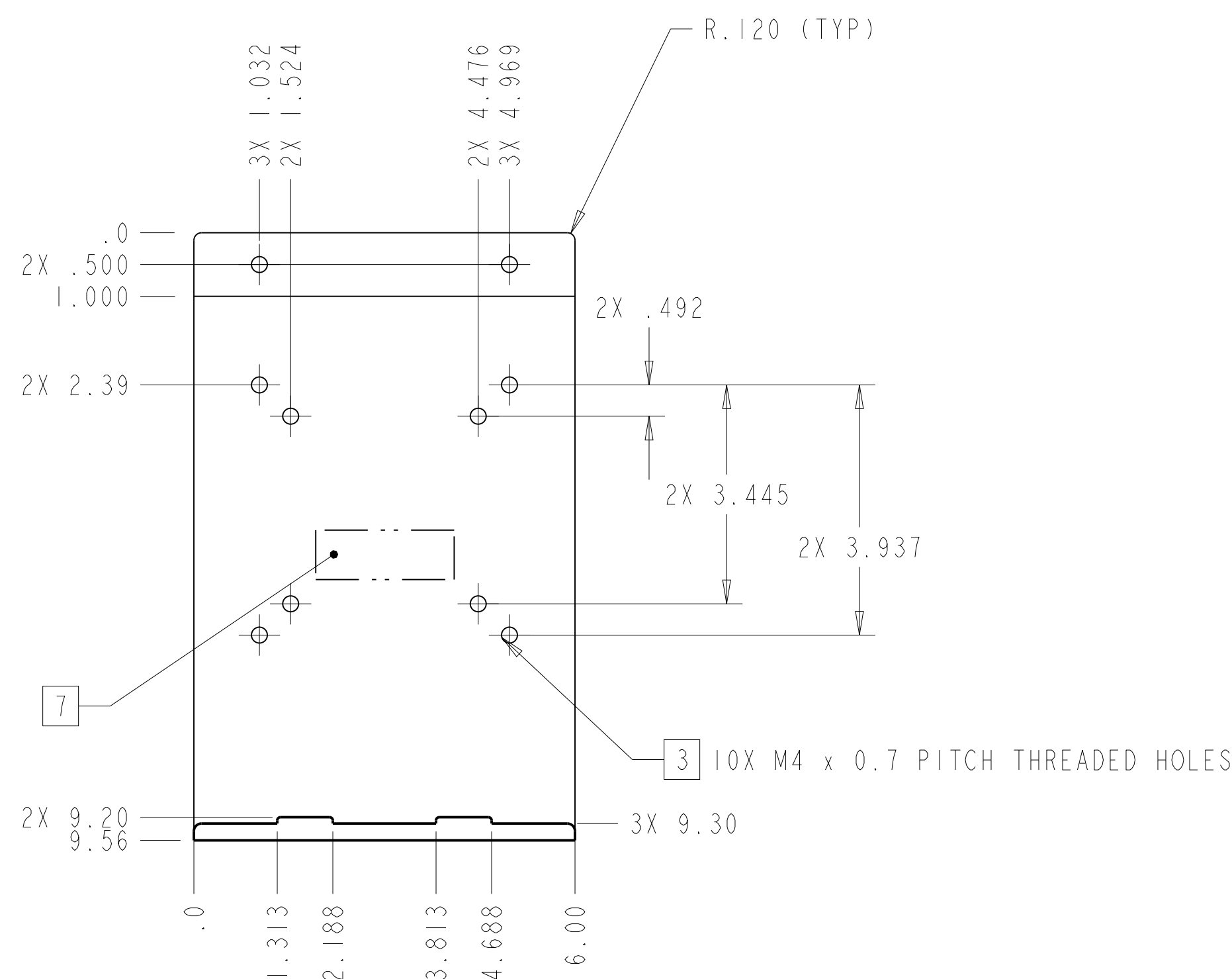


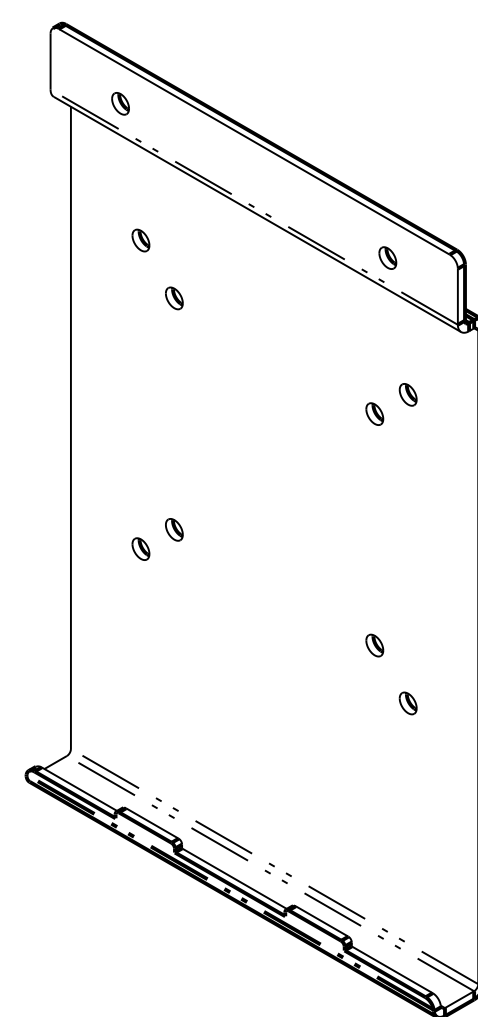
REV	ECO	DESCRIPTION	DATE	DRW/CHK
A		INITIAL RELEASE NPRO 103254	31MAR05	TJM/TJM
B	005558	UPDATE DIMENSION SCHEME AND TITLE BLOCK	28OCT14	TJM/MJL

NOTES: UNLESS OTHERWISE SPECIFIED

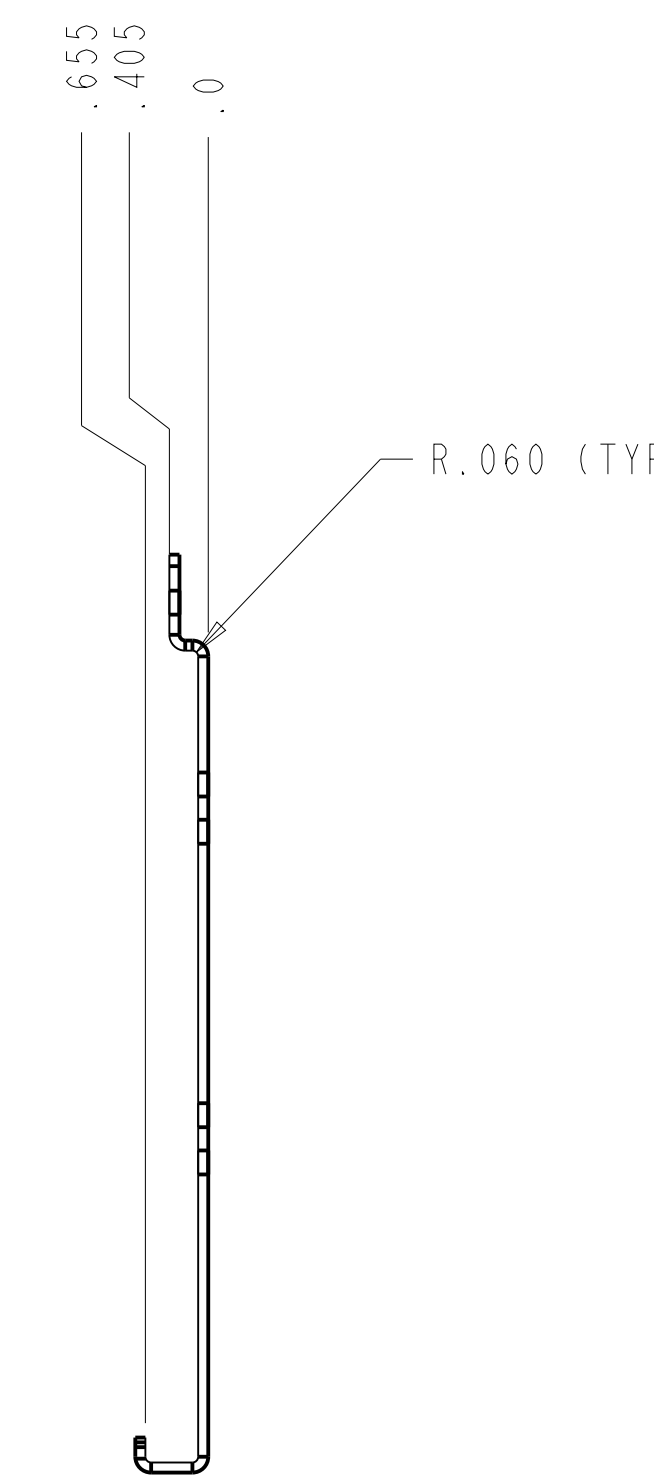
- MATERIAL: 0.1015" 10 GAUGE 5052-H32 ALUMINUM PER ASTM B209. CLEAR CHROMATE ELECTROPLATE .0002 THRU .0004 THICK.
- PAINT ALL EXTERIOR SURFACES UNLESS OTHERWISE SPECIFIED WITH THE FOLLOWING POWDER COAT:
 COLOR: WHITE RAL 9002
 CHEMISTRY: URETHANE
 PARTICLE SIZE: 45-60% THROUGH 325 MESH
 RECOMMENDED FILM THICKNESS: 2.0 - 3.0 MILS
 FINISHED TEXTURE SHALL BE LIGHT
 POWDER COAT CHIP WILL BE SUPPLIED UPON REQUEST
- NO PAINT ALLOWED.
- REMOVE BURRS AND SHARP EDGES PER STANDARD COMMERCIAL PRACTICE PRIOR TO COATING.
- DIMENSIONS OF FORM AND LOCATION APPLY TO PART IN THE UNRESTRAINED CONDITION.
- ALL BENDS R.063" MIN. ALL BENDS ARE 90° UNLESS OTHERWISE NOTED.
- STAMP, ETCH, OR ENGRAVE PART NUMBER, REVISION AND DATE CODE (YYWW) WITH .125" MINIMUM TALL CHARACTERS. LOCATE APPROXIMATELY AS SHOWN. PART MARKING SHALL BE CLEARLY VISIBLE AFTER FINISHING.
- FINISHED PART SHALL BE ROHS COMPLIANT PER 2011/65/EU. THE FACILITY PERFORMING THIS WORK SHALL PERFORM TESTS OR OBTAIN TESTING INFORMATION THAT CONFIRMS COMPLIANCE. TEST RECORDS SHALL BE MADE AVAILABLE UPON REQUEST.
- ALL COMPONENT SHIPMENTS TO INCLUDE CERTIFICATE OF CONFORMANCE. COC MUST STATE PARTS ARE BUILT TO DRAWING SPECIFICATIONS.




FRONT VIEW
SCALE 0.500



ISOMETRIC VIEW
FOR REFERENCE ONLY
SCALE 0.500



UNLESS OTHERWISE SPECIFIED		DESIGNER/ENGINEER: T. MILLER		DATE: 27-Oct-14		 11001 BREN ROAD EAST, MINNETONKA, MN 55343
ALL DIMENSIONS AND TOLERANCES ARE IN INCHES AND SHALL BE INTERPRETED PER ASME Y14.5M - 1994.		HW ENGINEER:		DATE: 27-Oct-14		
DRAWING TOLERANCES ARE AS FOLLOWS:		MFG/OPS: R. OLSEN		DATE: 27-Oct-14		SIZE D
FRACTIONS DECIMALS ANGLES ±1/64 .XX±.1 ±1° .XXX±.010		DRAFTER: T. MILLER		DATE: 27-Oct-14		CAGE CODE 08TP3
THIS DWG AND SPECIFICATION ARE THE PROPERTY OF DIGI INTERNATIONAL AND SHALL NOT BE REPRODUCED OR COPIED WITHOUT THEIR WRITTEN PERMISSION.		PRODUCT MANAGER		DATE: 27-Oct-14		DWG NO 60001099-01
				SCALE 1.000		REV B
				DO NOT SCALE DRAWING		SHEET 1 OF 1

X-ON Electronics

Largest Supplier of Electrical and Electronic Components

Click to view similar products for [Modules Accessories](#) category:

Click to view products by [Digi International](#) manufacturer:

Other Similar products are found below :

[7010-0001](#) [F1UL16RISER2](#) [PEX-CABLEAD-KIT-8732](#) [AX98219](#) [iRIS-1010-R10](#) [A1UL8RISER](#) [F1UJPMICRISER](#) [FHW1U16RISER](#) [20-101-0440](#) [MBCDROM](#) [AX61221TM](#) [VM-105](#) [1000-PM](#) [76000958](#) [XPC100A002-01-B](#) [690-1002](#) [96HD500G-ST-WD7KE](#) [AMO-R022E](#) [RK-210E-B](#) [cPCIS-6400UA/AC](#) [E226171106](#) [AX60501WB](#) [88606200030E](#) [96RACK-3-SS-CR-B1](#) [UTC-300P-M10E](#) [UNO-2000G-VMKAE](#) [SI-HDMI-EDID-EM](#) [96HD3T-ST-SG7K](#) [AMO-I013E](#) [S10A-93-S10A6-001](#) [PWS-870-UCOVER00E](#) [PWS-770-VMOUNT00E](#) [PWS-870-CHDC00E](#) [MIT-W101-ACCDSW01E](#) [MIC-75M40-00A1E](#) [MIC-75M13-00A1E](#) [FPM-1000T-SMKE](#) [ASMB-FF404-04A1E](#) [AMK-V008E](#) [AMK-V005E](#) [AMK-R004E](#) [9896025601E](#) [96HD1TB-ST-WD7KE1](#) [96FMCF-ST2ADAPTER1](#) [9680015843](#) [1960030475S200](#) [1931031500](#) [AHWKPTP12GBGB](#) [850-13106](#) [P4304XXMUXX](#)