

承 認 書
(SPECIFICATION FOR APPROVAL)

CUSTOMER : 肯創

MODEL : IG220053X00085R

DATE : Dec 29, 2014

SUPPLIER :

CUSTOMER :



祥儀企業股份有限公司
SHAYANG YE INDUSTRIAL CO.,LTD.

桃園縣桃園市桃鶯路 461 號
TEL:(03)3623452
FAX:(03)3628404
<http://www.shayye.com.tw>

NO.461, Taoying Rd., Taoyuan City,
Taoyuan County, Taiwan R.O.C.
E-MAIL:sales@shayye.com.tw

Technical Data

Part Number	IG220053X00085R	
Customer P/N		
ITEM	Specifications	Note
1. Operation Status		
1.1 Rated Voltage	6V D.C.	Stable power source 6mm from shaft end
1.2 Rated torque	0.69 kgf.cm	
1.3 Radial load	8N (0.8kg-f)	
1.4 Axial load	6N (0.6kg-f)	
1.5 Turning direction	Shaft horizontal	
1.6 Reverse direction	CW.CCW	
1.7 Using environment	Temperature -10~60 °C Humidity 20~85% RH	
1.8 Preserve environment	Temperature -20~60 °C Humidity 20~85% RH	
1.9 Using voltage range	6V (D.C.) $\pm 10\%$	
2. Electrical Characteristics		
2.1 No Load current	220 mA max.	
2.2 No Load speed	150 rpm $\pm 15\%$	
2.3 Rated current	480 mA	
2.4 Rated speed	125 rpm $\pm 15\%$	
2.5 Stall current	1.8 A	
2.6 Stall torque	4.1 kgf.cm	
2.7 Insulation	D.C. 500V meg. 1.0 M Ω min	Motor terminal shell
2.8 Durable voltage	100V (A.C.) ' 1 minute min	Motor terminal shell
2.9 Coil resistance	3.33 Ω	Reference
2.10 Torque constant	2.27 kgf.cm/A	Reference
2.11 Voltage constant	21.67 mV/r/min	Reference
3. Mechanical characteristic		
3.1 Reduction ratio	1/52.734	
3.2 Thrust play of shaft	0.2 mm max.	
3.3 Radial play of shaft	0.05 mm max.	
3.4 Back lash	3° max.	
3.5 Outside Appearance	No scratch defective...	By visual judgment
2. Life Cycle	72000 cycles min.	
	<p style="font-size: small;">The diagram illustrates a life cycle test waveform. It consists of a horizontal timeline starting with the label 'off'. The waveform shows four distinct pulses: a positive pulse labeled '5' with 'ccw' above it; a negative pulse labeled '5' with 'off' below it; a positive pulse labeled '5' with 'cw' below it; and another negative pulse labeled '5' with 'off' below it. A double-headed arrow at the bottom of the pulses indicates that the entire sequence of four pulses constitutes '1 cycle'.</p>	After the rated life cycle test current @ rated load must stay within $\pm 30\%$ of the initial value and r.p.m. @ rated load must stay within $\pm 20\%$ of the initial value. However change of mechanical noise level was not considered as part of the testing

ASSEMBLY, MAINTENANCE, OPERATION

1. Install: To avoid internal geared motor touched by overlong screws and caused defective. Please check screw size and length on external dimension drawing when installing geared motor into construction.
2. Reprocess: Heavy impact and vibration during reprocessing output shaft may cause loose screws and lead to unbalance gear operation. Please avoid reprocessing output shaft. Must to prevent overheat when weld wires into terminal and cause breakdown due to burnt internal geared motor parts.
Please do not overload the radial load limitation of output shaft when using belt pulley or chain pulley as power transmission. Please do not overload the axial load limitation of output shaft when pressing parts upon it as well.
3. Environment: The parts of geared motors or itself may corroded or damaged easier when using or maintaining in out of range environment. Must to pay close attention that gears may corroded even under an allowed environment in long term.
4. Impact: Must prevent geared motor from falling and impact, or the parts will get damaged, the screws will be loosed, and the gear operation will unbalance etc...
5. Locked out: Please well prepared current transmitting protection in case of burnt motor coil easy and damaged gear from locked out geared motor.
6. Output shaft Turning:
Please note that it is easier to damage gear when directly turning output shaft.
7. PWM controlling:
The graphite brush of motor will be abnormally wore out or the commutator interval will be blocked by carbon powder when using in the condition of D/T under 60%.
Moreover, please pay attention to the motor with capacitor due to there is ineffectual capacity cycle scope.
8. Momentary reverse:
The graphite brush will be abnormally wore out or coil getting aggravated when geared motor is reversed momentary.
Also, the commutator interval will be stuck if switch frequently.

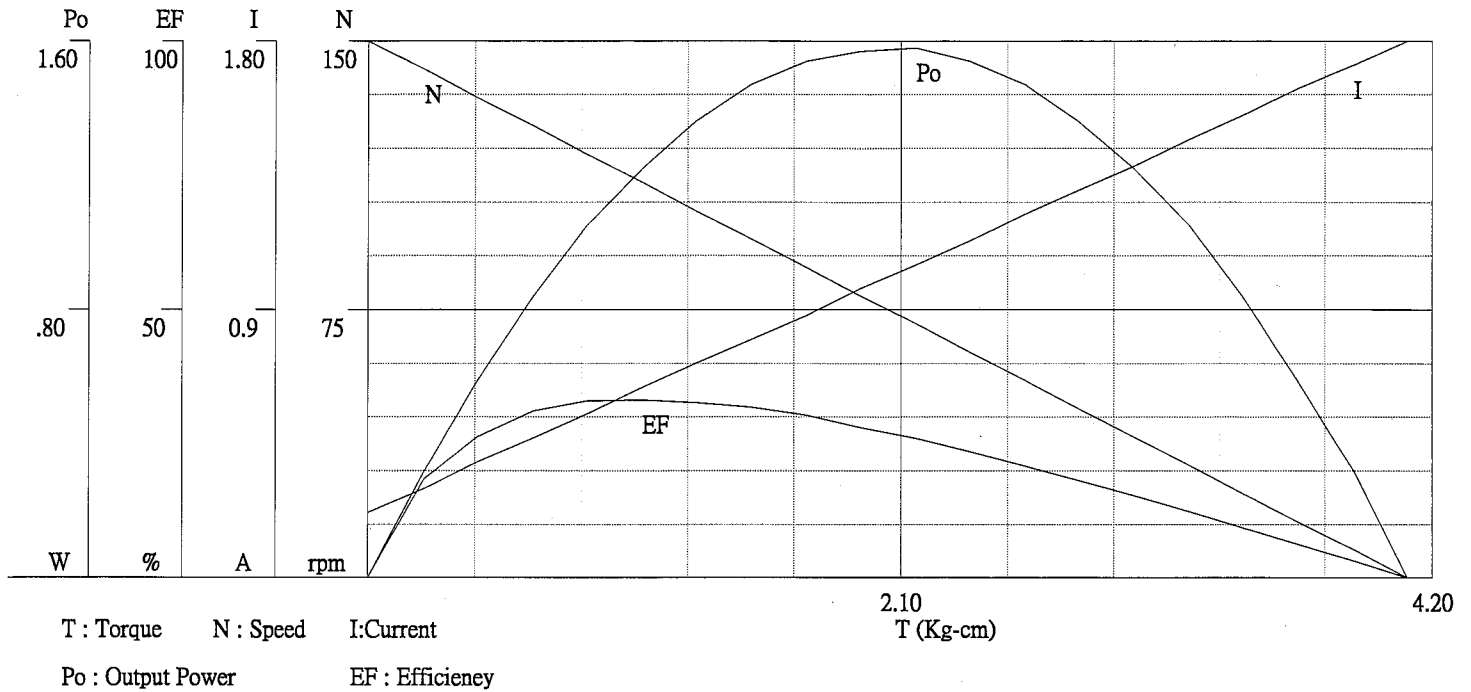
SHAYANG YE INDUSTRIAL CO.,LTD.

Mode: IG220053X00085R

S/N: 001

Voltage : 6 V

Date: 20141229



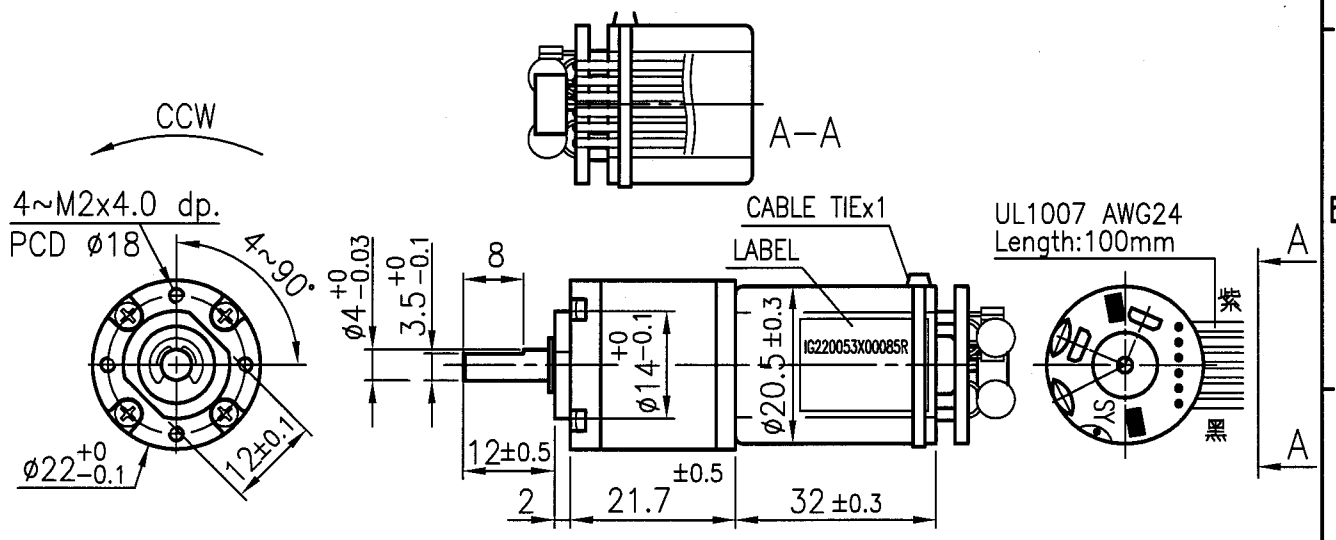
	T(N/m)	[Kg/cm]	N(rpm)	I(A)	Po(W)	EF(%)
No Load	0	0.00	150.00	.22	0	0
	.02	.22	142.04	.30	.32	18.56
	.06	.65	126.32	.47	.84	31.18
	.08	.86	118.41	.55	1.05	32.99
	.13	1.29	102.59	.72	1.36	32.75
	.15	1.51	94.82	.80	1.47	31.89
	.17	1.73	86.78	.88	1.54	30.4
	.19	1.94	78.98	.97	1.57	28.1
	.23	2.37	63.21	1.13	1.54	23.62
	.25	2.59	55.27	1.22	1.47	20.87
	.27	2.80	47.38	1.30	1.36	18.18
	.3	3.02	39.46	1.38	1.22	15.39
	.32	3.24	31.56	1.47	1.05	12.4
	.34	3.45	23.70	1.55	.84	9.4
	.38	3.89	7.90	1.72	.32	3.18
Stall	.4	4.10	0.00	1.80	0	0
Po...(max)	.21	2.16	71.09	1.05	1.58	26.06
EF...(max)	.11	1.08	110.51	.64	1.22	33.23

參考 REF.
估價 EVALUATE
試作 INITIAL
製作 MASS

Connections :

1. Black : -MOTOR
2. Red : +MOTOR
3. Brown : HALL SENSOR Vcc
4. Green : HALL SENSOR GND
5. Blue : HALL SENSOR A Vout
6. Purple : HALL SENSOR B Vout

JST PHR-6
P=2.0-6P



REDUCTION RATIO: 1/52.734
 OUTPUT SHAFT: STEEL
 MOTOR SPECIFICATION: 6V 8000RPM
 OUTPUT-150RPM/ $\leq 220\text{mA}$ WITH NO LOAD

核准
APPROVED BY

研發
2014.12.29
張慶隆

核對
CHECKED BY

軸徑 $\frac{0}{-}$ 孔徑 $\frac{+}{0}$ 長度, 角度 \pm -
 - 指定等級區分之數值公差

等級	區分	1~6	6~18	18~50	50~120	120~250	250~500	500~1000	角度
①級		0.1	0.2	0.3	0.4	0.5	0.6	0.8	1°
2級		0.2	0.4	0.6	0.8	1.2	1.6	2.0	2°
未標示孔徑公差		± 0.1				± 0.2			

1	新出圖		
設變單號 E.C.N.		設變單號 E.C.N.	

熱處理 HEAT TREATMENT		件名 PART NAME	GEARMOTOR		單位 UNITS	mm
表面處理 SURFACE		圖號 DWG.	IG220053X00069R		比例 SCALE	9/10
材質 MATERIAL						
重量 WEIGHT	$\times(g)$	頁次 SHEET	1/1			

祥儀企業股份有限公司
 SHA YANG YE INDUSTRIAL CO., LTD.

繪圖
DRAWIN BY

IG22

X-ON Electronics

Largest Supplier of Electrical and Electronic Components

Click to view similar products for [AC, DC & Servo Motors](#) category:

Click to view products by [Digilent](#) manufacturer:

Other Similar products are found below :

[79207644](#) [805470B40040MY](#) [80807028](#) [808070Y01125Z](#) [808550Y00049Z](#) [823055C10001MWY](#) [82520405](#) [82664024](#) [82802504](#)
[R88MK10030H](#) [M4E068-EC03-01](#) [M4E068-CF01-01](#) [79265119](#) [80510503](#) [805470A40040MY](#) [805470B40020MY](#) [80627003](#)
[808070Y00250Y](#) [808070Y83.33Y](#) [823055A20001MW](#) [825140A40010MP](#) [825290C43.75MX](#) [82714023](#) [82800003](#) [82830009](#) [82810017](#)
[R88M-K90010F-S2](#) [89830012](#) [82840003](#) [82840004](#) [82869011](#) [82524021](#) [82862202](#) [82869006](#) [82861013](#) [80803009](#) [80547015](#) [82862205](#)
[R88M-K40030T-B](#) [80527006](#) [82330514](#) [81021118](#) [82524004](#) [89800008](#) [82867009](#) [82662564](#) [82662515](#) [82600041](#) [82524008](#) [82524006](#)