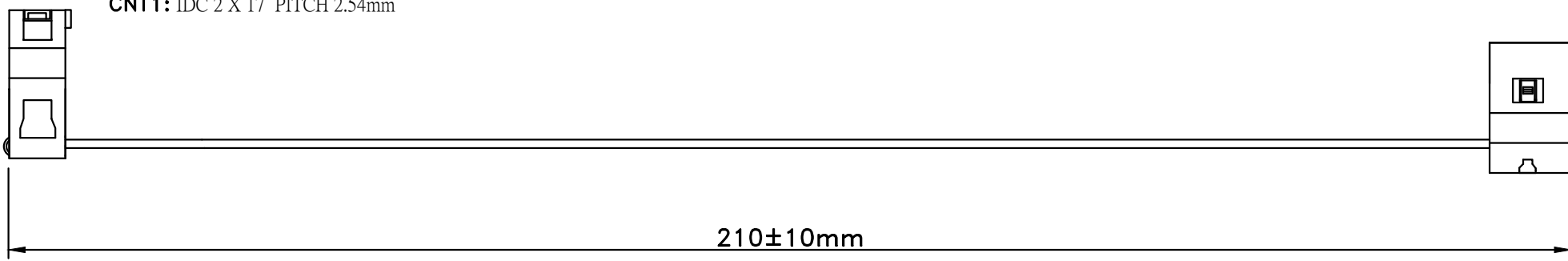


CNT2: IDC PIN 2 x 17 PITCH 2.54mm

CNT1: IDC 2 X 17 PITCH 2.54mm



- ELECTRICAL PROPERTIES:**
- 100% OPEN SHORT MIS-WIRE TEST
 - Contact Resistance: 2 ohm max
 - Insulation resistance: 10Mega ohm MIN
 - Hi-Pot: 300V DC/10ms

CNT 1:		CNT 2:
1	RED	1
2	GRAY	2
	↓	
33	GRAY	33
34	GRAY	34

NO.	DESCRIPTION	QTY	UNITS
3	CNT 2: IDC PIN 2 x 17 PITCH 2.54mm	1	PCS
2	CNT 1: IDC 2 X 17 PITCH 2.54mm	1	PCS
1	UL2561 28AWG PITCH 1.27mm 34C	1	PCS

Tolerance:	Approved by:	 SMOOTH CORD & CONNECTOR CO., LTD.	
X. ±	Checked by:		
.X ±	Drawn by:	customer p/n:	
.XX ±	Date:	IDC 34P / IDC PIN 34P	
.XXX ±	Scale: Unit:	Smooth p/n:	
X' ±	None m/m	Description:	
.X' ±		DWG NO:	
Specification Use Only		SHEET: 1/1	REV: B

X-ON Electronics

Largest Supplier of Electrical and Electronic Components

Click to view similar products for [Ribbon Cables / IDC Cables](#) category:

Click to view products by [Digilent](#) manufacturer:

Other Similar products are found below :

[FSK-12A](#) [AWG28-10G](#) [EHJ3C](#) [EHJ4C](#) [cab-LVDV-PWR-10-15](#) [FSP-25A](#) [3365/15 \(100FT\)](#) [cab-LVDV-DAT-34-15](#) [49635-C62-S2](#) [1-3636-600-5204](#) [92315-1408](#) [426171120-3](#) [3625/08 \(100M\)](#) [0044704](#) [2-1589735-3](#) [JSM015PP2DCC23N](#) [92301-0283](#) [ACL-eSSI-2](#) [92301-0718](#) [MMSDT-06-20-S-05.5-D-K-LDX](#) [IDD-04-G](#) [NM-2J2-051-PS1-JJAB](#) [1700/14SF \(100FT\)](#) [1700/26SF \(100FT\)](#) [1700/34SF \(100FT\)](#) [3801/09 \(100FT\)](#) [DS1057-06A282R-30.5](#) [DS1057-12A282R-30.5](#) [DS1057-14A282R-76.5](#) [DS1057-20A282R-76.5](#) [DS1057-24A282R-76.5](#) [DS1057-26A282R-76.5](#) [DS1057-30A282R-76.5](#) [DS1057-34A282R-76.5](#) [DS1057-40A282R-76.5](#) [DS1057-60A282R-76.5](#) [DS1057-64A282R-76.5](#) [DS1058-08M28-30.5](#) [DS1058-30M28-30.5](#) [3750/10 \(100FT\)](#) [0015712](#) [0015905](#) [S30109](#) [11203](#) [11223](#) [11243](#) [11262](#) [0037147](#) [0022512](#) [0022412](#)