

Electrical and Acoustical Parameter

Rated voltage (VDC)	6.0
Operating voltage (VDC)	4.0 – 8.0
Rated current (mA/max.) *	30
Sound pressure level (dBA/10cm/min.) *	90
Resonant Frequency (Hz/±300)	2200

Remark:

*Applying rated voltage

Mechanical, Environmental Parameter

Contact / Wire	Pin
Operating temperature (°C)	-20 to +70
Storage temperature (°C)	-30 to +80
Material housing	PPO
Color housing	Black
Component weight (g)	3.0

Remark:

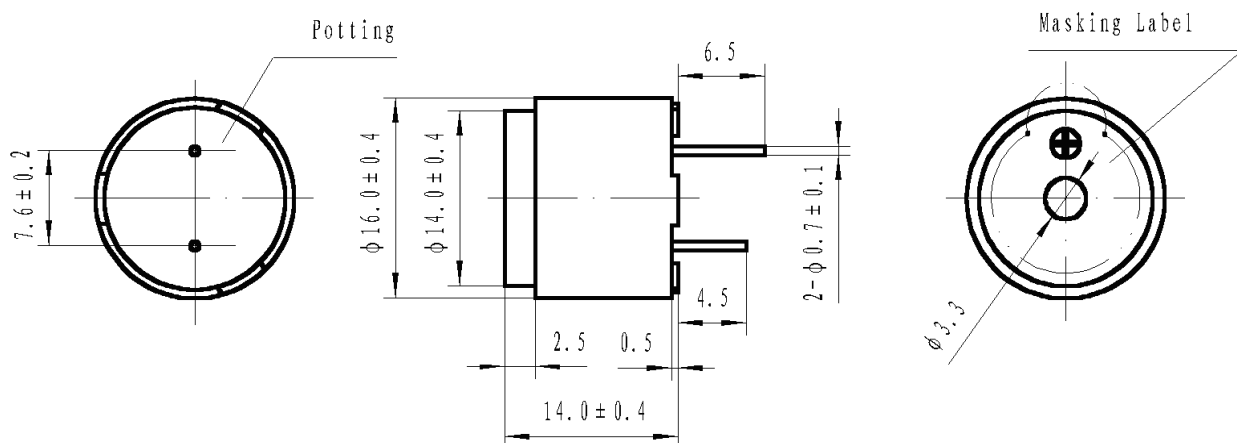
Approval

RoHs

UL

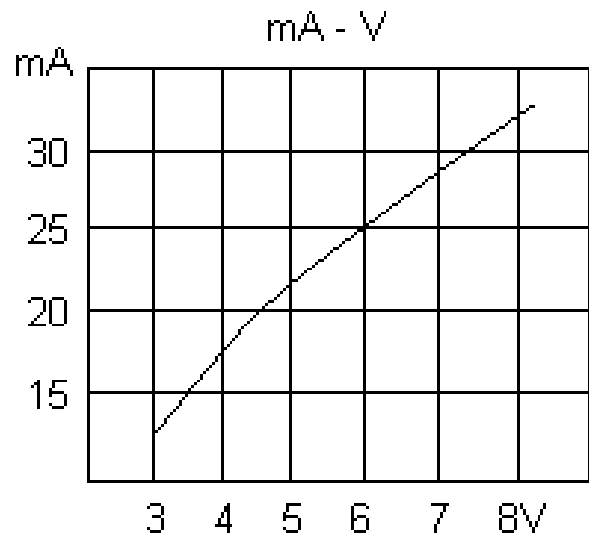
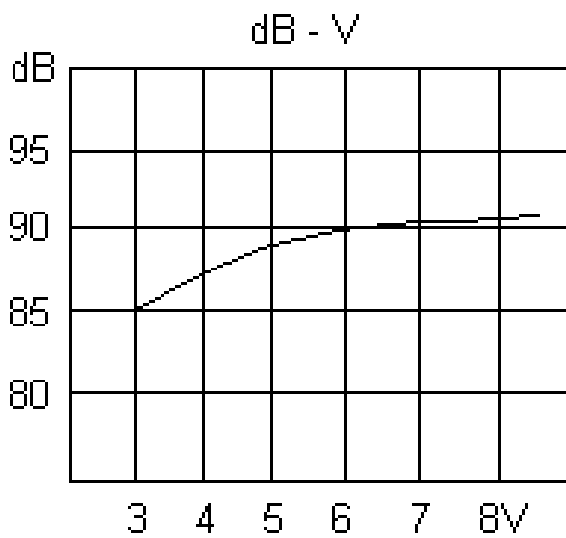
Drawing of Component

Unit:mm

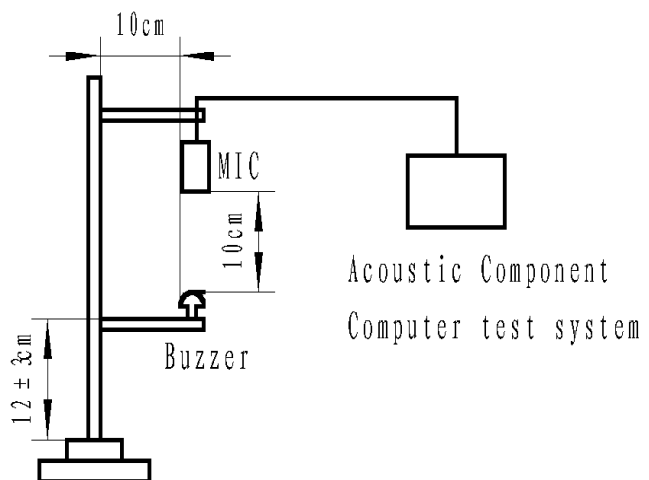
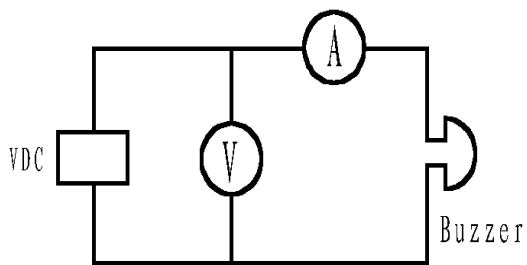


Designed by	KH	05.01.2012	Dimensions without tolerance ± 0.5 mm	Index: oo	Current date
Released by	BB	05.01.2012	Drawing number	120105.1PDB	
Changed by					
					Page 1 of 5

Input Voltage VS. Sound Pressure Level & Current Consumption



Test method



Designed by	KH	05.01.2012	Dimensions without tolerance ±0.5mm	Index: 00	Current date
Released by	BB	05.01.2012	Drawing number	120105.1PDB	05.01.2012
Changed by					Page 2 of 5

Reliability test

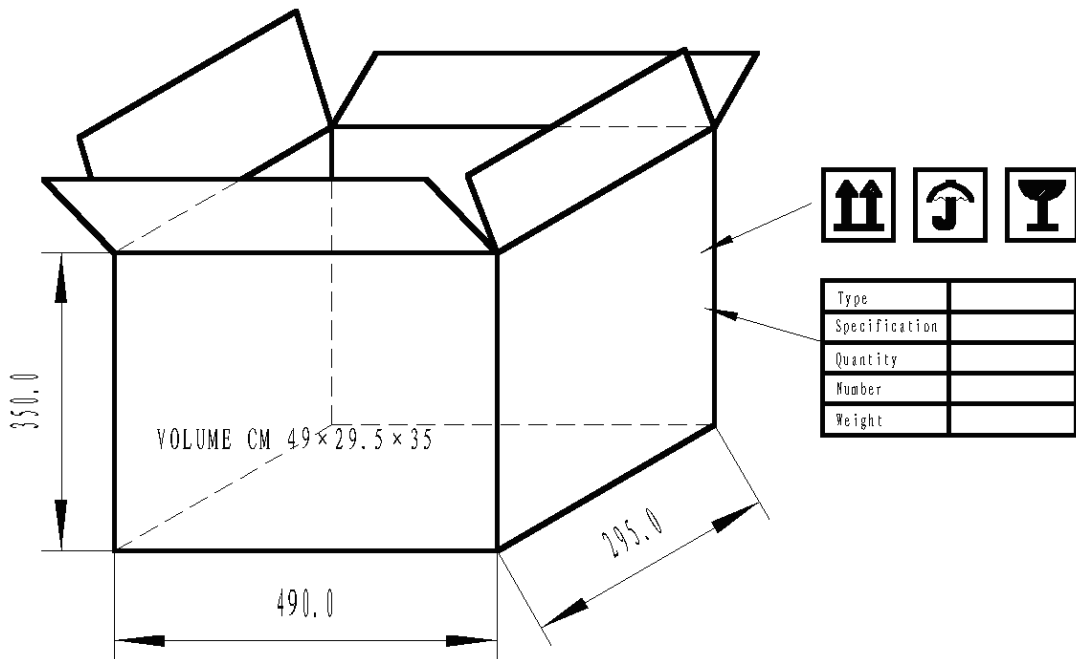
NO.	ITEM	TESTING CONDITION	VARIANCE AFTER TEST
1	Humidity	40±5°C, 93(+2/-3)%RH, 96HRS	Sound pressure level initial value±10dB Max. current value±10%mA Oscillating frequency value±300Hz.
2	High temp.	+75±2°C, 96HRS	
3	Low temp.	-30±2°C, 96HRS	
4	Temperature Cycling	-30±2°C, 30minutes room temp. 15 minutes +75±2°C, 30 minutes room temp. 15 minutes 5 cycles	
5	Drop test	3 times from height of 70cm onto the surface of 10mm thick wooden board.	
6	Vibration test	Make the test for the directions of X Y and Z (total 0.5 hours). To-and-fro. sweep time (from 10 to 55 Hz and then from 55 to 10Hz) under single amplitude of 1.0mm is 1 minute.	
7	Solder heat resistance	The part leads (pins) shall be immersed in molten solder maintained at 250±10°C for a period of 30 seconds.	

Recommended Temp. Profile for Reflow Oven (Fig.1)

n.a.

Designed by	KH	05.01.2012	Dimensions without tolerance ±0.5mm	Index: 00	Current date
Released by	BB	05.01.2012	Drawing number	<h1>120105.1PDB</h1>	
Changed by					
					Page 3 of 5

Packaging Information



NOTES:

1. 50 PCS per box
2. Total 40 boxes per carton
3. Total 2000 PCS carton
4. Volume: 49 × 29.5 × 35cm

Designed by	KH	05.01.2012	Dimensions without tolerance ±0.5mm	Index: 00	Current date
Released by	BB	05.01.2012	Drawing number	120105.1PDB	05.01.2012
Changed by					Page 4 of 5

X-ON Electronics

Largest Supplier of Electrical and Electronic Components

Click to view similar products for [Audio Indicators & Alerts](#) category:

Click to view products by [Digisound](#) manufacturer:

Other Similar products are found below :

[M2BJ-BH24E](#) [6-4](#) [68S1240-PA](#) [MBA-624](#) [F/BC 40P-DR LF](#) [FDG111PLF](#) [F/NRMB 24 BLACK LF](#) [PF-35N29WQ](#) [PFD-27A35PQ](#) [PL-27A35PSQ](#) [PS-531Q](#) [AB2020B-2-LW1](#) [EBPT-401](#) [PB06SD12AP](#) [PB-1220PEQ](#) [S6109](#) [SC2036ACP](#) [SC616N-2](#) [SC628FW](#) [SC628MPG](#) [SC648D](#) [SCS045MD9DT3S](#) [AB2025B-LW50-R](#) [ESZ-25B-5-250B](#) [F/BC 35-DR LF](#) [FCM12PLF](#) [F/EB20P-DR LF](#) [F/HU110MP24V-IP67B LF](#) [AI-2835-TF-LW150-2-R](#) [AI-4228-TF-LW305-R](#) [FSMD8585JSLF](#) [FSS-26T](#) [F/SU 21-02 LF](#) [F/TCW 05 WITH LABEL LF](#) [F/UCW 03 WITH LABEL LF](#) [F/UCW 06 WITH LABEL LF](#) [PKM22EPPH40S1-B0](#) [PKM35-4A0](#) [PL-35N29WQ](#) [PLD-27A35PQ](#) [PS-552Q](#) [CM-5](#) [M2BJ-BH24E-D](#) [REF-202](#) [LSC628ANR](#) [5-100](#) [PAL-328](#) [03-810.001](#) [RTO-1R07-001](#) [PL-21N31PQ](#) [PF-27A25PSQ](#)