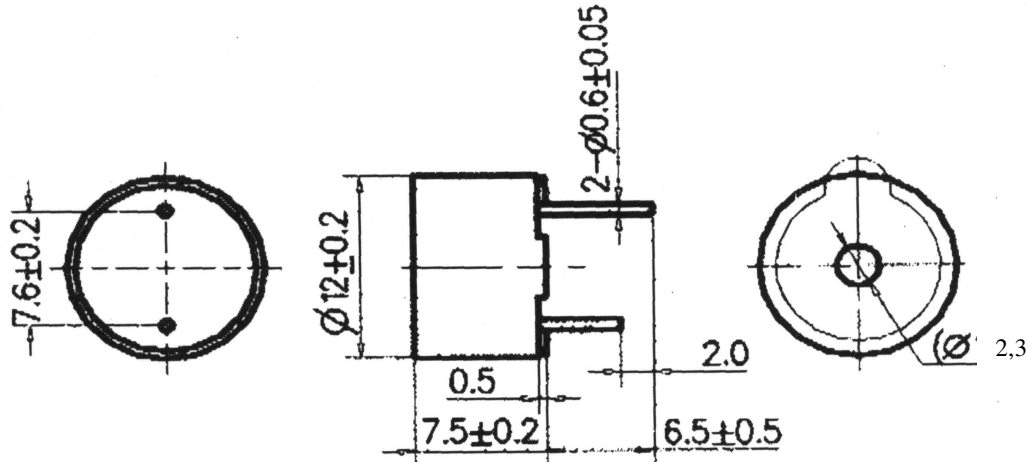


F/UCW03 LF

Technical terms *Technische Daten*

Rated Voltage <i>Nennspannung</i>	3V
Operating voltage <i>Betriebsspannungsbereich</i>	2...5V
a) Rated Current <i>Nennstrom</i>	≤30mA
a) Sound Output [SPL]at 10 cm <i>Schalldruckpegel] in 10 cm</i>	≥82dB
a) Resonant Frequency <i>Resonanzfrequenz</i>	2300 ± 400Hz
Operating Temperature <i>Betriebs-Temperatur</i>	-40 ...+85 °C
Storage Temperature <i>Lagerungs-Temperatur</i>	-40 ...+85 °C
Weight <i>Gewicht</i>	2g
a) Value applying rated voltage (DC) <i>Wert bei angelegter Nennspannung (DC)</i>	

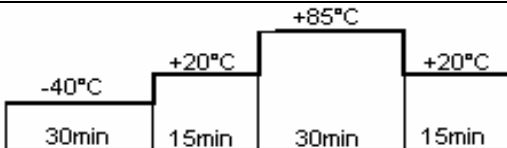
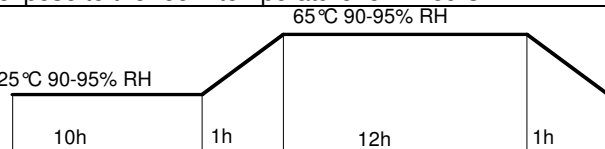
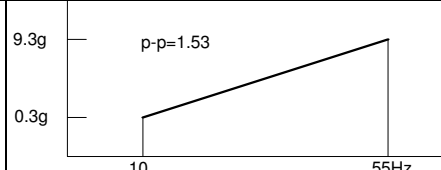
Drawing *Zeichnung*




Diese Zeichnung ist unser Eigentum. Vervielfältigung unbefugte Verwertung, Mitteilung an andere ist strafbar und Schadensersatzpflichtig

DIGISOUND	Halbzeug, Werkstoff				Untolerierte Maße	Zeichn.-Nr. 051102.1B
					Maßstab	Ersatz f. Zeichn. Page Blatt 1 of von 2
Vervielfält.-Pause Nr.	Tag	Name	And. zust.	And.-Mittlg. Nr.	Tag	Name
Arbeitspause Nr.	gezeichnet		1	Hole	26.06.06	FM
	bearbeitet	02.11.05	FM			
	geprüft					
	normgepr.					
F/UCW03 LF						

Reliability Zuverlässigkeit

Item	Method of test	Standard
Storage in high temperature	Storage in +85°C test box for 96hours, then expose to the room temperature for 2hours without applying power.	All specifications must be satisfied in this condition.
Storage in low temperature	Storage in -40°C test box for 96hours, then expose to the room temperature for 2hours without applying power.	All specifications must be satisfied in this condition.
Life test in room temperature	Operate continuously for 1000 hours with applying rated voltage.	All specifications must be satisfied in this condition.
Life test in high temperature	Operate continuously in +85°C for 500hours applying 6.5V.	All specifications must be satisfied in this condition.
Life test in low temperature	Operate continuously in -40°C for 500hours applying 4V.	All specifications must be satisfied in this condition.
Temperature cycle test	 <p>Make this test for 5 cycles without applying power, then expose to the room temperature for 2 hours.</p>	All specifications must be satisfied in this condition.
Humidity cycle test	 <p>Make this test for 5 cycles without applying power, then expose to the room temperature for 2 hours.</p>	All specifications must be satisfied in this condition.
Vibration test	 <p>Make this test for the directions X,Y and Z for 30minutes each. To- and -fro sweep time is 1min.</p>	All specifications must be satisfied in this condition.
Drop test	Drop a buzzer naturally from the height of 700mm to the surface of 10 mm thick woodenboard. Three directions (X,Y &Z)	All specifications must be satisfied in this condition.
Solderability	Temperature: 245 ± 5°C Duration: 3 sec After test minimum 95% coverage of surface	All specifications must be satisfied in this condition.
Resistance against solder-heat	No deterioration after dipping in solder 265±5°C for 10sec.	All specifications must be satisfied in this condition
Pin Strenght	Each Pin may withstand against pulling force of 1kg for 30seconds	All specifications must be satisfied in this condition

Diese Zeichnung ist unser Eigentum. Vervielfältigung unbefugte Verwertung, Mitteilung an andere ist strafbar und Schadensersatzpflichtig

	Halbzeug, Werkstoff		Untolerierte Maße		Zechn.-Nr. 051102.1B	
			Maßstab		Ersatz f. Zeichn. Page Blatt 2 of von 2	
Tag	Name	And. zust.	And.-Mittlg. Nr.	Tag	Name	F/UCW03 LF
gezeichnet		1	Hole	26.06.06	FM	
bearbeitet	02.11.05	FM				
geprüft						
normgepr.						

Vervielfält.-Pause Nr.

Arbeitspause Nr.

X-ON Electronics

Largest Supplier of Electrical and Electronic Components

Click to view similar products for [Audio Indicators & Alerts](#) category:

Click to view products by [Digisound](#) manufacturer:

Other Similar products are found below :

[M2BJ-BH24E](#) [6-4](#) [68S1240-PA](#) [MBA-624](#) [F/BC 40P-DR LF](#) [FDG111PLF](#) [F/NRMB 24 BLACK LF](#) [PF-35N29WQ](#) [PFD-27A35PQ](#) [PL-27A35PSQ](#) [PS-531Q](#) [AB2020B-2-LW1](#) [EBPT-401](#) [PB06SD12AP](#) [PB-1220PEQ](#) [S6109](#) [SC2036ACP](#) [SC616N-2](#) [SC628FW](#) [SC628MPG](#) [SC648D](#) [SCS045MD9DT3S](#) [AB2025B-LW50-R](#) [ESZ-25B-5-250B](#) [F/BC 35-DR LF](#) [FCM12PLF](#) [F/EB20P-DR LF](#) [F/HU110MP24V-IP67B](#) [LF](#) [AI-2835-TF-LW150-2-R](#) [AI-4228-TF-LW305-R](#) [FSMD8585JSLF](#) [FSS-26T](#) [F/SU 21-02 LF](#) [F/TCW 05 WITH LABEL LF](#) [F/UCW 03 WITH LABEL LF](#) [F/UCW 06 WITH LABEL LF](#) [PKM22EPPH40S1-B0](#) [PKM35-4A0](#) [PL-35N29WQ](#) [PLD-27A35PQ](#) [PS-552Q](#) [CM-5](#) [M2BJ-BH24E-D](#) [REF-202](#) [LSC628ANR](#) [5-100](#) [PAL-328](#) [03-810.001](#) [RTO-1R07-001](#) [PL-21N31PQ](#) [PF-27A25PSQ](#)