

Twisted Pair Outdoor Patch Cable - Category 6 Class E - S/FTP



✓ UV-, acid-, alkali-, corrosion resistant

✓ black colored LDPE outer sheath

✓ with drain wire

✓ Kink prot., strain relief, latch prot.

Abstract

CAT 6, Class E, S/FTP, Twisted Pair Outdoor Patch Cable, Cu, LDPE, AWG 27/7, various lengths available

Features

- 2x RJ45 (8P8PC) connectors
- Boots with kink protection, strain relief and latch protection
- Length marking on boot
- Conductor: Cu (Copper)
- Shielding: S/FTP (complete braid shielding, pairs foil shielded); incl. drain wire
- Structure: 4x 2 AWG 27/7, twisted pair
- Sheath: LD-PE (Polyethylene)
- PoE+ compatible
- UV resistant, acid- & alkali resistant, corrosion resistant

Product Overview

The DIGITUS[®] Category 6 Class E patch cables are manufactured and tested to the ISO/IEC 11801 and DIN EN 50173 Category 6 specifications. They will guarantee the installed cabling system is compliant with the ISO & EN channel specification requirements and will provide optimum performance levels of DIGITUS[®] Category 6 cabling. The performance is tested up to 250 MHz inclusive performance characteristics such as near end cross talk ("NEXT").

DIGITUS[®] patch cables are designed and produced to fulfill the highest requirements of various application areas in full volume.

Each cable is fitted with a molded boot which comes with kink protection and strain relief.

Furthermore the boot is equipped with a latch protection that prevents the latching lever against breaking.

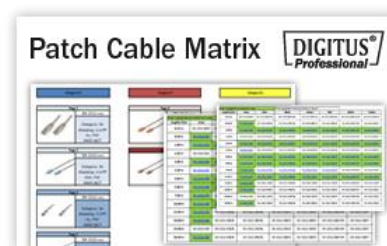
With its UV resistant PE sheath, this outdoor patch cable will ensure a secure installation in areas with a lot of temperature fluctuation and sun expose. Furthermore the drain wire will work as a lightning arrester.

Patch Cable Matrix and Configuration

Patch cables can be wide-ranging. Therefore we prepared a complete overview of our range, which guides you to the cable you require.

One E-Mail or one call will be enough and we will send you the latest version as a PDF file.

You can also check our Patch Cable Configuration tool on our website www.digitus-professional.com



Performance- and Specification Overview

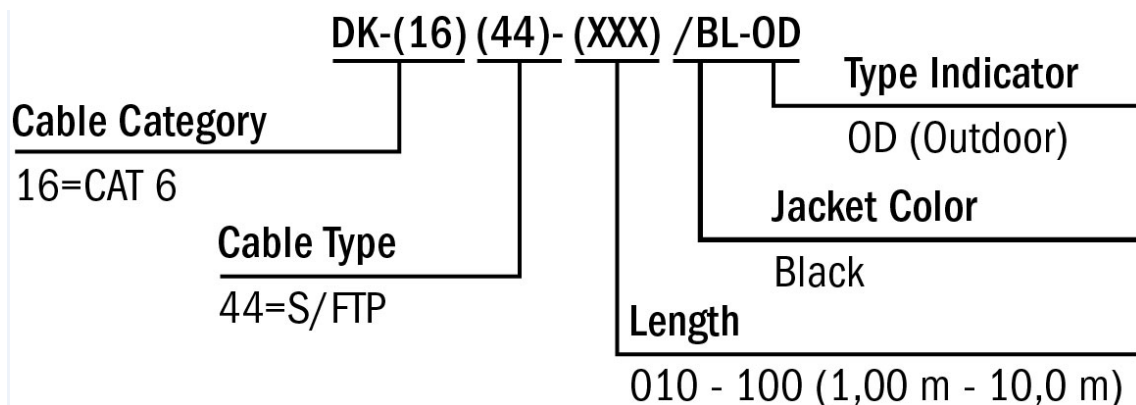
| | |
|------------------------|--|
| Conductor | Stranded AWG 27/7 bare copper, 0.127 ± 0.005 mm |
| Insulations | FO-PE (Foamed Polyethylene) |
| Outer sheath | LD-PE (Low Density Polyethylene) |
| Overall diameter | 5.4 mm ± 0.30 mm |
| Bending radius | 15x OD |
| RJ45 connector | 3 µ nominal gold flash over 60 µ nickel undercoat contact pins |
| Color code | Orange x White, Green x White, Blue x White, Brown x White |
| Wiring standard | EIA/TIA 568B |
| Pin assignment | 1:1 |
| Durability | 750 insertion cycles |
| Contact resistance | 30 mΩ maximum |
| Resistance unbalance | 3% maximum |
| Dielectric strength | 2500 VDC for 3 seconds |
| Uninsulated resistance | 150 MΩ/km minimum |
| Operating temperature | -20 °C up to +60 ° |
| NVP | 76% |
| Typical applications | IEEE 802.3: 10BASE-T; 100BASE-T; 1000BASE-T |
| Norms | ISO/IEC 11801-1; EN-50173; ANSI/TIA 568-C; EN 60603-7-5 |
| Marking | Brand name and cable information by label and printing |

Transmission Properties

| Freq. | Insertion Loss | NEXT | RL | ACR-N | ACR-F | PS NEXT | PS ACR-N | PS ACRF |
|--------|----------------|-------|-------|-------|-------|---------|----------|---------|
| MHz | dB | dB | dB | dB | dB | dB | dB | dB |
| 1.00 | 4.00 | 65.00 | 19.00 | 61.00 | 63.30 | 62.00 | 58.00 | 60.30 |
| 10.00 | 6.60 | 56.60 | 19.00 | 50.00 | 43.30 | 54.00 | 47.40 | 40.30 |
| 20.00 | 9.30 | 51.60 | 17.50 | 42.30 | 37.20 | 49.00 | 39.70 | 34.20 |
| 25.00 | 10.50 | 50.00 | 17.00 | 39.60 | 35.30 | 47.30 | 36.90 | 32.30 |
| 62.50 | 16.90 | 43.40 | 14.00 | 26.50 | 27.30 | 40.60 | 23.70 | 24.30 |
| 100.00 | 21.70 | 39.90 | 12.00 | 18.20 | 23.30 | 37.10 | 15.40 | 20.30 |
| 200.00 | 31.70 | 34.80 | 9.00 | 3.10 | 17.20 | 31.90 | 0.10 | 14.20 |
| 250.00 | 35.90 | 33.10 | 8.00 | -2.80 | 15.30 | 30.20 | -5.80 | 12.30 |

The results of the chart above are typical for Category 6, Class E patch cables 2 m, 5 m up to 10 m length

Product Number Information

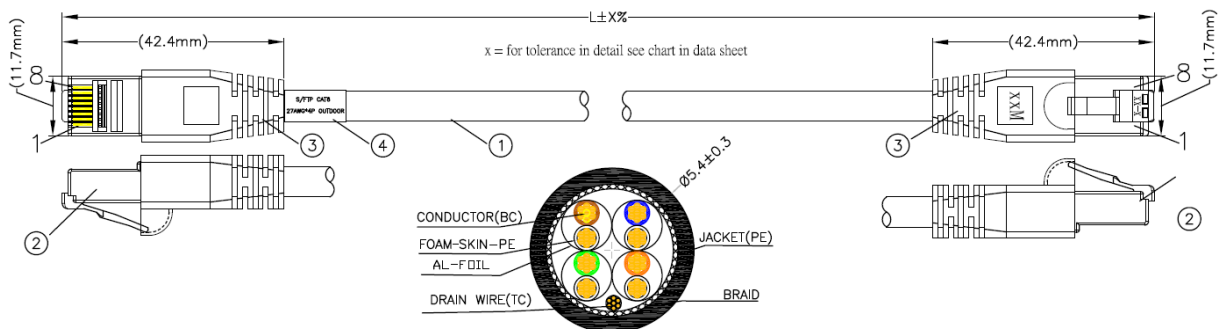


Length Tolerances

| Length (m) | Tolerance (mm) | Length (m) | Tolerance (mm) |
|------------|----------------|------------|----------------|
| 0.15 | +20/-6 | 8 | +/-155 |
| 0.25 | +20/-6 | 10 | +/-200 |
| 0.5 | +20/-10 | 12 | +/-250 |
| 0.75 | +20/-13 | 13 | +/-270 |
| 1 | +/-20 | 15 | +/-310 |
| 1.5 | +/-30 | 20 | +/-400 |
| 2 | +/-40 | 25 | +/-500 |
| 2.5 | +/-50 | 30 | +/-630 |
| 3 | +/-60 | 40 | +/-840 |
| 4 | +/-90 | 50 | +/-1000 |
| 5 | +/-110 | 70 | +/-1300 |
| 6 | +/-120 | 75 | +/-1500 |
| 7 | +/-140 | 100 | +/-1800 |
| 7.5 | +/-150 | | |

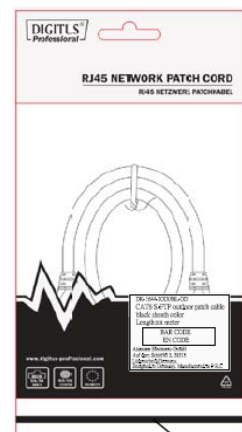
* The cable length is measured from plug A to plug B

Technical Drawing



MATERIAL LIST:

| NO. | PARTS NAME | SPECIFICATION DESCRIPTION |
|-----|----------------|---|
| ① | CABLE | S/FTP [27AWG(BC 7/0.127±0.005)*1PR+A]*4+D(TC)+B(AL-MG)+LD-PE OD:5.4±0.3mm COLOR:BLACK |
| ② | RJ45 CONNECTOR | RJ45,8P8C,TWO FORK GOLD PLATED CONTACTS WITH METAL HOUSING |
| ③ | MOLDING PVC | MOLDING PVC 45P COLOR:BLACK |
| ④ | LABEL | SPECIFICATION:55*40mm |



Heat Seal

X-ON Electronics

Largest Supplier of Electrical and Electronic Components

Click to view similar products for [Ethernet Cables / Networking Cables](#) category:

Click to view products by [Digitus](#) manufacturer:

Other Similar products are found below :

[73-6670-7](#) [73-6680-15](#) [73-7797-25](#) [MCJB2-10P6Q7-120](#) [84909-0204](#) [1200700174](#) [1200860368](#) [1410147](#) [E16A06002M030](#) [E200102-009-S1](#) [AX105346-EW](#) [MT14-187L](#) [17-103530](#) [ERWPAB3002M005](#) [190-038045-01](#) [NK5EPC18RDY](#) [NK5EPC18VLY](#) [NK5EPC18YLY](#) [NK5EPC1GRY](#) [NK5EPC4Y](#) [NK5EPC6YLY](#) [NK5EPC8BLY](#) [NK5EPC9YLY](#) [1969343-6](#) [C501100010](#) [C501106002](#) [C501106007](#) [C501106015](#) [C501106025](#) [C601102010](#) [C601104010](#) [C601106007](#) [C601106015](#) [2142758-2](#) [2168427-2](#) [CAT1106007](#) [21949-1](#) [2J1866A](#) [RJF SFTP 5E 0500](#) [AX100351](#) [MN14CEC/ST](#) [C501100015](#) [C501106004](#) [C501106010](#) [C5F1108007](#) [C601104004](#) [C601106004](#) [CA21106004](#) [CA21106010](#) [CA21109007](#)