

Description

The AH3712 is a high-voltage, high-sensitivity, Hall-effect latch IC designed for commutation of brushless DC motors, flow meters, linear encoders, and position sensors in industrial and consumer home appliances and personal care applications. To support a wide range of demanding applications, the design is optimized to operate over a 3.0V to 27V supply range. With chopper-stabilized architecture and an internal bandgap regulator to provide temperature-compensated supply for internal circuits, the AH3712 provides a reliable solution over the whole operating range. The output also has an overcurrent limit.

The single open-drain output can be switched on with a South pole of sufficient strength and switched off with a North pole of sufficient strength. When the magnetic-flux density (B) perpendicular to the package is larger than the operate point (B_{OP}), the output is switched on (pulled low). The output is held and latched until magnetic-flux density reverses and becomes lower than the release point (B_{RP}).

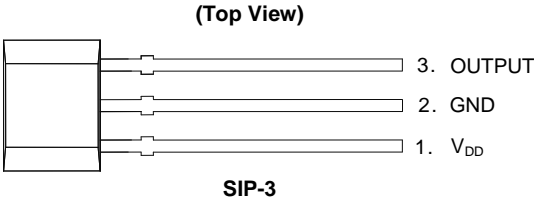
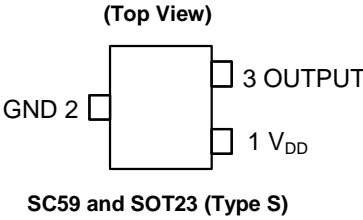
Features

- Bipolar Latch
 - AH3712/AH3712A: South Pole On, North Pole Off
 - AH3712B: South Pole Off, North Pole On
- 3.0V to 27V Operating Voltage Range
- Load Dump Voltage Up to 40V
- High Sensitivity: B_{OP} and B_{RP} of $\pm 25G$ Typical
- Resistant to Physical Stress
- Single Open-Drain (AH3712, AH3712B) or Internal Pull-Up Resistor (AH3712A)
- Output Polarity:
 - Direct: AH3712, AH3712A
 - Inverted: AH3712B (*Future product)
- Output with Overcurrent Limit
- Chopper-Stabilized Design Provides
 - Superior Temperature Stability
 - Minimal Switch-Point Drift
 - Enhanced Immunity to Stress
- Good RF Noise Immunity
- -40°C to +125°C Operating Temperature
- ESD HBM: 8kV, CDM: 1kV
- Industry-Standard SC59, SOT23 (Type S), and SIP-3 Packages
- **Totally Lead-Free & Fully RoHS Compliant (Notes 1 & 2)**
- **Halogen and Antimony Free. "Green" Device (Note 3)**
- **An automotive-compliant part is available under separate datasheet ([AH3712Q](#))**

Notes:

1. No purposely added lead. Fully EU Directive 2002/95/EC (RoHS), 2011/65/EU (RoHS 2) & 2015/863/EU (RoHS 3) compliant.
2. See <https://www.diodes.com/quality/lead-free/> for more information about Diodes Incorporated's definitions of Halogen- and Antimony-free, "Green" and Lead-free.
3. Halogen- and Antimony-free "Green" products are defined as those which contain <900ppm bromine, <900ppm chlorine (<1500ppm total Br + Cl) and <1000ppm antimony compounds.

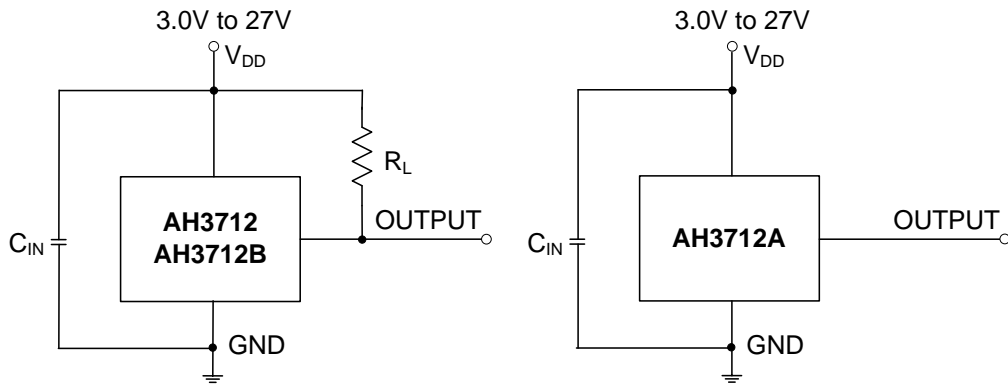
Pin Assignments



Applications

- Brushless DC motor commutation
- Revolutions per minute (RPM) measurements
- Flow meters
- Angular and linear encoders and position sensors
- Contactless commutation, speed measurements, and angular position sensing/indexing in consumer home appliances, office equipment, and industrial applications

Typical Applications Circuit (Note 4)



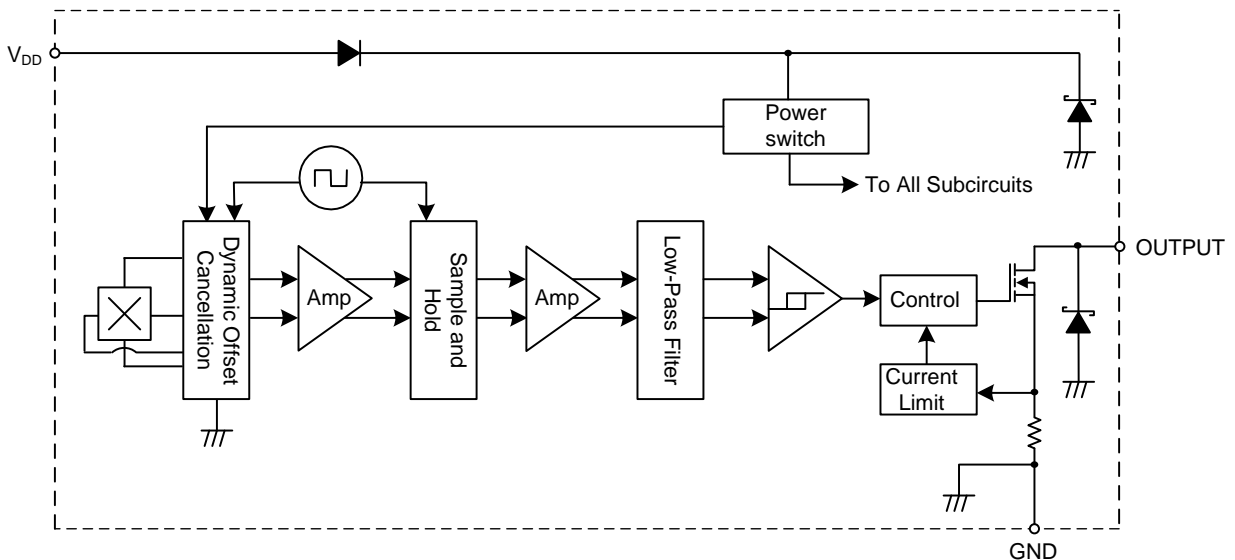
Note: 4. C_{IN} is for power stabilization and to strengthen the noise immunity, the recommended capacitance is 10nF ~ 100nF. R_L is the pull-up resistor.

Pin Descriptions

Package: SOT23, SC59 and SIP-3

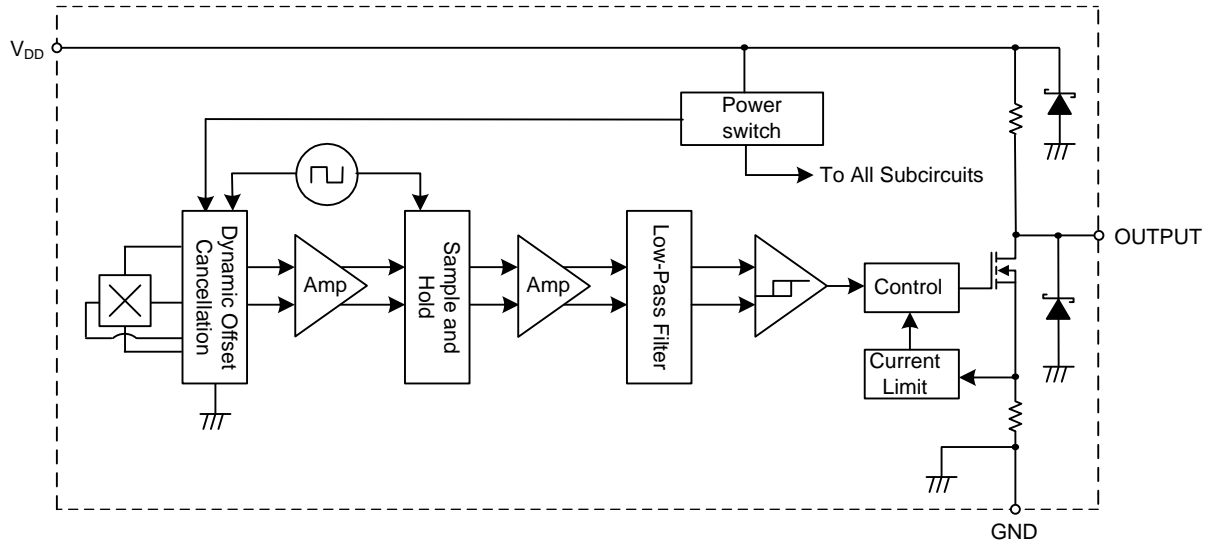
Pin Number	Pin Name	Function
1	V _{DD}	Power Supply Input
2	GND	Ground
3	OUTPUT	Output Pin

Functional Block Diagram



AH3712, AH3712B

Functional Block Diagram (continued)



AH3712A

Absolute Maximum Ratings (Notes 5, 6) (@T_A = +25°C, unless otherwise specified.)

Symbol	Characteristic	Value	Unit
V _{DD}	Supply Voltage (Note 6)	40	V
V _{DDR}	Reverse Supply Voltage (AH3712 Only)	-18	V
V _{OUT_MAX}	Output Pin Voltage (Note 6)	40	V
I _{OUT}	Output Current Sink	60	mA
I _{OUT_R}	Reverse Output Current	-50	mA
B	Magnetic Flux Density	Unlimited	
P _D	Package Power Dissipation	SIP-3	550
		SC59 and SOT23 (Type S)	230
T _S	Storage Temperature Range	-65 to +165	°C
T _J	Maximum Junction Temperature	+150	°C
ESD HBM	Electrostatic Discharge Withstand Capability—Human Body Model	8	kV
ESD CDM	Electrostatic Discharge Withstand Capability—Charged Device Model	1	kV

- Notes:
- Stresses greater than the *Absolute Maximum Ratings* specified above can cause permanent damage to the device. These are stress ratings only; functional operation of the device at these or any other conditions exceeding those indicated in this specification is not implied. Device reliability may be affected by exposure to absolute maximum rating conditions for extended periods of time.
 - The absolute maximum V_{DD} of 40V is a transient stress rating and is not meant as a functional operating condition. It is not recommended to operate the device at the absolute maximum-rated conditions for any period of time.

Recommended Operating Conditions (@T_A = -40°C to +125°C, unless otherwise specified.)

Symbol	Parameter	Conditions	Rating	Unit
V _{DD}	Supply Voltage	Supply voltage, between VDD and GND pins	3.0 to 27	V
T _A	Operating Temperature Range	Operating ambient temperature range	-40 to +125	°C

Electrical Characteristics (Notes 7, 8) (@ $T_A = -40^{\circ}\text{C}$ to $+125^{\circ}\text{C}$, $V_{DD} = 3\text{V}$ to 27V , $C_{IN} = 0.1\mu\text{F}$ unless otherwise specified.)

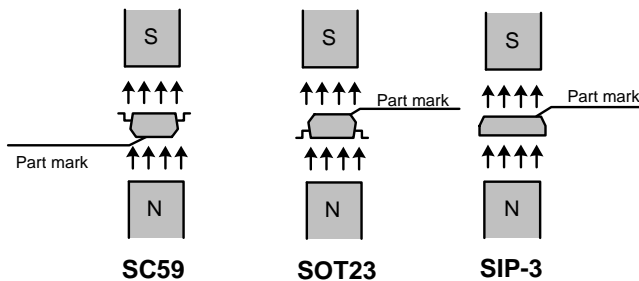
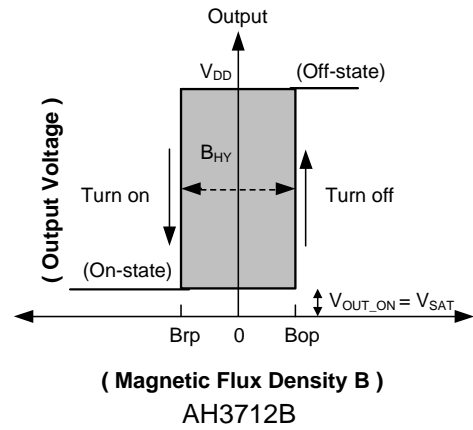
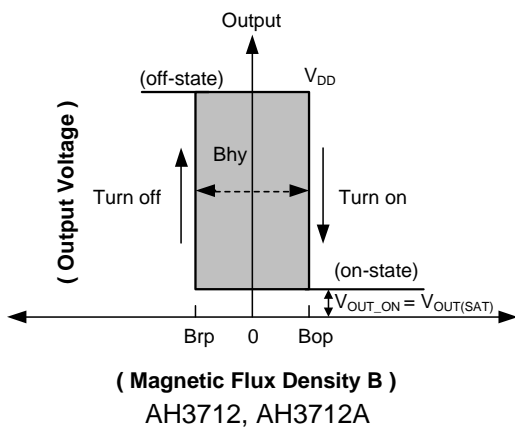
Symbol	Parameter	Conditions	Min	Typ	Max	Unit
V_{OUT_ON}	Output On Voltage	$I_{OUT} = 20\text{mA}$, Output on	—	0.25	0.42	V
I_{OUT_OFF}	Output Leakage Current	$V_{OUT} = 27\text{V}$, Output off	—	<0.1	10	μA
I_{DD}	Supply Current	Output off $T_A = +25^{\circ}\text{C}$	—	2.8	3.8	mA
		Output off $T_A = -40^{\circ}\text{C}$ to $+125^{\circ}\text{C}$	—	2.8	4.8	mA
I_{DD_R}	Reverse Battery Current (AH3712/AH3712B)	$V_{DD} = -18\text{V}$, $T_A = -40^{\circ}\text{C}$ to $+125^{\circ}\text{C}$	—	0.001	1.2	mA
R_{PU}	Internal Pull-Up Resistance (AH3712A only)	$T_A = -40^{\circ}\text{C}$ to $+125^{\circ}\text{C}$	10	14	18	k Ω
t_{ST}	Device Start-Up Time	$V_{DD} \geq 3\text{V}$, $B > B_{OP} + 10\text{Gs}$ or $B < BRP - 10\text{Gs}$ (Note 7)	—	13	—	μs
f_c	Chopping Frequency	$V_{DD} \geq 3\text{V}$ (Note 8)	—	500	—	kHz
t_d	The time delay from magnetic threshold reached to the start of the output rise or fall	$B > 3 \cdot B_{OP_MAX}$, square wave magnetic field (Note 8)	—	10	—	μs
t_r	Output Rising Time (external pull-up resistor R_L and load capacitance dependent)	$R_L = 1\text{k}\Omega$, $C_L = 20\text{pF}$	—	0.1	1	μs
t_f	Output Falling Time (Internal switch resistance and load capacitance dependent)	$R_L = 1\text{k}\Omega$, $C_L = 20\text{pF}$	—	0.3	1	μs
I_{OCL}	Output Current Limit	Output on (Note 9)	30	—	60	mA
V_Z	Zener Clamp Voltage	$I_{DD} = 8\text{mA}$, $T_A = +25^{\circ}\text{C}$, Output off	36	—	—	V

- Notes:
- When power is initially turned on, V_{DD} must be within its correct operating range (3.0V to 27V) to guarantee the output sampling. The output state is valid after the start-up time of 13 μs typical from the operating voltage reaching 3V. The VCC slew rate must exceed 3V/ μs from 0 to 3V. A slower slew rate through the specific range may affect device performance.
 - Typical values are defined at $T_A = +25^{\circ}\text{C}$, $V_{DD} = 12\text{V}$. Maximum and minimum values over the operating temperature range is not tested in production but guaranteed by design, process control and characterization
 - The device limits the output current I_{OUT} to current limit of I_{OCL} .

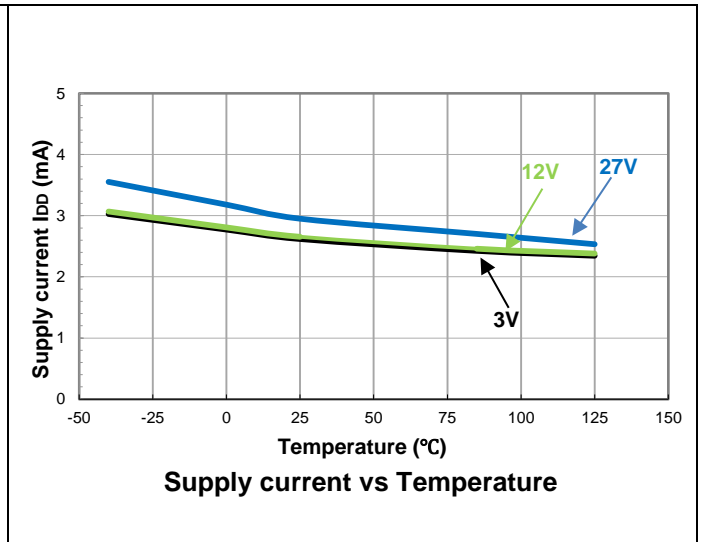
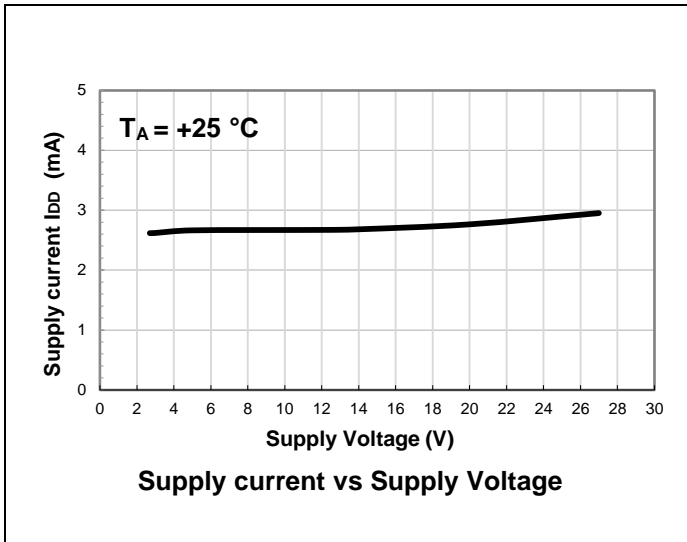
Magnetic Characteristics (Note 10) ($T_A = -40^{\circ}\text{C}$ to $+125^{\circ}\text{C}$, $V_{DD} = 3.0\text{V}$ to 27V , unless otherwise specified)

Part Number	Symbol	Parameter	Min	Typ	Max	Unit	Output Polarity	Output Type
AH3712 / AH3712A	B_{OP} (South pole to part-marking side for SOT23 and SIP-3, South pole to non-part marking side for SC59. See diagram below)	Operation Point	10	25	40	Gauss	Direct	Open-Drain / Internal Pull-up Resistor
	B_{RP} (North pole to part-marking side for SOT23 and SIP-3, North pole to non-part marking side for SC59. See diagram below)	Release Point	-40	-25	-10			
	B_{HY} ($ B_{OPX} - B_{RPX} $)	Hysteresis (Note 11)	20	50	80			
AH3712B	B_{OP} (South pole to part-marking side for SOT23. See diagram below)	Operation Point	10	25	40	Gauss	Inverted	Open-Drain
	B_{RP} (North pole to part-marking side for SOT23. See diagram below)	Release Point	-40	-25	-10			
	B_{HY} ($ B_{OPX} - B_{RPX} $)	Hysteresis (Note 11)	20	50	80			

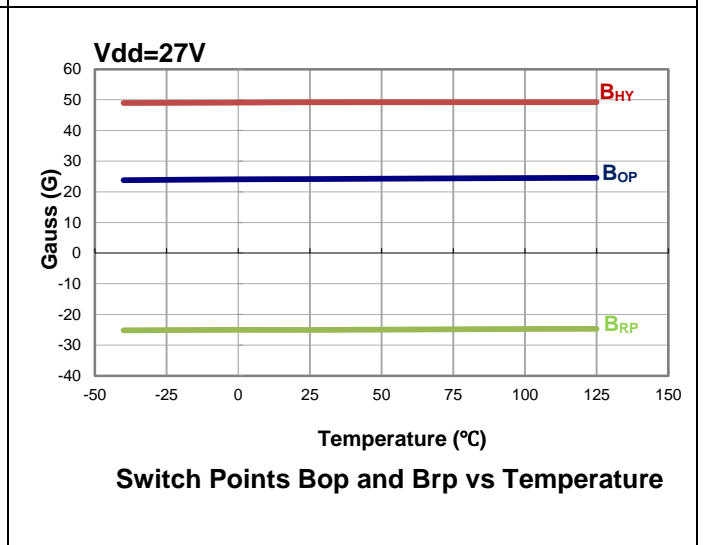
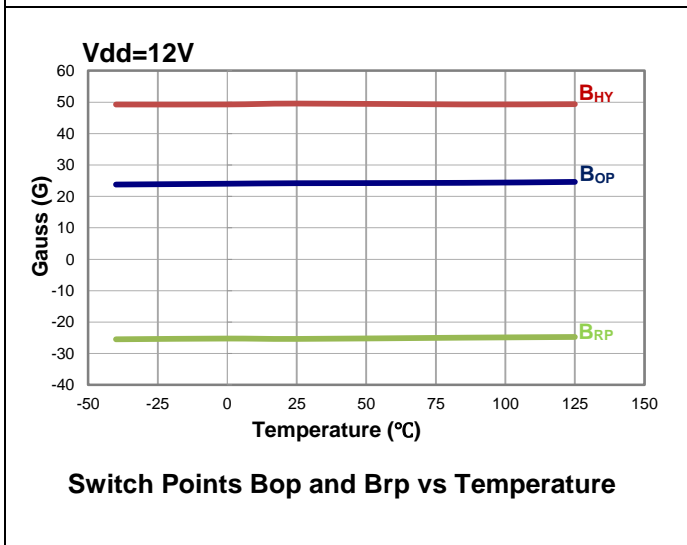
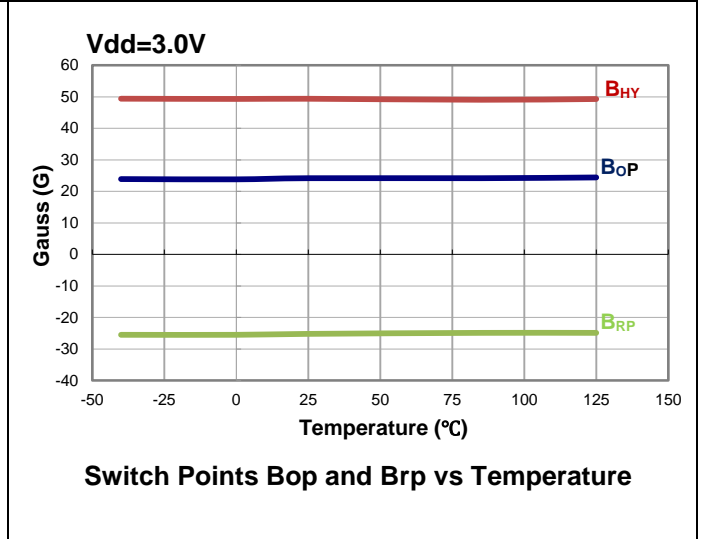
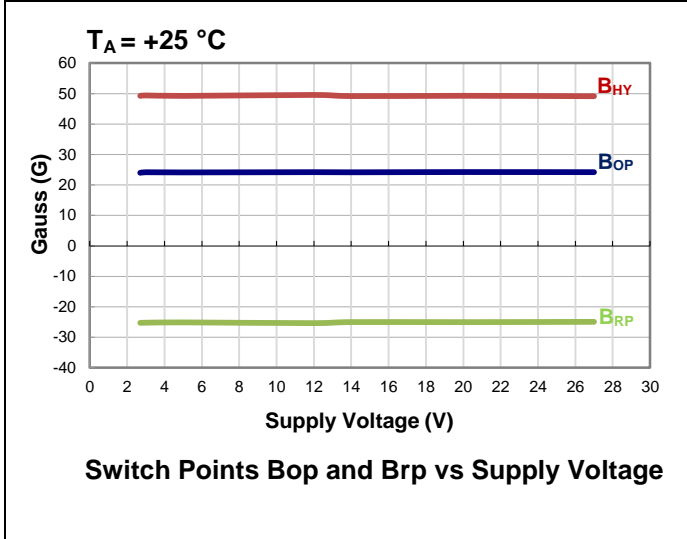
- Notes:
- 10. When power is initially turned on, V_{DD} must be within its correct operating range (3.0V to 27V) to guarantee the output sampling. The output state is valid after the start-up time of 13 μs typical from the operating voltage reaching 3V.
 - 11. Maximum and minimum hysteresis is guaranteed by design, process control, and characterization.



Typical Operating Characteristics

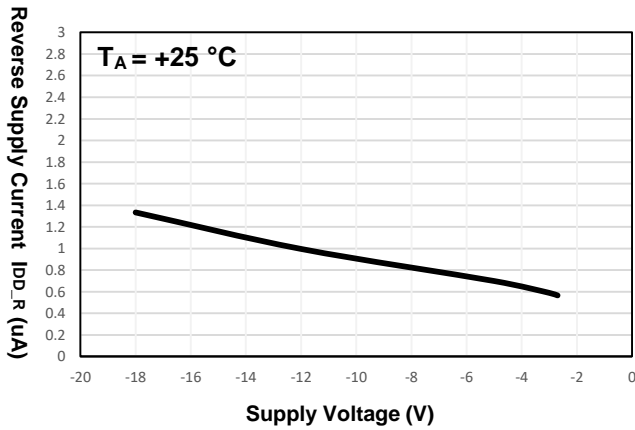


Output Switch Operate and Release Points (Magnetic Thresholds) – Bop and Brp

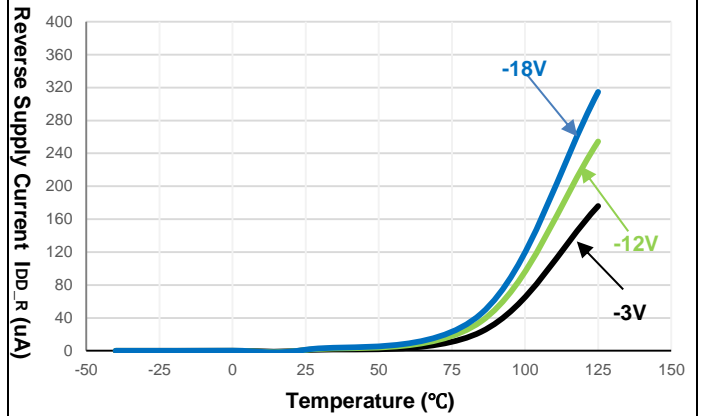


Typical Operating Characteristics (continued)

Reverse Supply Current

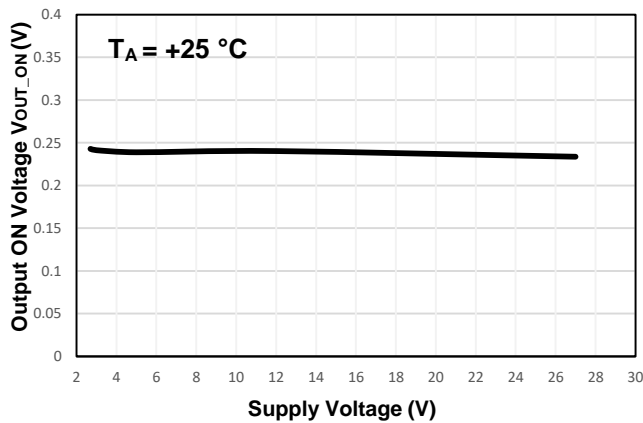


Reverse Supply Current vs Supply Voltage

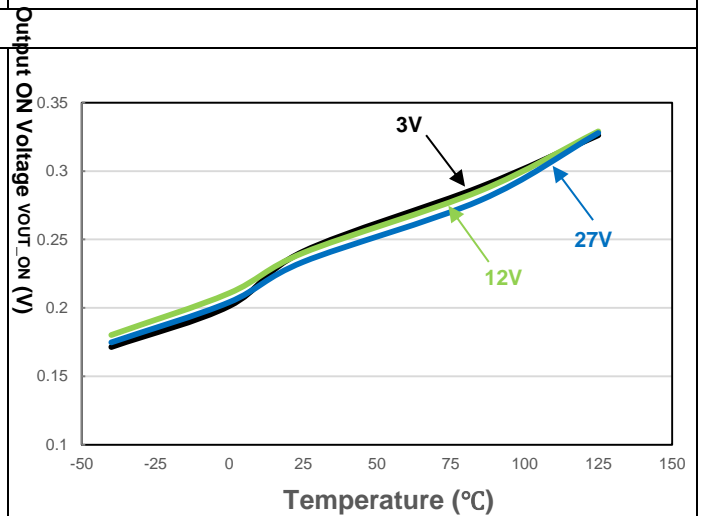


Reverse Supply Current vs Temperature

Output Switch On Voltage

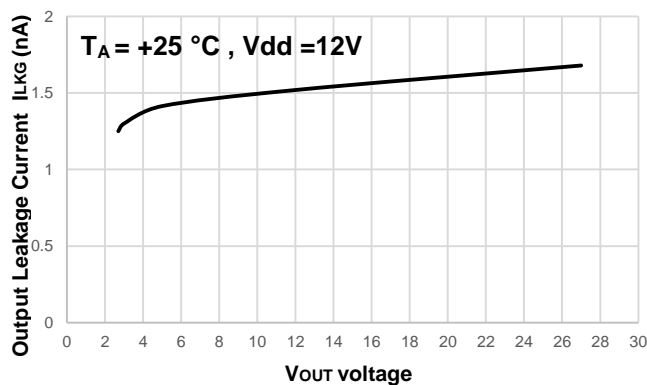


Output ON Voltage vs Supply Voltage

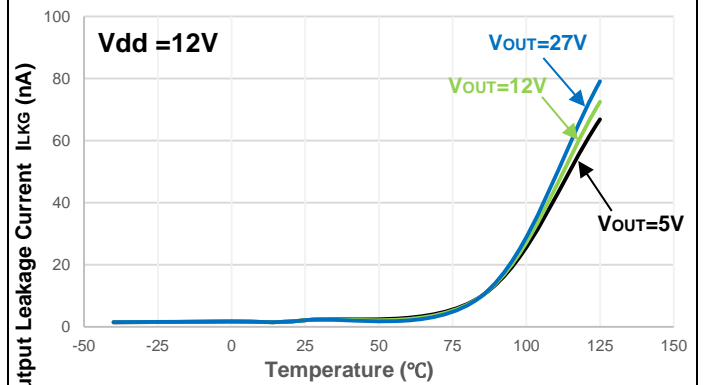


Output ON Voltage vs Temperature

Output Leakage Current



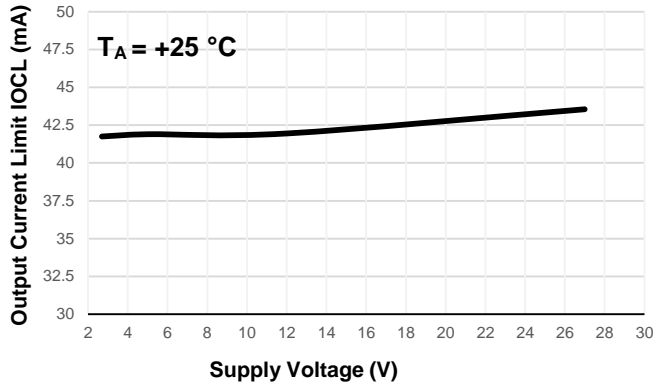
Output Leakage current vs VOUT Voltage



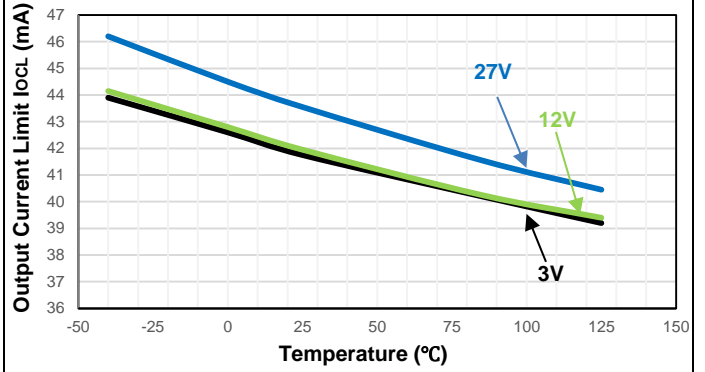
Output Leakage current vs VOUT Voltage

Typical Operating Characteristics (continued)

Output Current Limit

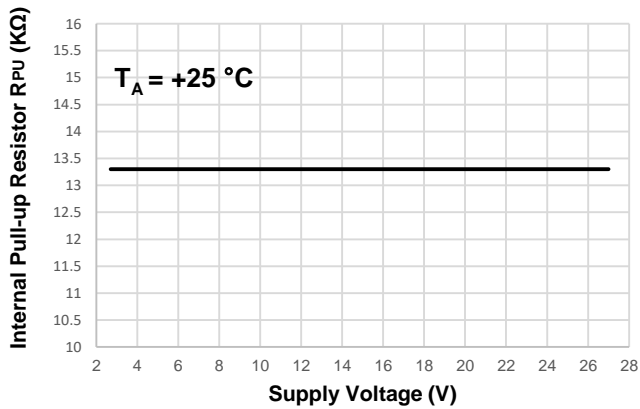


Output Current Limit vs Supply Voltage

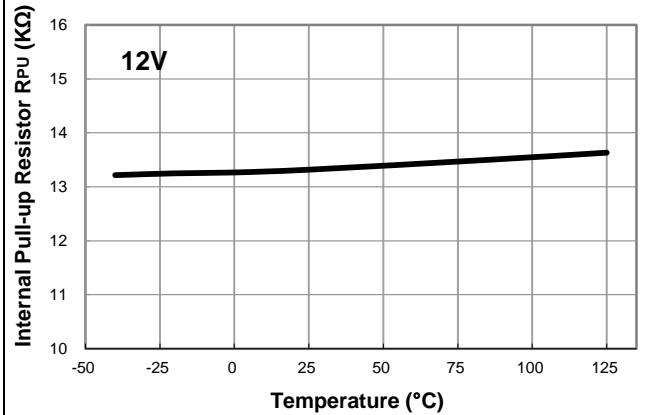


Output Current Limit vs Temperature

Output Pull-Up Resistor (Internal)



Internal Output Pull-up Resistor vs Supply Voltage

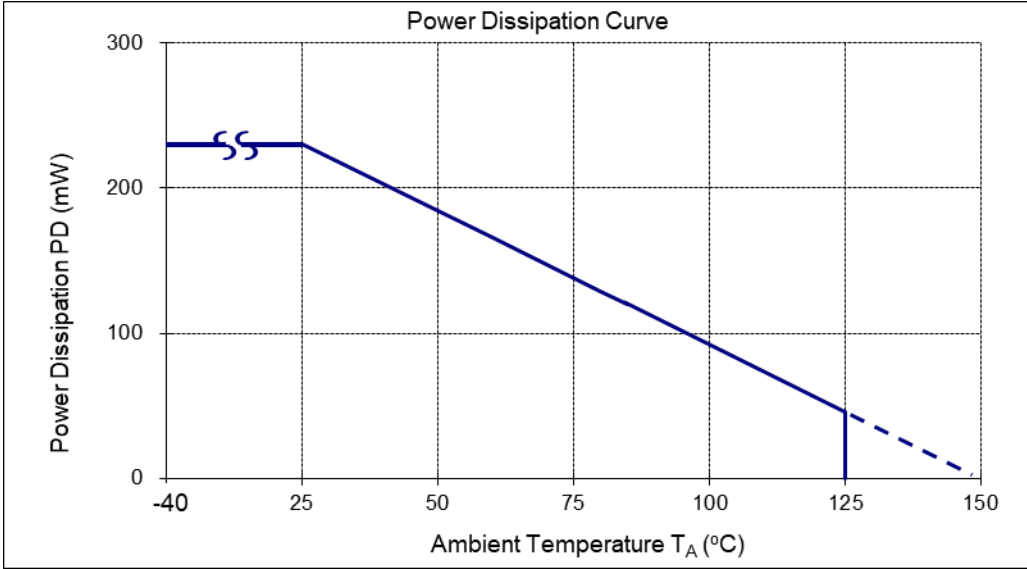


Internal Output Pull-up Resistor vs Temperature

Thermal Performance Characteristics

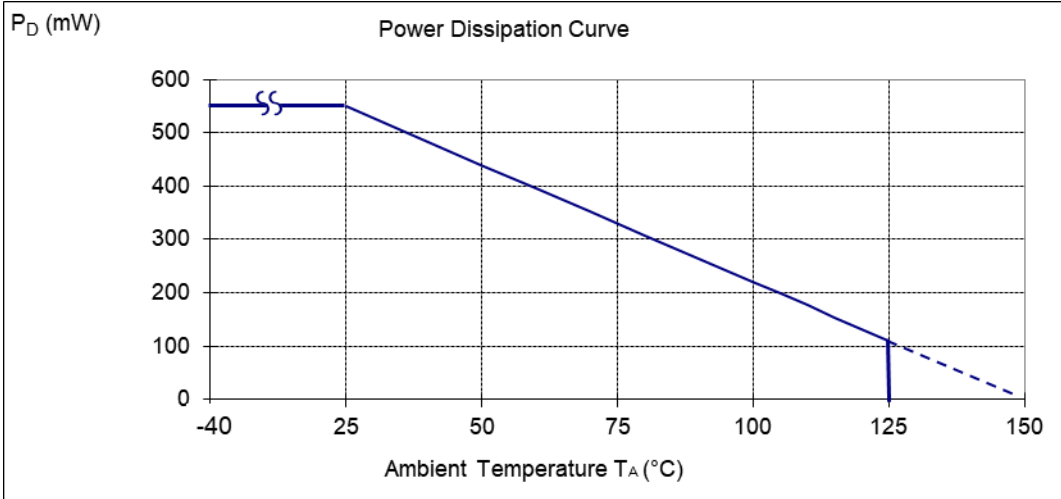
(1) Package : SOT23 (Type S) / SC59

T _A (°C)	25	50	60	70	80	85	90	100	105	110	120	125	130	140	150
P _D (mW)	230	184	166	147	129	120	110	92	83	74	55	46	37	18	0

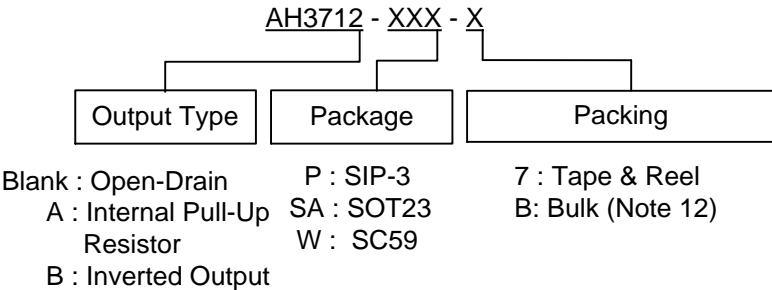


(2) Package : SIP3

T _A (°C)	25	50	60	70	80	85	90	100	105	110	120	125	130	140	150
P _D (mW)	550	440	396	352	308	286	264	220	198	176	132	110	88	44	0



Ordering Information



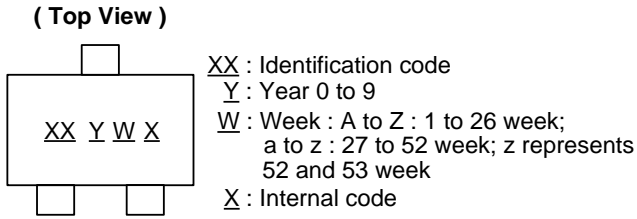
Orderable Part Number	Package Code	Package	Bulk		7" Tape and Reel	
			Quantity	Part Number Suffix	Quantity	Part Number Suffix
AH3712-P-B	P	SIP-3	1,000	-B	—	—
AH3712-SA-7	SA	SOT23	—	—	3,000	-7
AH3712-W-7	W	SC59	—	—	3,000	-7
* AH3712A-P-B	P	SIP-3	1,000	-B	—	—
AH3712A-SA-7	SA	SOT23	—	—	3,000	-7
AH3712A-W-7	W	SC59	—	—	3,000	-7
* AH3712B-SA-7	SA	SOT23	—	—	3,000	-7

* Future new product

Note: 12. Bulk is for SIP-3 Straight Lead.

Marking Information

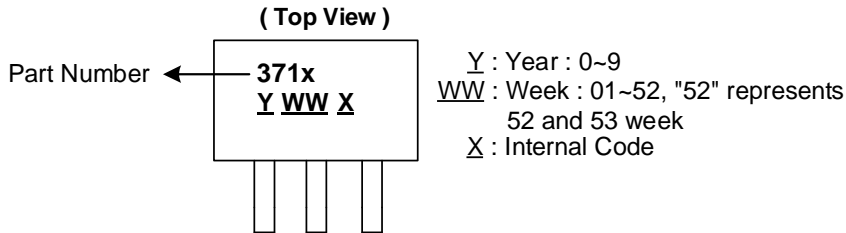
(1) Package Type: SOT23 (Type S) and SC59



Orderable Part Number	Package	Identification Code
AH3712-SA-7	SOT23	N2
AH3712-W-7	SC59	UE
AH3712A-SA-7	SOT23	N8
AH3712A-W-7	SC59	UM
* AH3712B-SA-7	SOT23	UN

* Future new product

(2) Package Type: SIP-3



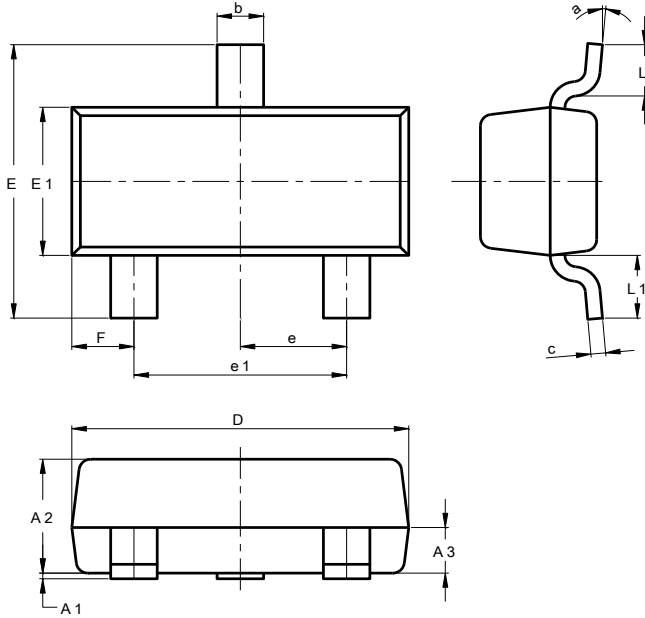
Orderable Part Number	Package	Identification Code
AH3712-P-B	SIP-3	3712
* AH3712A-P-B	SIP-3	3712A

* Future new product

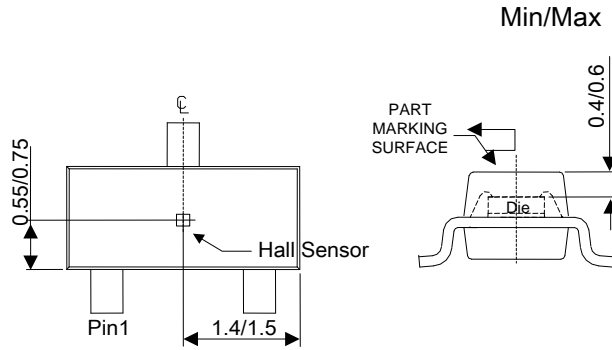
Package Outline Dimensions (All dimensions in mm.)

Please see <https://www.diodes.com/design/support/packaging/> for the latest version.

(1) Package Type: SOT23 (Type S)



SOT23 (Type S)			
Dim	Min	Max	Typ
A1	0.013	0.10	0.05
A2	0.90	1.025	1.00
A3	0.375	0.425	0.40
b	0.37	0.51	0.40
c	0.10	0.18	0.125
D	2.80	3.00	2.90
E	2.30	2.50	2.40
E1	1.20	1.40	1.30
e	0.89	1.03	0.915
e1	1.78	2.05	1.83
F	0.45	0.60	0.535
L1	0.45	0.61	0.55
L	0.25	0.55	0.40
a	0°	8°	--
All Dimensions in mm			

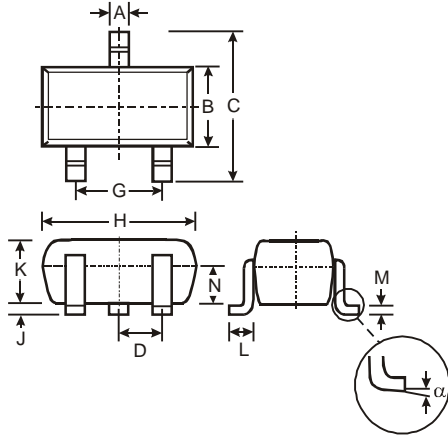


Sensor Location

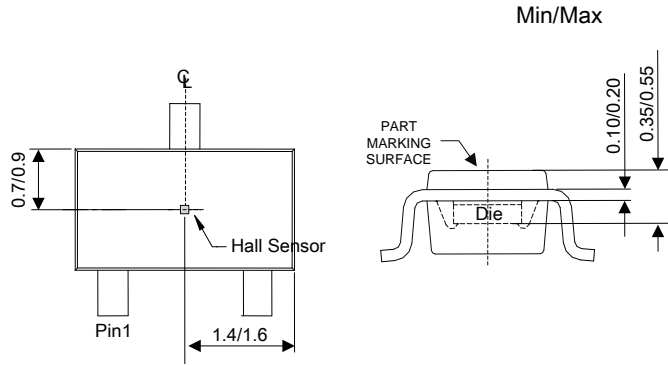
Package Outline Dimensions (continued) (All dimensions in mm.)

Please see <https://www.diodes.com/design/support/packaging/> for the latest version.

(2) Package Type: SC59



SC59			
Dim	Min	Max	Typ
A	0.35	0.50	0.38
B	1.50	1.70	1.60
C	2.70	3.00	2.80
D	-	-	0.95
G	-	-	1.90
H	2.90	3.10	3.00
J	0.013	0.10	0.05
K	1.00	1.30	1.10
L	0.35	0.55	0.40
M	0.10	0.20	0.15
N	0.70	0.80	0.75
α	0°	8°	-
All Dimensions in mm			

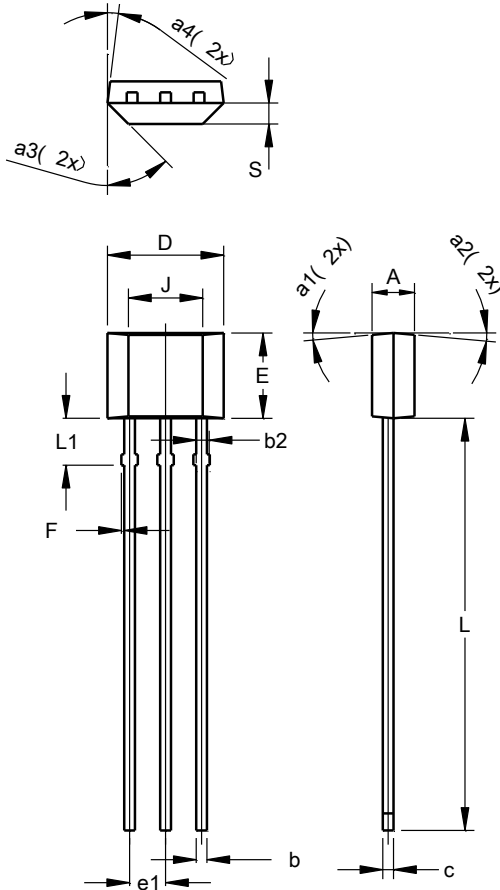


Sensor Location

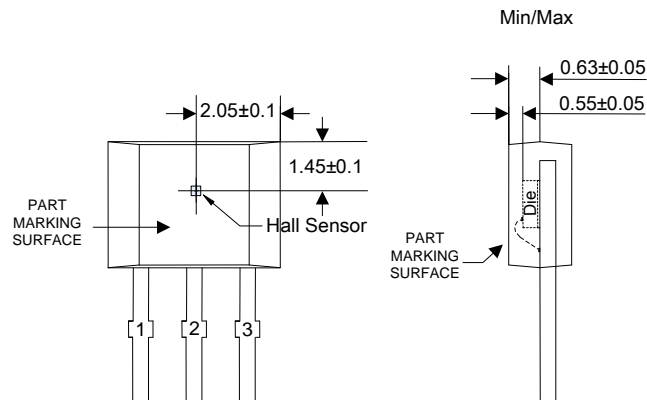
Package Outline Dimensions (continued) (All dimensions in mm.)

Please see <https://www.diodes.com/design/support/packaging/> for the latest version.

(3) Package Type: SIP-3 (Bulk Pack)



SIP-3 (Bulk Pack)			
Dim	Min	Max	Typ
A	1.40	1.60	1.50
b	0.33	0.43	0.38
b2	0.40	0.508	0.46
c	0.35	0.41	0.38
D	3.90	4.30	4.10
E	2.80	3.20	3.00
e1	1.24	1.30	1.27
F	0.00	0.20	--
J	2.62 REF		
L	14.00	15.00	14.50
L1	1.55	1.75	1.65
S	0.63	0.84	0.74
a1	--	--	5°
a2	--	--	5°
a3	--	--	45°
a4	--	--	3°
All Dimensions in mm			

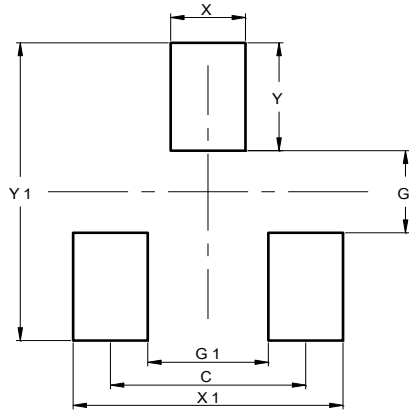


Sensor Location

Suggested Pad Layout

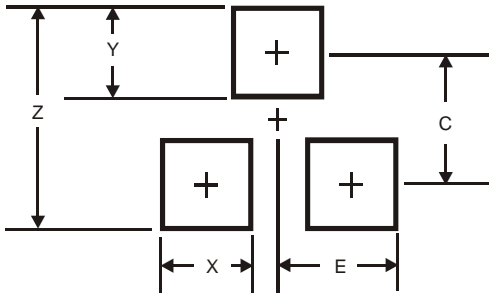
Please see <https://www.diodes.com/design/support/packaging/> for the latest version.

(1) Package Type: SOT23 (Type S)



Dimensions	Value (in mm)
C	1.830
G	0.800
G1	1.130
X	0.700
X1	2.530
Y	1.050
Y1	2.900

(2) Package Type: SC59



Dimensions	Value (in mm)
Z	3.4
X	0.8
Y	1.0
C	2.4
E	1.35

Mechanical Data

- Moisture Sensitivity: Level 1 per J-STD-020
- Terminals: Finish – Matte Tin Plated Leads, Solderable per MIL-STD-202, Method 208 ③
- Weight: 0.008/9 grams (Approximately)

IMPORTANT NOTICE

1. DIODES INCORPORATED (Diodes) AND ITS SUBSIDIARIES MAKE NO WARRANTY OF ANY KIND, EXPRESS OR IMPLIED, WITH REGARDS TO ANY INFORMATION CONTAINED IN THIS DOCUMENT, INCLUDING, BUT NOT LIMITED TO, THE IMPLIED WARRANTIES OF MERCHANTABILITY, FITNESS FOR A PARTICULAR PURPOSE OR NON-INFRINGEMENT OF THIRD PARTY INTELLECTUAL PROPERTY RIGHTS (AND THEIR EQUIVALENTS UNDER THE LAWS OF ANY JURISDICTION).
2. The Information contained herein is for informational purpose only and is provided only to illustrate the operation of Diodes' products described herein and application examples. Diodes does not assume any liability arising out of the application or use of this document or any product described herein. This document is intended for skilled and technically trained engineering customers and users who design with Diodes' products. Diodes' products may be used to facilitate safety-related applications; however, in all instances customers and users are responsible for (a) selecting the appropriate Diodes products for their applications, (b) evaluating the suitability of Diodes' products for their intended applications, (c) ensuring their applications, which incorporate Diodes' products, comply the applicable legal and regulatory requirements as well as safety and functional-safety related standards, and (d) ensuring they design with appropriate safeguards (including testing, validation, quality control techniques, redundancy, malfunction prevention, and appropriate treatment for aging degradation) to minimize the risks associated with their applications.
3. Diodes assumes no liability for any application-related information, support, assistance or feedback that may be provided by Diodes from time to time. Any customer or user of this document or products described herein will assume all risks and liabilities associated with such use, and will hold Diodes and all companies whose products are represented herein or on Diodes' websites, harmless against all damages and liabilities.
4. Products described herein may be covered by one or more United States, international or foreign patents and pending patent applications. Product names and markings noted herein may also be covered by one or more United States, international or foreign trademarks and trademark applications. Diodes does not convey any license under any of its intellectual property rights or the rights of any third parties (including third parties whose products and services may be described in this document or on Diodes' website) under this document.
5. Diodes' products are provided subject to Diodes' Standard Terms and Conditions of Sale (<https://www.diodes.com/about/company/terms-and-conditions/terms-and-conditions-of-sales/>) or other applicable terms. This document does not alter or expand the applicable warranties provided by Diodes. Diodes does not warrant or accept any liability whatsoever in respect of any products purchased through unauthorized sales channel.
6. Diodes' products and technology may not be used for or incorporated into any products or systems whose manufacture, use or sale is prohibited under any applicable laws and regulations. Should customers or users use Diodes' products in contravention of any applicable laws or regulations, or for any unintended or unauthorized application, customers and users will (a) be solely responsible for any damages, losses or penalties arising in connection therewith or as a result thereof, and (b) indemnify and hold Diodes and its representatives and agents harmless against any and all claims, damages, expenses, and attorney fees arising out of, directly or indirectly, any claim relating to any noncompliance with the applicable laws and regulations, as well as any unintended or unauthorized application.
7. While efforts have been made to ensure the information contained in this document is accurate, complete and current, it may contain technical inaccuracies, omissions and typographical errors. Diodes does not warrant that information contained in this document is error-free and Diodes is under no obligation to update or otherwise correct this information. Notwithstanding the foregoing, Diodes reserves the right to make modifications, enhancements, improvements, corrections or other changes without further notice to this document and any product described herein. This document is written in English but may be translated into multiple languages for reference. Only the English version of this document is the final and determinative format released by Diodes.
8. Any unauthorized copying, modification, distribution, transmission, display or other use of this document (or any portion hereof) is prohibited. Diodes assumes no responsibility for any losses incurred by the customers or users or any third parties arising from any such unauthorized use.
9. This Notice may be periodically updated with the most recent version available at <https://www.diodes.com/about/company/terms-and-conditions/important-notice>

The Diodes logo is a registered trademark of Diodes Incorporated in the United States and other countries.
All other trademarks are the property of their respective owners.
© 2023 Diodes Incorporated. All Rights Reserved.

www.diodes.com

X-ON Electronics

Largest Supplier of Electrical and Electronic Components

Click to view similar products for [Board Mount Hall Effect/Magnetic Sensors](#) category:

Click to view products by [Diodes Incorporated](#) manufacturer:

Other Similar products are found below :

[HGPRDT005A](#) [AH1894-FA-7](#) [AH277AZ4-AG1](#) [AV-10448](#) [SS41C](#) [AH1894-Z-7](#) [TLE4946-1L](#) [TLE4976L](#) [SS85CA](#) [BU52003GUL-E2](#)
[AH277AZ4-BG1](#) [AH3376-P-B](#) [TLE4941](#) [TLE4945-2L](#) [AH3360-FT4-7](#) [TLE4941-1](#) [AH374-P-A](#) [SS41-JL](#) [AH1913-W-7](#) [AH3373-P-B](#)
[MA732GQ-Z](#) [MA330GQ-Z](#) [S-57K1NBL2A-M3T2U](#) [S-57P1NBL9S-M3T4U](#) [S-576ZNL2B-L3T2U](#) [S-576ZNL2B-A6T8U](#) [S-57P1NBL0S-](#)
[M3T4U](#) [S-57A1NSL1A-M3T2U](#) [S-57K1RBL1A-M3T2U](#) [S-57P1NBH9S-M3T4U](#) [S-57P1NBH0S-M3T4U](#) [S-57A1NSH1A-M3T2U](#) [S-](#)
[57A1NSH2A-M3T2U](#) [S-57K1NBH1A-M3T2U](#) [S-57A1NNL1A-M3T2U](#) [S-5701BC11B-L3T2U5](#) [S-57GNNL3S-A6T8U](#) [S-57TZ1L1S-](#)
[A6T8U](#) [S-57GSNL3S-A6T8U](#) [S-5716ANDH0-I4T1U](#) [S-57GSNL5S-L3T2U](#) [S-57GDNL3S-L3T2U](#) [S-57GNNL3S-L3T2U](#) [S-57RBNL8S-](#)
[L3T2U](#) [S-57RBNL9S-A6T8U](#) [S-57RB1L8S-L3T2U](#) [S-57GDNL5S-L3T2U](#) [S-57RBNL9S-L3T2U](#) [S-57TZ1L1S-L3T2U](#) [S-57TZNL1S-](#)
[A6T8U](#)