

Description

The AP221448 is a 17mΩ, 2.5A, load switch that switches a power rail ranging from 1.0V to 5.5V. It contains protection features for enhanced operation and reliability.

The product is packaged in a small 1.6mm x 1.0mm package. See *Package Outline Dimensions* for details.

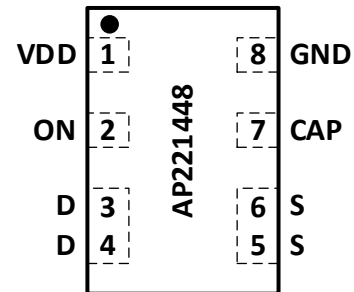
Features

- Operating Voltage: 2.5V to 5.5V
- Operating Temperature: -40°C to 85°C
- 1.6mm x 1.0mm x 0.55mm U-DFN1610-8 (Type AX) Package
- 17mΩ RDS_{ON} While Supporting 2.5A
- Discharges Load When Off
- Two Overcurrent Protection Modes
 - Short-Circuit Current Limit
 - Active Current Limit
- Overtemperature Protection
- **Totally Lead-Free & Fully RoHS Compliant (Notes 1 & 2)**
- **Halogen and Antimony Free. "Green" Device (Note 3)**
- **For automotive applications requiring specific change control (i.e. parts qualified to AEC-Q100/101/104/200, PPAP capable, and manufactured in IATF 16949 certified facilities), please [contact us](https://www.diodes.com/quality/product-definitions/) or your local Diodes representative.**
<https://www.diodes.com/quality/product-definitions/>

- Notes:
1. No purposely added lead. Fully EU Directive 2002/95/EC (RoHS), 2011/65/EU (RoHS 2) & 2015/863/EU (RoHS 3) compliant.
 2. See <https://www.diodes.com/quality/lead-free/> for more information about Diodes Incorporated's definitions of Halogen- and Antimony-free, "Green" and Lead-free.
 3. Halogen- and Antimony-free "Green" products are defined as those which contain <900ppm bromine, <900ppm chlorine (<1500ppm total Br + Cl) and <1000ppm antimony compounds.

Pin Assignments

(Top View)



U-DFN1610-8 (Type AX)

Applications

- Smartphones
- Tablets
- Notebooks

Typical Application Circuit

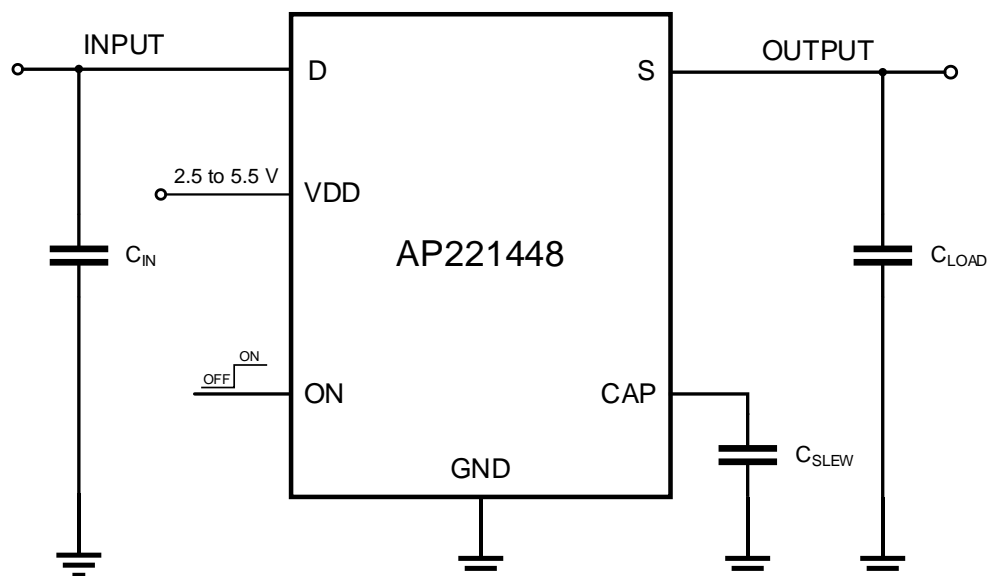


Figure 1. Typical AP221448 Application Circuit

Pin Descriptions

Pin Name	Pin Number	Type	Function
VDD	1	Power	Power supply. Assumes a 0.1μF or larger decoupling capacitor.
ON	2	Input	Turns on load switch, active HI.
D	3, 4	MOSFET	Drain terminal connection for the load switch.
S	5, 6	MOSFET	Source terminal connection for the load switch.
CAP	7	Input	Connects to a low-ESR ceramic capacitor to set the V_S slew rate.
GND	8	GND	Ground

Functional Block Diagram

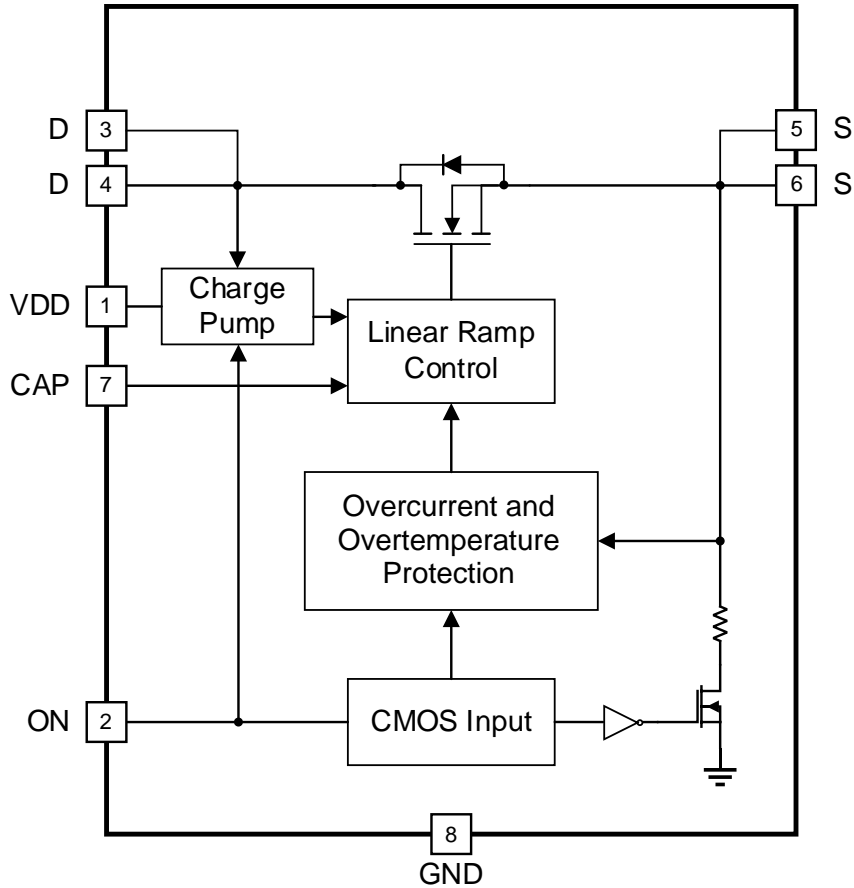


Figure 2. Functional Block Diagram

Absolute Maximum Ratings (Note 4) (@ T_A = +25°C, unless otherwise specified.)

Symbol	Parameter	Rating	Unit
V _{DD}	Power Supply (per TSMC process)	+7	V
W _{DIS}	Package Power Dissipation	+0.4	W
MOSFET I _{OUT(PK)}	Peak Current from Drain to Source	+3.5 (For no more than 1ms with 1% duty cycle)	A
T _{ST}	Storage Temperature	-65 to +140	°C
ESD Susceptibility (Note 5)			
HBM	Human Body Model, per JEDEC Standard	±2000	V

- Notes:
- Stresses greater than those listed under *Absolute Maximum Ratings* can cause permanent damage to the device. These are stress ratings only, and functional operation of the device at these or any other conditions beyond those indicated under *Recommended Operating Conditions* is not implied. Exposure to *Absolute Maximum Ratings* for extended periods can affect device reliability.
 - Semiconductor devices are ESD sensitive and can be damaged by exposure to ESD events. Suitable ESD precautions should be taken when handling and transporting these devices.

Recommended Operating Conditions (Note 6) (@ T_A = +25°C, unless otherwise specified.)

Symbol	Parameter	Min	Max	Unit
V _{DD}	Supply Voltage	2.5	5.5	V
V _D	Drain Voltage	1.0	V _{DD}	V
T _A	Operating Ambient Temperature	-40	+85	°C
I _{OUT}	Output Current (Continuous)	0	2.5	A
V _{IH}	High Input Voltage on ON pin	0.85	V _{DD}	V
V _{IL}	Low Input Voltage on ON pin	-0.3	0.3	V

- Note:
- The device performance is not guaranteed outside of the recommended operating conditions.

Electrical Characteristics (@ $T_A = -40^{\circ}\text{C}$ to $+85^{\circ}\text{C}$, unless otherwise specified. Min/Max limits apply across the recommended operating and input voltage range, 2.5V to 5.5V, unless otherwise specified.)

Symbol	Parameter	Conditions	Min	Typ	Max	Unit
ISHDN	Input Shutdown Current	Disabled, $I_{OUT} = 0\text{A}$	—	—	0.1	μA
I_Q	Input Quiescent Current	Enabled, $I_{OUT} = 0\text{A}$	—	25	50	μA
RDS _{ON}	Switch On-Resistance	$T_A = +25^{\circ}\text{C}$, $I_{OUT} = 100\text{mA}$	—	16.8	19	m Ω
		$T_A = +70^{\circ}\text{C}$, $I_{OUT} = 100\text{mA}$	—	18.7	20	
		$T_A = +85^{\circ}\text{C}$, $I_{OUT} = 100\text{mA}$	—	19.6	23	
ton_Delay	ON Delay Time	50% ON to V_S Ramp Start	—	250	500	μs
ton	Total Turn On Time	50% ON to 90% V_S	Configurable (Note 7)			ms
		Example: $C_{SLEW} = 3.9\text{nF}$, $V_{DD} = V_D = 5\text{V}$ $C_{LOAD} = 10\mu\text{F}$, $I_{OUT} = 100\text{mA}$	—	1.55	—	
V _{S(SR)}	Slew Rate	10% V_S to 90% V_S	Configurable (Note 7)			V/ms
		Example: $C_{SLEW} = 3.9\text{nF}$, $V_{DD} = V_D = 5\text{V}$ $C_{LOAD} = 10\mu\text{F}$, $I_{OUT} = 100\text{mA}$	—	3.35	—	
C _{LOAD}	Output Load Capacitance	C _{LOAD} connected from S to GND	—	—	500	μF
R _{DIS}	Discharge Resistance	—	180	215	250	Ω
I _{LIMIT}	Active Current Limit (Note 8)	$V_S > 250\text{mV}$ and $I_{OUT} > 4.25\text{A}$	—	4.2	—	A
	Short-Circuit Current Limit (Note 8)	$V_S < 250\text{mV}$	—	1.1	—	
OTP	Overtemperature Protection (Note 8)	Threshold	—	+125	—	$^{\circ}\text{C}$
		Hysteresis	—	+25	—	$^{\circ}\text{C}$
		Shutoff Time	—	—	1	ms
t _{OFF}	OFF Delay Time	50% ON to V_S Fall Start, $V_{DD} = V_D = 5\text{V}$ $R_{LOAD} = 20\Omega$, no C _{LOAD}	—	6.5	—	μs
t _{FALL}	V_S Fall Time	90% V_S to 10% V_S , $V_{DD} = V_D = 5\text{V}$ $R_{LOAD} = 20\Omega$, no C _{LOAD}	—	4.5	—	μs
R _{Pull-Down}	ON Pull-Down Resistance	$V_{DD} = V_D = 5\text{V}$	—	4.8	—	M Ω

Notes: 7. Refer to Figure 3 for additional information.

8. Compliance to the datasheet limits is assured by one or more methods: production test, characterization, and/or design.

Typical Performance Characteristics (AP221448 @ $T_A = +25^\circ\text{C}$, unless otherwise specified.)

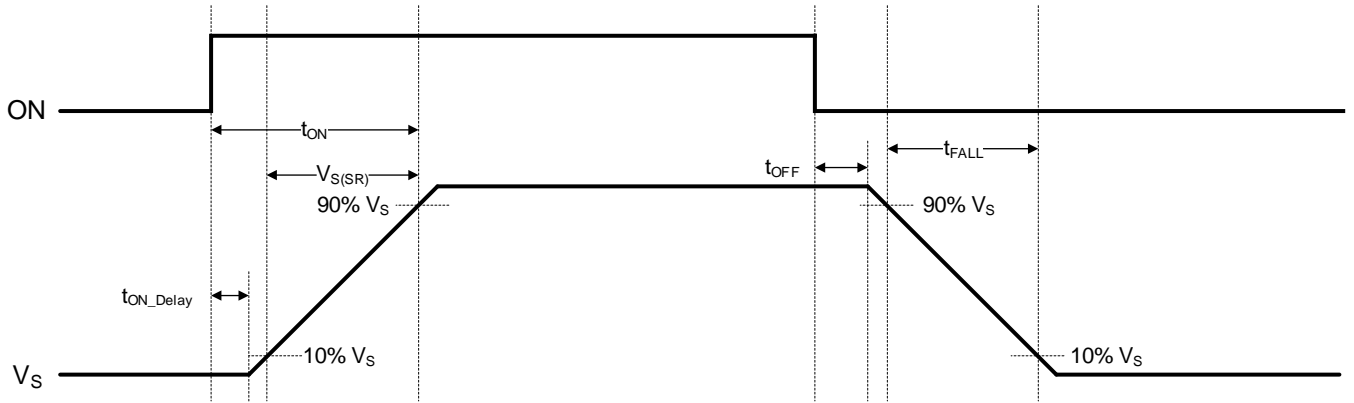


Figure 3. t_{ON_Delay} , $V_{S(SR)}$, and t_{ON} Timing Details

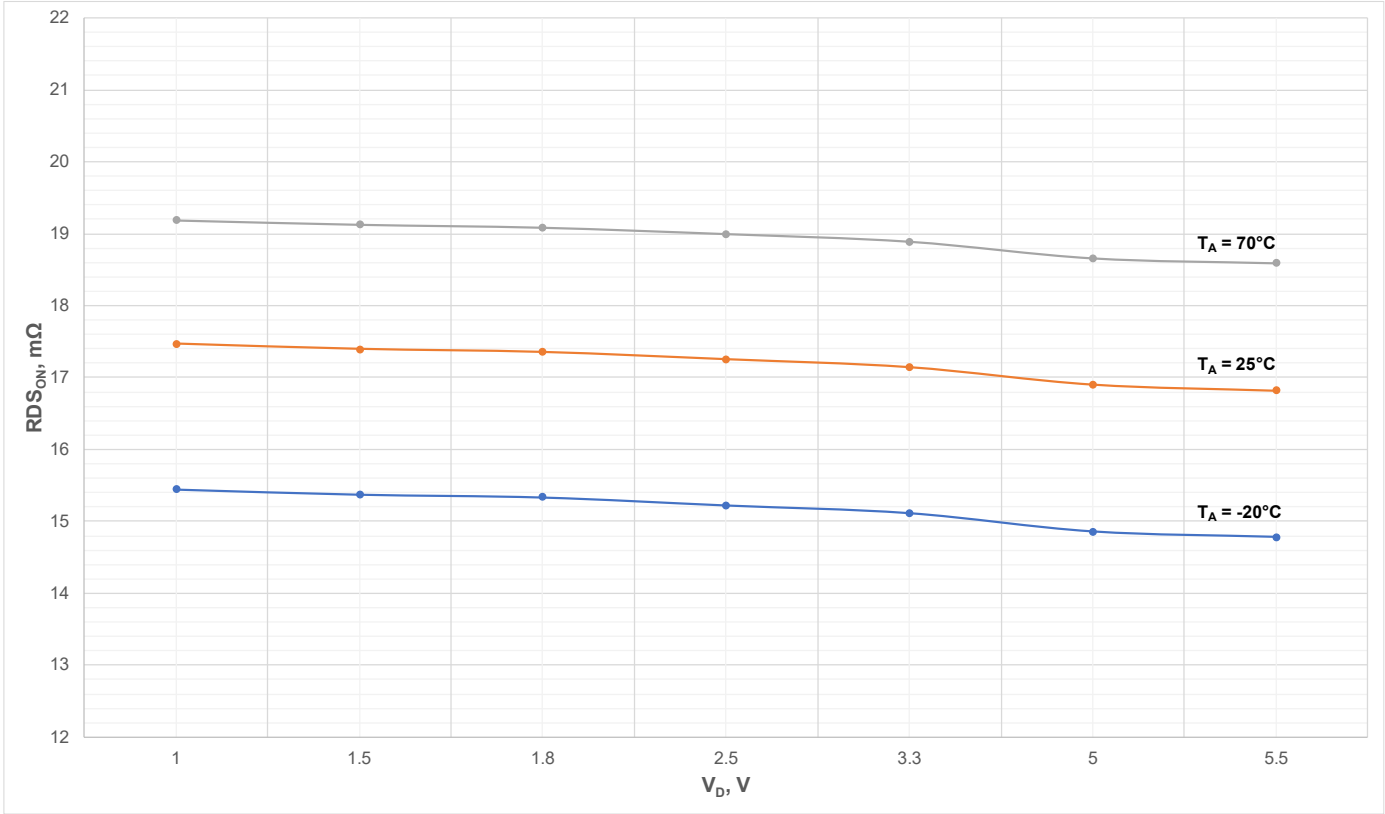


Figure 4. $R_{DS(on)}$ vs. V_D and Temperature at $V_{DD} = 5.5\text{V}$ and 100mA

Typical Performance Characteristics (AP221448 @ $T_A = +25^\circ\text{C}$, unless otherwise specified.) (continued)

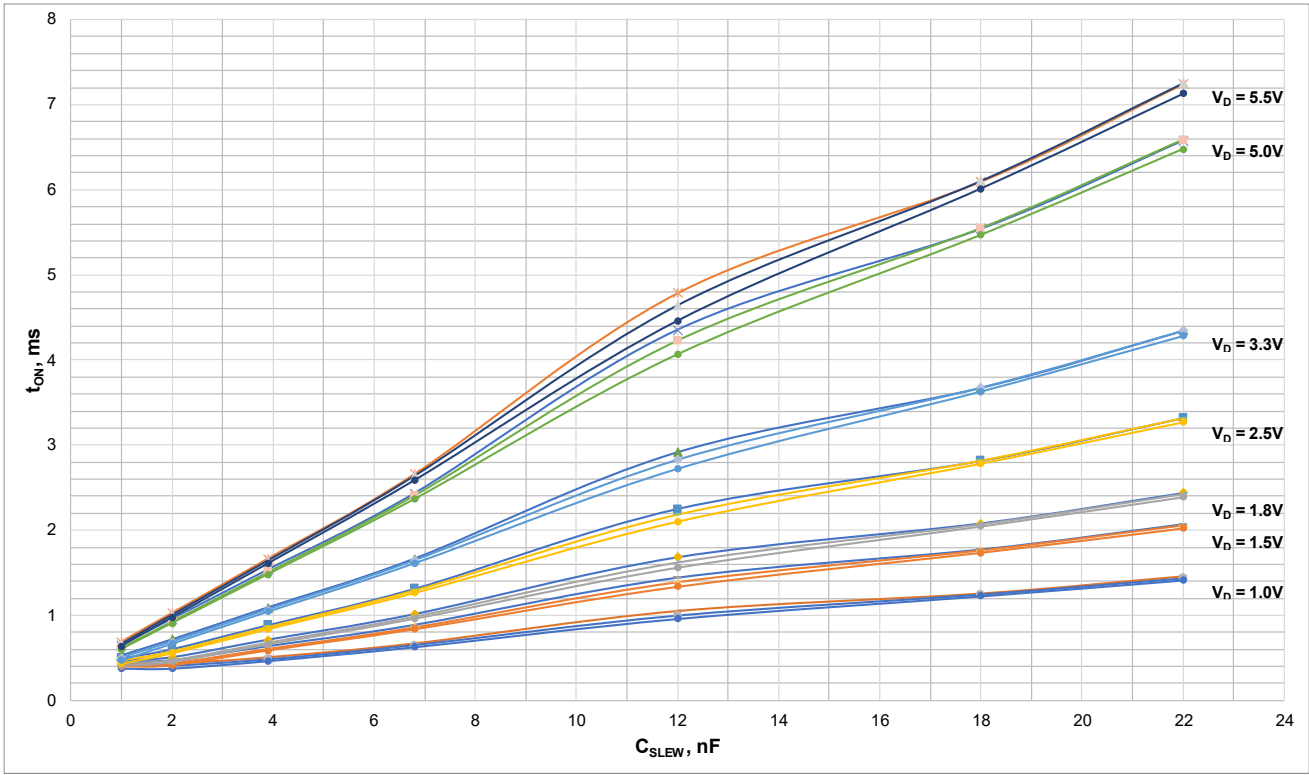


Figure 5. t_{ON} vs. C_{SLEW} , V_D and Temperature at $V_{DD} = 5.5V$

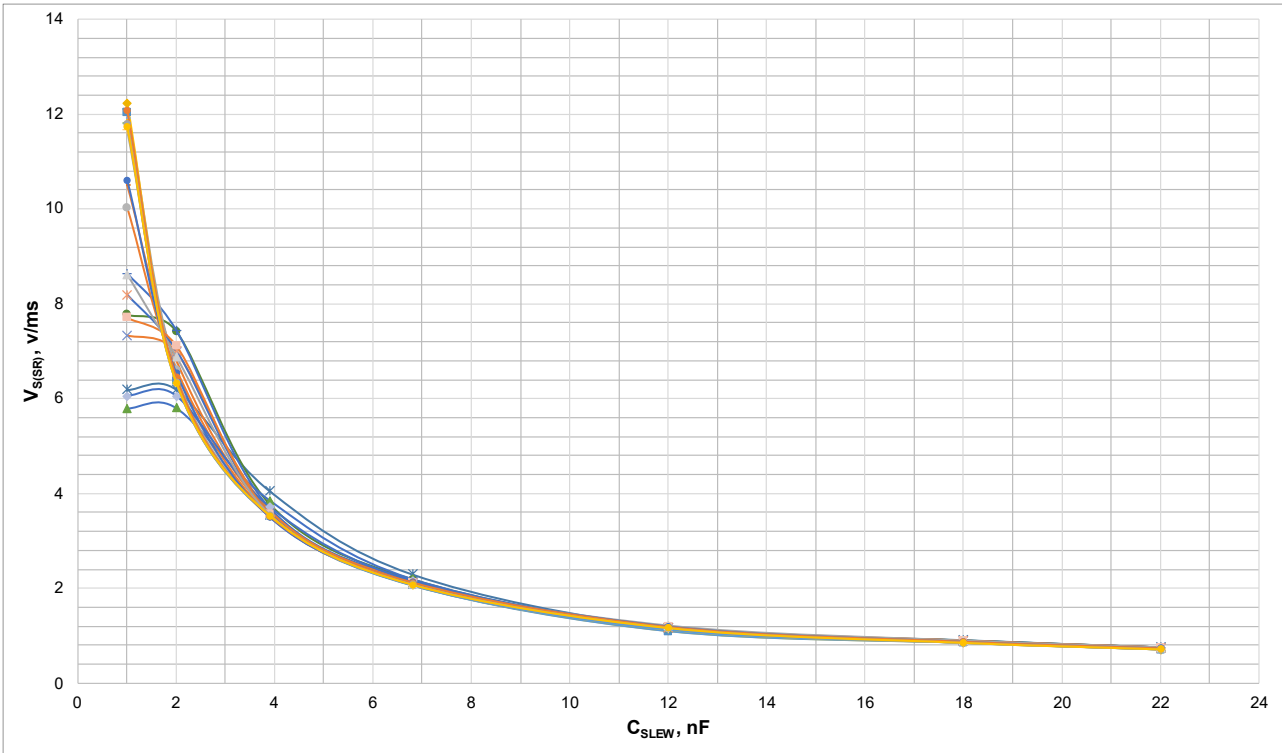


Figure 6. V_S Slew Rate vs. C_{SLEW} and Temperature

Application Information

1 Typical Operation

For correct operability, per the AP221448 EC table, a proper power-up sequence must be applied. Apply V_{DD} first, followed by V_D , then ON signal to power-up the device. In order to control the inrush current from capacitive loads, set a desired linear output slew rate by placing a corresponding C_{SLEW} capacitor between CAP pin and GND. The greater capacitor value at CAP pin, the slower the output ramp.

During operation, should a system fault occur, V_{IN} should be returned to Recommended Operating Conditions before the load switch is transitioned between its on and off states to reduce out-of-spec transitional stress on the MOSFET, discharge resistor, and charge pump.

The AP221448 protection features are not intended for port/live-insertion applications, such as USB ports. The protection features have been designed primarily to protect against initial manufacturing defects and for product development safety.

Some typical operation waveforms are illustrated below.

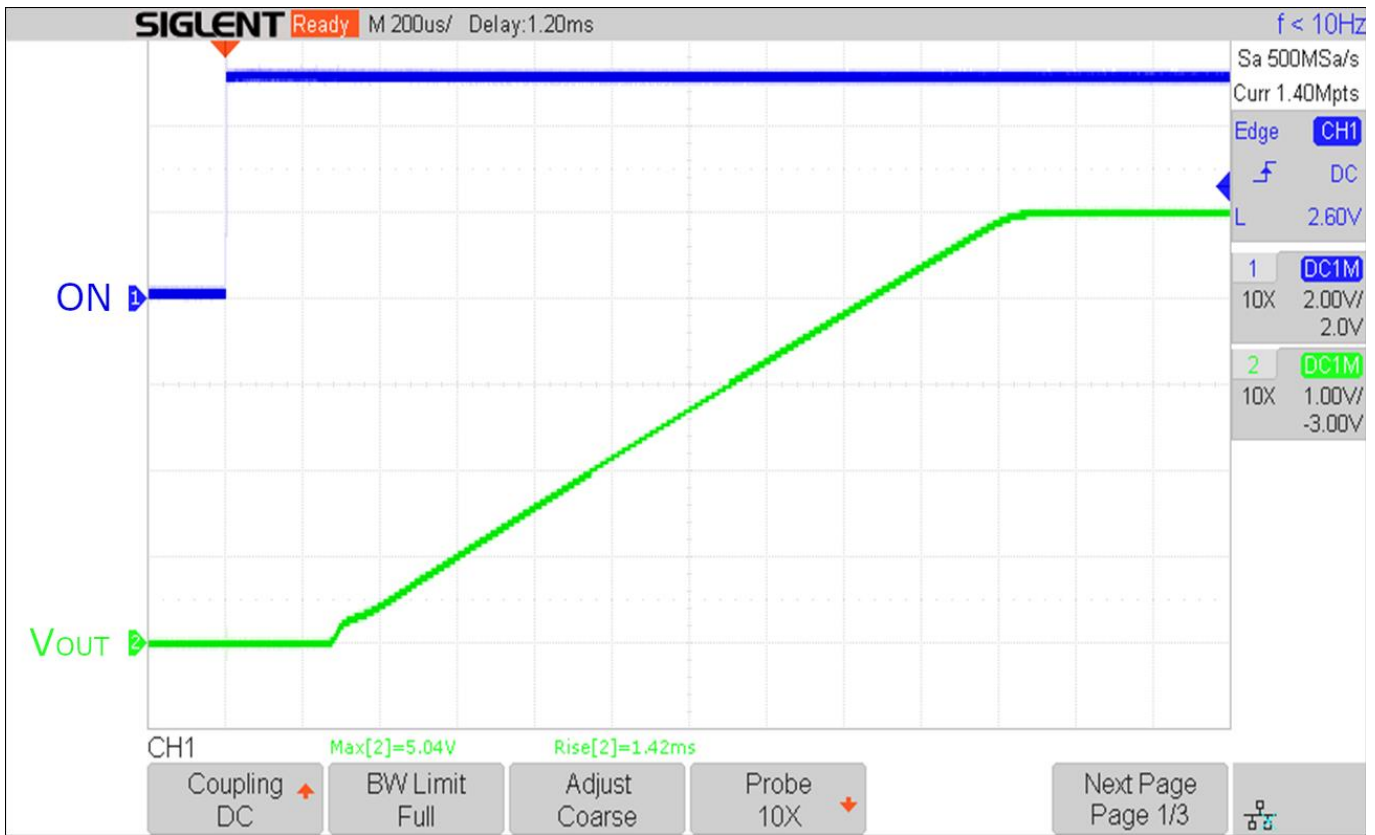


Figure 7. AP221448 Typical Power-Up Operation Waveform. $V_{DD} = V_D = 5V$, $R_{LOAD} = 20\Omega$, $C_{LOAD} = 10\mu F$, $C_{SLEW} = 3.9nF$

Application Information (continued)

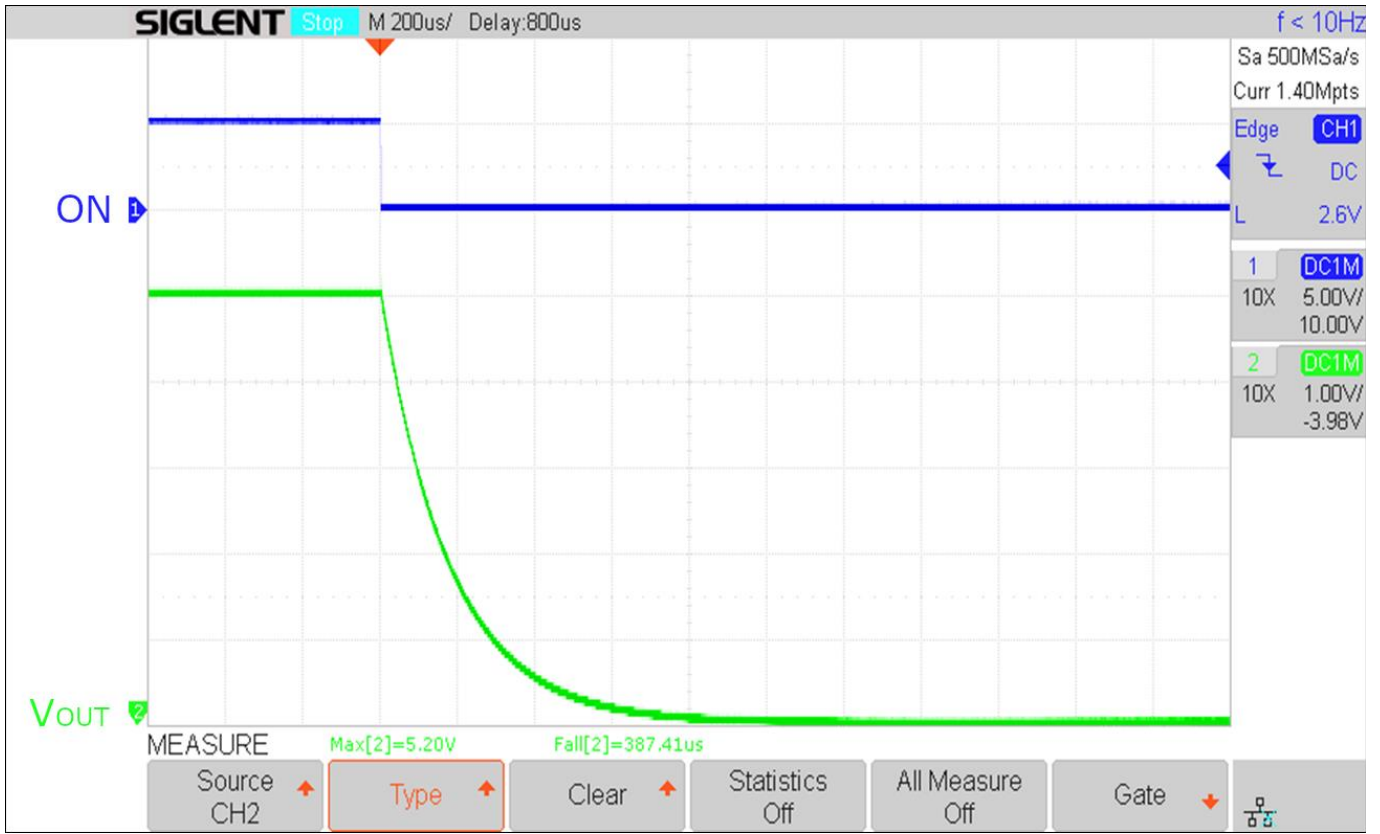


Figure 8. AP221448 Typical Power-Down Operation Waveform. $V_{DD} = V_D = 5V$, $R_{LOAD} = 20\Omega$, $C_{LOAD} = 10\mu F$, $C_{SLEW} = 3.9nF$

Application Information (continued)

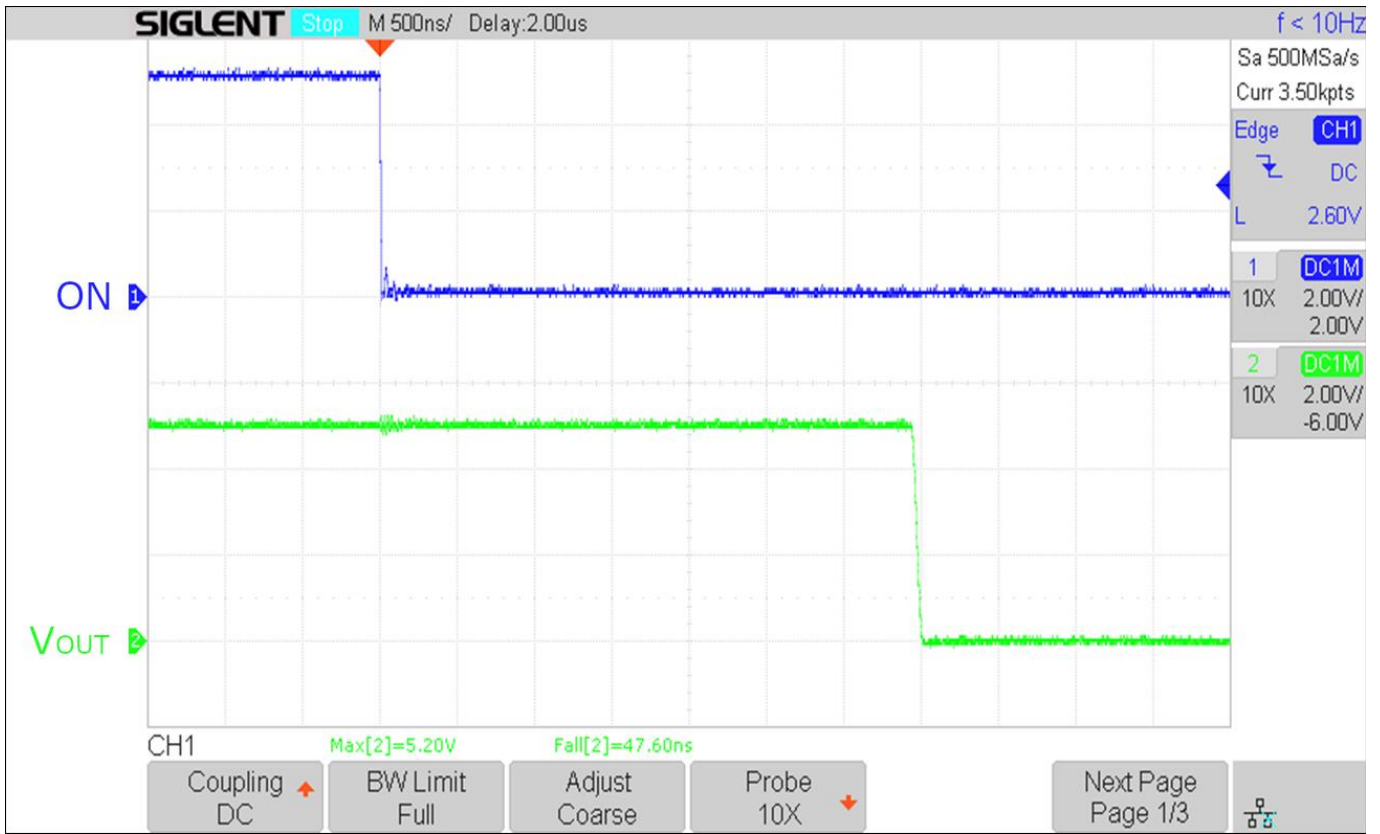


Figure 9. AP221448 Typical Power-Down Operation Waveform. $V_{DD} = V_D = 5V$, $R_{LOAD} = 20\Omega$, no C_{LOAD} , $C_{SLEW} = 3.9nF$

2 Overtemperature Protection

The AP221448 contains an overtemperature protection. If the internal junction temperature of the AP221448 reaches +135°C, such as during an overcurrent event, the FET is shut off completely so the die can cool. Once the die temperature reaches approximately +100°C, overtemperature protection will be disabled and the FET will again be capable of conducting. This event will repeat for as long as the condition that causes the die to overheat exists.

3 Current Limiting Operation

3A Active Current Limiting Mode (With Overtemperature Protection)

In the event the current delivered from the drain to source in the AP221448 exceeds the I_{ACL} maximum current limit in the *Electrical Characteristics* table (roughly 50% greater than the maximum sustained current) for more than a few microseconds, the AP221448 will limit the current to the I_{ACL} threshold by increasing the FET resistance. If this current is sustained, the device will overheat and trigger the overtemperature protection.

Application Information (continued)

3A Active Current Limiting Mode (With Overtemperature Protection) (continued)

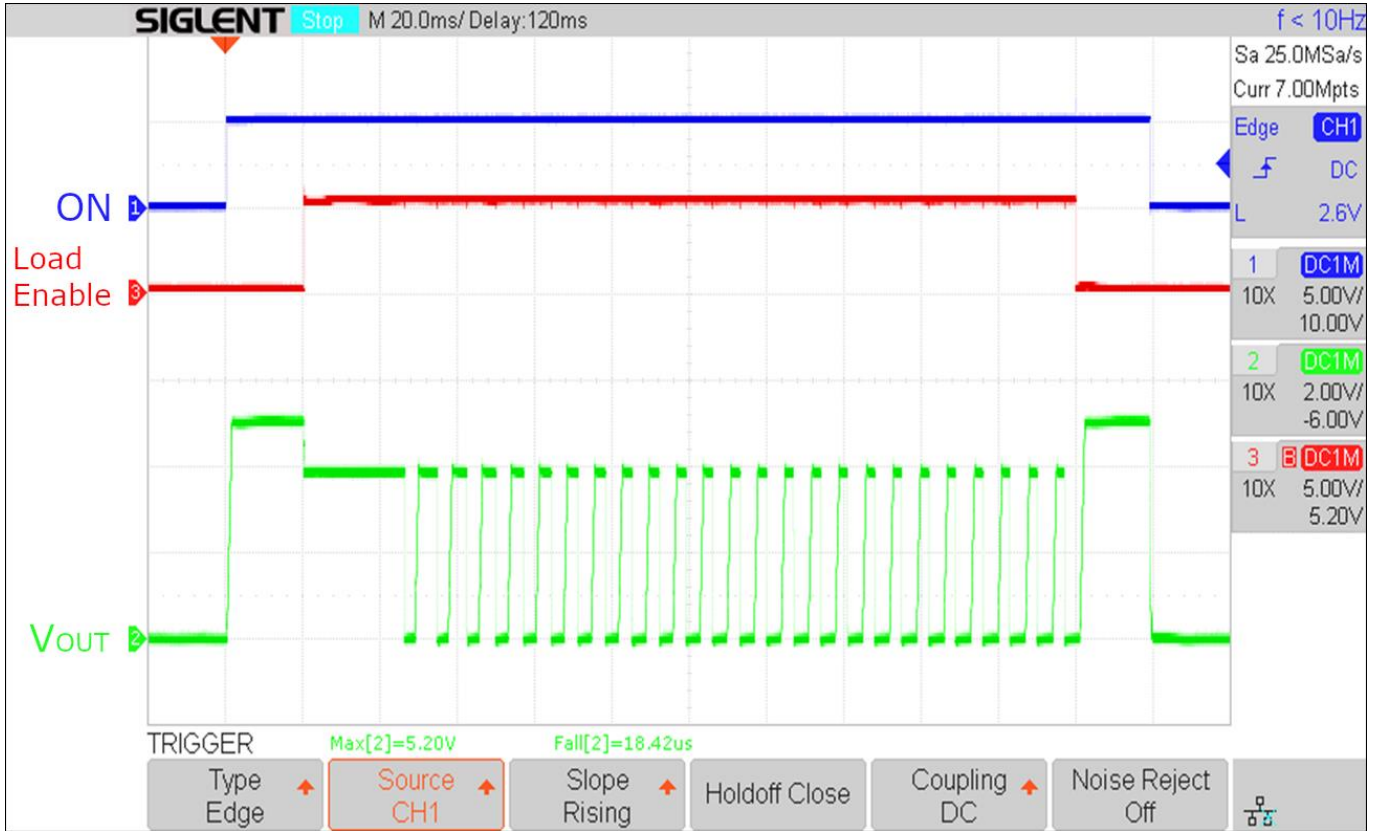


Figure 10. AP221448 ACL+TSD Operation Waveform. $V_{DD} = V_D = 5V$, $R_{LOAD} = 20\Omega$, $C_{LOAD} = 10\mu F$, $C_{SLEW} = 3.9nF$. *Load Enable* signal applies additional 1Ω of load.

An example of the AP221448 Active Current Limit is shown above. At initial turn-on of the IC, the active current limit is sustained for longer before reaching the overtemperature limit. As the package is heated in subsequent ACL events, the time held at the ACL level before triggering the overtemperature protection continues to decrease until it reaches a steady state.

3B Short-Circuit Current Limiting Mode (With Overtemperature Protection)

The AP221448 also contains a short-circuit limit, which will be triggered in the event that V_S is externally limited to 250mV or less due to an improper solder connection or similar defect on the same node as the S pin. During this event, the AP221448 will maintain the resistivity of the FET so as to limit the output current of the device to a typical value of 1.1A.

If the short-circuit event is resolved, the AP221448 will continue its voltage ramp per the slew rate set by the capacitor on the CAP pin.

Application Information (continued)

3B Short-Circuit Current Limiting Mode (With Overtemperature Protection) (continued)

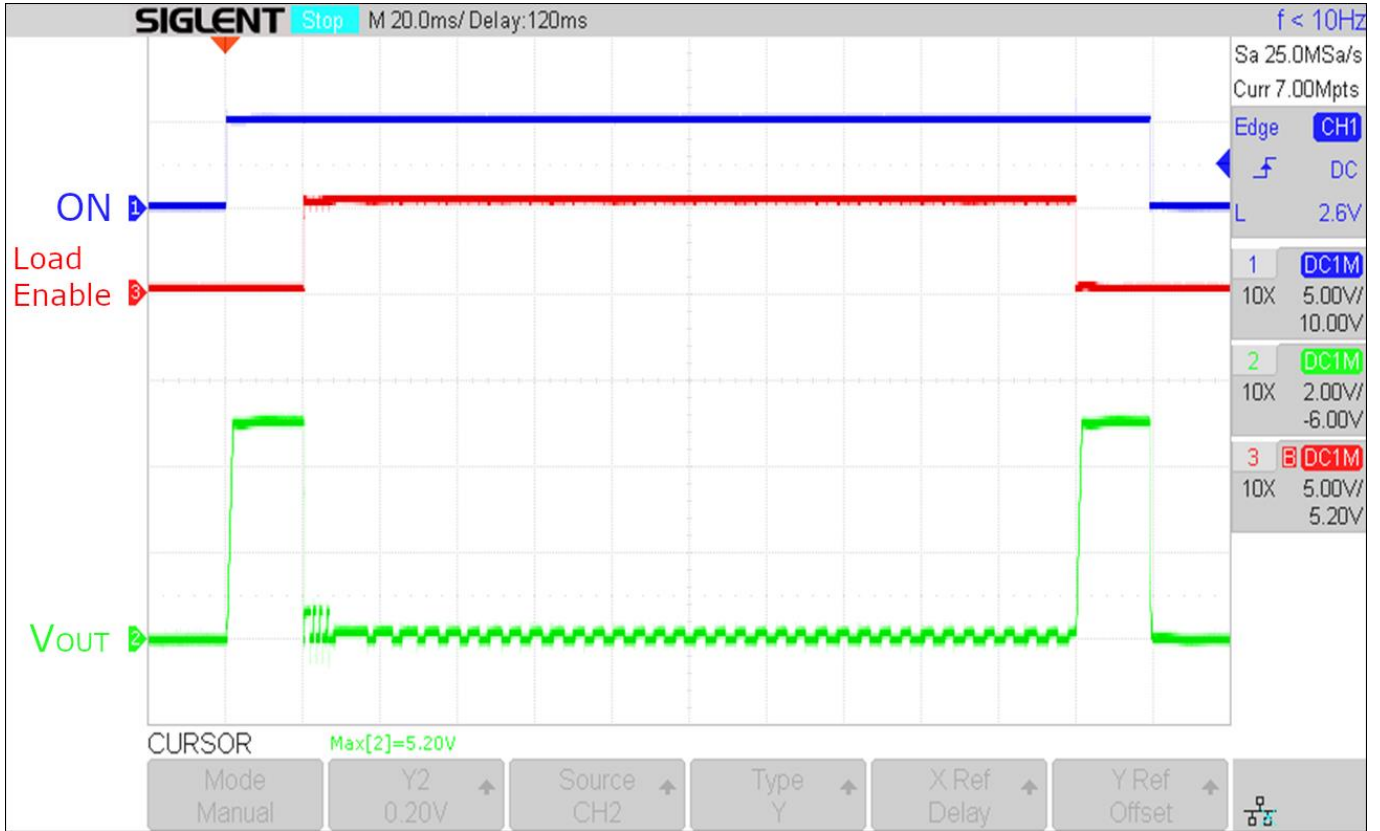


Figure 11. AP221448 SCL+TSD Operation Waveform. $V_{DD} = V_D = 5V$, $R_{LOAD} = 20\Omega$, $C_{LOAD} = 10\mu F$, $C_{SLEW} = 3.9nF$. Load Enable signal applies additional 0.25Ω of load.

Note: 9. Depending upon factors such as V_D , the shorted value of V_S , and the ambient temperature, the AP221448 may or may not dissipate enough power to trigger the overtemperature protection within the circuit. If the overtemperature protection occurs, the part will shut down and retry per the Overtemperature Detection description above.

Recommended Layout

It is important to have a proper PCB layout for high-performance device operation. The list below provides some basic rules for PCB layout.

- Connect a 0.1 μ F capacitor from VDD pin to GND. It should be placed as close to device as possible.
- Place high-quality low-ESR input C_{IN} and output C_{OUT} capacitors close to the device Drain and Source pins to minimize the effects of parasitic inductance.
- Make sure to have a solid Ground connection.
- All traces should be as short, wide, and direct as possible.
- Drain and Source pins have the most heat dissipation during high-current operations. Use polygon planes and/or 2oz. copper for Drain and Source connections.

Examples below illustrate described layout guidelines implementation.

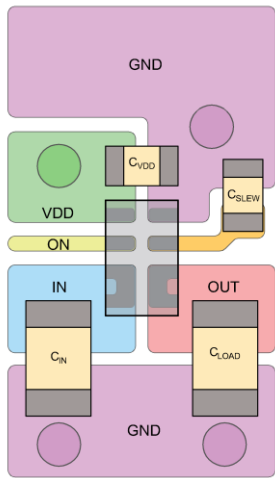


Figure 12. Option 1

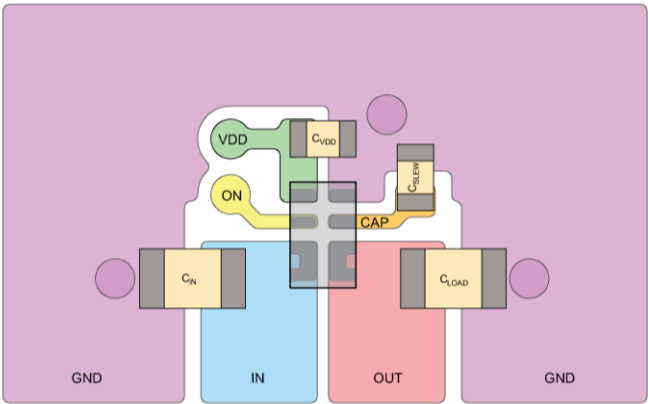
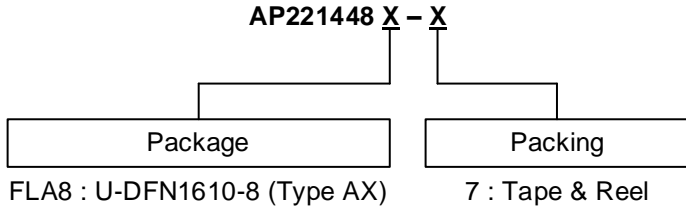


Figure 13. Option 2

Ordering Information

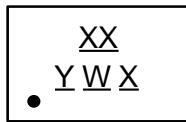


Part Number	Package	Package Code	Packing	
			Qty.	Carrier
AP221448FLA8-7	U-DFN1610-8 (Type AX)	FLA8	3,000	7" Tape and Reel

Marking Information

U-DFN1610-8 (Type AX)

(Top View)



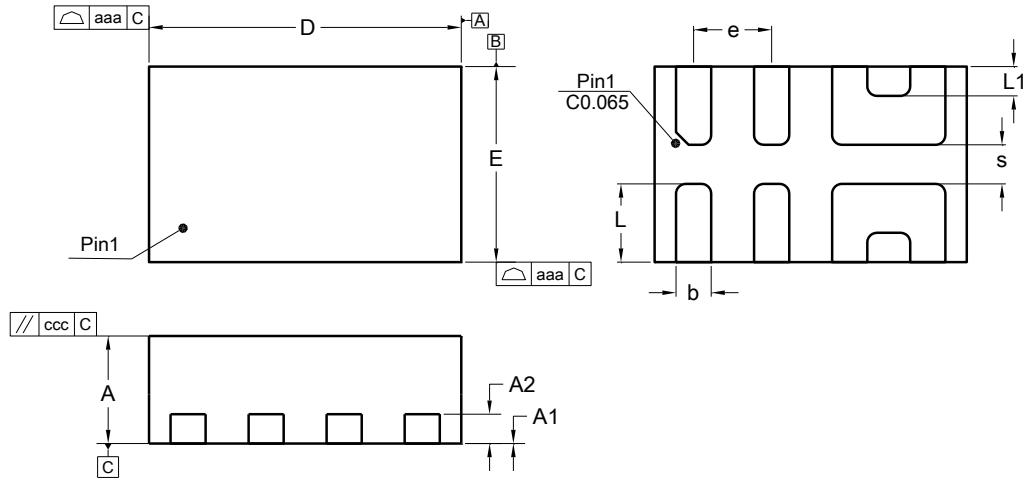
- XX : Identification Code
- Y : Year : 0 to 9 (ex: 4 = 2024)
- W : Week : A to Z : week 1 to 26;
a to z : week 27 to 52; z represents week 52 and 53
- X : Internal Code

Part Number	Package	Identification Code
AP221448FLA8-7	U-DFN1610-8 (Type AX)	A2

Package Outline Dimensions

Please see <http://www.diodes.com/package-outlines.html> for the latest version.

U-DFN1610-8 (Type AX)

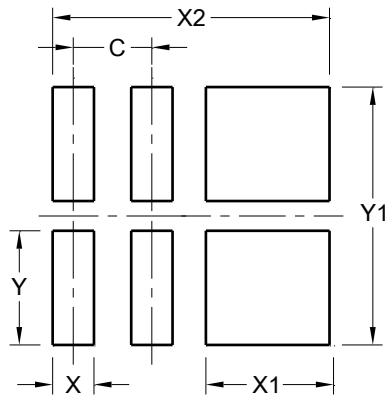


U-DFN1610-8 (Type AX)			
Dim	Min	Max	Typ
A	0.50	0.60	0.55
A1	-0.005	0.03	--
A2	0.225	0.275	0.250
b	0.155	0.205	0.180
D	1.55	1.65	1.60
E	0.95	1.05	1.00
e	--	--	0.40
L	0.375	0.425	0.400
L1	0.125	0.175	0.150
s	--	--	0.20
aaa	0.05		
ccc	0.05		
All Dimensions in mm			

Suggested Pad Layout

Please see <http://www.diodes.com/package-outlines.html> for the latest version.

U-DFN1610-8 (Type AX)



Dimensions	Value (in mm)
C	0.400
X	0.210
X1	0.610
X2	1.410
Y	0.565
Y1	1.300

Mechanical Data

- Moisture Sensitivity: Level 1 per J-STD-020
- Terminals: Finish – NiPdAu. Solderable per MIL-STD-202, Method 208 (e4)
- Weight: 0.0031 grams (Approximate)

IMPORTANT NOTICE

1. DIODES INCORPORATED (Diodes) AND ITS SUBSIDIARIES MAKE NO WARRANTY OF ANY KIND, EXPRESS OR IMPLIED, WITH REGARDS TO ANY INFORMATION CONTAINED IN THIS DOCUMENT, INCLUDING, BUT NOT LIMITED TO, THE IMPLIED WARRANTIES OF MERCHANTABILITY, FITNESS FOR A PARTICULAR PURPOSE OR NON-INFRINGEMENT OF THIRD PARTY INTELLECTUAL PROPERTY RIGHTS (AND THEIR EQUIVALENTS UNDER THE LAWS OF ANY JURISDICTION).
2. The Information contained herein is for informational purpose only and is provided only to illustrate the operation of Diodes' products described herein and application examples. Diodes does not assume any liability arising out of the application or use of this document or any product described herein. This document is intended for skilled and technically trained engineering customers and users who design with Diodes' products. Diodes' products may be used to facilitate safety-related applications; however, in all instances customers and users are responsible for (a) selecting the appropriate Diodes products for their applications, (b) evaluating the suitability of Diodes' products for their intended applications, (c) ensuring their applications, which incorporate Diodes' products, comply the applicable legal and regulatory requirements as well as safety and functional-safety related standards, and (d) ensuring they design with appropriate safeguards (including testing, validation, quality control techniques, redundancy, malfunction prevention, and appropriate treatment for aging degradation) to minimize the risks associated with their applications.
3. Diodes assumes no liability for any application-related information, support, assistance or feedback that may be provided by Diodes from time to time. Any customer or user of this document or products described herein will assume all risks and liabilities associated with such use, and will hold Diodes and all companies whose products are represented herein or on Diodes' websites, harmless against all damages and liabilities.
4. Products described herein may be covered by one or more United States, international or foreign patents and pending patent applications. Product names and markings noted herein may also be covered by one or more United States, international or foreign trademarks and trademark applications. Diodes does not convey any license under any of its intellectual property rights or the rights of any third parties (including third parties whose products and services may be described in this document or on Diodes' website) under this document.
5. Diodes' products are provided subject to Diodes' Standard Terms and Conditions of Sale (<https://www.diodes.com/about/company/terms-and-conditions/terms-and-conditions-of-sales/>) or other applicable terms. This document does not alter or expand the applicable warranties provided by Diodes. Diodes does not warrant or accept any liability whatsoever in respect of any products purchased through unauthorized sales channel.
6. Diodes' products and technology may not be used for or incorporated into any products or systems whose manufacture, use or sale is prohibited under any applicable laws and regulations. Should customers or users use Diodes' products in contravention of any applicable laws or regulations, or for any unintended or unauthorized application, customers and users will (a) be solely responsible for any damages, losses or penalties arising in connection therewith or as a result thereof, and (b) indemnify and hold Diodes and its representatives and agents harmless against any and all claims, damages, expenses, and attorney fees arising out of, directly or indirectly, any claim relating to any noncompliance with the applicable laws and regulations, as well as any unintended or unauthorized application.
7. While efforts have been made to ensure the information contained in this document is accurate, complete and current, it may contain technical inaccuracies, omissions and typographical errors. Diodes does not warrant that information contained in this document is error-free and Diodes is under no obligation to update or otherwise correct this information. Notwithstanding the foregoing, Diodes reserves the right to make modifications, enhancements, improvements, corrections or other changes without further notice to this document and any product described herein. This document is written in English but may be translated into multiple languages for reference. Only the English version of this document is the final and determinative format released by Diodes.
8. Any unauthorized copying, modification, distribution, transmission, display or other use of this document (or any portion hereof) is prohibited. Diodes assumes no responsibility for any losses incurred by the customers or users or any third parties arising from any such unauthorized use.
9. This Notice may be periodically updated with the most recent version available at <https://www.diodes.com/about/company/terms-and-conditions/important-notice>

The Diodes logo is a registered trademark of Diodes Incorporated in the United States and other countries.
All other trademarks are the property of their respective owners.
© 2024 Diodes Incorporated. All Rights Reserved.

www.diodes.com

X-ON Electronics

Largest Supplier of Electrical and Electronic Components

Click to view similar products for [Power Switch ICs - Power Distribution](#) *category:*

Click to view products by [Diodes Incorporated](#) *manufacturer:*

Other Similar products are found below :

[TLE6232GP](#) [VND5E004ATR-E](#) [FPF1018](#) [DS1222](#) [SZNCP3712ASNT3G](#) [NCP45520IMNTWG-H](#) [VND5004ATR-E](#) [AP22811BW5-7](#)
[SLG5NT1437VTR](#) [SZNCP3712ASNT1G](#) [DML1008LDS-7](#) [TS13011-QFNR](#) [VND7012AYTR](#) [NCV459MNWTBG](#) [NCP4545IMNTWG-L](#)
[NCV8412ASTT1G](#) [NCV8412ASTT3G](#) [FPF2260ATMX](#) [SLG5NT1765V](#) [SLG5NT1757V](#) [NCP45780IMN24RTWG](#) [AP2151AMP-13](#)
[NCP45540IMNTWG-L](#) [TPS2022P](#) [FPF2495BUCX](#) [NCP45650IMNTWG](#) [DK5V100R20S](#) [BTS7020-2EPA](#) [BTT6100-2ERA](#) [BTS71220-4ESA](#) [DK5V100R15M](#) [WS3220C9-9/TR](#) [AW32405CSR](#) [BTT6030-2ERA](#) [TLE75602-ESH](#) [BTS5200-4EKA](#) [DK5V150R25M](#) [DK5V45R25](#)
[DK5V100R25S](#) [AW35206FOR](#) [BTS7120-2EPA](#) [TLE75008-ESD](#) [BTS7040-1EPA](#) [BTT6030-1ERA](#) [DK5V60R10S](#) [DK5V60R10](#)
[DK5V45R15S](#) [DK5V100R15S](#) [DK5V85R15](#) [WS4632C-4/TR](#)