

**0.2A SINGLE CHANNEL CURRENT-LIMITED LOAD SWITCH  
WITH OUTPUT TRANSIENT DISCHARGE**

NEW PRODUCT

**Description**

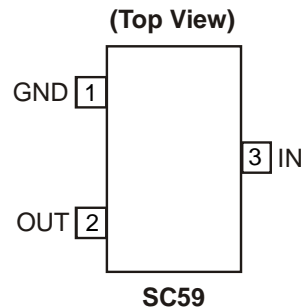
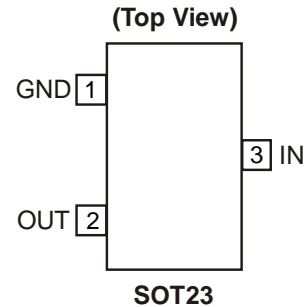
The AP2331TD is a single channel current-limited integrated high-side power switcher optimized for hot-swap applications. The devices have fast short-circuit response time for improved overall system robustness and provide a complete protection solution for application subject to heavy capacitive loads and the prospect of short circuit. It offers reverse-current blocking, over-current, over-temperature and short-circuit protection, as well as controlled rise time and under-voltage lockout functionality.

The device is available in SOT23 and SC59 packages.

**Features**

- Quick Turn-off of Output Discharge Path at Power Down
- Input Voltage Range: 2.7V to 5.2V
- Fast Short-Circuit Response Time
- 0.4A Accurate Current Limiting
- 250mΩ On-Resistance
- Reverse-Current Blocking
- Built-In Soft-Start with 0.7ms Typical Turn-On Time
- Over-Current Protection
- Over-Voltage Protection
- Short-Circuit and Thermal Protection
- ESD Protection: 3kV HBM, 300V MM
- Ambient Temperature Range: -40°C to +85°C
- Available in "Green" Molding Compound (No Br, Sb)
- **Totally Lead-Free & Fully RoHS Compliant (Notes 1 & 2)**
- **Halogen and Antimony Free. "Green" Device (Note 3)**
- UL Recognized, File Number E322375
- IEC60950-1 CB Scheme Certified

**Pin Assignments**

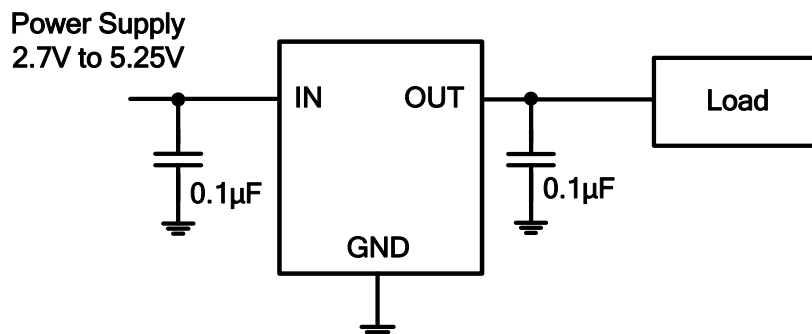


**Applications**

- LCD TVs & Monitors
- Set-Top Boxes, Residential Gateways
- Laptops, Desktops, Servers
- Printers, Docking Stations, HUBs
- Smart Phones, e-Readers

Notes: 1. No purposely added lead. Fully EU Directive 2002/95/EC (RoHS) & 2011/65/EU (RoHS 2) compliant.  
 2. See [http://www.diodes.com/quality/lead\\_free.html](http://www.diodes.com/quality/lead_free.html) for more information about Diodes Incorporated's definitions of Halogen- and Antimony-free, "Green" and Lead-free.  
 3. Halogen- and Antimony-free "Green" products are defined as those which contain <900ppm bromine, <900ppm chlorine (<1500ppm total Br + Cl) and <1000ppm antimony compounds.

**Typical Application Circuit**



## Pin Descriptions

Pin Name	Pin Number	Functions
GND	1	GND
OUT	2	Switch Output Pin
IN	3	Voltage Input Pin

## Absolute Maximum Ratings (@T<sub>A</sub> = +25°C, unless otherwise specified.)

Symbol	Parameter	Ratings	Unit
ESD HBM	Human Body Model ESD Protection	3	kV
ESD MM	Machine Model ESD Protection	300	V
V <sub>IN</sub>	Input Voltage Relative to GND	6.5	V
V <sub>OUT</sub>	Output Voltage Relative to GND	V <sub>IN</sub> + 0.3	V
I <sub>LOAD</sub>	Maximum Continuous Load Current	Internal Limited	A
T <sub>JMAX</sub>	Maximum Junction Temperature	+150	°C
T <sub>ST</sub>	Storage Temperature Range (Note 4)	-65 to +150	°C

Note: 4. UL Recognized Rating from -30°C to +70°C (Diodes Incorporated qualified T<sub>ST</sub> from -65°C to +150°C).

## Recommended Operating Conditions (@T<sub>A</sub> = +25°C, unless otherwise specified.)

Symbol	Parameter	Min	Max	Unit
V <sub>IN</sub>	Input Voltage Relative to GND	2.7	5.2	V
I <sub>OUT</sub>	Output Current	0	0.2	A
T <sub>A</sub>	Operating Ambient Temperature	-40	+85	°C

## Electrical Characteristics (@T<sub>A</sub> = +25°C, V<sub>IN</sub> = 5V, unless otherwise specified.)

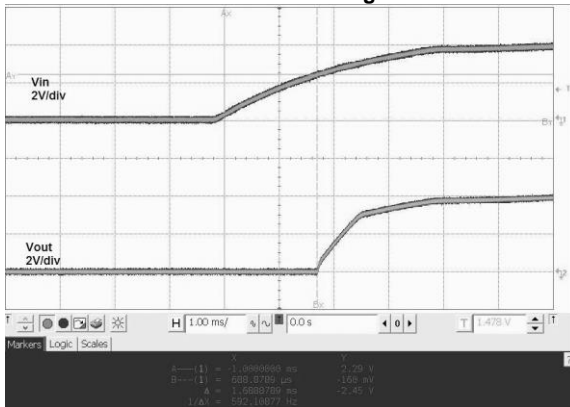
Symbol	Parameter	Test Conditions (Note 5)	Min	Typ	Max	Unit
V <sub>UVLO</sub>	Input UVLO	V <sub>IN</sub> rising	2.35	—	2.65	V
I <sub>Q</sub>	Input Quiescent Current	Above UVLO, I <sub>OUT</sub> = 0	—	85	125	μA
I <sub>REV</sub>	Reverse Leakage Current	V <sub>IN</sub> = 0V, V <sub>OUT</sub> = 5V, I <sub>REV</sub> at V <sub>IN</sub>	—	0.01	0.10	μA
R <sub>DS(ON)</sub>	Switch On-resistance	V <sub>IN</sub> = 5V, I <sub>OUT</sub> = 0.2A	100	250	350	mΩ
I <sub>LIMIT</sub>	Over-load Current Limit	V <sub>IN</sub> = 5V, V <sub>OUT</sub> = 4V	0.3	0.4	0.5	A
I <sub>OS</sub>	Short-circuit Current	OUT shorted to ground	0.3	0.4	0.5	A
I <sub>ROCP</sub>	Reverse-current Trigger Point	V <sub>IN</sub> = 5.0V, V <sub>OUT</sub> = 5.2V	—	0.20	0.25	A
t <sub>TRIG</sub>	Deglintch Time from Reverse Current Trigger to MOSFET Turn Off	(Note 6)	0.5	0.7	1.0	ms
V <sub>OVP</sub>	Output Over-voltage Trip Point	(Note 7)	5.3	—	5.6	V
t <sub>OVP</sub>	Debounce Time from Output Over-voltage to MOSFET Turn Off	—	—	15	—	μs
V <sub>REC</sub>	Recovery after Turn-off from ROCP and OVP	—	—	101%*V <sub>IN</sub>	—	V
t <sub>ON</sub>	Output Turn-on Time (Note 8)	C <sub>L</sub> = 0.1μF, R <sub>LOAD</sub> = 20Ω (UVLO to 90% V <sub>OUT-NOM</sub> )	—	0.7	—	ms
T <sub>SHDN</sub>	Thermal Shutdown Threshold	V <sub>IN</sub> = 2.7V to 5.25V	—	+150	—	°C
T <sub>HYS</sub>	Thermal Shutdown Hysteresis	—	—	+20	—	°C
θ <sub>JA</sub>	Thermal Resistance Junction-to-Ambient (Note 9)	SOT23	—	215	—	°C/W
		SC59	—	255	—	°C/W

- Notes:
- Pulse-testing techniques maintain junction temperature close to ambient temperature; thermal effects must be taken into account separately.
  - When reverse current triggers at I<sub>ROCP</sub> = 0.20A, the reverse current is continuously clamped at I<sub>ROCP</sub> for 0.7ms deglitch time until MOSFET is turned off.
  - During output over-voltage protection, the output draws approximately 60μA current.
  - Since the output turn-on slew rate is dependent on input supply slew rate, this limit is only applicable for input supply slew rate between V<sub>IN</sub>/0.2ms to V<sub>IN</sub>/1ms.
  - Device mounted on FR-4 substrate PCB, 2oz copper, with minimum recommended pad layout.

**Typical Performance Characteristics**

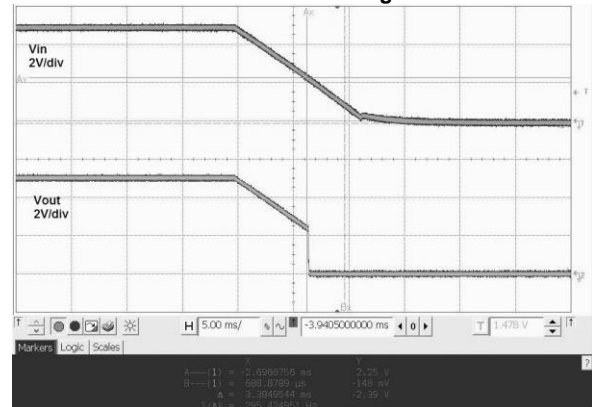
NEW PRODUCT

**UVLO Increasing**



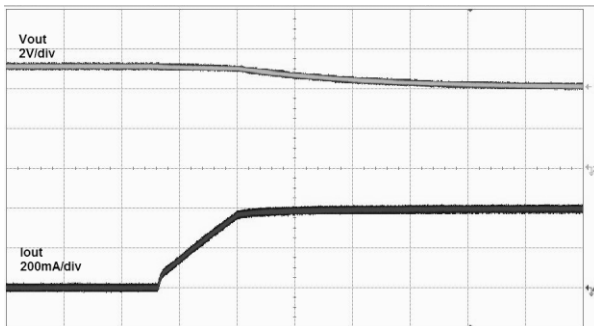
1ms/div

**UVLO Decreasing**



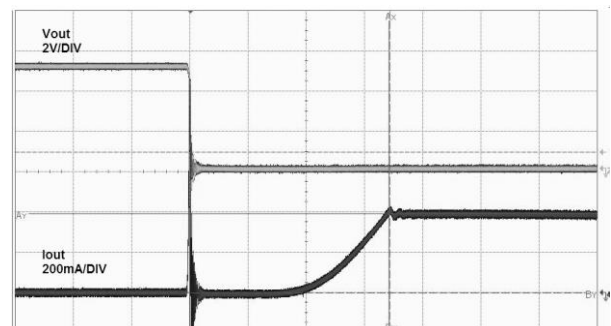
5ms/div

**Over-Load Current Limit**



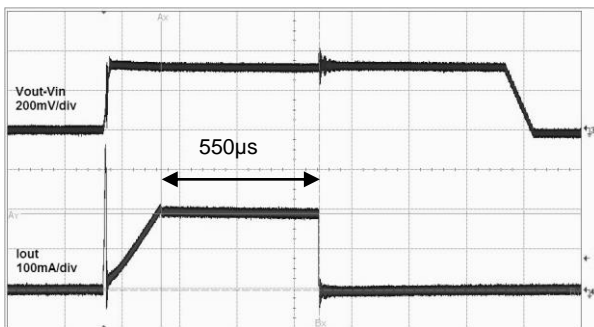
5ms/div

**Short-Circuit Current Limit**



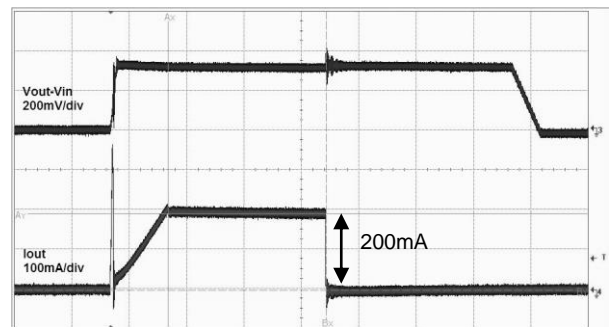
100µs/div

**Deglitch Time from Reverse-Current Trigger to MOSFET Turn-Off**



200µs/div

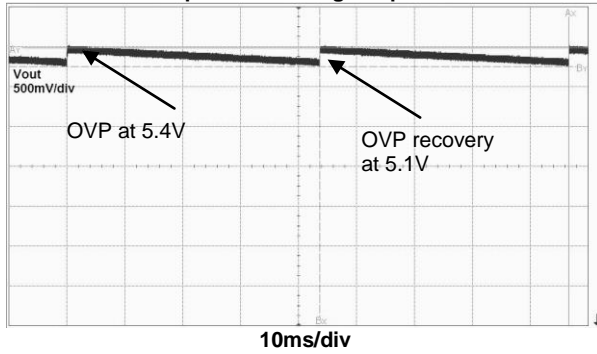
**Reverse-Current Limit**



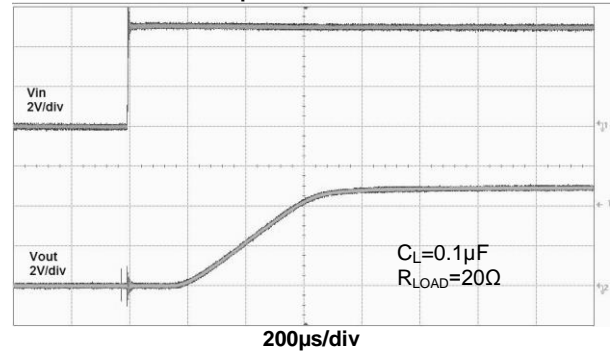
200µs/div

**Typical Performance Characteristics (Cont.)**

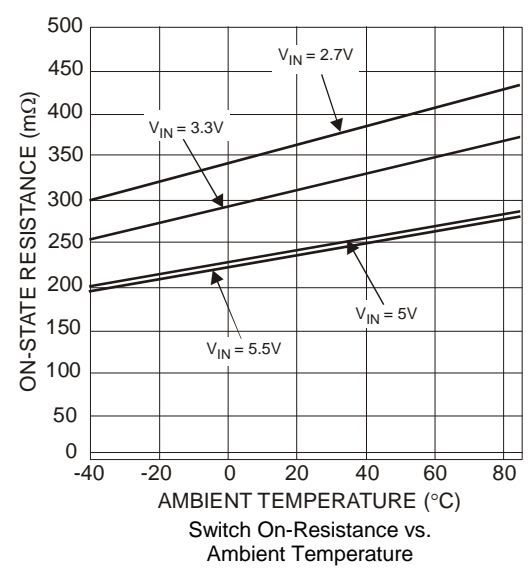
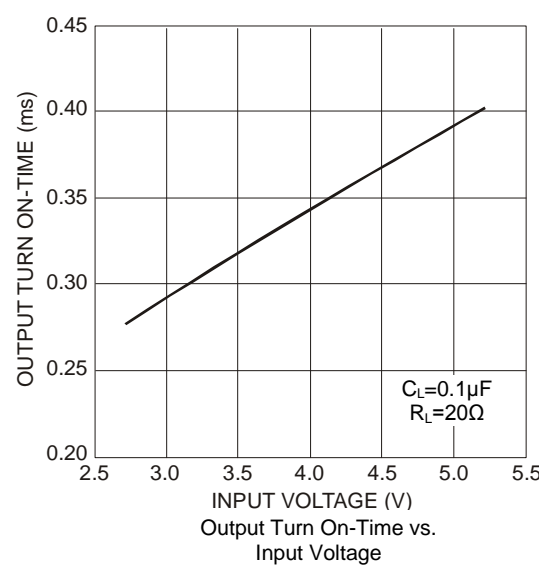
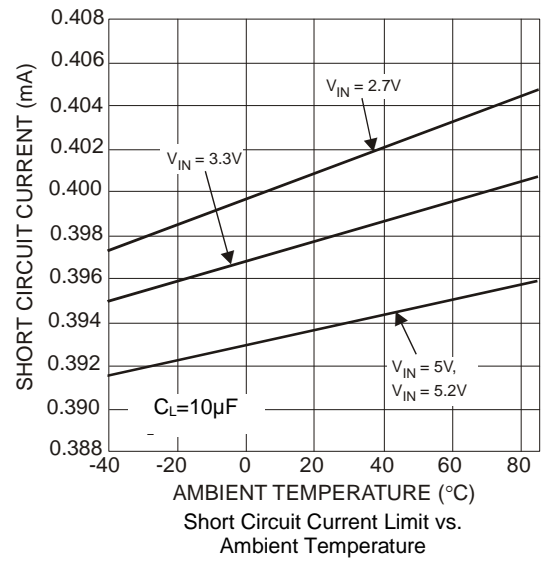
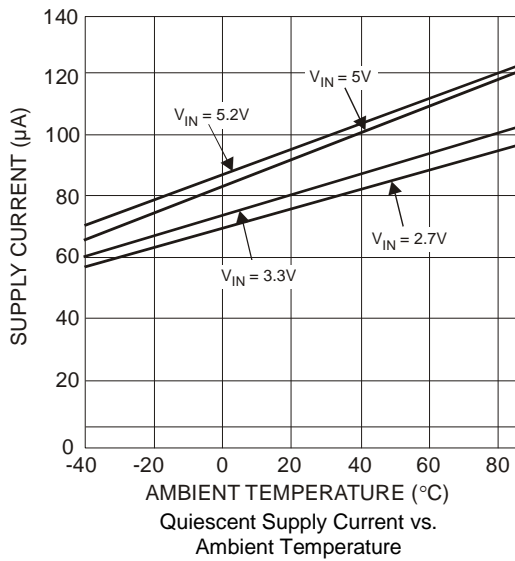
**Output Over-Voltage Trip Point**



**Output Turn-On Time**

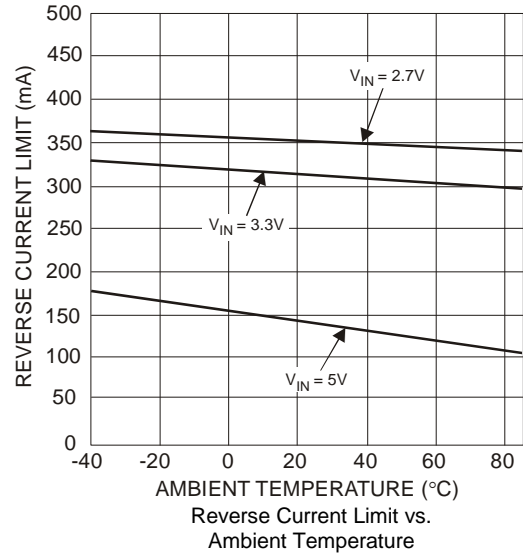
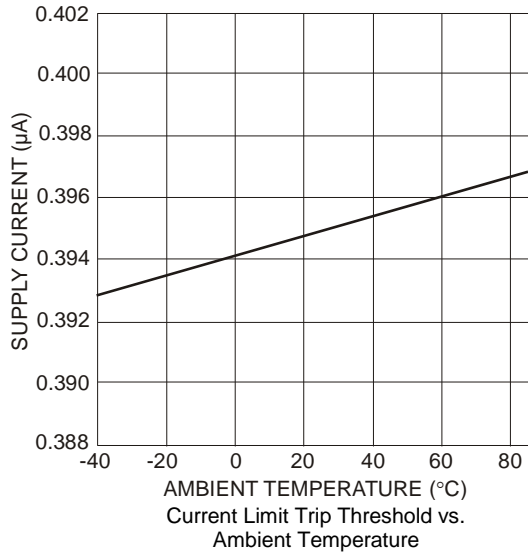


NEW PRODUCT



**Typical Performance Characteristics (Cont.)**

NEW PRODUCT



## Application Information

### Input and Output Capacitors

Minimum 0.1µF ceramic bypass capacitor from VIN to GND, located near the device, is strongly recommended to suppress the ringing during short circuit condition. 0.1µF close to device output pin is also required to reduce output transient voltage on a short event.

### Under-Voltage Lockout (UVLO)

Under-voltage lockout function (UVLO) guarantees that the internal power switch is initially off during start-up. The UVLO functions only when the power supply has reached at least 2.5V (TYP). Whenever the input voltage falls below approximately 2.5V, the power switch is turned off. This facilitates the design of hot-insertion systems where it is not possible to turn off the power switch before input power is removed.

### Over-Current and Short-Circuit Protection

An internal sensing FET is employed to check for over current conditions. Unlike current-sense resistors, sense FETs do not increase the series resistance of the current path. When an over current condition is detected, the device maintains a constant output current and reduces the output voltage accordingly. Complete shutdown occurs only if the fault stays long enough to activate thermal limiting.

The different overload conditions and the corresponding response of the AP2331TD are outlined below:

S.NO.	Conditions	Explanation	Behavior of the AP2331TD
1	Short-circuit condition at start-up	Output is shorted before input voltage is applied or before the part is powered up.	The IC senses the short circuit and immediately clamps output current to a certain safe level namely $I_{LIMIT}$
2	Short-circuit or Over current condition	Short-Circuit or Overload condition that occurs when the part is powered up and above UVLO.	At the instance the overload occurs, higher current may flow for a very short period of time before the current limit function can react. After the current limit function has tripped (reached the over-current trip threshold), the device switches into current limiting mode and the current is clamped at $I_{LIMIT}$ .
3	Gradual increase from nominal operating current to $I_{LIMIT}$	Load increases gradually until the current-limit threshold.	The current rises until $I_{LIMIT}$ . Once the threshold has been reached, the device switches into its current limiting mode and is clamped at $I_{LIMIT}$ .

### Reverse-Current Protection

The USB specification does not allow an output device to source current back into the USB port. In a normal MOSFET switch, current will flow in reverse direction (from the output side to the input side) when the output side voltage is higher than the input side. A reverse current limit feature is implemented in the AP2331TD to limit such back currents. Reverse current limit is always active in AP2331TD. Reverse current is limited at  $I_{ROCP}$  level and when the fault exists for more than 700µs, output device is disabled and shut down. This is called the "Deglitch time from reverse current trigger to MOSFET turn off." Recovery from  $I_{ROCP}$  occurs when the output voltage falls to 101% of input voltage.

### Over-Voltage Protection

The device has an output over-voltage protection that triggers when the output voltage reaches 5.3V (MIN). When this fault condition stays on for longer than 15µs, (This is called the "Debounce time from output over voltage to MOSFET turn off") output device is disabled and shut down.

Recovery from ROVP occurs when the output voltage falls to 101% of input voltage.

### Thermal Protection

Thermal protection prevents the IC from damage when the die temperature exceeds safe margins. This mainly occurs when heavy-overload or short-circuit faults are present for extended periods of time. The AP2331TD implements a thermal sensing to monitor the operating junction temperature of the power distribution switch. Once the die temperature rises to approximately +150°C, the Thermal protection feature gets activated as follows: The internal thermal sense circuitry turns the power switch off thus preventing the power switch from damage. Hysteresis in the thermal sense circuit allows the device to cool down to approximately +20°C before the output is turned back on. This built-in thermal hysteresis feature is an excellent feature, as it avoids undesirable oscillations of the thermal protection circuit. The switch continues to cycle in this manner until the load fault is removed, resulting in a pulsed output.

### Discharge Function

When input voltage falls below UVLO, the discharge function is active. The output capacitor is discharged through an internal NMOS that has a discharge resistance of 1.8kΩ. Hence, the output voltage drops down. The internal discharge NMOS is turned off right away to avoid leakage current from output. The transient output discharge feature makes it suitable for HDMI applications.

**Application Information** (Cont.)

**Power Dissipation and Junction Temperature**

The low on-resistance of the internal MOSFET allows the small surface-mount packages to pass large current. Using the maximum operating ambient temperature ( $T_A$ ) and  $R_{DS(ON)}$ , the power dissipation can be calculated by:

$$P_D = R_{DS(ON)} \times I^2$$

Finally, calculate the junction temperature:

$$T_J = P_D \times R_{\theta JA} + T_A$$

Where:

$T_A$  = Ambient Temperature °C

$R_{\theta JA}$  = Thermal Resistance

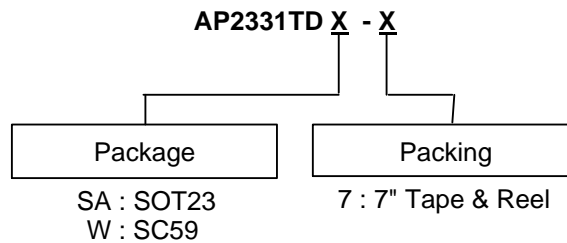
$P_D$  = Total Power Dissipation

**Layout Consideration**

Good PCB layout is important for improving the thermal performance of the device. All trace lengths should be kept as short as possible. The input (IN) and output (OUT) PCB traces should be as wide as possible to reduce stray impedance. Use a ground plane to enhance the power dissipation capability of the device if applicable.

1. Please place the input capacitors near the IN pin as close as possible to minimize the effects of parasitic inductance.
2. Output decoupling capacitors must be placed near the device as close as possible for decoupling transient noises.
3. The negative pins of the input and output capacitors and the GND pin must be connected to the ground plane of the load.
4. Keep VIN and VOUT traces as wide and short as possible.

**Ordering Information**



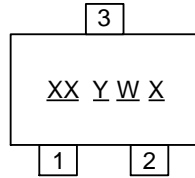
Part Number	Package Code	Packaging (Note 10)	7" Tape and Reel	
			Quantity	Part Number Suffix
AP2331TDSA-7	SA	SOT23	3000/Tape & Reel	-7
AP2331TDW-7	W	SC59	3000/Tape & Reel	-7

Note: 10. Pad layout as shown in Diodes Incorporated's package outline PDFs, which can be found on our website at <http://www.diodes.com/package-outlines.html>.

**Marking Information**

(1) SOT23

( Top View )

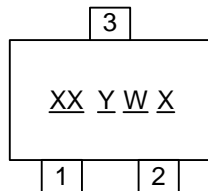


XX : Identification code  
Y : Year 0~9  
W : Week : A~Z : 1~26 week;  
a~z : 27~52 week; z represents  
52 and 53 week  
X : A~Z : Internal code

Part Number	Package	Identification Code
AP2331TDSA-7	SOT23	KP

(2) SC59

( Top View )



XX : Identification code  
Y : Year 0~9  
W : Week : A~Z : 1~26 week;  
a~z : 27~52 week; z represents  
52 and 53 week  
X : A~Z : Internal code

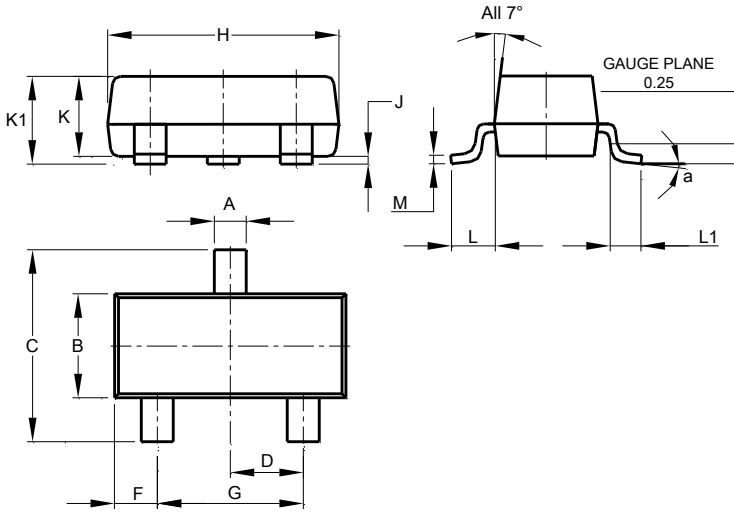
Part Number	Package	Identification Code
AP2331TDW-7	SC59	KR



**Package Outline Dimensions**

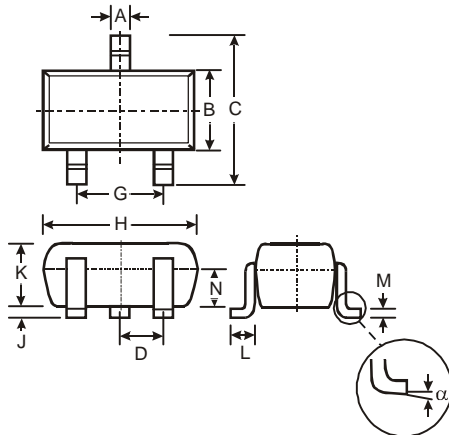
Please see <http://www.diodes.com/package-outlines.html> for the latest version.

(1) SOT23



SOT23			
Dim	Min	Max	Typ
A	0.37	0.51	0.40
B	1.20	1.40	1.30
C	2.30	2.50	2.40
D	0.89	1.03	0.915
F	0.45	0.60	0.535
G	1.78	2.05	1.83
H	2.80	3.00	2.90
J	0.013	0.10	0.05
K	0.890	1.00	0.975
K1	0.903	1.10	1.025
L	0.45	0.61	0.55
L1	0.25	0.55	0.40
M	0.085	0.150	0.110
a	0°	8°	--
All Dimensions in mm			

(2) SC59



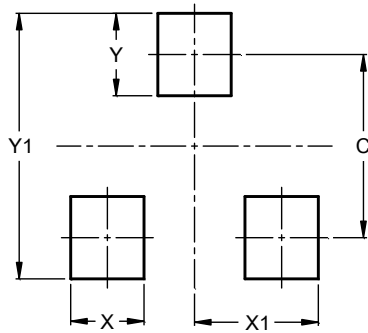
SC59			
Dim	Min	Max	Typ
A	0.35	0.50	0.38
B	1.50	1.70	1.60
C	2.70	3.00	2.80
D	-	-	0.95
G	-	-	1.90
H	2.90	3.10	3.00
J	0.013	0.10	0.05
K	1.00	1.30	1.10
L	0.35	0.55	0.40
M	0.10	0.20	0.15
N	0.70	0.80	0.75
	0°	8°	-
All Dimensions in mm			

NEW PRODUCT

**Suggested Pad Layout**

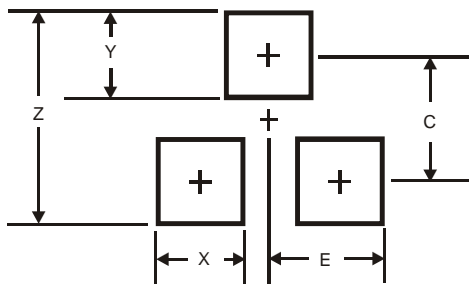
Please see <http://www.diodes.com/package-outlines.html> for the latest version.

(1) SOT23



Dimensions	Value (in mm)
C	2.0
X	0.8
X1	1.35
Y	0.9
Y1	2.9

(2) SC59



Dimensions	SC59
Z	3.4
X	0.8
Y	1.0
C	2.4
E	1.35

NEW PRODUCT

**IMPORTANT NOTICE**

DIODES INCORPORATED MAKES NO WARRANTY OF ANY KIND, EXPRESS OR IMPLIED, WITH REGARDS TO THIS DOCUMENT, INCLUDING, BUT NOT LIMITED TO, THE IMPLIED WARRANTIES OF MERCHANTABILITY AND FITNESS FOR A PARTICULAR PURPOSE (AND THEIR EQUIVALENTS UNDER THE LAWS OF ANY JURISDICTION).

Diodes Incorporated and its subsidiaries reserve the right to make modifications, enhancements, improvements, corrections or other changes without further notice to this document and any product described herein. Diodes Incorporated does not assume any liability arising out of the application or use of this document or any product described herein; neither does Diodes Incorporated convey any license under its patent or trademark rights, nor the rights of others. Any Customer or user of this document or products described herein in such applications shall assume all risks of such use and will agree to hold Diodes Incorporated and all the companies whose products are represented on Diodes Incorporated website, harmless against all damages.

Diodes Incorporated does not warrant or accept any liability whatsoever in respect of any products purchased through unauthorized sales channel. Should Customers purchase or use Diodes Incorporated products for any unintended or unauthorized application, Customers shall indemnify and hold Diodes Incorporated and its representatives harmless against all claims, damages, expenses, and attorney fees arising out of, directly or indirectly, any claim of personal injury or death associated with such unintended or unauthorized application.

Products described herein may be covered by one or more United States, international or foreign patents pending. Product names and markings noted herein may also be covered by one or more United States, international or foreign trademarks.

This document is written in English but may be translated into multiple languages for reference. Only the English version of this document is the final and determinative format released by Diodes Incorporated.

**LIFE SUPPORT**

Diodes Incorporated products are specifically not authorized for use as critical components in life support devices or systems without the express written approval of the Chief Executive Officer of Diodes Incorporated. As used herein:

A. Life support devices or systems are devices or systems which:

1. are intended to implant into the body, or
2. support or sustain life and whose failure to perform when properly used in accordance with instructions for use provided in the labeling can be reasonably expected to result in significant injury to the user.

B. A critical component is any component in a life support device or system whose failure to perform can be reasonably expected to cause the failure of the life support device or to affect its safety or effectiveness.

Customers represent that they have all necessary expertise in the safety and regulatory ramifications of their life support devices or systems, and acknowledge and agree that they are solely responsible for all legal, regulatory and safety-related requirements concerning their products and any use of Diodes Incorporated products in such safety-critical, life support devices or systems, notwithstanding any devices- or systems-related information or support that may be provided by Diodes Incorporated. Further, Customers must fully indemnify Diodes Incorporated and its representatives against any damages arising out of the use of Diodes Incorporated products in such safety-critical, life support devices or systems.

Copyright © 2017, Diodes Incorporated

[www.diodes.com](http://www.diodes.com)

## X-ON Electronics

Largest Supplier of Electrical and Electronic Components

*Click to view similar products for* [Power Switch ICs - Power Distribution](#) *category:*

*Click to view products by* [Diodes Incorporated](#) *manufacturer:*

Other Similar products are found below :

[TCK111G,LF\(S\)](#) [FPF1018](#) [DS1222](#) [TCK2065G,LF](#) [SZNCP3712ASNT3G](#) [MIC2033-05BYMT-T5](#) [MIC2033-12AYMT-T5](#) [MIC2033-05BYM6-T5](#) [SLG5NT1437VTR](#) [SZNCP3712ASNT1G](#) [DML1008LDS-7](#) [KTS1670EDA-TR](#) [KTS1640QGDV-TR](#) [KTS1641QGDV-TR](#) [U6513A](#) [MIC2012YM-TR](#) [MP5095GJ-P](#) [TPS2021IDRQ1](#) [TPS2104DBVR](#) [MIC2098-1YMT-TR](#) [MIC94062YMT TR](#) [MIC2015-1.2YM6 TR](#) [MIC2075-2YM](#) [MIC94068YML-TR](#) [SIP32461DB-T2-GE1](#) [NCP335FCT2G](#) [FPF1504UCX](#) [TCK105G,LF\(S\)](#) [AP2411S-13](#) [AP2151DSG-13](#) [AP2172MPG-13](#) [MIC94094YC6-TR](#) [MIC94093YC6-TR](#) [MIC94064YC6-TR](#) [MIC94061YMT-TR](#) [MIC2505-1YM](#) [MIC94085YFT-TR](#) [MIC94042YFL-TR](#) [MIC2005-1.2YM6-TR](#) [SIP32510DT-T1-GE3](#) [NCP333FCT2G](#) [NCP331SNT1G](#) [TPS2092DR](#) [TPS2063DR](#) [MIC2008YML-TR](#) [MIC94084YFT-TR](#) [DIO1280WL12](#) [BTS70202EPAXUMA1](#) [AP22814ASN-7](#) [MIC2043-2YTS](#)