

**High-side Power Distribution Switch with Enable and Flag**

**AP2820**

**General Description**

The AP2820 is an integrated high-side power switch that consists of N-Channel MOSFET, charge pump, over current & temperature and other related protection circuits. The switch's low  $R_{DS(ON)}$ , 60m $\Omega$ , is designed to meet USB voltage drop requirements. The IC includes soft-start to limit inrush current, over-current protection, load short protection with fold-back, and thermal shutdown to avoid switch failure during hot plug-in. Under voltage lockout (UVLO) function is used to ensure the device remain off unless there is a valid input voltage present. A FLAG output is available to indicate fault conditions to the local USB controller.

The AP2820 is available in standard packages of SOIC-8 and MSOP-8.

**Applications**

- USB Power Management
- USB Bus/Self Powered Hubs
- Hot-plug Power Supplies
- Battery-charger Circuits
- Notebooks, Motherboard PCs

**Features**

- Low MOSFET on Resistance: 60m $\Omega$
- Compliant to USB Specifications
- Available 2 Versions of Load Ability:
  - Guarantee 2.0A Continuous Load for A/B/C/D Version
  - Guarantee 2.5A Continuous Load for E/F/G/H Version
- Logic Level Enable Pin: Available with Active-high or Active-low Version
- Operating Voltage Range: 2.7V to 5.5V
- Low Supply Current:
  - 75 $\mu$ A (Typ.) (For A/B/C/D versions)
  - 80 $\mu$ A (Typ.) (For E/F/G/H versions)
- Low Shutdown Current: 1.0 $\mu$ A (Max)
- Under-voltage Lockout
- Soft Start-up
- Over-current Protection
- Over Temperature Protection
- Load Short Protection with Fold-back
- No Reverse Current When Power Off
- Deglitched FLAG Output with Open Drain
- With Output Shutdown Pull-low Resistor for A/C/E/G Versions
- UL Approved (File No. E339337)
- Nemko CB Scheme IEC60950-1, Ref. Certif No. NO62093

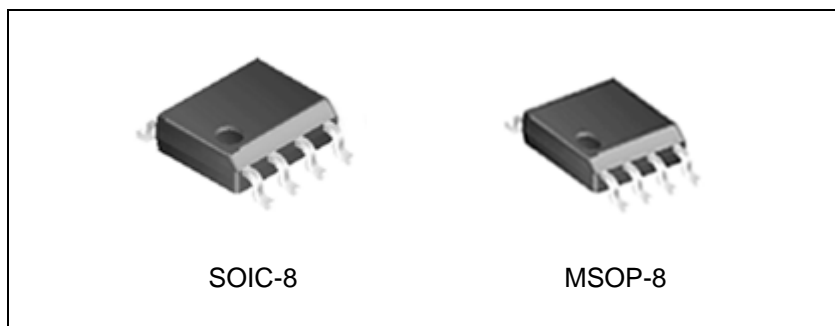


Figure 1. Package Types of AP2820

**High-side Power Distribution Switch with Enable and Flag** **AP2820**

**Pin Configuration**

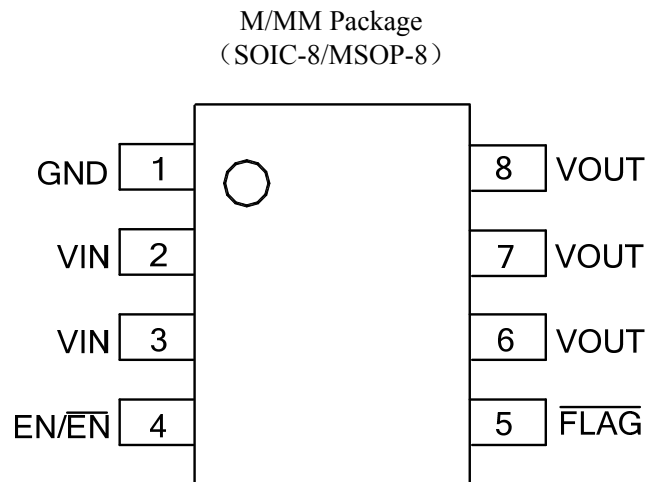


Figure 2. Pin Configuration of AP2820 (Top View)

**Pin Descriptions**

Pin Number	Pin Name	Function
1	GND	Ground
2, 3	VIN	Supply input pin
4	EN/ $\overline{\text{EN}}$	Chip enable control input, active low or high
5	$\overline{\text{FLAG}}$	Fault flag pin, output with open drain, need a pull-up resistor in application, active low to indicate OCP or OTP
6, 7, 8	VOUT	Switch output voltage

**High-side Power Distribution Switch with Enable and Flag AP2820**

**Functional Block Diagram**

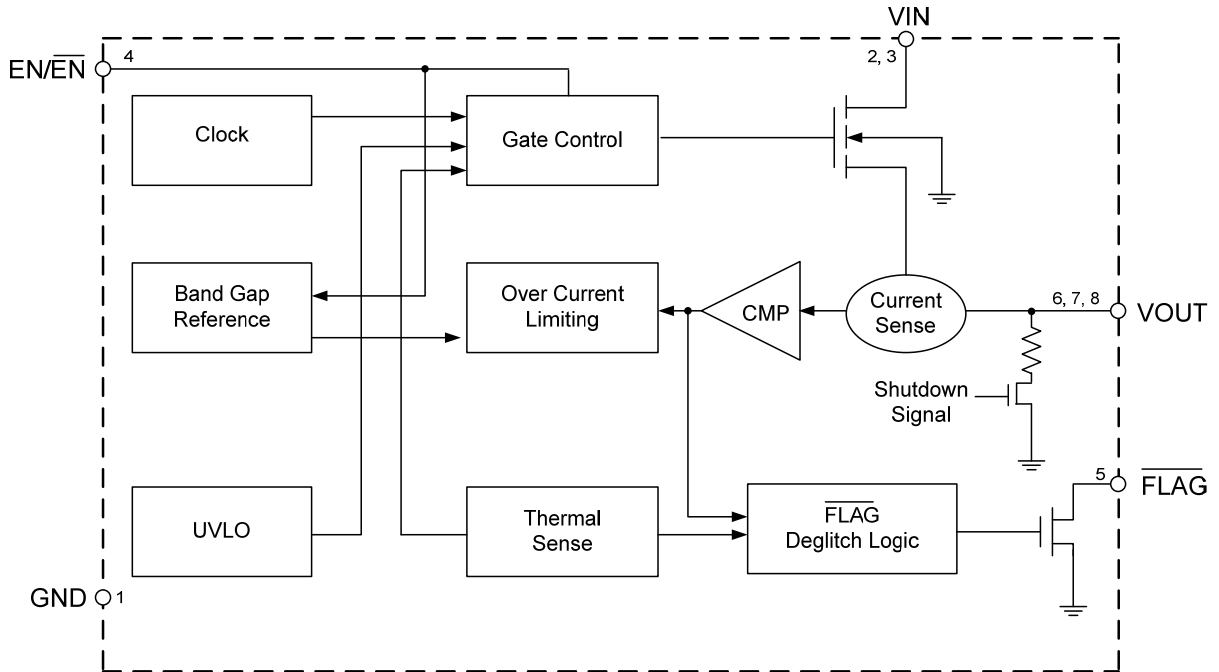
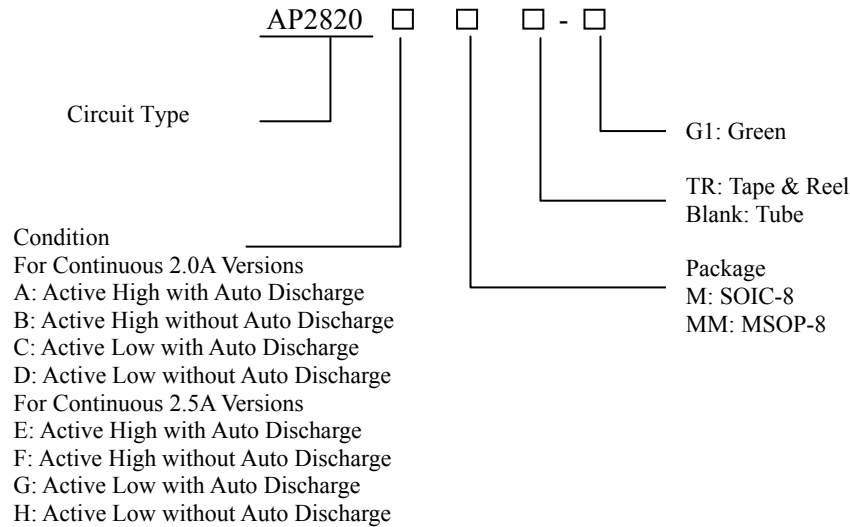


Figure 3. Functional Block Diagram of AP2820



**High-side Power Distribution Switch with Enable and Flag AP2820**

**Ordering Information**



Package	Temperature Range	Condition	Part Number	Marking ID	Packing Type
SOIC-8	-40 to 85°C	Active High with Auto Discharge (Continuous 2.0A)	AP2820AM-G1	2820AM-G1	Tube
			AP2820AMTR-G1	2820AM-G1	Tape & Reel
		Active High without Auto Discharge (Continuous 2.0A)	AP2820BM-G1	2820BM-G1	Tube
			AP2820BMTR-G1	2820BM-G1	Tape & Reel
	-40 to 85°C	Active Low with Auto Discharge (Continuous 2.0A)	AP2820CM-G1	2820CM-G1	Tube
			AP2820CMTR-G1	2820CM-G1	Tape & Reel
		Active Low without Auto Discharge (Continuous 2.0A)	AP2820DM-G1	2820DM-G1	Tube
			AP2820DMTR-G1	2820DM-G1	Tape & Reel
	-40 to 85°C	Active High with Auto Discharge (Continuous 2.5A)	AP2820EM-G1	2820EM-G1	Tube
			AP2820EMTR-G1	2820EM-G1	Tape & Reel
		Active High without Auto Discharge (Continuous 2.5A)	AP2820FM-G1	2820FM-G1	Tube
			AP2820FMTR-G1	2820FM-G1	Tape & Reel
-40 to 85°C	Active Low with Auto Discharge (Continuous 2.5A)	AP2820GM-G1	2820GM-G1	Tube	
		AP2820GMTR-G1	2820GM-G1	Tape & Reel	
	Active Low without Auto Discharge (Continuous 2.5A)	AP2820HM-G1	2820HM-G1	Tube	
		AP2820HMTR-G1	2820HM-G1	Tape & Reel	

**High-side Power Distribution Switch with Enable and Flag****AP2820****Ordering Information (Continued)**

Package	Temperature Range	Condition	Part Number	Marking ID	Packing Type
MSOP-8	-40 to 85°C	Active High with Auto Discharge (Continuous 2.0A)	AP2820AMM-G1	2820AMM-G1	Tube
			AP2820AMMTR-G1	2820AMM-G1	Tape & Reel
		Active High without Auto Discharge (Continuous 2.0A)	AP2820BMM-G1	2820BMM-G1	Tube
			AP2820BMMTR-G1	2820BMM-G1	Tape & Reel
	-40 to 85°C	Active Low with Auto Discharge (Continuous 2.0A)	AP2820CMM-G1	2820CMM-G1	Tube
			AP2820CMMTR-G1	2820CMM-G1	Tape & Reel
		Active Low without Auto Discharge (Continuous 2.0A)	AP2820DMM-G1	2820DMM-G1	Tube
			AP2820DMMTR-G1	2820DMM-G1	Tape & Reel
	-40 to 85°C	Active High with Auto Discharge (Continuous 2.5A)	AP2820EMM-G1	2820EMM-G1	Tube
			AP2820EMMTR-G1	2820EMM-G1	Tape & Reel
		Active High without Auto Discharge (Continuous 2.5A)	AP2820FMM-G1	2820FMM-G1	Tube
			AP2820FMMTR-G1	2820FMM-G1	Tape & Reel
	-40 to 85°C	Active Low with Auto Discharge (Continuous 2.5A)	AP2820GMM-G1	2820GMM-G1	Tube
			AP2820GMMTR-G1	2820GMM-G1	Tape & Reel
Active Low without Auto Discharge (Continuous 2.5A)		AP2820HMM-G1	2820HMM-G1	Tube	
		AP2820HMMTR-G1	2820HMM-G1	Tape & Reel	

BCD Semiconductor's Pb-free products, as designated with "G1" suffix in the part number, are RoHS compliant and green.

**High-side Power Distribution Switch with Enable and Flag****AP2820****Absolute Maximum Ratings (Note 1)**

Parameter	Symbol	Value		Unit
Power Supply Voltage	$V_{IN}$	6.0		V
Operating Junction Temperature Range	$T_J$	150		°C
Storage Temperature Range	$T_{STG}$	-65 to 150		°C
Lead Temperature (Soldering, 10sec)	$T_{LEAD}$	260		°C
Thermal Resistance Junction to Ambient	$\theta_{JA}$	SOIC-8	135	°C/W
		MSOP-8	150	
CDM (Charge Device Model)		1000		V
ESD (Human Body Model)		2000		V

Note 1: Stresses greater than those listed under “Absolute Maximum Ratings” may cause permanent damage to the device. These are stress ratings only, and functional operation of the device at these or any other conditions beyond those indicated under “Recommended Operating Conditions” is not implied. Exposure to “Absolute Maximum Ratings” for extended periods may affect device reliability.

**Recommended Operating Conditions**

Parameter	Symbol	Min	Max	Unit
Supply Voltage	$V_{IN}$	2.7	5.5	V
Operating Ambient Temperature Range	$T_A$	-40	85	°C

**High-side Power Distribution Switch with Enable and Flag****AP2820****Electrical Characteristics****For A/B/C/D Versions**

( $V_{IN}=5.0V$ ,  $C_{IN}=2.2\mu F$ ,  $C_{OUT}=1.0\mu F$ , Typical  $T_A=25^\circ C$ , **Bold** typeface applies over  $-40^\circ C \leq T_A \leq 85^\circ C$  ranges, unless otherwise specified)

Parameter	Symbol	Condition	Min	Typ	Max	Unit
Input Voltage Range	$V_{IN}$		2.7		5.5	V
Switch On Resistance	$R_{DS(ON)}$	$V_{IN}=5V$ , $I_{OUT}=2.0A$		60	80	m $\Omega$
Current Limit	$I_{LIMIT}$	$V_{OUT}=4.0V$	2.2	2.7	3.2	A
Supply Current	$I_{SUPPLY}$	$V_{IN}=5V$ , No Load		75	105	$\mu A$
Fold-back Short Current	$I_{SHORT}$	$V_{OUT}=0$		1.18		A
Shutdown Supply Current	$I_{SHUTDOWN}$	Chip Disable, Shutdown Mode		0.1	1	$\mu A$
Enable High Input Threshold	$V_{ENH}$		1.6		5.5	V
Enable Low Input Threshold	$V_{ENL}$		0		1.0	V
Enable Pin Input Current	$I_{EN}$	Force 0V to 5V at EN Pin	-1.0		1.0	$\mu A$
Under Voltage Lockout Threshold Voltage	$V_{UVLO}$	$V_{IN}$ Increasing from 0V	2.2	2.5	2.7	V
Under Voltage Hysteresis	$V_{UVLOHY}$			0.2		V
Reverse Current	$I_{REVERSE}$	Chip Disable, $V_{OUT} > V_{IN}$		0.1	1.0	$\mu A$
Output Pull Low Resistance after Shutdown	$R_{DISCHARGE}$	AP2820A, AP2820C Only		100	200	$\Omega$
Output Turn-on Time	$t_{ON}$	From Enable Active to 90% of Output		500		$\mu s$
FLAG Pin Delay Time	$t_{DFLG}$	From Over Current Fault Condition to Flag Active	5	10	15	ms
FLAG Pin Low Voltage	$V_{FLG}$	$I_{SINK}=5mA$		35	70	mV
FLAG Pin Leakage Current	$I_{LEAKAGE}$	FLAG Disable, Force 5.0V			1.0	$\mu A$
Thermal Shutdown Temperature	$T_{OTSD}$			150		$^\circ C$
Thermal Shutdown Hysteresis	$T_{HYOTSD}$			30		$^\circ C$

**High-side Power Distribution Switch with Enable and Flag****AP2820****Electrical Characteristics (Continued)****For E/F/G/H Versions**

( $V_{IN}=5.0V$ ,  $C_{IN}=2.2\mu F$ ,  $C_{OUT}=1.0\mu F$ , Typical  $T_A=25^\circ C$ , **Bold** typeface applies over  $-40^\circ C \leq T_A \leq 85^\circ C$  ranges, unless otherwise specified)

Parameter	Symbol	Condition	Min	Typ	Max	Unit
Input Voltage Range	$V_{IN}$		2.7		5.5	V
Switch On Resistance	$R_{DS(ON)}$	$V_{IN}=5V$ , $I_{OUT}=2.5A$		60	80	m $\Omega$
Current Limit	$I_{LIMIT}$	$V_{OUT}=4.0V$	2.8	3.4	4.2	A
Supply Current	$I_{SUPPLY}$	$V_{IN}=5V$ , No Load		80	110	$\mu A$
Fold-back Short Current	$I_{SHORT}$	$V_{OUT}=0$		1.18		A
Shutdown Supply Current	$I_{SHUTDOWN}$	Chip Disable, Shutdown Mode		0.1	1	$\mu A$
Enable High Input Threshold	$V_{ENH}$		1.6		5.5	V
Enable Low Input Threshold	$V_{ENL}$		0		1.0	V
Enable Pin Input Current	$I_{EN}$	Force 0V to 5V at EN Pin	-1.0		1.0	$\mu A$
Under Voltage Lockout Threshold Voltage	$V_{UVLO}$	$V_{IN}$ Increasing from 0V	2.2	2.5	2.7	V
Under Voltage Hysteresis	$V_{UVLOHY}$			0.2		V
Reverse Current	$I_{REVERSE}$	Chip Disable, $V_{OUT} > V_{IN}$		0.1	1.0	$\mu A$
Output Pull Low Resistance after Shutdown	$R_{DISCHARGE}$	AP2820E, AP2820G Only		100	200	$\Omega$
Output Turn-on Time	$t_{ON}$	From Enable Active to 90% of Output		500		$\mu s$
FLAG Pin Delay Time	$t_{DFLG}$	From Over Current Fault Condition to Flag Active	5	10	15	ms
FLAG Pin Low Voltage	$V_{FLG}$	$I_{SINK}=5mA$		35	70	mV
FLAG Pin Leakage Current	$I_{LEAKAGE}$	FLAG Disable, Force 5.0V			1.0	$\mu A$
Thermal Shutdown Temperature	$T_{OTSD}$			150		$^\circ C$
Thermal Shutdown Hysteresis	$T_{HYOTSD}$			30		$^\circ C$



**High-side Power Distribution Switch with Enable and Flag AP2820**

**Typical Performance Characteristics**

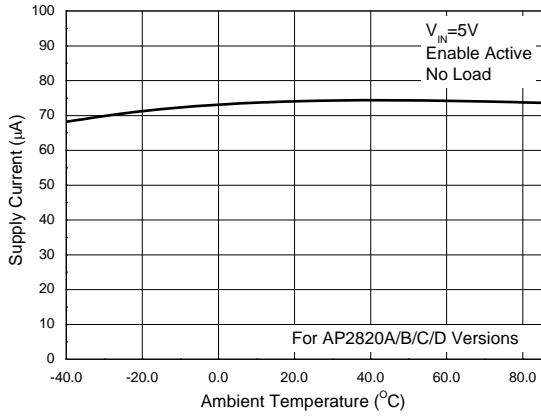


Figure 4. Supply Current vs. Ambient Temperature

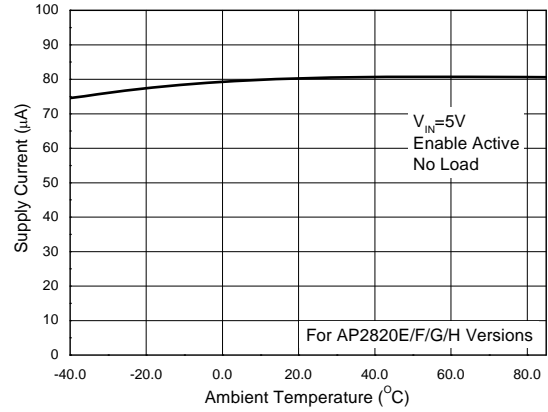


Figure 5. Supply Current vs. Ambient Temperature

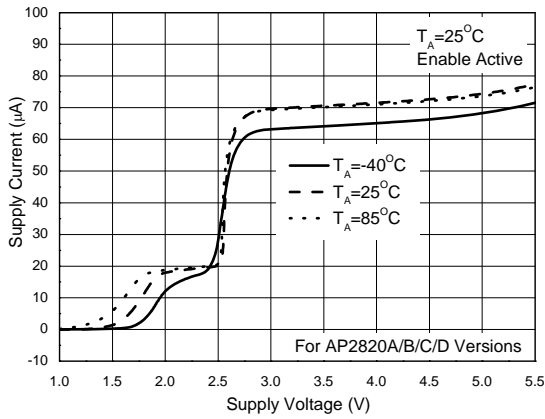


Figure 6. Supply Current vs. Supply Voltage

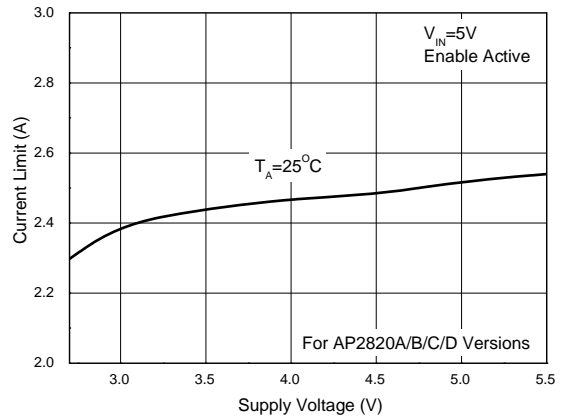


Figure 7. Current Limit vs. Supply Voltage

**High-side Power Distribution Switch with Enable and Flag AP2820**

**Typical Performance Characteristics (Continued)**

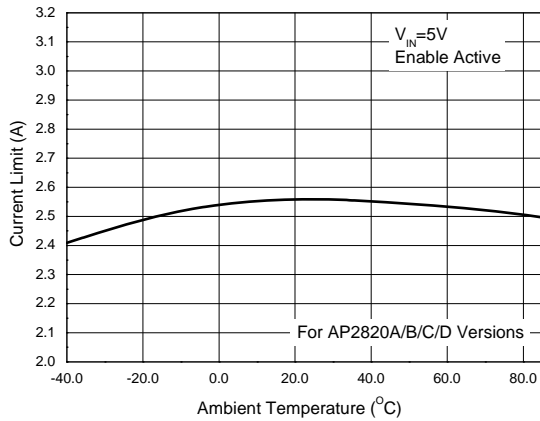


Figure 8. Current Limit vs. Ambient Temperature

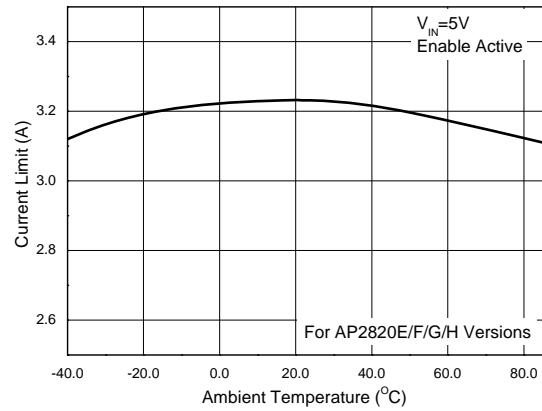


Figure 9. Current Limit vs. Ambient Temperature

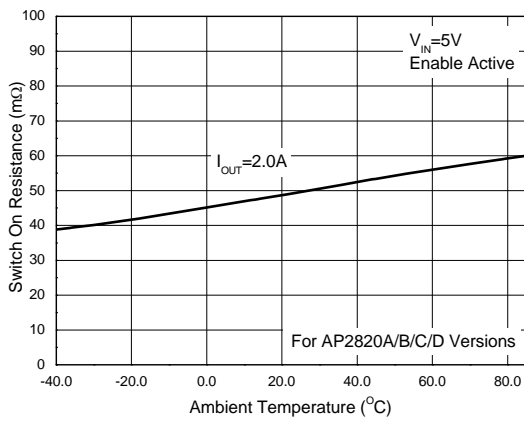


Figure 10. Switch On Resistance vs. Ambient Temperature

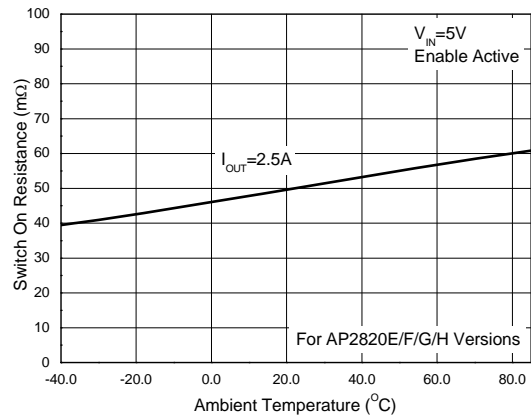


Figure 11. Switch On Resistance vs. Ambient Temperature

**Typical Performance Characteristics (Continued)**

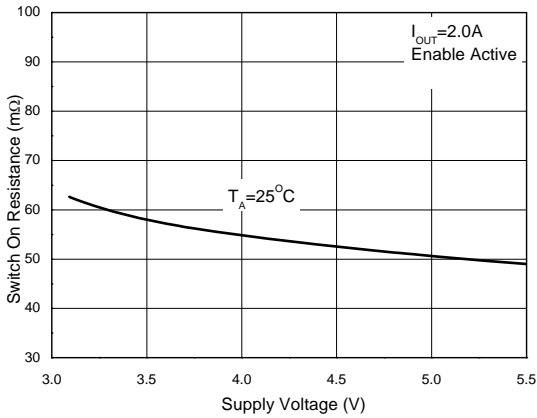


Figure 12. Switch On Resistance vs. Supply Voltage

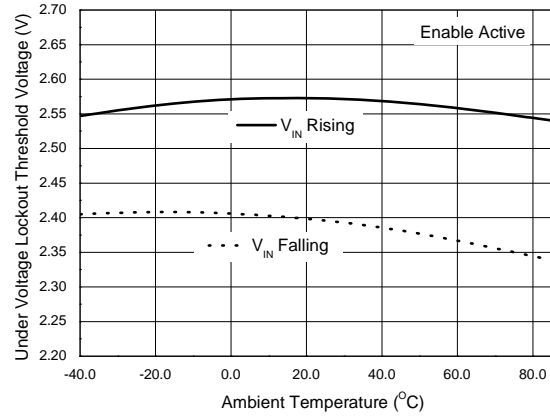


Figure 13. UVLO Voltage vs. Ambient Temperature

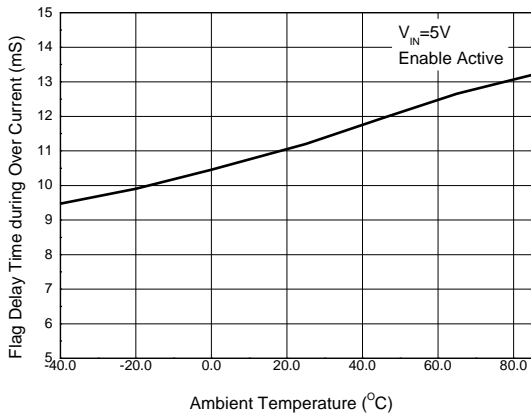


Figure 14. Flag Delay Time during Over Current vs. Ambient Temperature

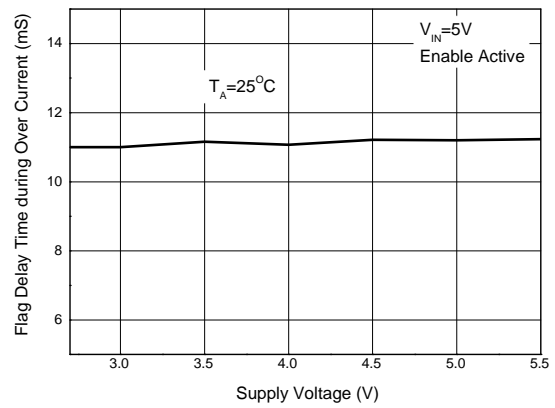


Figure 15. Flag Delay Time during Over Current vs. Supply Voltage

**High-side Power Distribution Switch with Enable and Flag AP2820**

**Typical Performance Characteristics (Continued)**

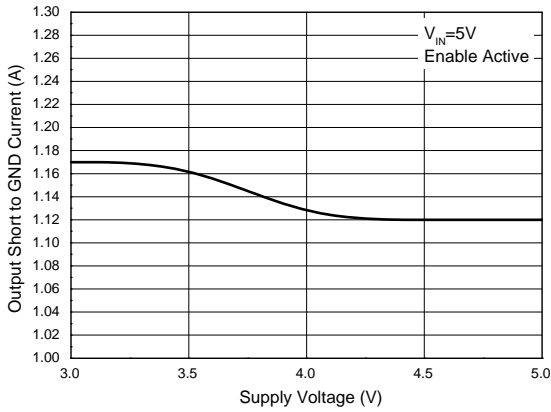


Figure 16. Output Short to GND Current vs. Supply Voltage

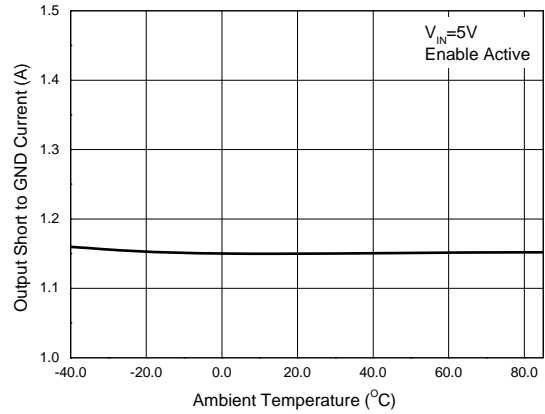


Figure 17. Output Short to GND Current vs. Ambient Temperature

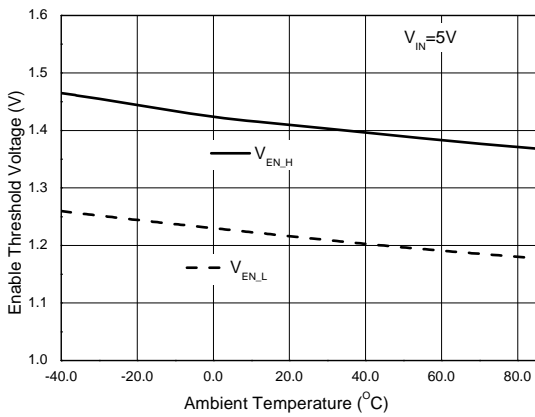


Figure 18. Enable Threshold Voltage vs. Ambient Temperature

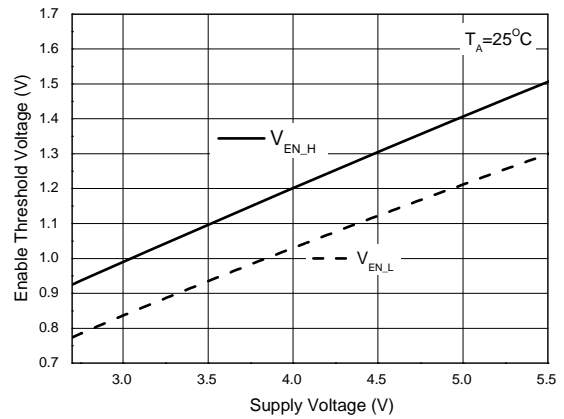
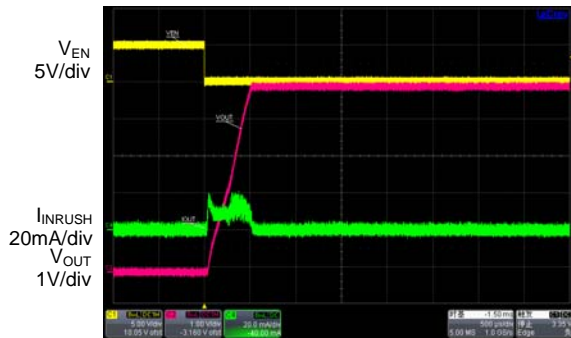


Figure 19. Enable Threshold Voltage vs. Supply Voltage

Typical Performance Characteristics (Continued)



Time 500µs/div

Figure 20. Output Turn On and Rise Time  
( $C_{IN}=1.0\mu F$ ,  $C_{OUT}=1.0\mu F$ , No Load)



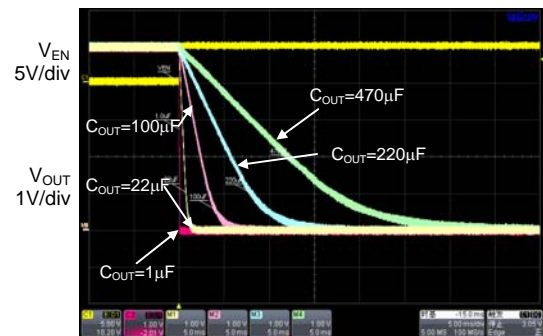
Time 500µs/div

Figure 21. Output Turn On and Rise Time  
( $C_{IN}=1.0\mu F$ ,  $C_{OUT}=1.0\mu F$ ,  $R_L=3.3\Omega$ )



Time 500µs/div

Figure 22. Output Turn On and Rise Time  
( $C_{IN}=1.0\mu F$ ,  $C_{OUT}=220\mu F$ , No Load)



Time 5ms/div

Figure 23. Output Turn Off and Fall Time  
( $V_{IN}=5V$ ,  $C_{IN}=1.0\mu F$ , No Load)

**High-side Power Distribution Switch with Enable and Flag AP2820**

**Typical Performance Characteristics (Continued)**

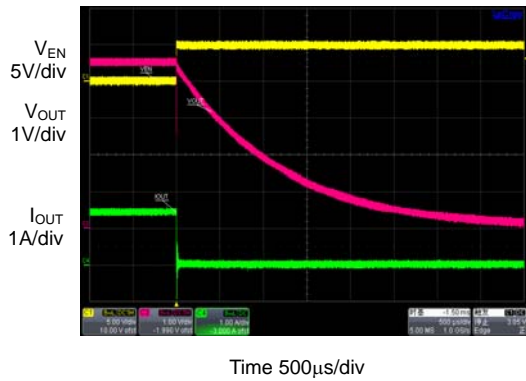


Figure 24. Output Turn Off and Fall Time ( $V_{IN}=5V$ ,  $C_{IN}=1.0\mu F$ ,  $C_{OUT}=470\mu F$ ,  $R_L=3.3\Omega$ )

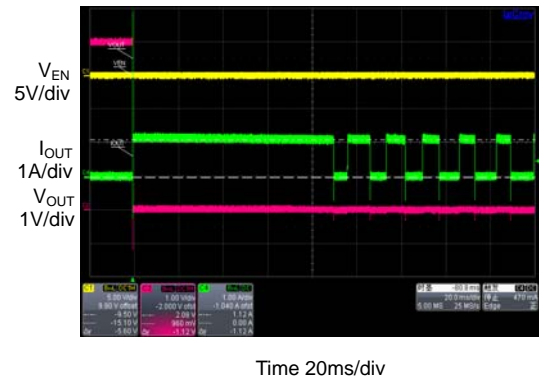


Figure 25. Output Short to GND Current ( $V_{IN}=5V$ ,  $C_{IN}=1.0\mu F$ )

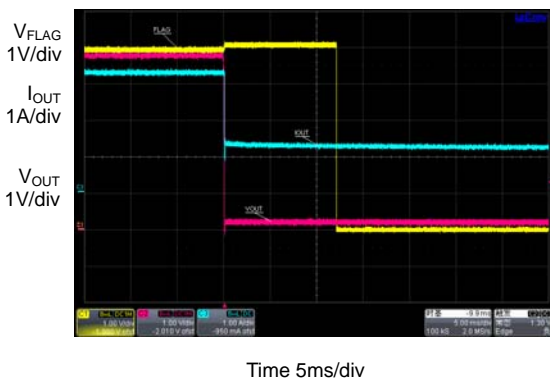


Figure 26. FLAG Response during Over Current

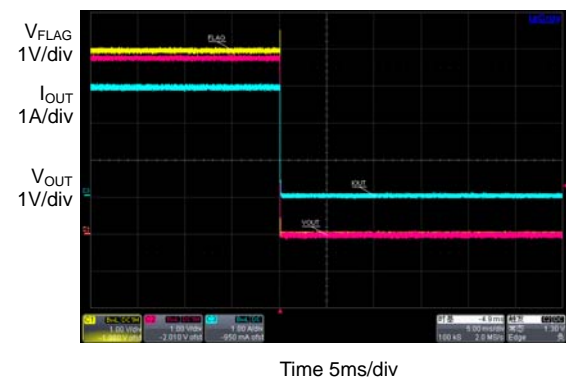
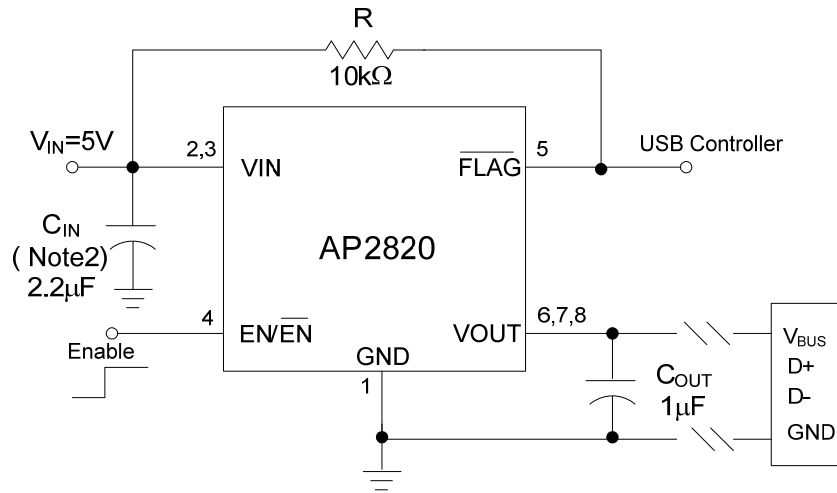


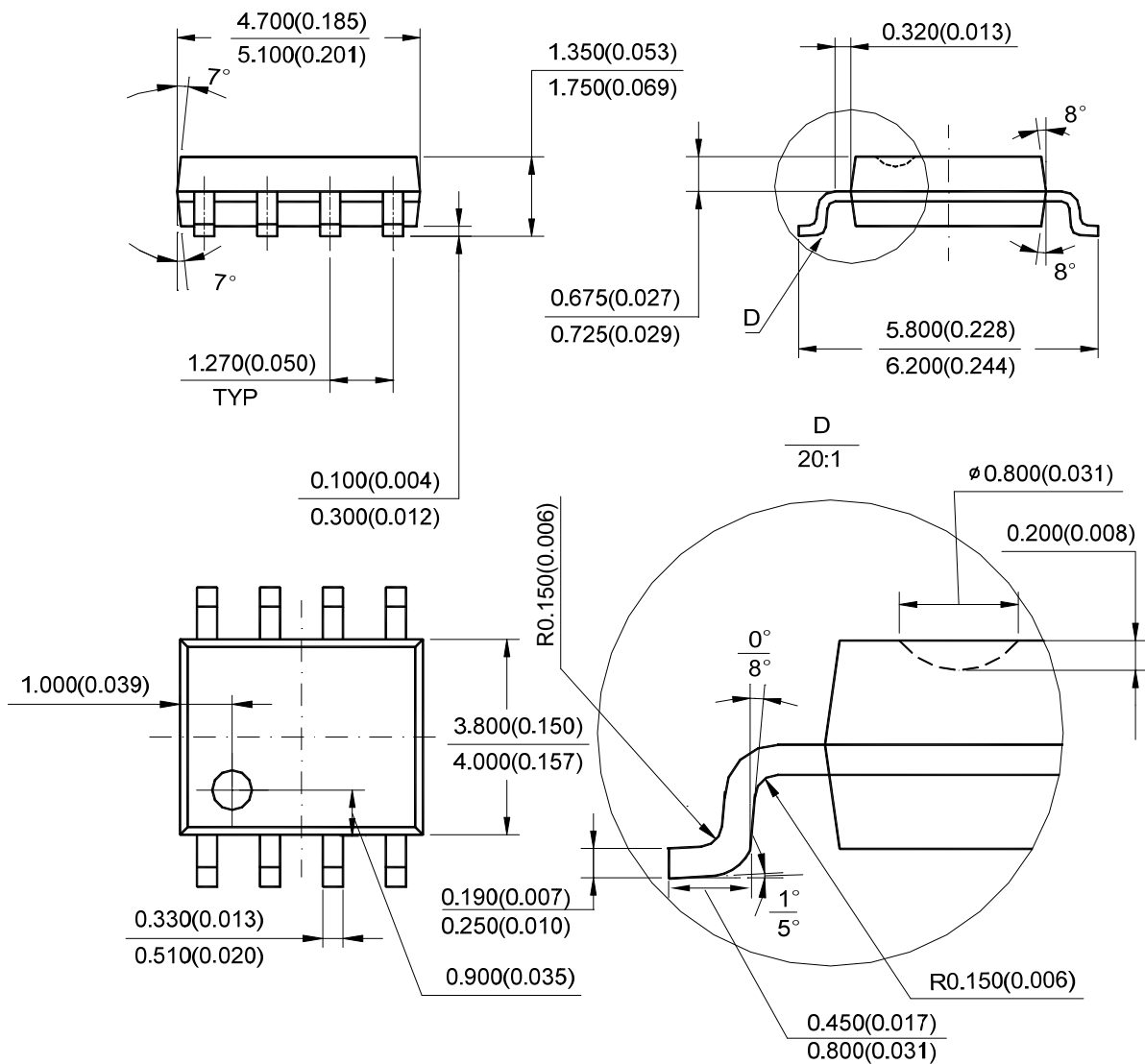
Figure 27. FLAG Response during Over Temperature ( $T_A=125^\circ C$ )

**Typical Application**


Note 2: 2.2μF input capacitor is enough in most application cases.

If the VOUT is short to ground frequently during usage, large size input capacitor is necessary, recommend 22μF.

Figure 28. Typical Application of AP2820

**Mechanical Dimensions**
**SOIC-8**
**Unit: mm(inch)**


Note: Eject hole, oriented hole and mold mark is optional.

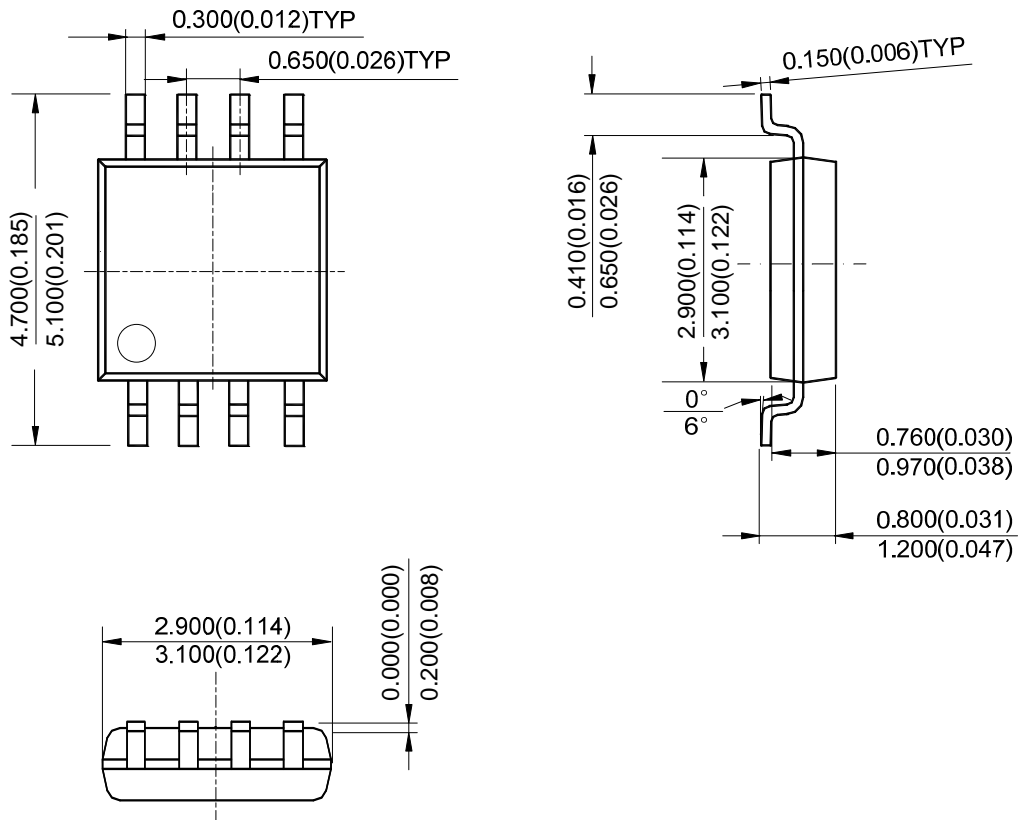


**High-side Power Distribution Switch with Enable and Flag AP2820**

**Mechanical Dimensions (Continued)**

**MSOP-8**

**Unit: mm(inch)**



Note: Eject hole, oriented hole and mold mark is optional.



## **BCD Semiconductor Manufacturing Limited**

<http://www.bcdsemi.com>

### **IMPORTANT NOTICE**

BCD Semiconductor Manufacturing Limited reserves the right to make changes without further notice to any products or specifications herein. BCD Semiconductor Manufacturing Limited does not assume any responsibility for use of any its products for any particular purpose, nor does BCD Semiconductor Manufacturing Limited assume any liability arising out of the application or use of any its products or circuits. BCD Semiconductor Manufacturing Limited does not convey any license under its patent rights or other rights nor the rights of others.

---

#### **MAIN SITE**

##### **- Headquarters**

##### **BCD Semiconductor Manufacturing Limited**

No. 1600, Zi Xing Road, Shanghai Zizhu Science-based Industrial Park, 200241, China  
Tel: +86-21-24162266, Fax: +86-21-24162277

##### **- Wafer Fab**

##### **Shanghai SIM-BCD Semiconductor Manufacturing Co., Ltd.**

800 Yi Shan Road, Shanghai 200233, China  
Tel: +86-21-6485 1491, Fax: +86-21-5450 0008

#### **REGIONAL SALES OFFICE**

##### **Shenzhen Office**

##### **Shanghai SIM-BCD Semiconductor Manufacturing Co., Ltd., Shenzhen Office**

Unit A Room 1203, Skyworth Bldg., Gaoxin Ave. 1.S., Nanshan District, Shenzhen, China  
Tel: +86-755-8826 7951  
Fax: +86-755-8826 7865

##### **Taiwan Office**

##### **BCD Semiconductor (Taiwan) Company Limited**

4F, 298-1, Rui Guang Road, Nei-Hu District, Taipei, Taiwan  
Tel: +886-2-2656 2808  
Fax: +886-2-2656 2806

##### **USA Office**

##### **BCD Semiconductor Corp.**

30920 Huntwood Ave. Hayward, CA 94544, USA  
Tel : +1-510-324-2988  
Fax: +1-510-324-2788

## X-ON Electronics

Largest Supplier of Electrical and Electronic Components

*Click to view similar products for* [Power Switch ICs - Power Distribution category:](#)

*Click to view products by* [Diodes Incorporated manufacturer:](#)

Other Similar products are found below :

[TCK111G,LF\(S\)](#) [FPF1018](#) [DS1222](#) [TCK2065G,LF](#) [SZNCP3712ASNT3G](#) [MIC2033-05BYMT-T5](#) [MIC2033-12AYMT-T5](#) [MIC2033-05BYM6-T5](#) [SLG5NT1437VTR](#) [SZNCP3712ASNT1G](#) [DML1008LDS-7](#) [KTS1670EDA-TR](#) [KTS1640QGDV-TR](#) [KTS1641QGDV-TR](#) [U6513A](#) [MIC2012YM-TR](#) [MP5095GJ-P](#) [TPS2021IDRQ1](#) [TPS2104DBVR](#) [TPS22958NDGKR](#) [MIC2098-1YMT-TR](#) [MIC94062YMT TR](#) [MIC2015-1.2YM6 TR](#) [MIC2075-2YM](#) [MIC94068YML-TR](#) [SIP32461DB-T2-GE1](#) [NCP335FCT2G](#) [FPF1504UCX](#) [TCK105G,LF\(S\)](#) [AP2411S-13](#) [AP2151DSG-13](#) [AP2172MPG-13](#) [MIC94094YC6-TR](#) [MIC94093YC6-TR](#) [MIC94064YC6-TR](#) [MIC94061YMT-TR](#) [MIC2505-1YM](#) [MIC94085YFT-TR](#) [MIC94042YFL-TR](#) [MIC2005-1.2YM6-TR](#) [SIP32510DT-T1-GE3](#) [NCP333FCT2G](#) [NCP331SNT1G](#) [TPS2092DR](#) [TPS2063DR](#) [MIC2008YML-TR](#) [MIC94084YFT-TR](#) [MIC2040-1YMM](#) [DIO1280WL12](#) [AP22814ASN-7](#)