

Description

The AP43781 is a highly integrated USB Type-C[®] power delivery controller targeted for monitor or TV power board with USB Type-C ports. It supports USB power delivery specification Rev3.1 SPR (Standard Power Range) with full range of programmable power supply (PPS).

The AP43781 can support PPS APDO (Augmented Power Data Object) with resolution of 20mV/step in voltage and 50mA/step in current. In addition, cable-loss compensation and e-Marker detection are provided.

After the power negotiation is established, AP43781 can support DisplayPort™ by decoding out the CC signal and then deliver the routing control and signaling information to the high-speed switches and the re-driver/re-timer ICs through I2C interface, where the I2C bus can be assigned as master or slave, and GPIO pins can be programmed for different applications.

The AP43781 can offer comprehensive safety protection schemes, including overvoltage protection (OVP), undervoltage protection (UVP), overcurrent protection (OCP), short-circuit protection (SCP) and/or overtemperature protection (OTP).

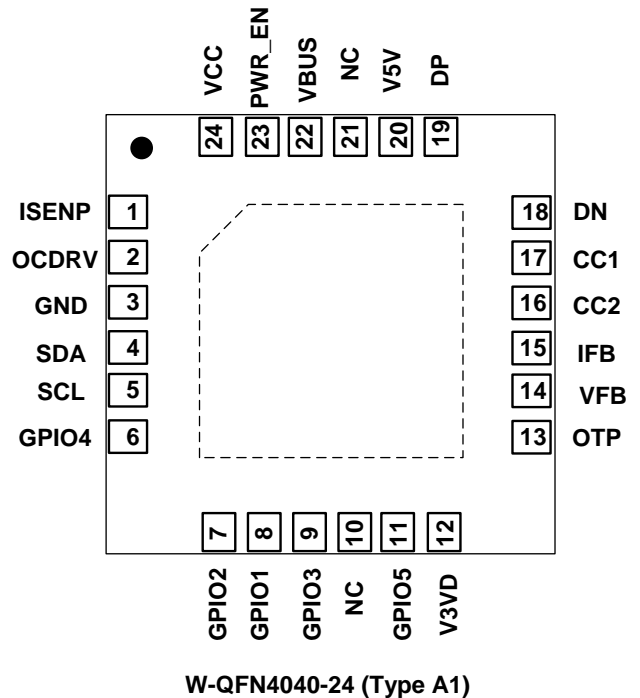
A one-time programmable ROM is provided for main firmware, and a multi-time programmable ROM is provided for user configuration data.

Features

- Compatible with USB PD Rev3.1 SPR
- Support Full Range of PPS 3.3V to 21V with Resolution of 20mV/Step in Voltage and 50mA/Step in Current.
- Support Type-C Alternative Mode for DisplayPort
- Built-in Regulator for CV and CC Control
- Support OVP/UVP/OCP/SCP/OTP with Auto Restart
- Support Power Saving Mode
- Driver for Output Enable nMOS Switch
- Support E-Marker Cable Detection
- Support I2C Interface with Master and Slave Flexibility
- Operating Voltage Range: 3.3V to 24V
- OTP (One-Time Programmable) for Main Firmware
- MTP (Multi-Time Programmable) for System Configuration
- **Totally Lead-Free & Fully RoHS Compliant (Notes 1 & 2)**
- **Halogen and Antimony Free. “Green” Device (Note 3)**
- **For automotive applications requiring specific change control (i.e. parts qualified to AEC-Q100/101/104/200, PPAP capable, and manufactured in IATF 16949 certified facilities), please [contact us](https://www.diodes.com/quality/product-definitions/) or your local Diodes representative.**
<https://www.diodes.com/quality/product-definitions/>

Notes: 1. No purposely added lead. Fully EU Directive 2002/95/EC (RoHS), 2011/65/EU (RoHS 2) & 2015/863/EU (RoHS 3) compliant.
2. See <https://www.diodes.com/quality/lead-free/> for more information about Diodes Incorporated's definitions of Halogen- and Antimony-free, "Green" and Lead-free.
3. Halogen- and Antimony-free "Green" products are defined as those which contain <900ppm bromine, <900ppm chlorine (<1500ppm total Br + Cl) and <1000ppm antimony compounds.

Pin Assignments



Applications

- Monitors with Type-C ports
- TV power boards with Type-C ports

Typical Applications Circuit

The AP43781 not only supports USB PD power profile negotiation with the sink controller, but also provides the data link capability to the sink device. Figure 1 illustrates how the AP43781 of the CLM (Type-C-Link-to-Monitor) module is used to play as a PD power source controller with support for DisplayPort application.

When the Type-C attachment is completed between an active CLM module and the NB host, the power profile negotiation is started through the CC commands. After the negotiation is completed, the AP43781 will enable the buck-boost controller to provide the matched power to the NB host.

At the same time, the AP43781 plays as a data down-facing port, and enters the alternative mode support by decoding out the VDM (Vendor Defined Message) CC commands delivered from NB host side. The decoded information is then sent out through the I2C interface to the high-speed switches (i.e. PI3USB31531) and signaling chips (i.e. PI3DPX1207C), so that the data stream can be delivered from host side to the DisplayPort at the right routing path and with correct signaling accordingly.

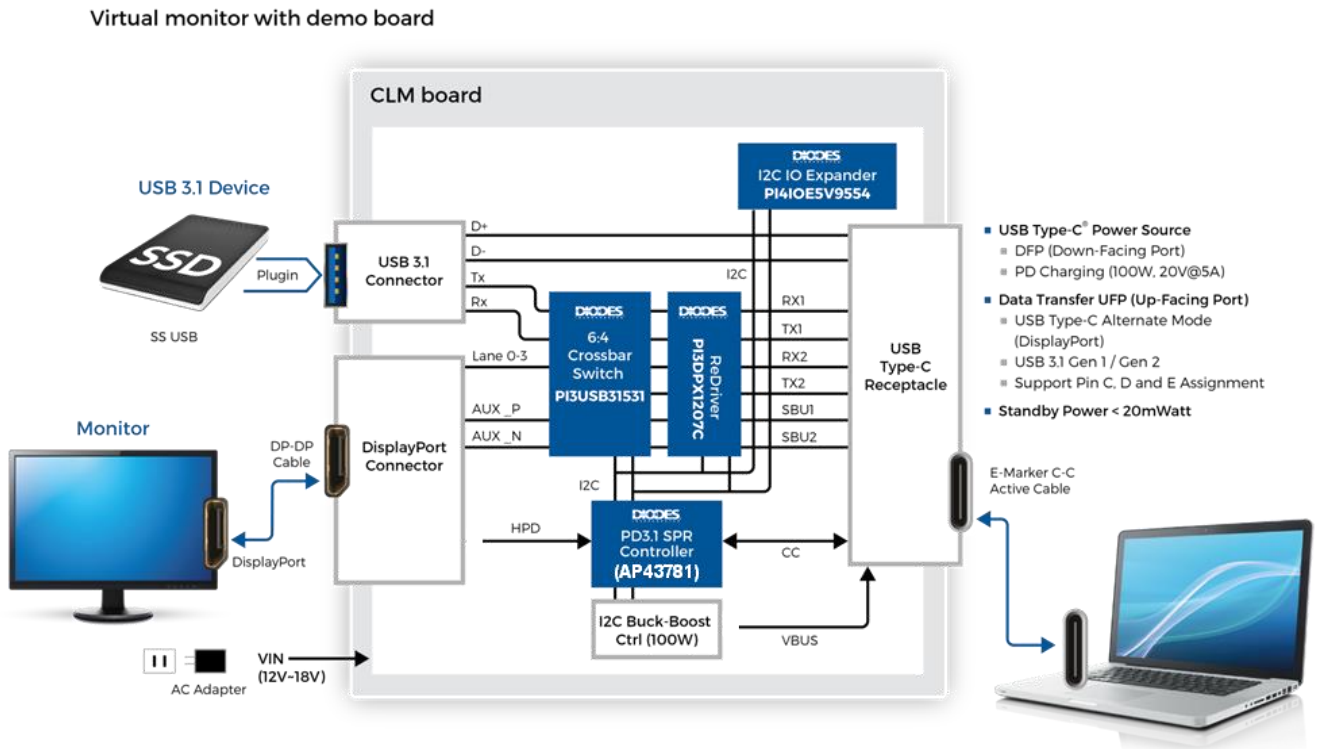


Figure 1. The AP43781 Supports DP Alternative Mode for Data Link During the Power Sourcing

Pin Descriptions

Pin Number	Pin Name	Function
1	ISENP	Input Current Sense Positive Node
2	OCDRV	CC/CV Output. Open-Drain Output for Optocoupler.
3	GND	Ground
4	SDA	GPIO/I2C Data
5	SCL	GPIO/I2C Clock
6	GPIO4	General-Purpose Input or Output
7	GPIO2	General-Purpose Input or Output
8	GPIO1	General-Purpose Input or Output
9	GPIO3	General-Purpose Input or Output
10	NC	No Connection
11	GPIO5	General-Purpose Input or Output
12	V3VD	LDO-3V Output
13	OTP	Source Current to External NTC Sensor for OTP (Overtemperature Protection). Current amplitude is programmable.
14	VFB	CV Input. Negative Node of CV OPAMP for Optocoupler.
15	IFB	CC Input. Negative Node of CC OPAMP for Optocoupler.
16	CC2	Type-C_CC2
17	CC1	Type-C_CC1
18	DN	Type-C_DN
19	DP	Type-C_DP
20	V5V	LDO-5V Output, Connected to a Decoupling Capacitor.
21	NC	No Connection
22	VBUS	Output Terminal for Discharge Path
23	PWR_EN	External nMOS Gate Driver. To control external MOS switch, 1: To enable VBUS voltage. 0: Disconnect VBUS.
24	VCC	The Power Supply of The IC, Connected to a Ceramic Capacitor.

Table 1. The AP43781 Pinout Description

Functional Block Diagram

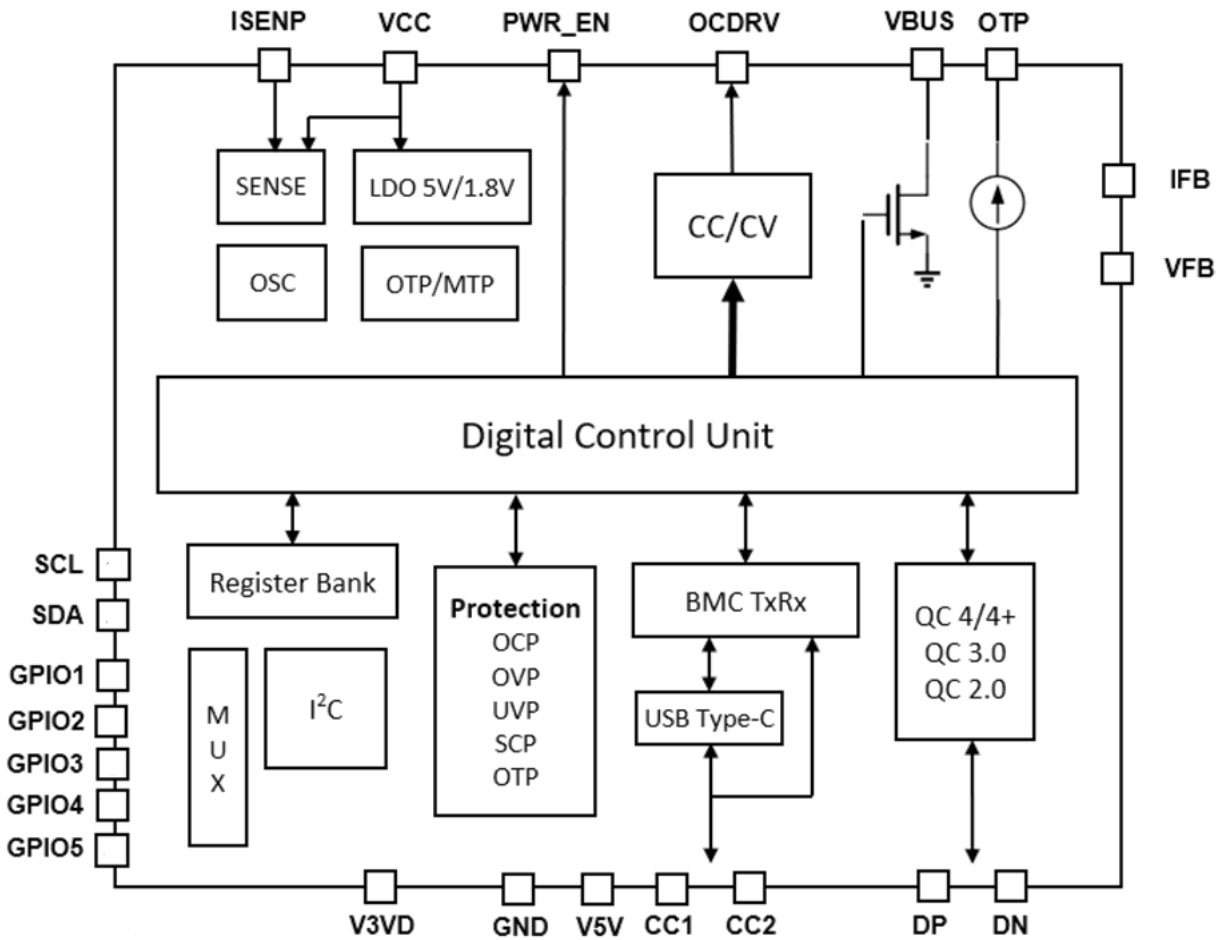


Figure 2. The AP43781 Block Diagram

Absolute Maximum Ratings (Note 4)

Symbol	Parameter	Rating		Unit
V _{VCC}	Input Voltage at VCC Pin	-0.3 to 24		V
V _{VFB} , V _{IFB} , V _{OTP}	Input Voltage at VFB, IFB, OTP Pins	-0.3 to 7		V
V _{VBUS} , V _{PWR_EN} , V _{ISENP} , V _{OCDRV}	Input Voltage at VBUS, PWR_EN, ISENP, OCDRV Pins	-0.3 to 24		V
—	Voltage from PWR_EN to VCC Pin	-16 to 7		V
V _{V5V}	Input Voltage at V5V Pin	-0.3 to 7		V
V _{CC1} , V _{CC2}	Input Voltage at CC1, CC2 Pins	-0.3 to 7		V
V _{DP} , V _{DN}	Input Voltage at DP, DN Pins	-0.3 to 7		V
V _{GPIO1-5} , V _{SDA} , V _{SCL}	Input Voltage at GPIO1-5, SDA, SCL Pins (Note 5)	-0.3 to 5		V
T _J	Operating Junction Temperature	-40 to +150		°C
T _{STG}	Storage Temperature	-65 to +150		°C
T _{LEAD}	Lead Temperature (Soldering, 10s)	+300		°C
θ _{JA}	Thermal Resistance (Junction to Ambient) (Note 6)	W-QFN4040-24 (Type A1)	28	°C/W
θ _{JC}	Thermal Resistance (Junction to Case) (Note 6)	W-QFN4040-24 (Type A1)	16	°C/W
—	ESD (Human Body Model) Voltage on DP, DN Pins	6		kV
—	ESD (Human Body Model) Voltage on VBUS, ISENP, PWR_EN, VCC, OCDRV, OTP, V5V, IFB, VFB, CC1, CC2 Pins	2		kV
—	ESD (Charged Device Model)	750		V

- Notes:
- Stresses greater than those listed under *Absolute Maximum Ratings* can cause permanent damage to the device. These are stress ratings only, and functional operation of the device at these or any other conditions beyond those indicated under *Recommended Operating Conditions* is not implied. Exposure to *Absolute Maximum Ratings* for extended periods can affect device reliability.
 - When GPIO1-5, SDA, and SCL pins are pulled high to a voltage source, it is strongly recommended to series a resistor with minimum 10k value.
 - Test condition: device mounted on FR-4 substrate PC board, 2oz copper, with the minimum footprint.

Recommended Operating Conditions

Symbol	Parameter	Min	Max	Unit
V _{VCC}	Power Supply Voltage	3.3	24	V
T _{OP}	Operating Temperature Range	-40	+85	°C

Electrical Characteristics (@T_A = +25°C, unless otherwise specified.)

Symbol	Parameter	Condition	Min	Typ	Max	Unit
VCC PIN SECTION						
V _{ST}	Startup Voltage	—	2.5	2.8	3.2	V
V _{UVLO}	Minimum Operating Voltage	—	2.4	2.7	3	V
V _{VCC_HYS}	V _{VCC} Hysteresis (V _{ST} -V _{UVLO})	—	0.05	—	—	V
I _{VCC_DEEP SLEEP}	V _{IN} Current in Deep Sleep Mode	CC1/2 Detach after 3s V _{VCC} = 5V	—	550	900	μA
I _{VCC_OPR}	Operating Supply Current	V _{VCC} = 5V	—	3.3	6	mA
VOLTAGE CONTROL LOOP SECTION						
V _{REF_CV5}	Reference Voltage for 5V CV Control	—	4.85	5	5.15	V
V _{REF_CV9}	Reference Voltage for 9V CV Control	—	8.73	9	9.27	V
V _{REF_CV12}	Reference Voltage for 12V CV Control	—	11.64	12	12.36	V
V _{CABLE}	Cable Compensation (Note 7)	—	22	32	42	mV/A
I _{OS}	Maximum OCDRV Pin Sink Current	V _{OUT} = 5V	10	16	30	mA
PROTECTION FUNCTION SECTION						
V _{OVP5V}	OVP_5V Enable Voltage (Note 8)	—	5.6	6	6.8	V
V _{OVP9V}	OVP_9V Enable Voltage (Note 8)	—	9.9	10.8	12.1	V
V _{OVP12V}	OVP_12V Enable Voltage (Note 8)	—	13.2	14.4	16.2	V
t _{DEBOUNCE_OVP}	OVP Debounce Time (Note 9)	—	—	90	—	ms
V _{UVP5V}	UVP_5V Enable Voltage	—	3.3	3.7	4.4	V
V _{UVP9V}	UVP_9V Enable Voltage	—	5.9	6.8	7.7	V
V _{UVP12V}	UVP_12V Enable Voltage	—	7.9	9.1	10	V
I _{OVD}	Overvoltage Discharge Current	V _{VCC} = 5V	150	200	250	mA
t _{OCP}	OCP Deglitch Time (Note 10)	—	—	30	—	ms
t _{RESTART_INTERVAL_SCP}	Restart Interval Time under SCP (Note 10)	—	—	0.8	—	s
T _{OTP}	Internal OTP Temperature (Note 10)	—	—	+140	—	°C
I _{OTP_EXTERNAL}	External OTP Current	—	90	100	110	μA
T _{HYS}	OTP Recovery Hysteresis Temperature (Note 10)	—	—	+25	—	°C
t _{SLEEP}	Enter Sleep Mode Time after Cable Detached (Note 10)	—	—	3	—	s
t _{OV_DELAY}	Delay from OVP Threshold Trip to nMOS Gate Turn-Off (Note 10)	—	—	—	50	μs
t _{UV_DELAY}	Delay from UVP Threshold Trip to nMOS Gate Turn-Off (Note 10)	—	—	30	—	ms
CC1/CC2, DP/DN PIN SECTION						
V _{L_RD3A}	Low Voltage Threshold Used to Distinguish R _D Attached or Detached for 3A Delivery	—	—	1.35	—	V
V _{H_RD3A}	High Voltage Threshold Used to Distinguish R _D Attached or Detached for 3A Delivery	—	—	2.0	—	V
I _{RD3A}	CC1/CC2 Current Source for 3A Advertisement	V _{VCC} = 5V	304	330	356	μA
V _{OVP_DN}	DN Line Overvoltage Protection Threshold	—	4.1	4.5	4.8	V
V _{OVP_DP}	DP Line Overvoltage Protection Threshold	—	4.1	4.5	4.8	V

- Notes:
7. Cable compensation voltage can be adjusted by setting from 0 to V_{CABLE} · N (N: 0 to 7).
 8. 120% OVP setting & 76% UVP setting.
 9. OVP blanking time during V_O transition from high output voltage to low output voltage, such as 9V to 5V, or 12V to 5V.
 10. Guaranteed by design.

Performance Characteristics

System Power-On Sequence

Once external power is supplied to the VCC pin, the AP43781 will wake up. All analog control blocks will get ready, and then the digital block and MCU engine will start initialization flow. After the power-on initialization, the system closed loop is established by the AP43781 and the power module is ready for the Type-C PD negotiation process.

Cable Attachment and Power On Initialization

Once the Type-C cable is plugged into the NB or the sink device from the powered PD source, the R_d on the sink side will pull down one of the CC1/CC2 channel to establish a CC routing path, and then the CC/VCONN configuration is completed. After the cable attachment, the source adapter enables VBUS with 5V, and starts VCONN power supply to enable cable e-Marker to check its current handling capability. After that, the PD source adapter starts broadcasting PD source capabilities to the PD sink through CC pin. Meanwhile, the NB or the sink device can decode the CC packet to get the source capability, and then starts a PD negotiation process to request the PD source to output a suitable power profile.

Voltage Transition

When the sink and source make an acceptable power request deal, the AP43781 will provide the VBUS with the requested voltage and current capability through the VFB control feedback or I2C communication to the DC/DC controller. During the voltage transition, the feedback system stability of AP43781 and DC/DC controller should be carefully designed to guarantee monotonic voltage transition and avoid violating USB PD electrical specification.

DisplayPort Alternate Mode Support

After the PDO negotiation is completed, the AP43781 plays as a data Upstream Facing Port (UFP), and enter the alternative mode support by decoding out the VDM (Vendor Defined Message) commands delivered by the host side. The AP43781 supports DisplayPort Alternate Mode on USB Type-C standard with Discover Identify, Discover SVIDs, Discover Modes, Enter Mode, DP Status, DP Configure, and Exit Mode. The decoded information is then sent out to the high-speed switches (i.e. PI3USB31531) and signaling chips (i.e. PI3DPX1207C) through the I2C interface, so that the data stream can be delivered from host side to the DisplayPort at the right routing path and correct signaling accordingly.

CV/CC

The AP43781 supports Constant Voltage (CV) and Constant Current (CC) functions to control the output voltage and the output current by the control pin OCDRV. During the CV mode, the AP43781 operates in fixed PDO, and the output voltage will be regulated to the request voltage if the output current is below the allowed maximum current. Once the sink device draws more than I_{OCP} , the overcurrent protection occurs. When the CC mode function is enabled, the output voltage drops, and the source current is limited within 150mA whenever output current exceeds the allowed maximum current. When the output voltage drops below UVP, the constant current limit turns off VBUS and starts error recovery procedure. The AP43781 will reset if the voltage continues dropping to the UVLO threshold.

Protection

The AP43781 provides OVP/UVP/OCP/SCP/OTP functions and supports Constant Current (CC) function. All of the protection thresholds depend on the requested power profile, and provide the most reliable protection scheme.

The AP43781 provides OVP feature by turning off the power switch when VBUS is higher than OVP enable voltage. Meanwhile, it provides an internal discharge path to reduce the overvoltage duration, and terminates discharge current as soon as VBUS reaches the target voltage. To prevent the VBUS pin from working abnormally, the AP43781 provides UVP function whenever VBUS drops to UVP enable voltage.

To ensure the safe operation of USB PD, the AP43781 provides programmable OCP function to make sure output current will not be higher than the allowed maximum current. Once OCP conditions happen, the AP43781 will shut down the USB PD system and send "Hard Reset" to the host side.

MCU and OTP/MTP ROM

The AP43781 has an MCU subsystem, which integrates an 8-bit 8051 processor, SRAM, and OTP ROM. The MCU subsystem is optimized for user configurability of different topologies, supporting different protocols, and low-power consumption at a low cost. With the embedded hardware PHY transceivers offloading MCU processing, the AP43781 can handle PD handshakes efficiently, and be compliant with critical USB Power Delivery specifications.

An OTP ROM is provided to store PD, QC, and FCP protocol firmware, and an MTP ROM is provided for user configuration table. Either in-system programming or offline socket programming are provided for the OTP ROM and MTP ROM.

Performance Characteristics (continued)

I2C Interface

The I2C interface pins (SCK, SDA), as shown in below Table 2, are used to communicate between the PD decoder and DC/DC controller/converter to replace analog signal feedback of VFB with much higher noise immunity. I2C commands are supported by firmware so that it can monitors and changes status of other I2C devices

Pin No.	Pin Name	Pin Function
4	SDA	I2C Data
5	SCL	I2C Clock

Table 2. I2C Interface of the AP43781 Supports Both Master and Slave Modes

The AP43781 can play as an I2C master or slave device. The I2C read and write operations are supported as below.

All transactions begin with a START (S) and be terminated by a STOP (P). A START condition is defined whenever a HIGH to LOW transition on the SDA while SCL is HIGH. A STOP condition is defined whenever a LOW to HIGH transition on the SDA while SCL is HIGH. The START and STOP conditions are always generated by the master.

I2C Format for Write Data



I2C Format for Read Data

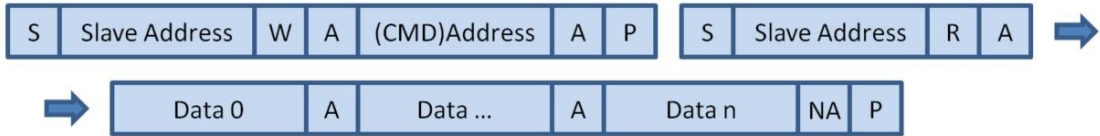
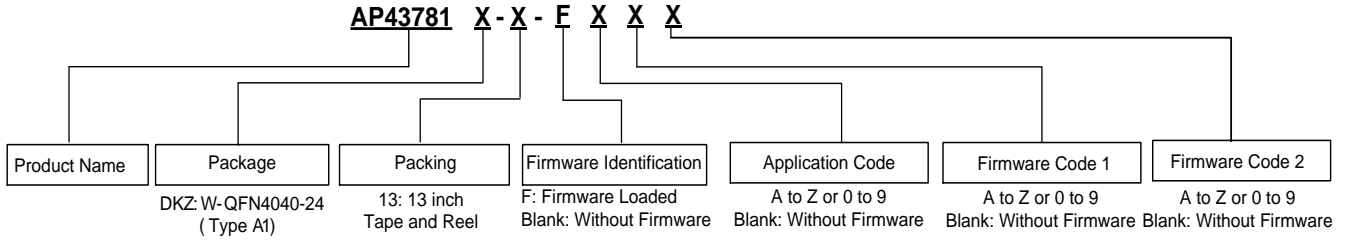


Figure 3. The I2C Command Format in AP43781

Ordering Information

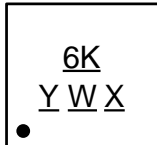


Part Number	Package	Identification Code	Packing	
			Qty.	Carrier
AP43781DKZ-13-FXXX	W-QFN4040-24 (Type A1)	6K	3000	13" Tape and Reel

Marking Information

W-QFN4040-24 (Type A1)

(Top View)

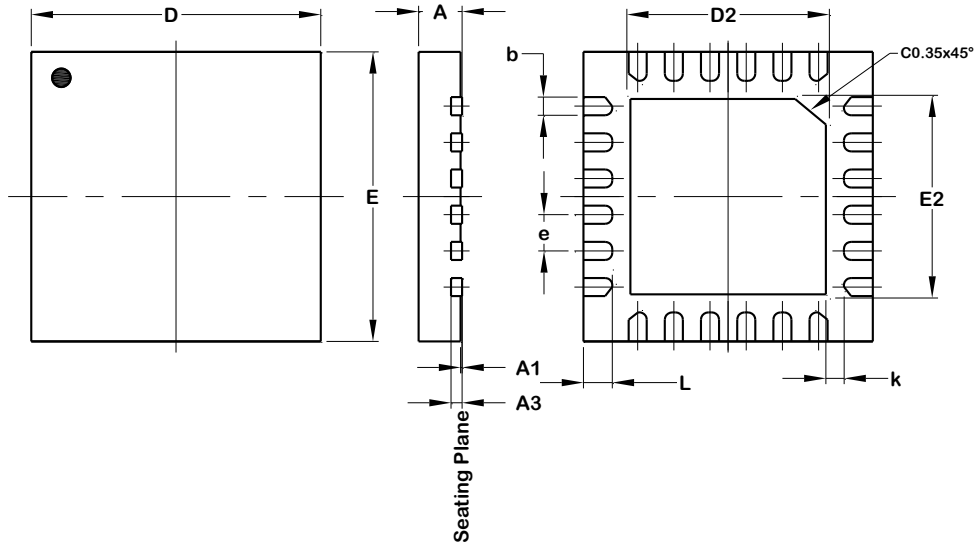


- 6K : Identification Code
- Y : Year : 0 to 9 (ex: 3 = 2023)
- W : Week : A to Z : week 1 to 26;
a to z : week 27 to 52; z represents week 52 and 53
- X : Internal Code

Package Outline Dimensions

Please see <http://www.diodes.com/package-outlines.html> for the latest version.

W-QFN4040-24 (Type A1)

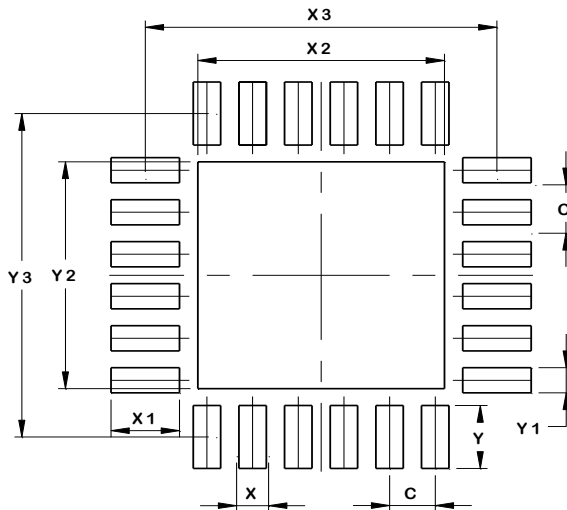


W-QFN4040-24 (Type A1)			
Dim	Min	Max	Typ
A	0.70	0.80	0.75
A1	0.00	0.05	0.02
A3	0.203 REF		
b	0.18	0.30	0.25
D	4.00 BSC		
D2	2.65	2.75	2.70
E	4.00 BSC		
E2	2.65	2.75	2.70
e	0.50 BSC		
k	0.20	--	--
L	0.35	0.45	0.40
All Dimensions in mm			

Suggested Pad Layout

Please see <http://www.diodes.com/package-outlines.html> for the latest version.

W-QFN4040-24 (Type A1)



Dimensions	Value (in mm)
C	0.500
X	0.300
X1	0.750
X2	2.700
X3	3.850
Y	0.750
Y1	0.300
Y2	2.700
Y3	3.850

Mechanical Data

- Moisture Sensitivity: Level 1 per J-STD-020
- Terminals: Finish – Matte Tin Plated Leads, Solderable per J-STD-202 ③
- Weight: 0.041 grams (Approximate)

IMPORTANT NOTICE

1. DIODES INCORPORATED (Diodes) AND ITS SUBSIDIARIES MAKE NO WARRANTY OF ANY KIND, EXPRESS OR IMPLIED, WITH REGARDS TO ANY INFORMATION CONTAINED IN THIS DOCUMENT, INCLUDING, BUT NOT LIMITED TO, THE IMPLIED WARRANTIES OF MERCHANTABILITY, FITNESS FOR A PARTICULAR PURPOSE OR NON-INFRINGEMENT OF THIRD PARTY INTELLECTUAL PROPERTY RIGHTS (AND THEIR EQUIVALENTS UNDER THE LAWS OF ANY JURISDICTION).
2. The Information contained herein is for informational purpose only and is provided only to illustrate the operation of Diodes' products described herein and application examples. Diodes does not assume any liability arising out of the application or use of this document or any product described herein. This document is intended for skilled and technically trained engineering customers and users who design with Diodes' products. Diodes' products may be used to facilitate safety-related applications; however, in all instances customers and users are responsible for (a) selecting the appropriate Diodes products for their applications, (b) evaluating the suitability of Diodes' products for their intended applications, (c) ensuring their applications, which incorporate Diodes' products, comply the applicable legal and regulatory requirements as well as safety and functional-safety related standards, and (d) ensuring they design with appropriate safeguards (including testing, validation, quality control techniques, redundancy, malfunction prevention, and appropriate treatment for aging degradation) to minimize the risks associated with their applications.
3. Diodes assumes no liability for any application-related information, support, assistance or feedback that may be provided by Diodes from time to time. Any customer or user of this document or products described herein will assume all risks and liabilities associated with such use, and will hold Diodes and all companies whose products are represented herein or on Diodes' websites, harmless against all damages and liabilities.
4. Products described herein may be covered by one or more United States, international or foreign patents and pending patent applications. Product names and markings noted herein may also be covered by one or more United States, international or foreign trademarks and trademark applications. Diodes does not convey any license under any of its intellectual property rights or the rights of any third parties (including third parties whose products and services may be described in this document or on Diodes' website) under this document.
5. Diodes' products are provided subject to Diodes' Standard Terms and Conditions of Sale (<https://www.diodes.com/about/company/terms-and-conditions/terms-and-conditions-of-sales/>) or other applicable terms. This document does not alter or expand the applicable warranties provided by Diodes. Diodes does not warrant or accept any liability whatsoever in respect of any products purchased through unauthorized sales channel.
6. Diodes' products and technology may not be used for or incorporated into any products or systems whose manufacture, use or sale is prohibited under any applicable laws and regulations. Should customers or users use Diodes' products in contravention of any applicable laws or regulations, or for any unintended or unauthorized application, customers and users will (a) be solely responsible for any damages, losses or penalties arising in connection therewith or as a result thereof, and (b) indemnify and hold Diodes and its representatives and agents harmless against any and all claims, damages, expenses, and attorney fees arising out of, directly or indirectly, any claim relating to any noncompliance with the applicable laws and regulations, as well as any unintended or unauthorized application.
7. While efforts have been made to ensure the information contained in this document is accurate, complete and current, it may contain technical inaccuracies, omissions and typographical errors. Diodes does not warrant that information contained in this document is error-free and Diodes is under no obligation to update or otherwise correct this information. Notwithstanding the foregoing, Diodes reserves the right to make modifications, enhancements, improvements, corrections or other changes without further notice to this document and any product described herein. This document is written in English but may be translated into multiple languages for reference. Only the English version of this document is the final and determinative format released by Diodes.
8. Any unauthorized copying, modification, distribution, transmission, display or other use of this document (or any portion hereof) is prohibited. Diodes assumes no responsibility for any losses incurred by the customers or users or any third parties arising from any such unauthorized use.
9. This Notice may be periodically updated with the most recent version available at <https://www.diodes.com/about/company/terms-and-conditions/important-notice>

The Diodes logo is a registered trademark of Diodes Incorporated in the United States and other countries.
All other trademarks are the property of their respective owners.
© 2023 Diodes Incorporated. All Rights Reserved.

www.diodes.com

X-ON Electronics

Largest Supplier of Electrical and Electronic Components

Click to view similar products for [Power Management Specialised - PMIC category:](#)

Click to view products by [Diodes Incorporated manufacturer:](#)

Other Similar products are found below :

[FAN7710VN](#) [LA5657H-N-TLM-E](#) [LM10692RMYR](#) [SLG7NT4081VTR](#) [SLG7NT4192VTR](#) [AS3729B-BWLM](#) [MB39C831QN-G-EFE2](#)
[RT9026GQW](#) [LV56841PVD-XH](#) [L9781TR](#) [P91E0-I5NHGI](#) [S6AE102A0DGN1B200](#) [L9916](#) [AP4306BUKTR-G1](#) [SLG7NT4198V](#)
[NCP392CSFCCT1G](#) [LPTM21L-1ABG100I](#) [ISL99390FRZ-TR5935](#) [ISL69234IRAZ-T](#) [ISL69259IRAZ](#) [ISL69228IRAZ](#) [ISL69269IRAZ](#)
[AXP813](#) [FAN53870UC00X](#) [FDMF5085](#) [HPM10-W29A100G](#) [NCV97311MW50R2G](#) [WL2868C-20/TR](#) [TLE9263-3BQX](#) [TLE9263QX](#)
[TEA2095T/1J](#) [TEA2017AAT/2Y](#) [TPS650940A0RSKR](#) [TPS65177ARHAR](#) [LTC4417IUF#TRPBF](#) [AXP313A](#) [SQ24806AQSC](#) [RK805-2](#)
[RK809-2](#) [MFS2633AMBA0AD](#) [MFS2613AMDA3AD](#) [AD5522JSVUZ-RL](#) [LTC4352CMS#TRPBF](#) [LTC4359HDCB#TRPBF](#)
[LT4321IUF#TRPBF](#) [TC1017-2.5VLTTR](#) [MFS5600AMMA8ES](#) [TEA1716T/2](#) [MC33FS8510D3ESR2](#) [MMPF0100NPAZESR2](#)