

**DESCRIPTION**

The AP63205 is a 2A, synchronous buck converter with a wide input voltage range of 3.8V to 32V and fully integrates a 125mΩ high-side power MOSFET and a 68mΩ low-side power MOSFET to provide high-efficiency step-down DC/DC conversion.

The AP63205 device is easily used by minimizing the external component count due to its adoption of peak current mode control along with its integrated compensation network.

The AP63205 is fixed output buck converters with Electromagnetic Interference (EMI) reduction. The converter features Frequency Spread Spectrum (FSS)

with a switching frequency jitter of  $\pm 6\%$ , which reduces EMI by not allowing emitted energy to stay in any one frequency for a significant period of time. It also has a proprietary gate driver scheme to resist switching node ringing without sacrificing MOSFET turn-on and turn-off times, which further reduces high-frequency radiated EMI noise caused by MOSFET switching.

The device is available in a low-profile, TSOT26 package.

**FEATURES**

- VIN 3.8V to 32V
- 2A Continuous Output Current
- 0.8V  $\pm$  1% Reference Voltage
- 22 $\mu$ A Ultralow Quiescent Current (Pulse Frequency Modulation)
- 1.1MHz Switching Frequency
- Supports Pulse Frequency Modulation (PFM) and Pulse Width Modulation (PWM)
- Proprietary Gate Driver Design for Best EMI Reduction
- Frequency Spread Spectrum (FSS) to Reduce EMI
- Low-Dropout (LDO) Mode
- Precision Enable Threshold to adjust UVLO
- Protection Circuitry
  - Undervoltage Lockout (UVLO)
  - Cycle-by-Cycle Peak Current Limit
  - Thermal Shutdown

### APPLICATIONS

- 12V and 24V Distributed Power Bus Supplies
- Flat Screen TV Sets and Monitors
- Power Tools and Laser Printers
- White Goods and Small Home Appliances
- FPGA, DSP, and ASIC Supplies
- Home Audio
- Network Systems
- Set Top Boxes
- Gaming Consoles
- Consumer Electronics

### FUNCTIONAL BLOCK

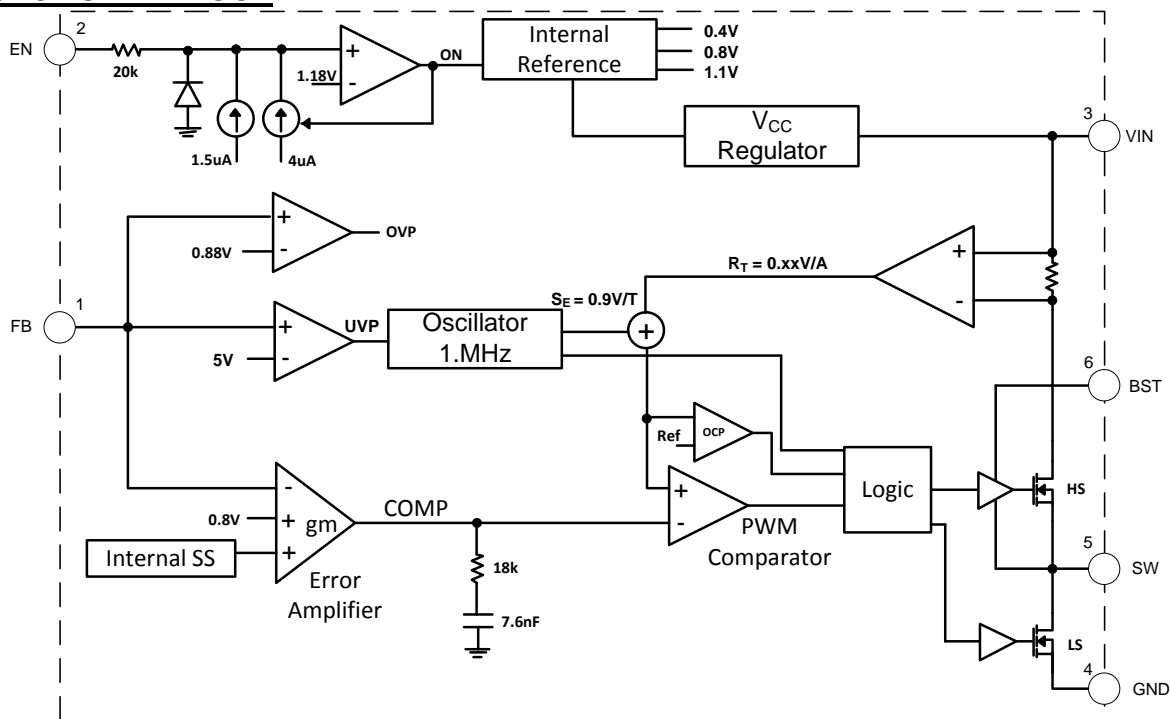


Figure 1. Functional Block Diagram

### ABSOLUTE MAXIMUM RATINGS

Symbol	Parameter	Rating	Unit
VIN	Supply Voltage	-0.3 to +35.0 (DC)	V
		-0.3 to +40.0 (400ms)	
V <sub>SW</sub>	Switch Node Voltage	-1.0 to VIN + 0.3 (DC)	V

		-2.5 to VIN + 2.0 (20ns)	
V <sub>BST</sub>	Bootstrap Voltage	V <sub>SW</sub> - 0.3 to V <sub>SW</sub> + 6.0	V
V <sub>FB</sub>	Feedback Voltage	-0.3 to +6.0	V
V <sub>EN</sub>	Enable/UVLO Voltage	-0.3 to +35.0	V
T <sub>ST</sub>	Storage Temperature	-65 to +150	°C
T <sub>J</sub>	Junction Temperature	+150	°C
T <sub>L</sub>	Lead Temperature	+260	°C
<b>ESD Susceptibility</b>			
HBM	Human Body Mode	2000	V
CDM	Charge Device Model	1000	V

### RECOMMENDED OPERATING CONDITIONS

Symbol	Parameter	Min	Max	Unit
V <sub>IN</sub>	Supply Voltage	3.8	32	V
T <sub>A</sub>	Operating Ambient Temperature Range	-40	+85	°C
T <sub>J</sub>	Operating Junction Temperature Range	-40	+125	°C

### EVALUATION BOARD

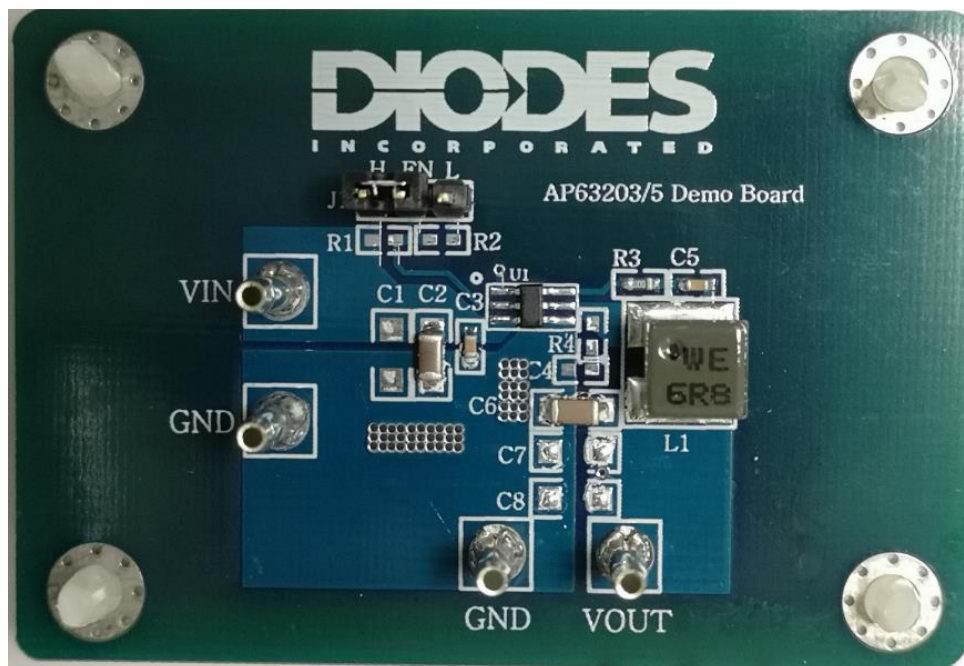


Figure 2. AP63205WU-EVM

**QUICK START GUIDE**

The AP63205WU-EVM has a simple layout and allows access to the appropriate signals through test points. To evaluate the performance of the AP63205WU, follow the procedure below:

1. For evaluation board configured at  $V_{OUT}=5.0V$ , connect a power supply to the input terminals  $V_{IN}$  and GND. Set  $V_{IN}$  to 12V.
2. Connect the positive terminal of the electronic load to  $V_{OUT}$  and negative terminal to GND.
3. For Enable, place a jumper to “H” position to enable IC. Jump to “L” position to disable IC.
4. The evaluation board should now power up with a 5.0V output voltage.
5. Check for the proper output voltage of 5.0V ( $\pm 1\%$ ) at the output terminals  $V_{OUT}$  and GND. Measurement can also be done with a multimeter with the positive and negative leads between  $V_{OUT}$  and GND.
6. Set the load to 2A through the electronic load. Check for the stable operation of the SW signal on the oscilloscope. Measure the switching frequency.

**MEASUREMENT/PERFORMANCE GUIDELINES:**

- 1) When measuring the output voltage ripple, maintain the shortest possible ground lengths on the oscilloscope probe. Long ground leads can erroneously inject high frequency noise into the measured ripple.
- 2) For efficiency measurements, connect an ammeter in series with the input supply to measure the input current. Connect an electronic load to the output for output current.

**SETTING OUTPUT VOLTAGE:**

Setting the output voltage

The AP63205 is fixed output buck converters; the output voltage is 5V. connect VFB pin to output directly as schematic shown,

### EVALUATION BOARD SCHEMATIC

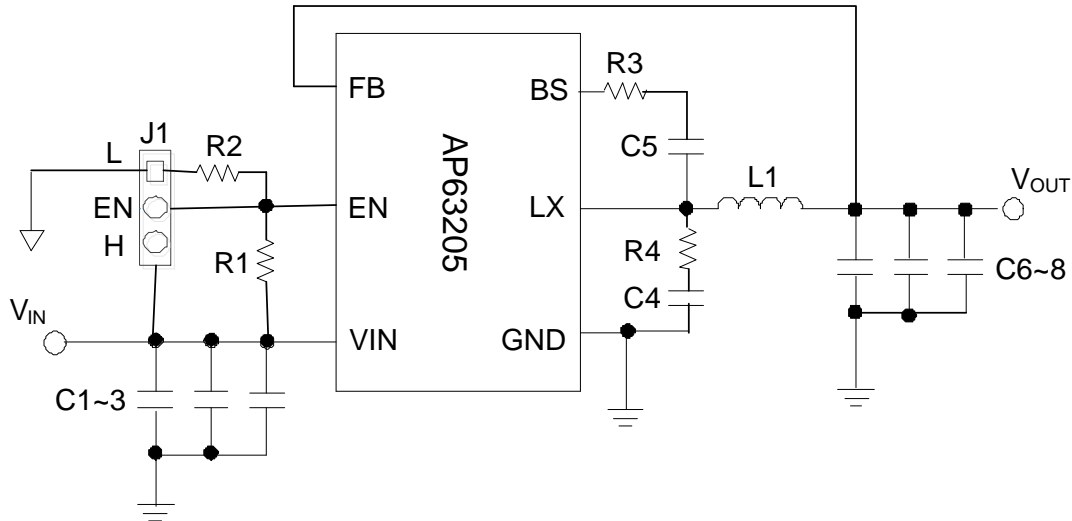


Figure 3. AP63205WU-EVM Schematic

### BILL OF MATERIALS for AP63205WU-EVM ( $V_{OUT}=5.0V$ )

Item	Value	Type	Rating	Description	Description
C2	10uF	X5R/X7R, Ceramic/1206	35V	Input CAP	
C3	0.1uF	X5R/X7R, Ceramic/0603	50V	Input CAP	Würth PART 885 012 206 095
C4	100pF	0603	100V	Feedback CAP	Würth PART 885 012 206 102
C5	0.1uF	X5R/X7R, Ceramic/0603	50V	Bootstrap CAP	Würth PART 885 012 206 095
C6 & C7	22uF	X5R/X7R, Ceramic/1206	25V	Output CAP	
L1	6.8uH	6060	5.0A	Inductor	Würth PART 744 393 460 68
R3	0	0603	1%	Bootstrap RES	
U1		AP63205WU		TSOT26	Diodes Inc

**TYPICAL PERFORMANCE CHARACTERISTICS**

Figure 4. Efficiency for VIN=12V, VOUT= 5.0V

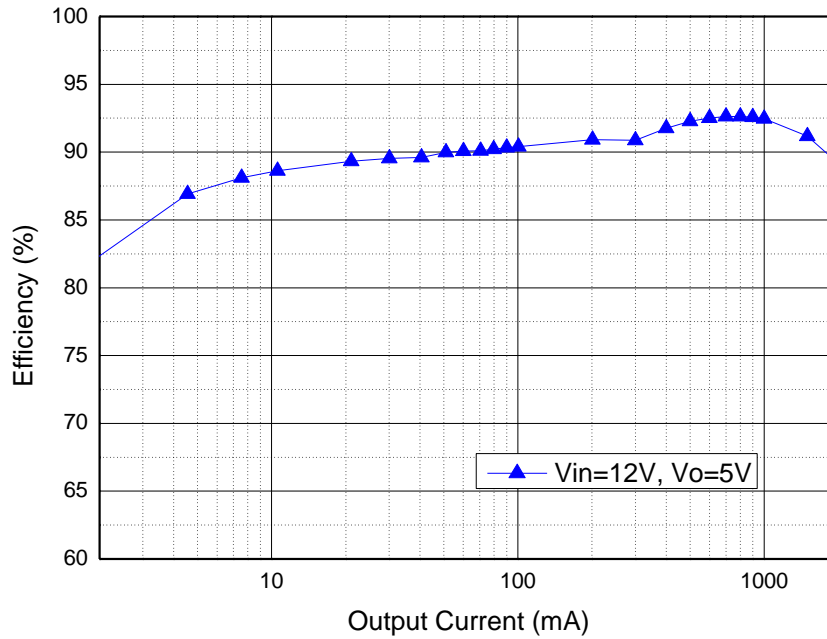
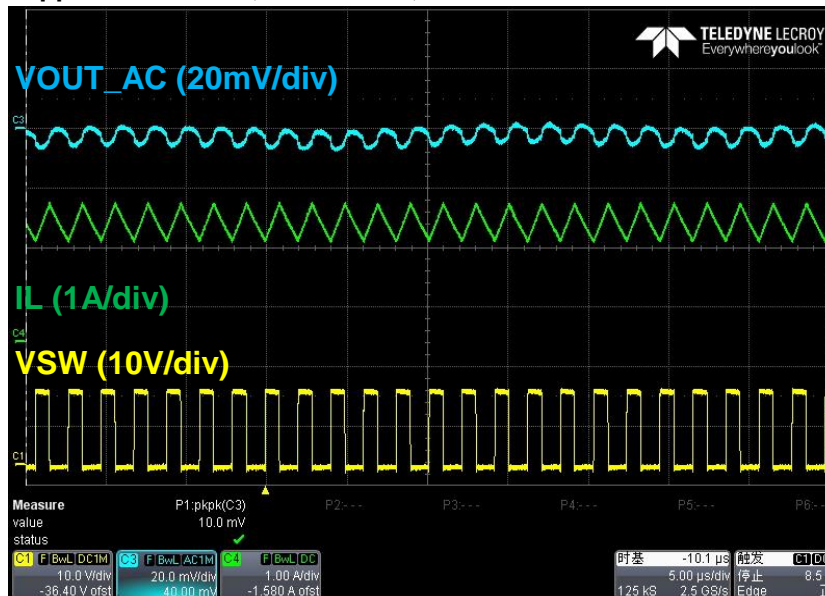


Figure 5. Output Ripple for VIN=12V, VOUT=5.0V, IOUT=2A



5µS/div

### IMPORTANT NOTICE

DIODES INCORPORATED MAKES NO WARRANTY OF ANY KIND, EXPRESS OR IMPLIED, WITH REGARDS TO THIS DOCUMENT, INCLUDING, BUT NOT LIMITED TO, THE IMPLIED WARRANTIES OF MERCHANTABILITY AND FITNESS FOR A PARTICULAR PURPOSE (AND THEIR EQUIVALENTS UNDER THE LAWS OF ANY JURISDICTION).

Diodes Incorporated and its subsidiaries reserve the right to make modifications, enhancements, improvements, corrections or other changes without further notice to this document and any product described herein. Diodes Incorporated does not assume any liability arising out of the application or use of this document or any product described herein; neither does Diodes Incorporated convey any license under its patent or trademark rights, nor the rights of others. Any Customer or user of this document or products described herein in such applications shall assume all risks of such use and will agree to hold Diodes Incorporated and all the companies whose products are represented on Diodes Incorporated website, harmless against all damages.

Diodes Incorporated does not warrant or accept any liability whatsoever in respect of any products purchased through unauthorized sales channel.

Should Customers purchase or use Diodes Incorporated products for any unintended or unauthorized application, Customers shall indemnify and hold Diodes Incorporated and its representatives harmless against all claims, damages, expenses, and attorney fees arising out of, directly or indirectly, any claim of personal injury or death associated with such unintended or unauthorized application.

Products described herein may be covered by one or more United States, international or foreign patents pending. Product names and markings noted herein may also be covered by one or more United States, international or foreign trademarks.

This document is written in English but may be translated into multiple languages for reference. Only the English version of this document is the final and determinative format released by Diodes Incorporated.

### LIFE SUPPORT

Diodes Incorporated products are specifically not authorized for use as critical components in life support devices or systems without the express written approval of the Chief Executive Officer of Diodes Incorporated. As used herein:

A. Life support devices or systems are devices or systems which:

1. are intended to implant into the body, or
2. support or sustain life and whose failure to perform when properly used in accordance with instructions for use provided in the labeling can be reasonably expected to result in significant injury to the user.

B. A critical component is any component in a life support device or system whose failure to perform can be reasonably expected to cause the failure of the life support device or to affect its safety or effectiveness.

Customers represent that they have all necessary expertise in the safety and regulatory ramifications of their life support devices or systems, and acknowledge and agree that they are solely responsible for all legal, regulatory and safety-related requirements concerning their products and any use of Diodes Incorporated products in such safety-critical, life support devices or systems, notwithstanding any devices- or systems-related information or support that may be provided by Diodes Incorporated. Further, Customers must fully indemnify Diodes Incorporated and its representatives against any damages arising out of the use of Diodes Incorporated products in such safety-critical, life support devices or systems.

Copyright © 2019, Diodes Incorporated

[www.diodes.com](http://www.diodes.com)

## X-ON Electronics

Largest Supplier of Electrical and Electronic Components

*Click to view similar products for* [Power Management IC Development Tools](#) *category:*

*Click to view products by* [Diodes Incorporated](#) *manufacturer:*

Other Similar products are found below :

[EVB-EP5348UI](#) [MIC23451-AAAYFL EV](#) [MIC5281YMME EV](#) [124352-HMC860LP3E](#) [DA9063-EVAL](#) [ADP122-3.3-EVALZ](#) [ADP130-0.8-EVALZ](#) [ADP130-1.8-EVALZ](#) [ADP1740-1.5-EVALZ](#) [ADP1870-0.3-EVALZ](#) [ADP1874-0.3-EVALZ](#) [ADP199CB-EVALZ](#) [ADP2102-1.25-EVALZ](#) [ADP2102-1.875EVALZ](#) [ADP2102-1.8-EVALZ](#) [ADP2102-2-EVALZ](#) [ADP2102-3-EVALZ](#) [ADP2102-4-EVALZ](#) [AS3606-DB](#) [BQ25010EVM](#) [BQ3055EVM](#) [ISLUSBI2CKIT1Z](#) [LM2734YEVAL](#) [LP38512TS-1.8EV](#) [EVAL-ADM1186-1MBZ](#) [EVAL-ADM1186-2MBZ](#) [ADP122UJZ-REDYKIT](#) [ADP166Z-REDYKIT](#) [ADP170-1.8-EVALZ](#) [ADP171-EVALZ](#) [ADP1853-EVALZ](#) [ADP1873-0.3-EVALZ](#) [ADP198CP-EVALZ](#) [ADP2102-1.0-EVALZ](#) [ADP2102-1-EVALZ](#) [ADP2107-1.8-EVALZ](#) [ADP5020CP-EVALZ](#) [CC-ACC-DBMX-51](#) [ATPL230A-EK](#) [MIC23250-S4YMT EV](#) [MIC26603YJL EV](#) [MIC33050-SYHL EV](#) [TPS60100EVM-131](#) [TPS65010EVM-230](#) [TPS71933-28EVM-213](#) [TPS72728YFFEVM-407](#) [TPS79318YEQEV](#) [ISL85033EVAL2Z](#) [UCC28810EVM-002](#) [XILINXPWR-083](#)