

Description

The AS324/324A consist of four independent, high gain and internally frequency compensated operational amplifiers. They are specifically designed to operate from a single power supply. Operation from split power supplies is also possible and the low power supply current drain is independent of the magnitude of the power supply voltage. Typical applications include transducer amplifiers, DC gain blocks and most conventional operational amplifier circuits.

The AS324/324A series are compatible with industry standard 324. The AS324A has more stringent input offset voltage than AS324.

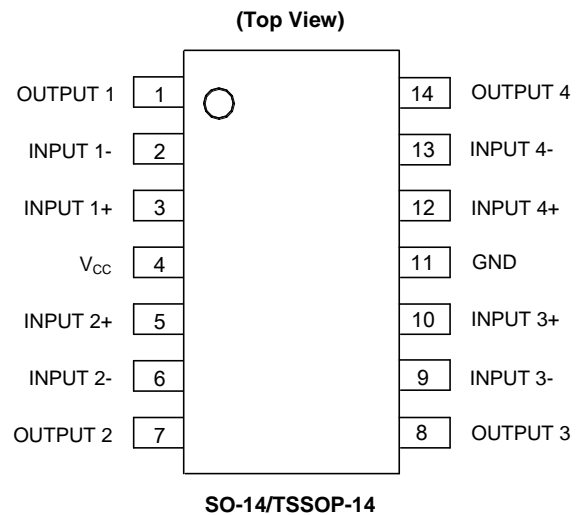
The AS324 is available in SO-14 and TSSOP-14 packages, and the AS324A is available in SO-14 package.

Features

- Internally Frequency Compensated for Unity Gain
- Large Voltage Gain: 100dB (Typical)
- Low Input Bias Current: 20nA (Typical)
- Low Input Offset Voltage: 2mV (Typical)
- Low Supply Current: 0.5mA (Typical)
- Wide Power Supply Voltage Range:
 - Single Supply: 3V to 36V
 - Dual Supplies: $\pm 1.5V$ to $\pm 18V$
- Input Common Mode Voltage Range Includes Ground
- Large Output Voltage Swing: 0V to $V_{CC} - 1.5V$
- Power Drain Suitable for Battery Operation
- Lead-Free Packages: SO-14, TSSOP-14
 - **Totally Lead-Free; RoHS Compliant (Notes 1 & 2)**
- Lead-Free Packages, Available in "Green" Molding Compound: SO-14, TSSOP-14
 - **Totally Lead-Free & Fully RoHS Compliant (Notes 1 & 2)**
 - **Halogen and Antimony Free. "Green" Device (Note 3)**

- Notes:
1. No purposely added lead. Fully EU Directive 2002/95/EC (RoHS), 2011/65/EU (RoHS 2) & 2015/863/EU (RoHS 3) compliant.
 2. See <https://www.diodes.com/quality/lead-free/> for more information about Diodes Incorporated's definitions of Halogen- and Antimony-free, "Green" and Lead-free.
 3. Halogen- and Antimony-free "Green" products are defined as those which contain <900ppm bromine, <900ppm chlorine (<1500ppm total Br + Cl) and <1000ppm antimony compounds.

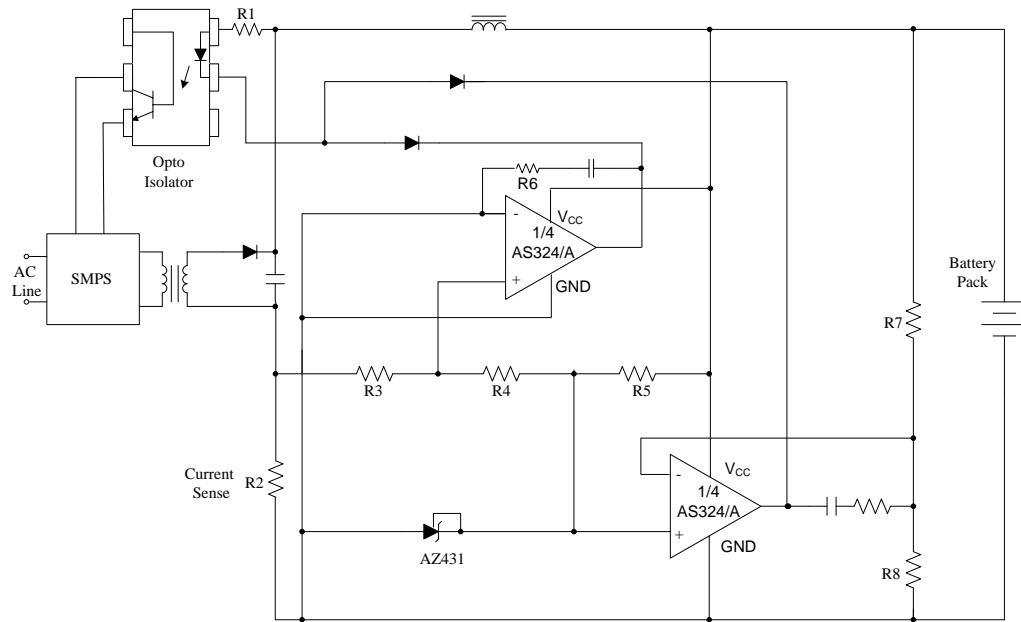
Pin Assignments



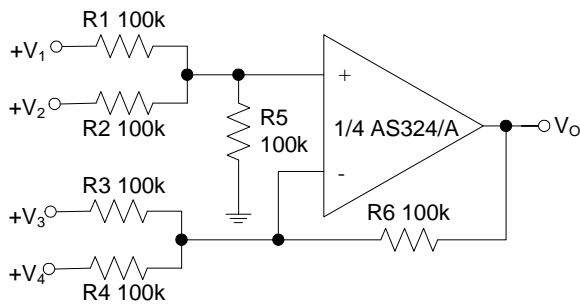
Applications

- Battery Charger
- Cordless Telephone
- Switching Power Supply

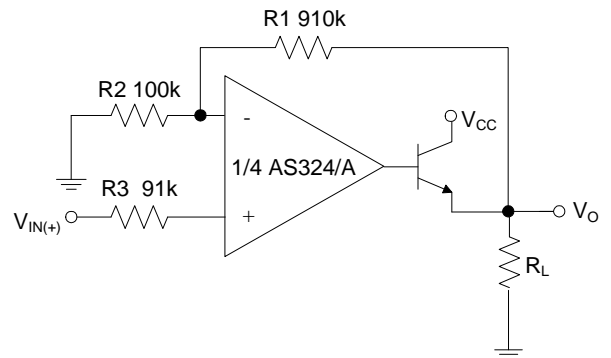
Typical Applications Circuit



Battery Charger

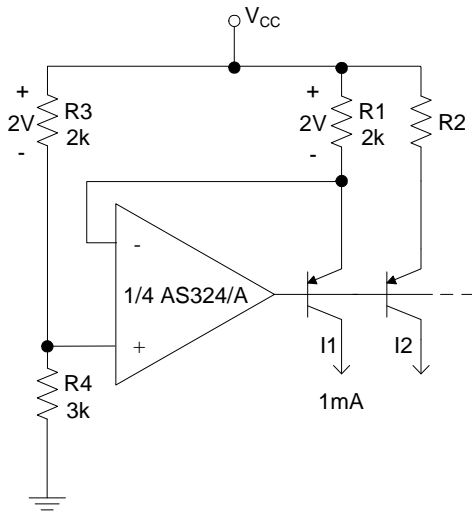


DC Summing Amplifier

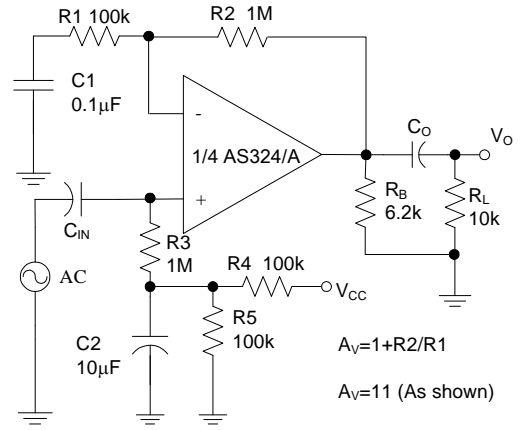


Power Amplifier

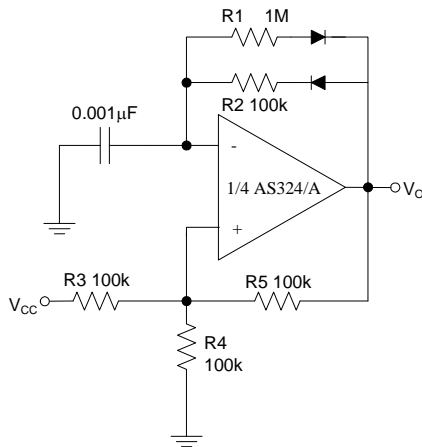
Typical Applications Circuit (continued)



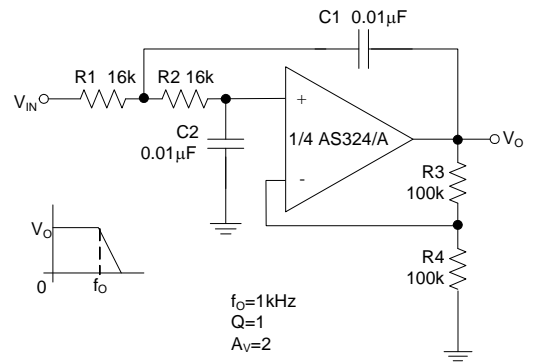
Fixed Current Sources



AC Coupled Non-Inverting Amplifier

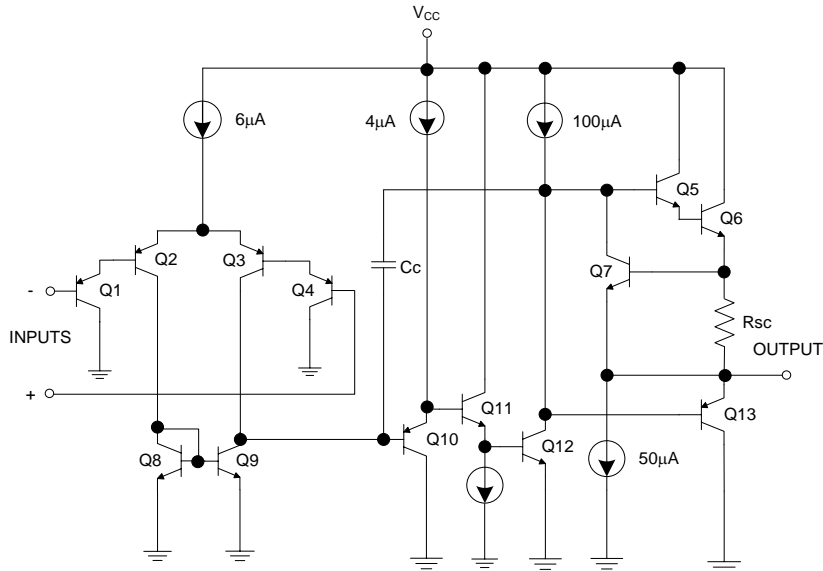


Pulse Generator



DC Coupled Low-Pass RC Active Filter

Functional Block Diagram



Absolute Maximum Ratings (Note 4)

Symbol	Parameter	Rating	Unit
V _{CC}	Supply Voltage	40	V
V _{ID}	Differential Input Voltage	40	V
V _{IN}	Input Voltage	-0.3 to 40	V
P _D	Total Power Dissipation (T _A = +25°C)	SO-14	800
		TSSOP-14	710
T _J	Operating Junction Temperature	+150	°C
T _{STG}	Storage Temperature Range	-65 to +150	°C
T _{LEAD}	Lead Temperature (Soldering, 10 Seconds)	+260	°C

Note 4: Stresses greater than those listed under "Absolute Maximum Ratings" may cause permanent damage to the device. These are stress ratings only, and functional operation of the device at these or any other conditions beyond those indicated under "Recommended Operating Conditions" is not implied. Exposure to "Absolute Maximum Ratings" for extended periods may affect device reliability.

Recommended Operating Conditions

Symbol	Parameter	Min	Max	Unit
V _{CC}	Supply Voltage	3	36	V
T _A	Ambient Operating Temperature Range	-40	+85	°C

Electrical Characteristics (Limits in standard typeface are for $T_A = +25^\circ\text{C}$, **bold** typeface applies over $T_A = -40^\circ\text{C}$ to $+85^\circ\text{C}$ (Note 5), $V_{CC} = 5\text{V}$, $\text{GND} = 0\text{V}$, unless otherwise specified.)

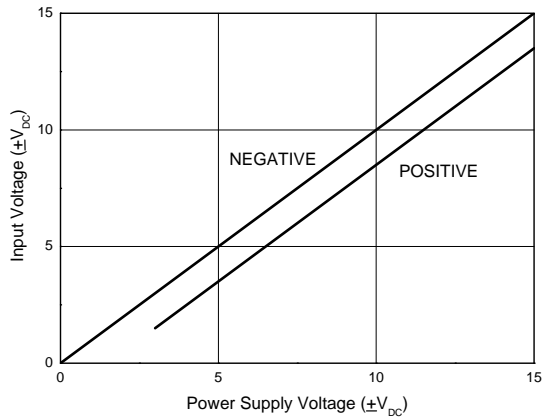
Symbol	Parameter		Conditions	Min	Typ	Max	Unit			
V_{IO}	Input Offset Voltage		$V_O = 1.4\text{V}$, $R_S = 0\Omega$, $V_{CC} = 5\text{V}$ to 30V	AS324	—	2	5	mV		
					—	—	7			
				AS324A	—	2	3	mV		
					—	—	5			
$\Delta V_{IO}/\Delta T$	Average Temperature Coefficient of Input Offset Voltage		$T_A = -40$ to $+85^\circ\text{C}$	—	7	—	$\mu\text{V}/^\circ\text{C}$			
I_{IO}	Input Offset Current		$I_{IN+} - I_{IN-}$, $V_{CM} = 0\text{V}$	—	5	30	nA			
				—	—	100				
I_{BIAS}	Input Bias Current		I_{IN+} or I_{IN-} , $V_{CM} = 0\text{V}$	—	20	100	nA			
				—	—	200				
V_{IR}	Input Common Mode Voltage Range (Note 6)		$V_{CC} = 30\text{V}$	0	—	$V_{CC} - 1.5$	V			
I_{CC}	Supply Current		$T_A = -40$ to $+85^\circ\text{C}$, $R_L = \infty$	$V_{CC} = 30\text{V}$	—	1.0	3	mA		
				$V_{CC} = 5\text{V}$	—	0.7	1.2			
G_V	Large Signal Voltage Gain		$V_{CC} = 15\text{V}$, $R_L \geq 2\text{k}\Omega$, $V_O = 1\text{V}$ to 11V	85	100	—	dB			
				80	—	—				
CMRR	Common Mode Rejection Ratio		DC, $V_{CM} = 0$ to $(V_{CC} - 1.5)\text{V}$	60	70	—	dB			
				60	—	—				
PSRR	Power Supply Rejection Ratio		$V_{CC} = 5$ to 30V	70	100	—	dB			
				60	—	—				
CS	Channel Separation		$f = 1\text{kHz}$ to 20kHz	—	-120	—	dB			
I_{SOURCE}	Output Current	Source	$V_{IN+} = 1\text{V}$, $V_{IN-} = 0\text{V}$, $V_{CC} = 15\text{V}$, $V_O = 2\text{V}$	20	40	—	mA			
		Sink		20	—	—				
I_{SINK}			$V_{IN+} = 0\text{V}$, $V_{IN-} = 1\text{V}$, $V_{CC} = 15\text{V}$, $V_O = 2\text{V}$	10	15	—	mA			
				5	—	—				
I_{SC}	Output Short Circuit Current to Ground		$V_{CC} = 15\text{V}$	12	50	—	μA			
				5	—	—				
V_{OH}	Output Voltage Swing		$V_{CC} = 30\text{V}$, $R_L = 2\text{k}\Omega$	—	40	60	mA			
				—	40	60				
				26	—	—		V		
				26	—	—				
V_{OL}			$V_{CC} = 30\text{V}$, $R_L = 10\text{k}\Omega$	27	28	—	V			
				27	—	—				
				mV			$V_{CC} = 5\text{V}$, $R_L = 10\text{k}\Omega$	—	5	20
								—	—	30
θ_{JC}	Thermal Resistance (Junction to Case)	SO-14	—	18	—	$^\circ\text{C}/\text{W}$				
		TSSOP-14	—	20	—					
θ_{JA}	Thermal Resistance (Junction to Ambient)	SO-14	—	91	—	$^\circ\text{C}/\text{W}$				
		TSSOP-14	—	133	—					

Notes: 5. Limits over the full temperature are guaranteed by design, but not tested in production.

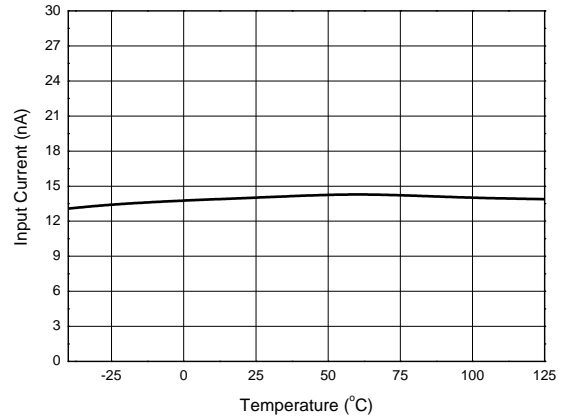
6. The input common-mode voltage of either input signal voltage should not be allowed to go negatively by more than 0.3V (at $+25^\circ\text{C}$). The upper end of the common-mode voltage range is $V_{CC} - 1.5\text{V}$ (at $+25^\circ\text{C}$), but either or both inputs can go to $+36\text{V}$ without damages, independent of the magnitude of the V_{CC} .

Performance Characteristics

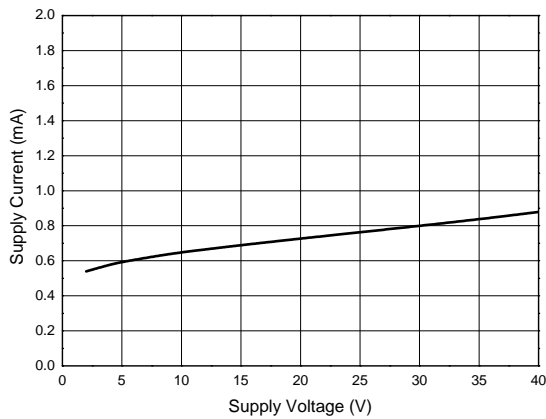
Input Voltage Range



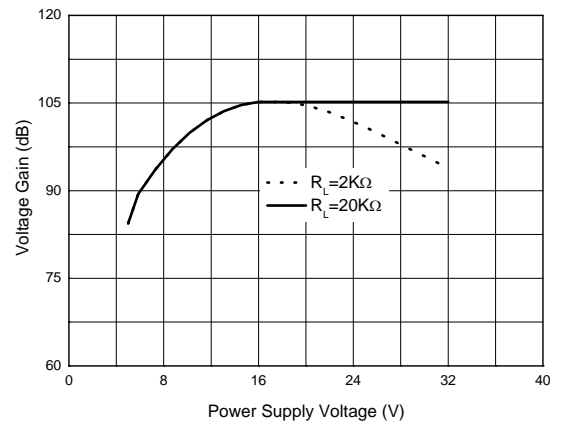
Input Current



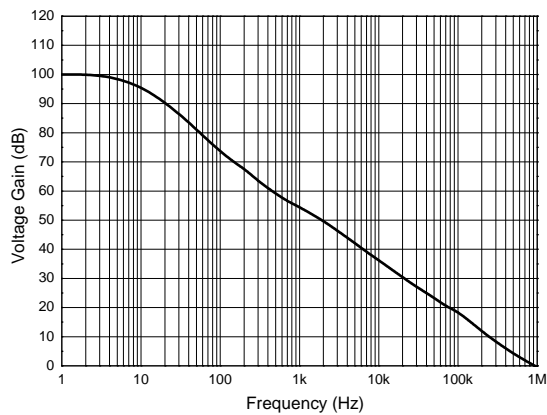
Supply Current



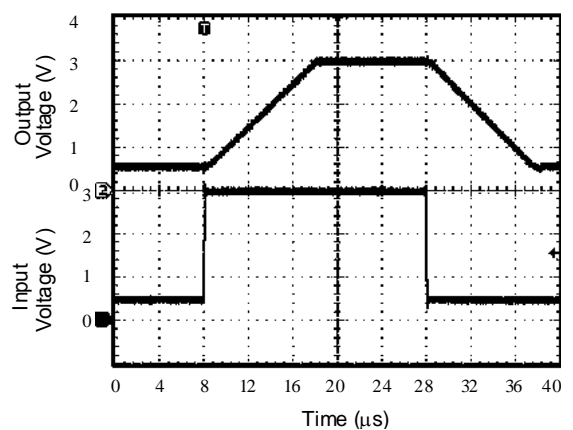
Voltage Gain



Open Loop Frequency Response

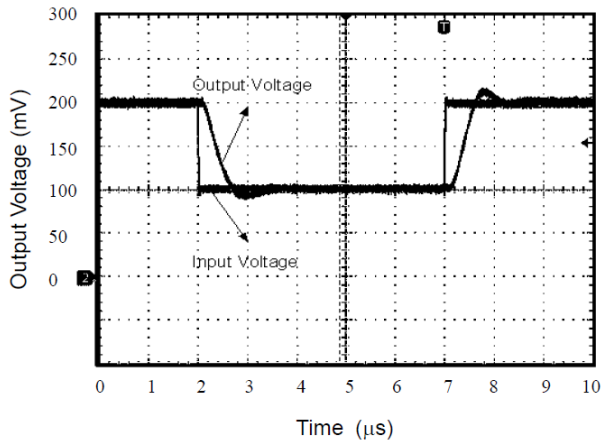


Voltage Follower Pulse Response

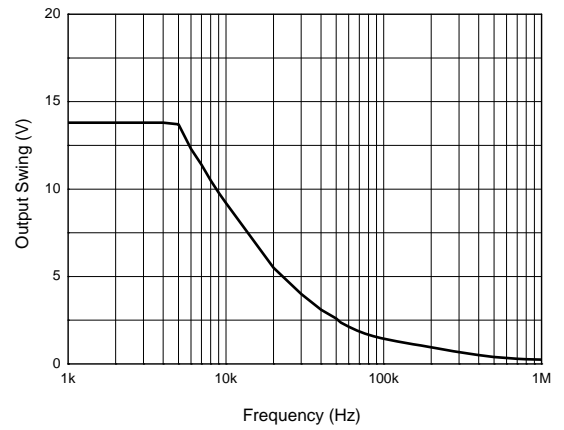


Performance Characteristics (continued)

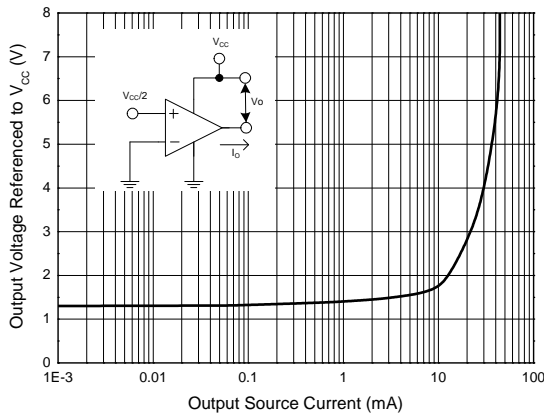
Voltage Follower Pulse Response (Small Signal)



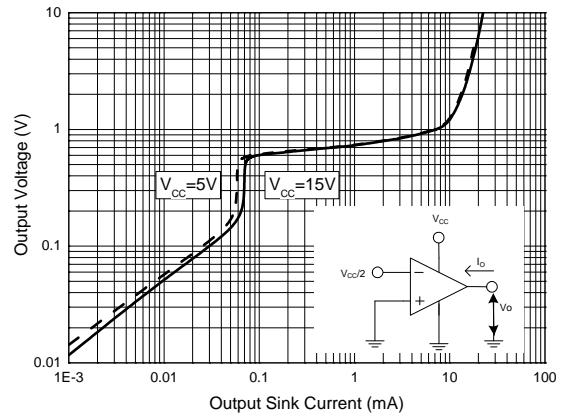
Large Signal Frequency Response



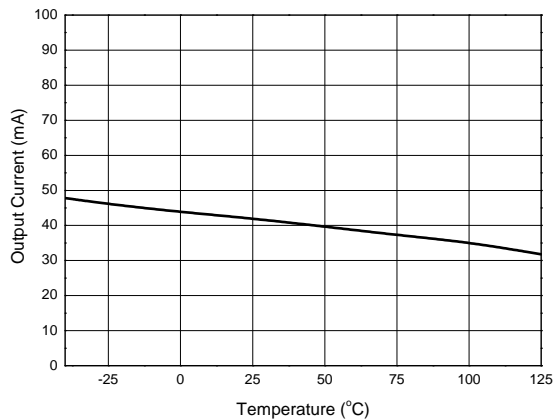
Output Characteristics: Current Sourcing



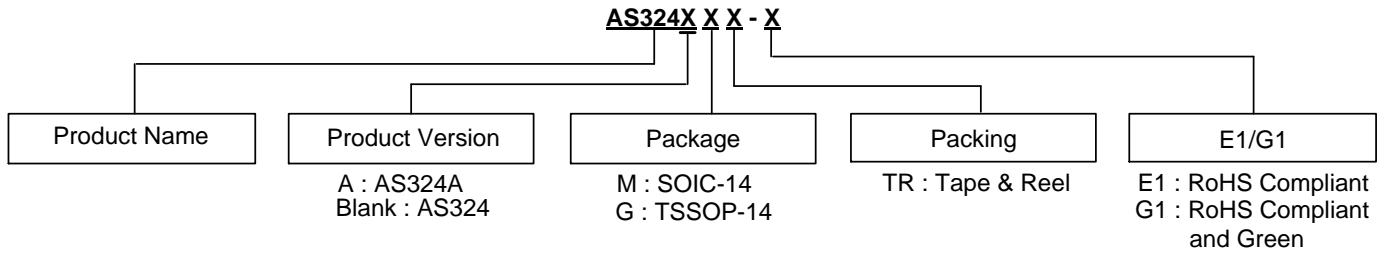
Output Characteristics: Current Sinking



Current Limiting



Ordering Information

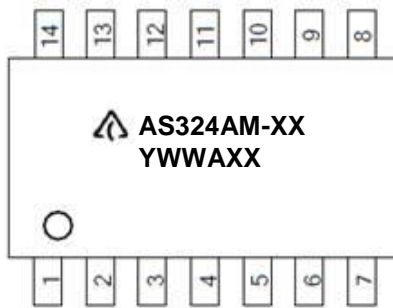
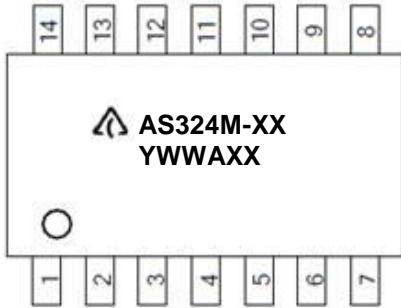


	Part Number	Package (Note 8)	RoHS Compliant Lead Free / Green	Marking ID	Packing	Quantity	Status (Note 7)	Alternative
	AS324M-E1	SO-14	Lead Free	AS324M-E1	Tube	NA	End of Life	AS324MTR-G1
	AS324MTR-E1	SO-14	Lead Free	AS324M-E1	Tape & Reel	4000	NRND	AS324MTR-G1
	AS324AM-E1	SO-14	Lead Free	AS324AM-E1	Tube	NA	End of Life	AS324AMTR-G1
	AS324AMTR-E1	SO-14	Lead Free	AS324AM-E1	Tape & Reel	4000	NRND	AS324MTR-G1
	AS324M-G1	SO-14	Green	AS324M-G1	Tube	NA	End of Life	AS324AMTR-G1
	AS324MTR-G1	SO-14	Green	AS324M-G1	Tape & Reel	4000	In Production	—
	AS324AM-G1	SO-14	Green	AS324AM-G1	Tube	NA	End of Life	AS324AMTR-G1
	AS324AMTR-G1	SO-14	Green	AS324AM-G1	Tape & Reel	4000	In Production	—
	AS324GTR-E1	TSSOP-14	Lead Free	EGS324	Tape & Reel	4000	NRND	AS324GTR-G1
	AS324GTR-G1	TSSOP-14	Green	GGG324	Tape & Reel	4000	In Production	—

- Notes:
- 7. All variants in Tube packing with package SO-14 are End of Life.
All variants with package DIP-14 are End of Life without replacements.
NRND: Not Recommended for New Design.
 - 8. For packaging details, go to our website at: <https://www.diodes.com/design/support/packaging/diodes-packaging/>.

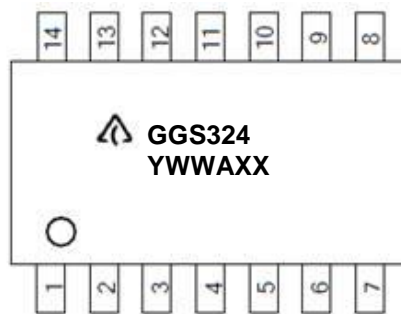
Marking information

(1) SO-14



First Line: Logo and Marking ID
(See Ordering Information)
Second Line: Date Code
Y: Year
WW: Work Week of Molding
A: Assembly House Code
XX: 7th and 8th Digits of Batch Number

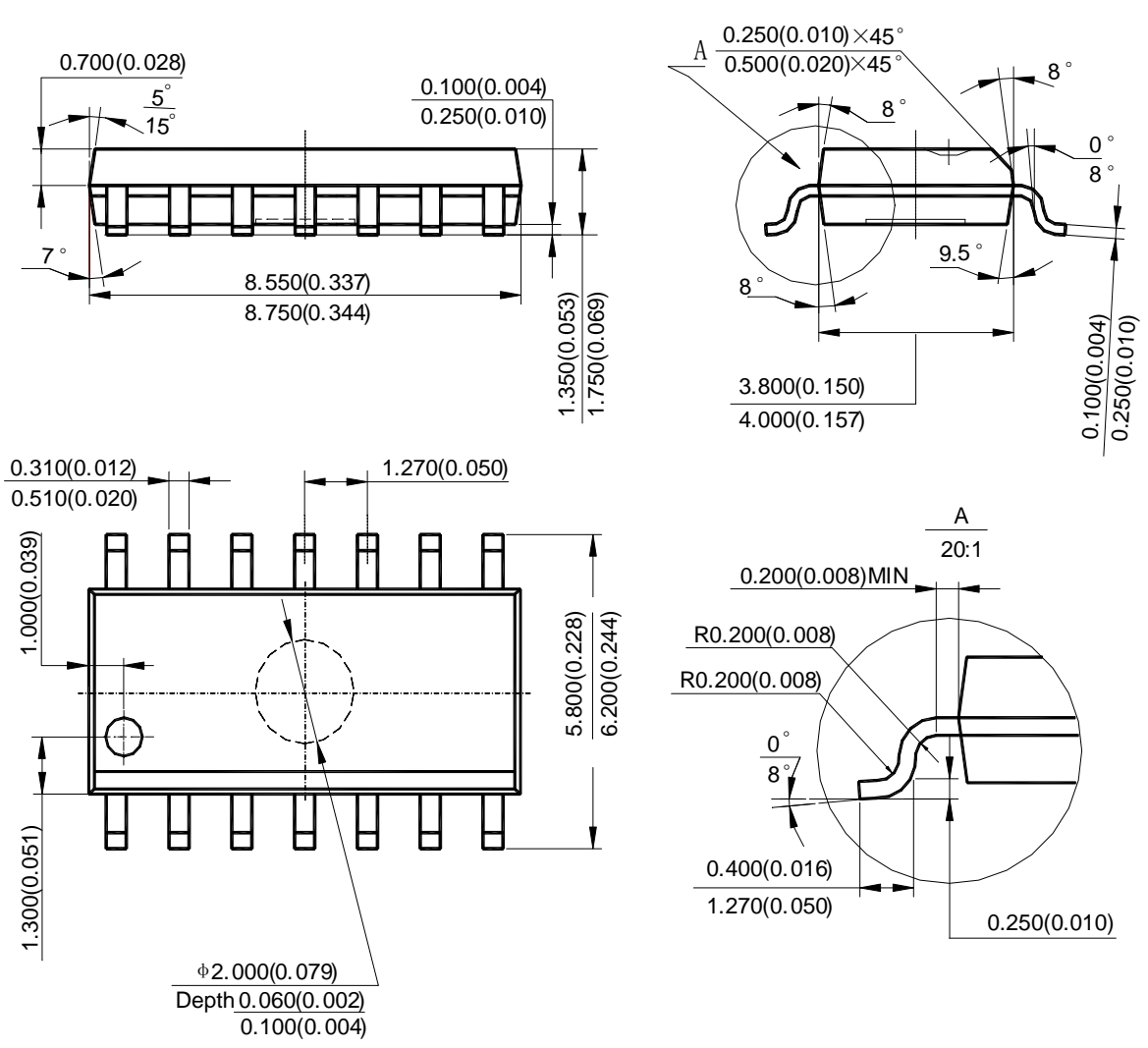
(2) TSSOP14



First Line: Logo and Marking ID
(See Ordering Information)
Second Line: Date Code
Y: Year
WW: Work Week of Molding
A: Assembly House Code
XX: 7th and 8th Digits of Batch Number

Package Outline Dimensions (All dimensions in mm (inch).)

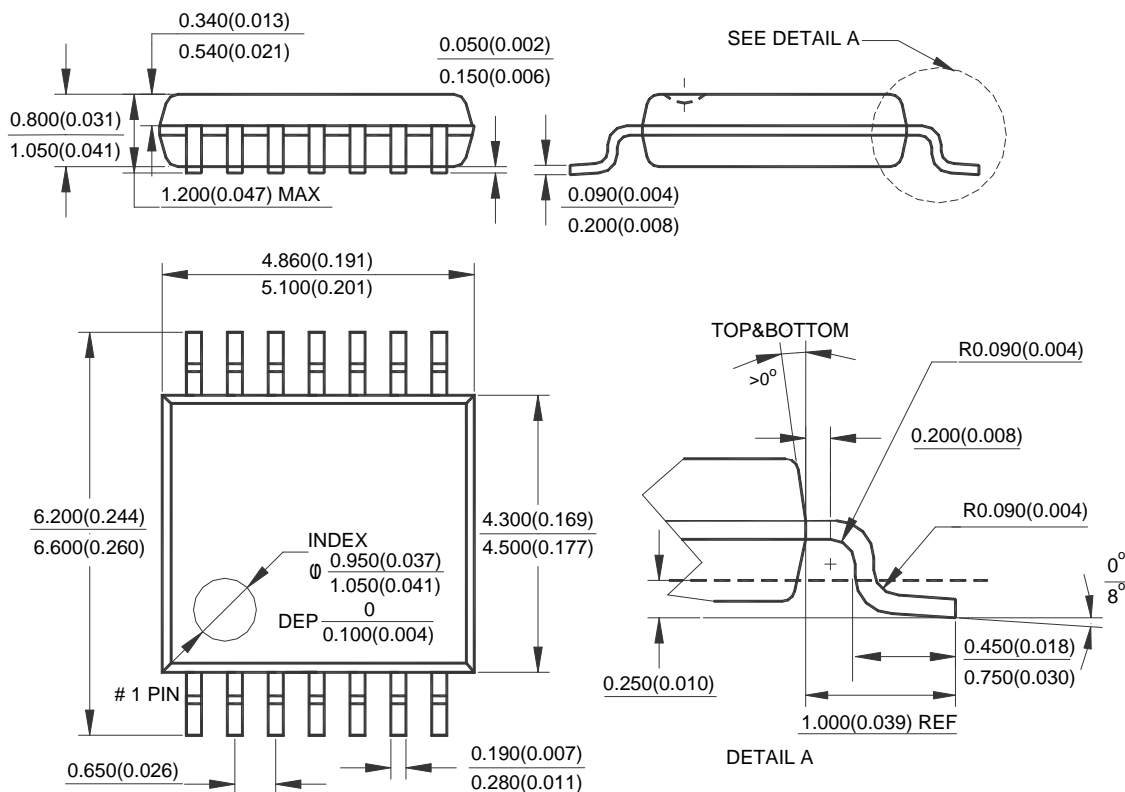
(1) Package Type: SO-14



Note: Eject hole, oriented hole and mold mark is optional.

Package Outline Dimensions (continued) (All dimensions in mm(inch).)

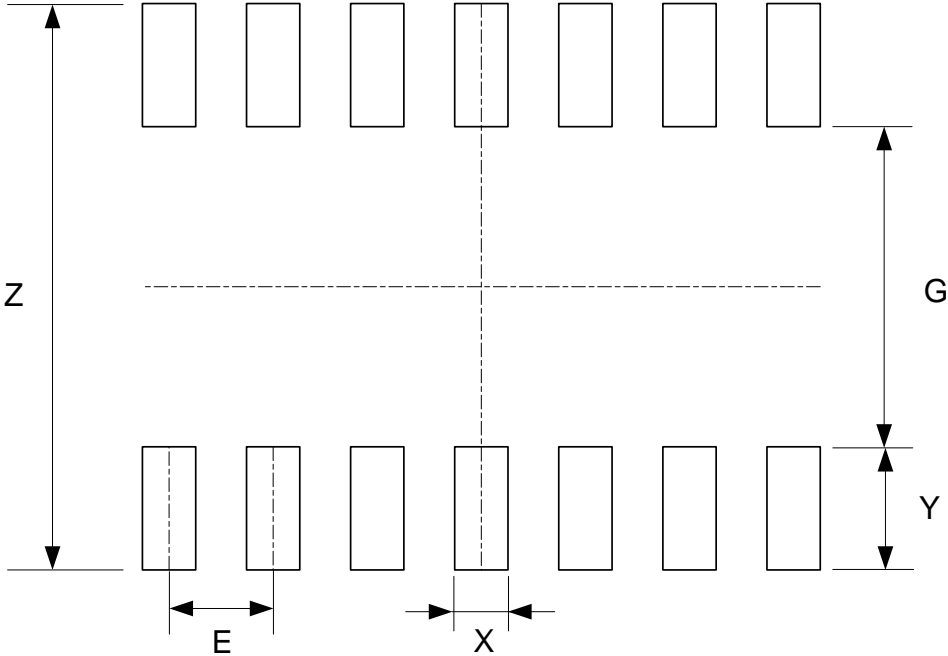
(2) Package Type: TSSOP-14



Note: Eject hole, oriented hole and mold mark is optional.

Suggested Pad Layout

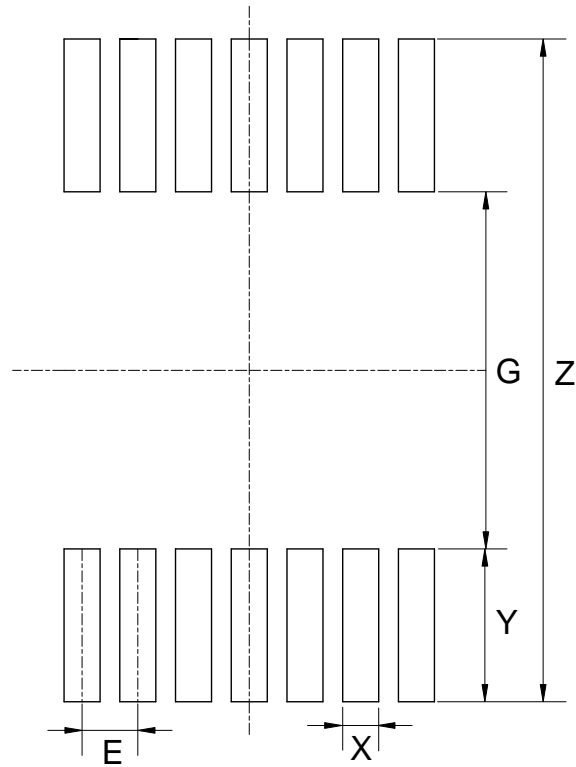
(1) Package Type: SO-14



Dimensions	Z (mm)/(inch)	G (mm)/(inch)	X (mm)/(inch)	Y (mm)/(inch)	E (mm)/(inch)
Value	6.900/0.272	3.900/0.154	0.650/0.026	1.500/0.059	1.270/0.050

Suggested Pad Layout (continued)

(2) Package Type: TSSOP-14



Dimensions	Z (mm)/(inch)	G (mm)/(inch)	X (mm)/(inch)	Y (mm)/(inch)	E (mm)/(inch)
Value	7.720/0.304	4.160/0.164	0.420/0.017	1.780/0.070	0.650/0.026

IMPORTANT NOTICE

DIODES INCORPORATED MAKES NO WARRANTY OF ANY KIND, EXPRESS OR IMPLIED, WITH REGARDS TO THIS DOCUMENT, INCLUDING, BUT NOT LIMITED TO, THE IMPLIED WARRANTIES OF MERCHANTABILITY AND FITNESS FOR A PARTICULAR PURPOSE (AND THEIR EQUIVALENTS UNDER THE LAWS OF ANY JURISDICTION).

Diodes Incorporated and its subsidiaries reserve the right to make modifications, enhancements, improvements, corrections or other changes without further notice to this document and any product described herein. Diodes Incorporated does not assume any liability arising out of the application or use of this document or any product described herein; neither does Diodes Incorporated convey any license under its patent or trademark rights, nor the rights of others. Any Customer or user of this document or products described herein in such applications shall assume all risks of such use and will agree to hold Diodes Incorporated and all the companies whose products are represented on Diodes Incorporated website, harmless against all damages.

Diodes Incorporated does not warrant or accept any liability whatsoever in respect of any products purchased through unauthorized sales channel. Should Customers purchase or use Diodes Incorporated products for any unintended or unauthorized application, Customers shall indemnify and hold Diodes Incorporated and its representatives harmless against all claims, damages, expenses, and attorney fees arising out of, directly or indirectly, any claim of personal injury or death associated with such unintended or unauthorized application.

Products described herein may be covered by one or more United States, international or foreign patents pending. Product names and markings noted herein may also be covered by one or more United States, international or foreign trademarks.

This document is written in English but may be translated into multiple languages for reference. Only the English version of this document is the final and determinative format released by Diodes Incorporated.

LIFE SUPPORT

Diodes Incorporated products are specifically not authorized for use as critical components in life support devices or systems without the express written approval of the Chief Executive Officer of Diodes Incorporated. As used herein:

A. Life support devices or systems are devices or systems which:

1. are intended to implant into the body, or
2. support or sustain life and whose failure to perform when properly used in accordance with instructions for use provided in the labeling can be reasonably expected to result in significant injury to the user.

B. A critical component is any component in a life support device or system whose failure to perform can be reasonably expected to cause the failure of the life support device or to affect its safety or effectiveness.

Customers represent that they have all necessary expertise in the safety and regulatory ramifications of their life support devices or systems, and acknowledge and agree that they are solely responsible for all legal, regulatory and safety-related requirements concerning their products and any use of Diodes Incorporated products in such safety-critical, life support devices or systems, notwithstanding any devices- or systems-related information or support that may be provided by Diodes Incorporated. Further, Customers must fully indemnify Diodes Incorporated and its representatives against any damages arising out of the use of Diodes Incorporated products in such safety-critical, life support devices or systems.

Copyright © 2019, Diodes Incorporated

www.diodes.com

X-ON Electronics

Largest Supplier of Electrical and Electronic Components

Click to view similar products for [Operational Amplifiers - Op Amps](#) category:

Click to view products by [Diodes Incorporated](#) manufacturer:

Other Similar products are found below :

[430227FB](#) [AZV831KTR-G1](#) [UPC451G2-A](#) [UPC824G2-A](#) [LT1678IS8](#) [042225DB](#) [058184EB](#) [UPC822G2-A](#) [UPC258G2-A](#)
[NCS5651MNTXG](#) [NCV33202DMR2G](#) [NJM324E](#) [NTE925](#) [5962-9080901MCA*](#) [AP4310AUMTR-AG1](#) [HA1630D02MMEL-E](#)
[HA1630S01LPEL-E](#) [SCY33178DR2G](#) [NJU77806F3-TE1](#) [NCV5652MUTWG](#) [NCV20034DR2G](#) [LM2902EDR2G](#) [NTE778S](#) [NTE871](#)
[NTE924](#) [NTE937](#) [MCP6V16UT-E/OT](#) [MCP6V17T-E/MS](#) [MCP6V19T-E/ST](#) [SCY6358ADR2G](#) [LTC2065IUD#PBF](#) [NCS20282FCTTAG](#)
[LM4565FVT-GE2](#) [EL5420CRZ-T7A](#) [TSV791IYLT](#) [TSV772IQ2T](#) [TLV2772QPWR](#) [NJM2100M-TE1](#) [NJM4556AM-TE1](#) [AS324MTR-E1](#)
[AS358MMTR-G1](#) [MCP6232T-EMNY](#) [MCP662-E/MF](#) [TLC081AIP](#) [TLC082AIP](#) [TLE2074ACDW](#) [TLV07IDR](#) [TLV2170IDGKT](#)
[TLV2455IDR](#) [TLV2461IDR](#)