

Description

The AZ1084C is a series of low dropout positive voltage regulators with a maximum dropout of 1.5V at 5A of load current.

The series features on-chip thermal limiting which provides protection against any combination of overload and ambient temperatures that would create excessive junction temperatures. It also includes a trimmed bandgap reference and a current limiting circuit.

The AZ1084C is available in 1.5V, 1.8V, 2.5V, 3.3V and 5.0V versions. The fixed versions integrate the adjust resistors. It is also available in an adjustable version which can set the output voltage with two external resistors.

The AZ1084C series is available in standard packages of TO263, TO263-2, TO252-2 (3), TO252-2 (4) and TO252-2 (5).

Features

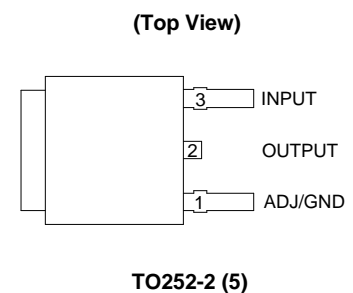
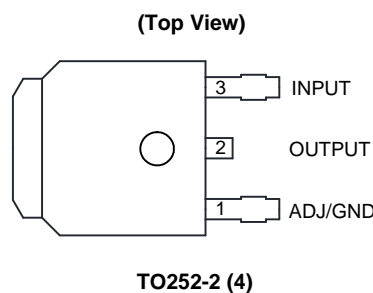
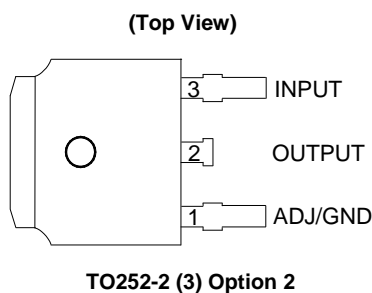
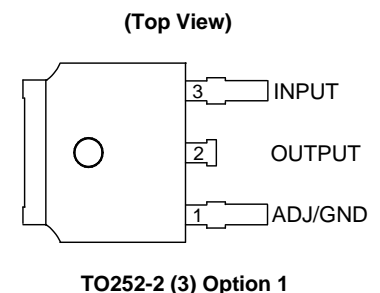
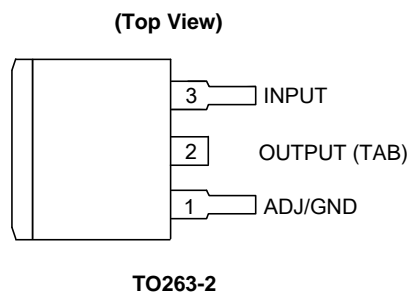
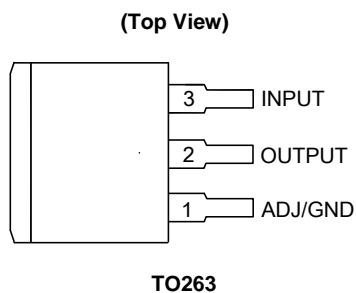
- Low Dropout Voltage: 1.35V Typical at 5A
- Current Limiting and Thermal Protection
- Output Current: 5A
- Current Limit: 6.5A
- Operating Junction Temperature Range: 0 to +125°C
- Compatible with Low ESR Ceramic Capacitor
- Line Regulation (Adj Version): 0.015% (Typ)
- Load Regulation (Adj Version): 0.1% (Typ)
- Lead-Free Packages: TO263, TO263-2
 - **Totally Lead-Free; RoHS Compliant (Notes 1 & 2)**
- Lead-Free Packages, Available in "Green" Molding Compound: TO263, TO263-2, TO252-2 (3), TO252-2 (4), TO252-2 (5)
 - **Totally Lead-Free & Fully RoHS Compliant (Notes 1 & 2)**
 - **Halogen and Antimony Free. "Green" Device (Note 3)**

Applications

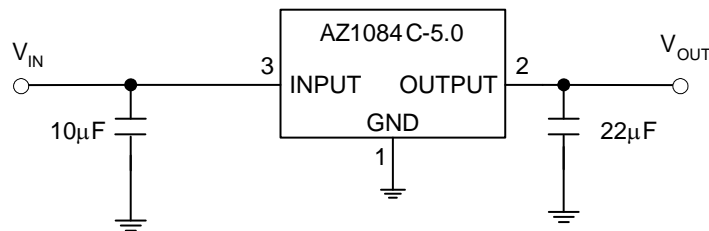
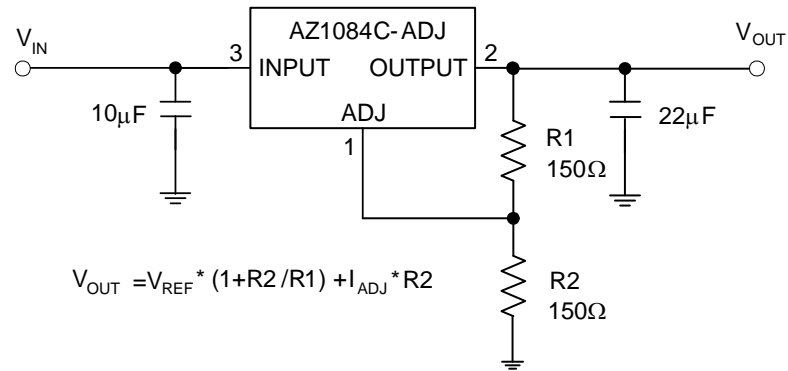
- High Efficiency Linear Regulators
- Battery Chargers
- Post Regulation for Switching Supply
- Microprocessor Supply
- Desktop PCs, RISC and Embedded Processors' Supply

- Notes:
1. No purposely added lead. Fully EU Directive 2002/95/EC (RoHS), 2011/65/EU (RoHS 2) & 2015/863/EU (RoHS 3) compliant.
 2. See <https://www.diodes.com/quality/lead-free/> for more information about Diodes Incorporated's definitions of Halogen- and Antimony-free, "Green" and Lead-free.
 3. Halogen- and Antimony-free "Green" products are defined as those which contain <900ppm bromine, <900ppm chlorine (<1500ppm total Br + Cl) and <1000ppm antimony compounds.

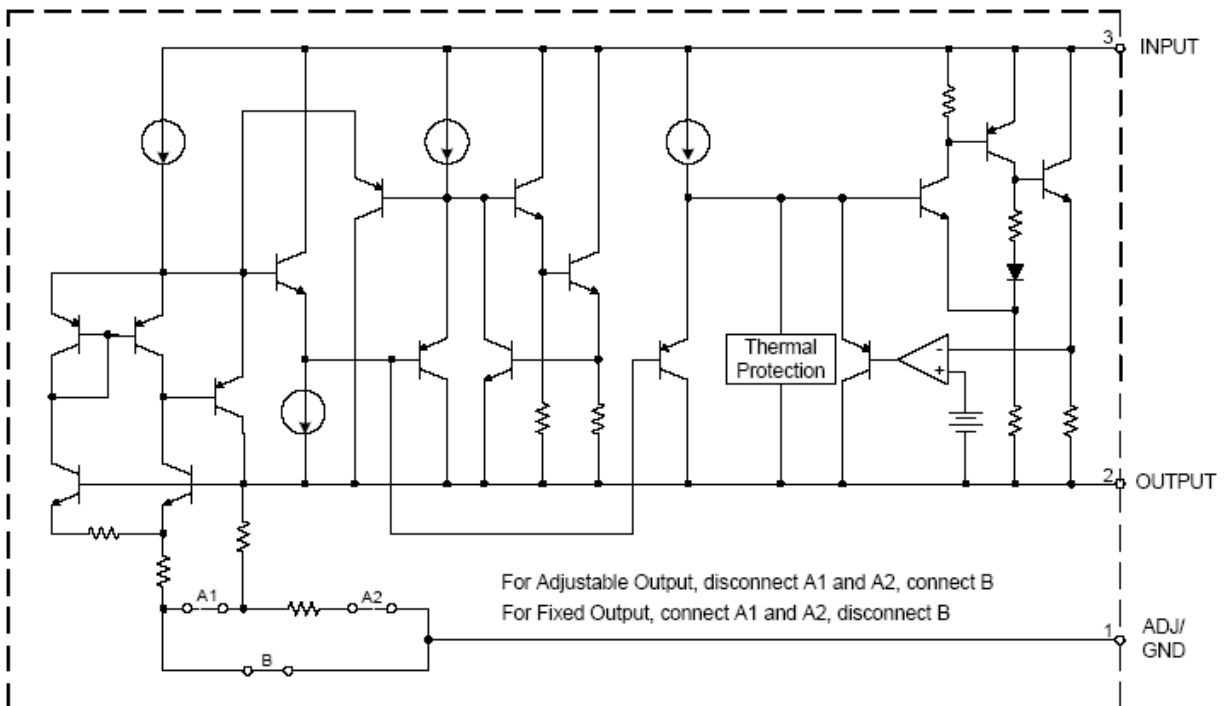
Pin Assignments



Typical Applications Circuit



Functional Block Diagram



Absolute Maximum Ratings (Note 4)

| Symbol | Parameter | Rating | Unit |
|-------------------|--------------------------------------|-------------------------------------|------|
| V _{IN} | Input Voltage | 13.2 | V |
| T _J | Operating Junction Temperature | +150 | °C |
| T _{STG} | Storage Temperature Range | -65 to +150 | °C |
| T _{LEAD} | Lead Temperature (Soldering, 10sec.) | +260 | °C |
| θ _{JA} | Thermal Resistance (Note 5) | TO263-2 | 60 |
| | | TO263 | 60 |
| | | TO252-2 (3)/TO252-2 (4)/TO252-2 (5) | 100 |
| ESD | ESD (Human Body Model) | 2000 | V |
| ESD | ESD (Machine Model) | 400 | V |

- Notes:
- Stresses greater than those listed under "Absolute Maximum Ratings" may cause permanent damage to the device. These are stress ratings only, and functional operation of the device at these or any other conditions beyond those indicated under "Recommended Operating Conditions" is not implied. Exposure to "Absolute Maximum Ratings" for extended periods may affect device reliability.
 - Absolute maximum ratings indicate limits beyond which damage to the component may occur. Electrical specifications do not apply when operating the device outside of its operating ratings. The maximum allowable power dissipation is a function of the maximum junction temperature, T_{J(max)}, the junction-to-ambient thermal resistance, θ_{JA}, and the ambient temperature, T_A. The maximum allowable power dissipation at any ambient temperature is calculated using: P_{D(max)} = (T_{J(max)} - T_A)/θ_{JA}. Exceeding the maximum allowable power dissipation will result in excessive die temperature, and the regulator will go into thermal shutdown.

Recommended Operating Conditions

| Symbol | Parameter | Min | Max | Unit |
|-----------------|--------------------------------------|-----|------|------|
| V _{IN} | Input Voltage | — | 12 | V |
| T _J | Operating Junction Temperature Range | 0 | +125 | °C |

Electrical Characteristics (Typicals and limits appearing in normal type apply for $T_J = +25^\circ\text{C}$. Limits appearing in **Boldface** type apply over the entire operating junction temperature range.)

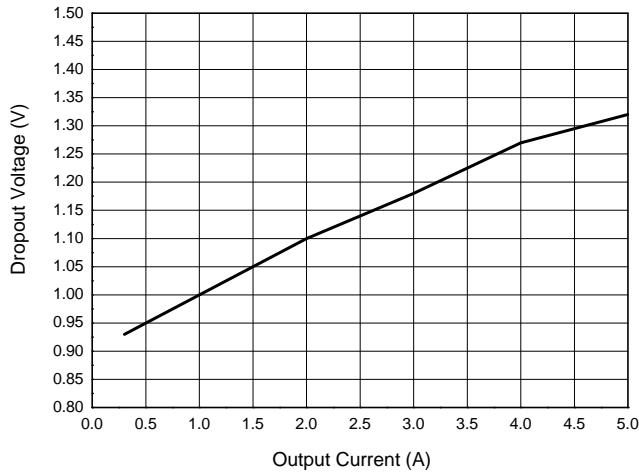
| Symbol | Parameter | Conditions | Min | Typ | Max | Unit |
|------------------|--|--|-----------------------|-----------------------|-----------------------|------|
| V_{REF} | Reference Voltage | AZ1084C-ADJ, $I_{OUT} = 10\text{mA}$, $V_{IN}-V_{OUT} = 3\text{V}$, $10\text{mA} \leq I_{OUT} \leq 5\text{A}$, $1.5\text{V} \leq V_{IN}-V_{OUT} \leq 5\text{V}$ | 1.238 1.225 | 1.250 1.250 | 1.262 1.270 | V |
| V_{OUT} | Output Voltage | AZ1084C-1.5, $I_{OUT} = 0\text{mA}$, $V_{IN} = 4.5\text{V}$, $10\text{mA} \leq I_{OUT} \leq 5\text{A}$, $3.0\text{V} \leq V_{IN} \leq 6\text{V}$ | 1.485 1.47 | 1.5 1.5 | 1.515 1.53 | V |
| | | AZ1084C-1.8, $I_{OUT} = 0\text{mA}$, $V_{IN} = 4.8\text{V}$, $10\text{mA} \leq I_{OUT} \leq 5\text{A}$, $3.3\text{V} \leq V_{IN} \leq 6\text{V}$ | 1.782 1.764 | 1.8 1.8 | 1.818 1.836 | V |
| | | AZ1084C-2.5, $I_{OUT} = 0\text{mA}$, $V_{IN} = 5.5\text{V}$ $10\text{mA} \leq I_{OUT} \leq 5\text{A}$, $4.0\text{V} \leq V_{IN} \leq 7\text{V}$ | 2.475 2.45 | 2.5 2.5 | 2.525 2.55 | V |
| | | AZ1084C-3.3, $I_{OUT} = 0\text{mA}$, $V_{IN} = 6.3\text{V}$, $10\text{mA} \leq I_{OUT} \leq 5\text{A}$, $4.8\text{V} \leq V_{IN} \leq 8\text{V}$ | 3.267 3.234 | 3.3 3.3 | 3.333 3.366 | V |
| | | AZ1084C-5.0, $I_{OUT} = 0\text{mA}$, $V_{IN} = 8\text{V}$, $10\text{mA} \leq I_{OUT} \leq 5\text{A}$, $6.5\text{V} \leq V_{IN} \leq 10\text{V}$ | 4.95 4.9 | 5 5 | 5.05 5.1 | V |
| ΔV_{OUT} | Line Regulation | AZ1084C-ADJ, $I_{OUT} = 10\text{mA}$, $2.85\text{V} \leq V_{IN} \leq 10\text{V}$ | — | 0.015 0.035 | 0.2 0.2 | % |
| | | AZ1084C-1.5, $I_{OUT} = 10\text{mA}$, $3.0\text{V} \leq V_{IN} \leq 10\text{V}$ | — | 0.5 1 | 6 6 | mV |
| | | AZ1084C-1.8, $I_{OUT} = 10\text{mA}$, $3.3\text{V} \leq V_{IN} \leq 10\text{V}$ | — | 0.5 1 | 6 6 | mV |
| | | AZ1084C-2.5, $I_{OUT} = 10\text{mA}$, $4.0\text{V} \leq V_{IN} \leq 10\text{V}$ | — | 0.5 1 | 6 6 | mV |
| | | AZ1084C-3.3, $I_{OUT} = 10\text{mA}$, $4.8\text{V} \leq V_{IN} \leq 10\text{V}$ | — | 0.5 1 | 6 6 | mV |
| | | AZ1084C-5.0, $I_{OUT} = 10\text{mA}$, $6.5\text{V} \leq V_{IN} \leq 10\text{V}$ | — | 0.5 1 | 10 10 | mV |
| ΔV_{OUT} | Load Regulation | AZ1084C-ADJ, $0\text{mA} \leq I_{OUT} \leq 5\text{A}$, $V_{IN}-V_{OUT} = 3\text{V}$ | — | 0.1 0.2 | 0.3 0.4 | % |
| | | AZ1084C-1.5, $0\text{mA} \leq I_{OUT} \leq 5\text{A}$, $V_{IN}-V_{OUT} = 3\text{V}$ | — | 3 7 | 15 20 | mV |
| | | AZ1084C-1.8, $0\text{mA} \leq I_{OUT} \leq 5\text{A}$, $V_{IN}-V_{OUT} = 3\text{V}$ | — | 3 7 | 15 20 | mV |
| | | AZ1084C-2.5, $0\text{mA} \leq I_{OUT} \leq 5\text{A}$, $V_{IN}-V_{OUT} = 3\text{V}$ | — | 3 7 | 15 20 | mV |
| | | AZ1084C-3.3, $0\text{mA} \leq I_{OUT} \leq 5\text{A}$, $V_{IN}-V_{OUT} = 3\text{V}$ | — | 3 7 | 15 20 | mV |
| | | AZ1084C-5.0, $0\text{mA} \leq I_{OUT} \leq 5\text{A}$, $V_{IN}-V_{OUT} = 3\text{V}$ | — | 5 10 | 20 35 | mV |
| V_{DRO} | Dropout Voltage | $I_{OUT} = 4.5\text{A}$, ΔV_{REF} , $\Delta V_{OUT} = 1\%$ | — | 1.35 | 1.5 | V |
| θ_{JC} | Thermal Resistance (Junction to Case) | TO263 | — | 4.15 | — | °C/W |
| | | TO263-2 | — | 4.15 | — | |
| | | TO252-2 (3)/TO252-2 (4)/TO252-2 (5) | — | 7.36 | — | |

Electrical Characteristics (Cont. Typicals and limits appearing in normal type apply for $T_J = +25^\circ\text{C}$. Limits appearing in **Boldface** type apply over the entire operating junction temperature range.)

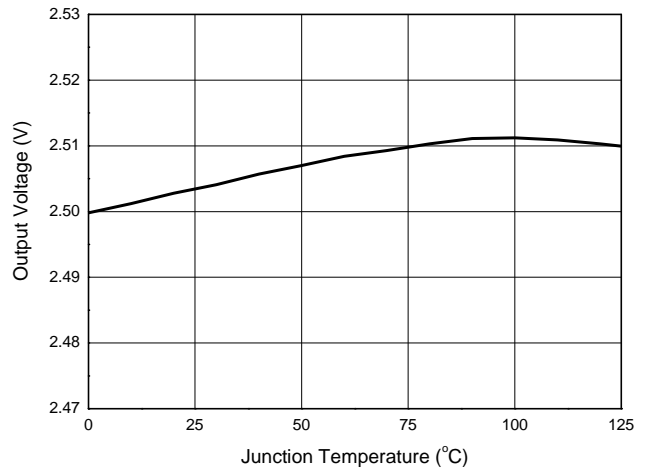
| Symbol | Parameter | Conditions | Min | Typ | Max | Unit |
|------------------|-----------------------------|---|-----------|------------|------------|---------------|
| I_{LIMIT} | Current Limit | $V_{IN}-V_{OUT} = 3V$ | 5.5 | 6.5 | — | A |
| $I_{LOAD (MIN)}$ | Minimum Load Current | $V_{IN} = 10V$ (AZ1084C-ADJ) | — | 3 | 10 | mA |
| I_Q | Quiescent Current | $V_{IN} = 10V$ (AZ1084C) | — | 5 | 10 | mA |
| PSRR | Ripple Rejection | $f_{RIPPLE} = 120\text{Hz}$, $C_{OUT} = 25\mu\text{F}$ Tantalum, $I_{OUT} = 5A$, $V_{IN}-V_{OUT} = 3V$ | 60 | 72 | — | dB |
| I_{ADJ} | Adjust Pin Current | $V_{IN} = 4.25V$, $I_{OUT} = 10\text{mA}$ | — | 55 | 120 | μA |
| ΔI_{ADJ} | Adjust Pin Current Change | $10\text{mA} \leq I_{OUT} \leq 5A$, $1.5V \leq (V_{IN}-V_{OUT}) \leq 4.5V$ | — | 0.2 | 5 | μA |
| — | Temperature Stability | $I_{OUT} = 10\text{mA}$, $V_{IN}-V_{OUT} = 1.5V$ | — | 0.5 | — | % |
| — | Long Term Stability | $T_A = +125^\circ\text{C}$, 1000Hrs | — | 0.5 | — | % |
| — | RMS Noise (% of V_{OUT}) | $10\text{Hz} \leq f \leq 10\text{kHz}$ | — | 0.003 | — | % |

Performance Characteristics

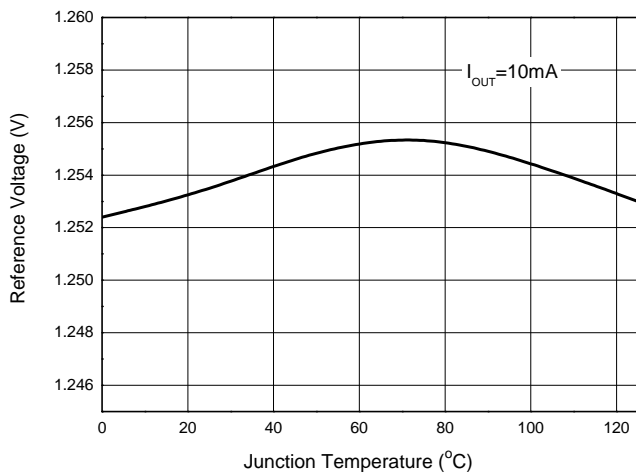
Dropout Voltage vs. Output Current



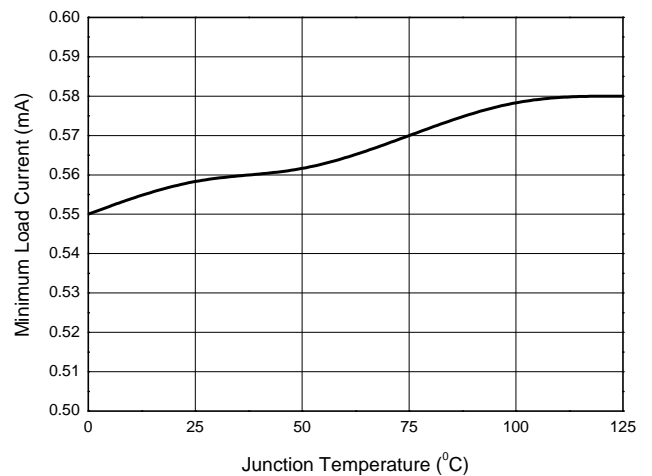
Output Voltage vs. Junction Temperature



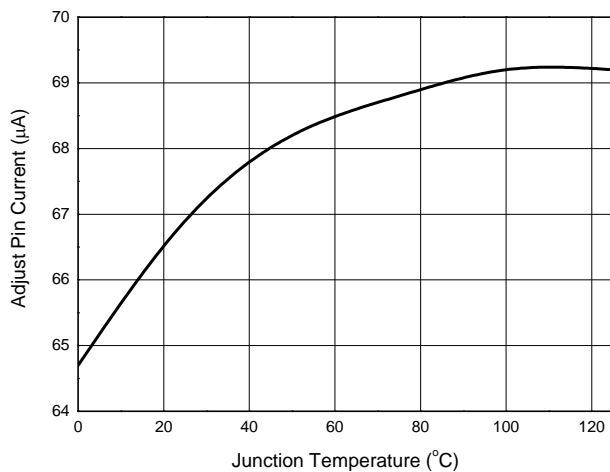
Reference Voltage vs. Junction Temperature



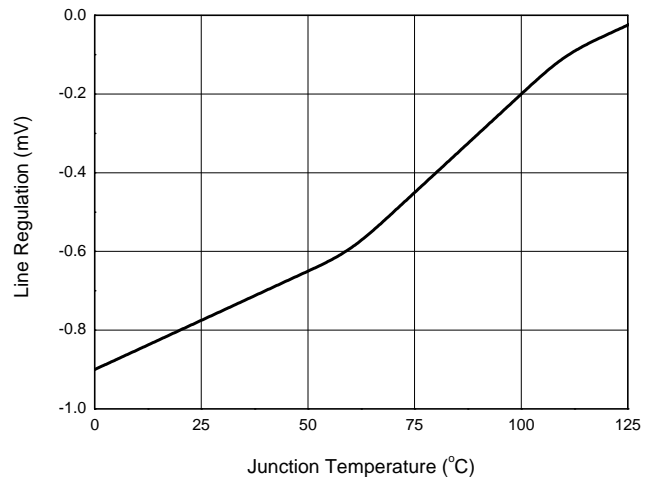
Minimum Load Current vs. Junction Temperature



Adjust Pin Current vs. Junction Temperature

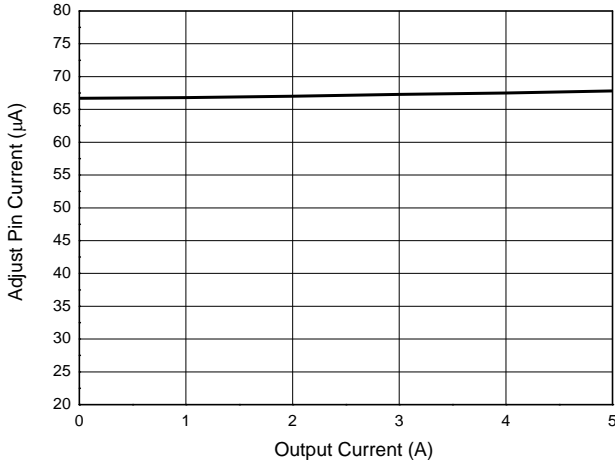


Line Regulation vs. Junction Temperature

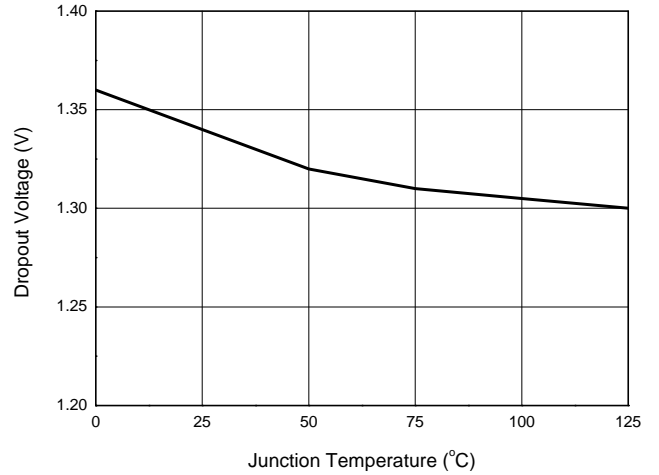


Performance Characteristics (Cont.)

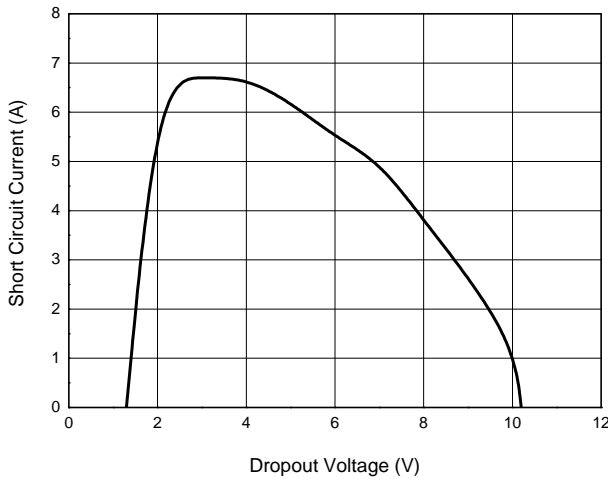
Adjust Pin Current vs. Output Current



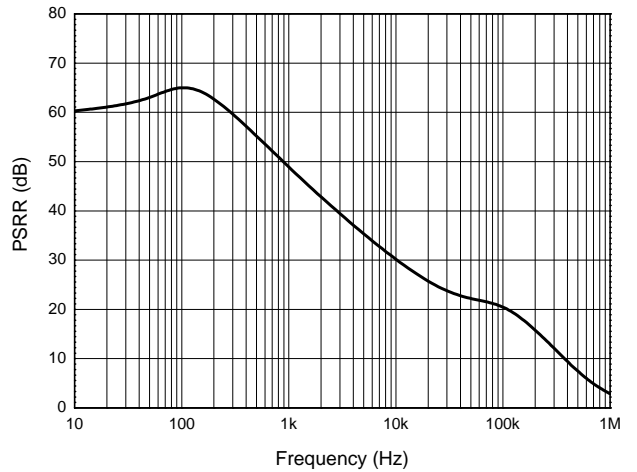
Dropout Voltage vs. Junction Temperature



Short Circuit Current vs. Dropout Voltage

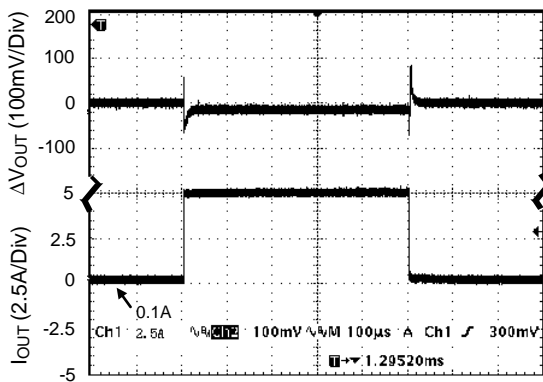


PSRR vs. Frequency



Load Transient Response

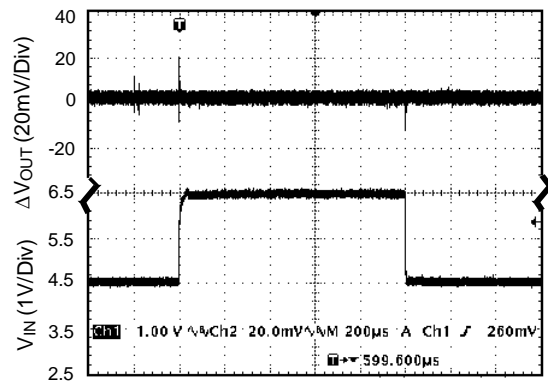
(Conditions: $V_{IN} = 5.5V$, $V_{OUT} = 2.5V$,
 $I_{OUT} = 10mA$ to $5A$, $C_{IN} = 10\mu F$, $C_{OUT} = 10\mu F$)



Time (100µs/Div)

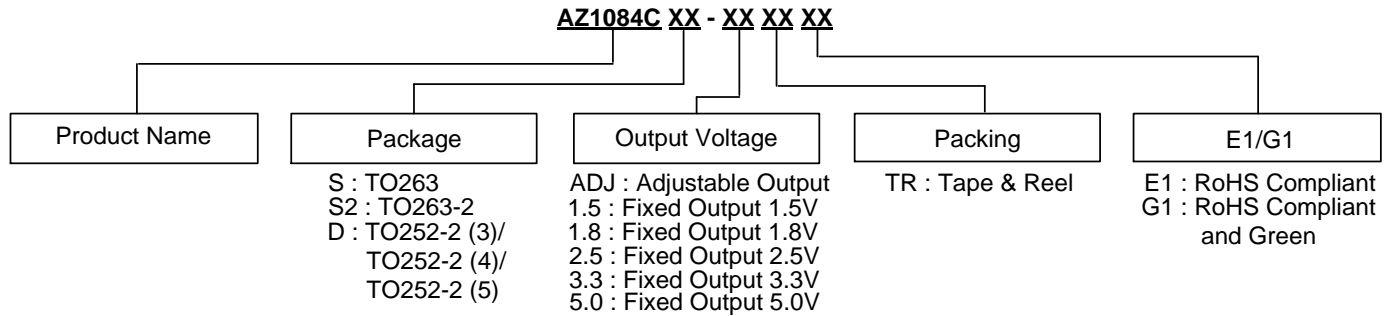
Line Transient Response

(Conditions: $V_{IN} = 4.5V$ to $6.5V$, $V_{OUT} = 2.5V$,
 $I_{OUT} = 200mA$, $C_{OUT} = 10\mu F$)



Time (200µs/Div)

Ordering Information



| Package | Temperature Range | Part Number | | Marking ID | | Packing |
|---------|-------------------|-------------------|--------------------------|-----------------|--------------------------|-----------------|
| | | RoHS Compliant | RoHS Compliant and Green | RoHS Compliant | RoHS Compliant and Green | |
| TO263 | 0 to +125°C | AZ1084CS-ADJTRE1 | AZ1084CS-ADJTRG1 | AZ1084CS-ADJE1 | AZ1084CS-ADJG1 | 800/Tape & Reel |
| TO263 | 0 to +125°C | AZ1084CS-1.5TRE1 | AZ1084CS-1.5TRG1 | AZ1084CS-1.5E1 | AZ1084CS-1.5G1 | 800/Tape & Reel |
| TO263 | 0 to +125°C | AZ1084CS-1.8TRE1 | AZ1084CS-1.8TRG1 | AZ1084CS-1.8E1 | AZ1084CS-1.8G1 | 800/Tape & Reel |
| TO263 | 0 to +125°C | AZ1084CS-2.5TRE1 | AZ1084CS-2.5TRG1 | AZ1084CS-2.5E1 | AZ1084CS-2.5G1 | 800/Tape & Reel |
| TO263 | 0 to +125°C | AZ1084CS-3.3TRE1 | AZ1084CS-3.3TRG1 | AZ1084CS-3.3E1 | AZ1084CS-3.3G1 | 800/Tape & Reel |
| TO263 | 0 to +125°C | AZ1084CS-5.0TRE1 | AZ1084CS-5.0TRG1 | AZ1084CS-5.0E1 | AZ1084CS-5.0G1 | 800/Tape & Reel |
| TO263-2 | 0 to +125°C | AZ1084CS2-ADJTRE1 | AZ1084CS2-ADJTRG1 | AZ1084CS2-ADJE1 | AZ1084CS2-ADJG1 | 800/Tape & Reel |
| TO263-2 | 0 to +125°C | AZ1084CS2-1.5TRE1 | AZ1084CS2-1.5TRG1 | AZ1084CS2-1.5E1 | AZ1084CS2-1.5G1 | 800/Tape & Reel |
| TO263-2 | 0 to +125°C | AZ1084CS2-1.8TRE1 | AZ1084CS2-1.8TRG1 | AZ1084CS2-1.8E1 | AZ1084CS2-1.8G1 | 800/Tape & Reel |
| TO263-2 | 0 to +125°C | AZ1084CS2-2.5TRE1 | AZ1084CS2-2.5TRG1 | AZ1084CS2-2.5E1 | AZ1084CS2-2.5G1 | 800/Tape & Reel |
| TO263-2 | 0 to +125°C | AZ1084CS2-3.3TRE1 | AZ1084CS2-3.3TRG1 | AZ1084CS2-3.3E1 | AZ1084CS2-3.3G1 | 800/Tape & Reel |
| TO263-2 | 0 to +125°C | AZ1084CS2-5.0TRE1 | AZ1084CS2-5.0TRG1 | AZ1084CS2-5.0E1 | AZ1084CS2-5.0G1 | 800/Tape & Reel |



Ordering Information (Cont.)

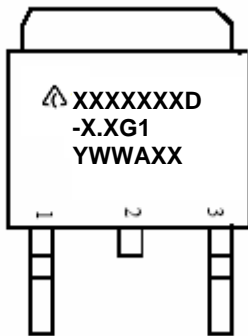


| Package | Temperature Range | Part Number | | Marking ID | | Packing |
|---------------------|-------------------|----------------|--------------------------|----------------|--------------------------|------------------|
| | | RoHS Compliant | RoHS Compliant and Green | RoHS Compliant | RoHS Compliant and Green | |
| TO252-2 (3)/(4)/(5) | 0 to +125°C | — | AZ1084CD-ADJTRG1 | — | AZ1084CD-ADJG1 | 2500/Tape & Reel |
| TO252-2 (3)/(4)/(5) | 0 to +125°C | — | AZ1084CD-1.5TRG1 | — | AZ1084CD-1.5G1 | 2500/Tape & Reel |
| TO252-2 (3)/(4)/(5) | 0 to +125°C | — | AZ1084CD-1.8TRG1 | — | AZ1084CD-1.8G1 | 2500/Tape & Reel |
| TO252-2 (3)/(4)/(5) | 0 to +125°C | — | AZ1084CD-2.5TRG1 | — | AZ1084CD-2.5G1 | 2500/Tape & Reel |
| TO252-2 (3)/(4)/(5) | 0 to +125°C | — | AZ1084CD-3.3TRG1 | — | AZ1084CD-3.3G1 | 2500/Tape & Reel |
| TO252-2 (3)/(4)/(5) | 0 to +125°C | — | AZ1084CD-5.0TRG1 | — | AZ1084CD-5.0G1 | 2500/Tape & Reel |

Marking Information

(1) TO252-2 Series

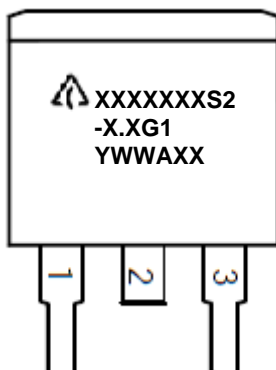
(Top View)



First and Second Lines: Logo and Marking ID
(See Ordering Information)
Third Line: Date Code
Y: Year
WW: Work Week of Molding
A: Assembly House Code
XX: 7th and 8th Digits of Batch Number

(2) TO263-2 Series

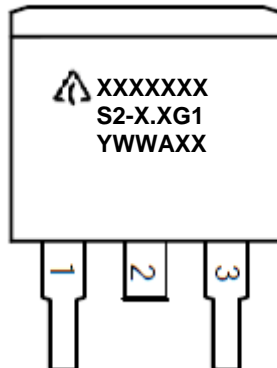
(Top View)



First and Second Lines: Logo and Marking ID
(See Ordering Information) (G1 may be E1 depending on product)
Third Line: Date Code
Y: Year
WW: Work Week of Molding
A: Assembly House Code
XX: 7th and 8th Digits of Batch Number

Marking Information (Cont.)

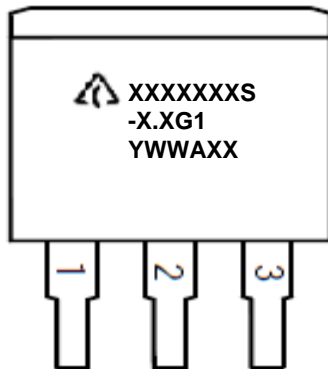
(Top View)



First and Second Lines: Logo and Marking ID
(See Ordering Information) (G1 may be E1 depending on product)
Third Line: Date Code
Y: Year
WW: Work Week of Molding
A: Assembly House Code
XX: 7th and 8th Digits of Batch Number

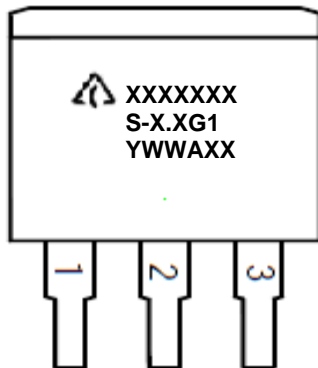
(3) TO263 Series

(Top View)



First and Second Lines: Logo and Marking ID
(See Ordering Information) (G1 may be E1 depending on product)
Third Line: Date Code
Y: Year
WW: Work Week of Molding
A: Assembly House Code
XX: 7th and 8th Digits of Batch Number

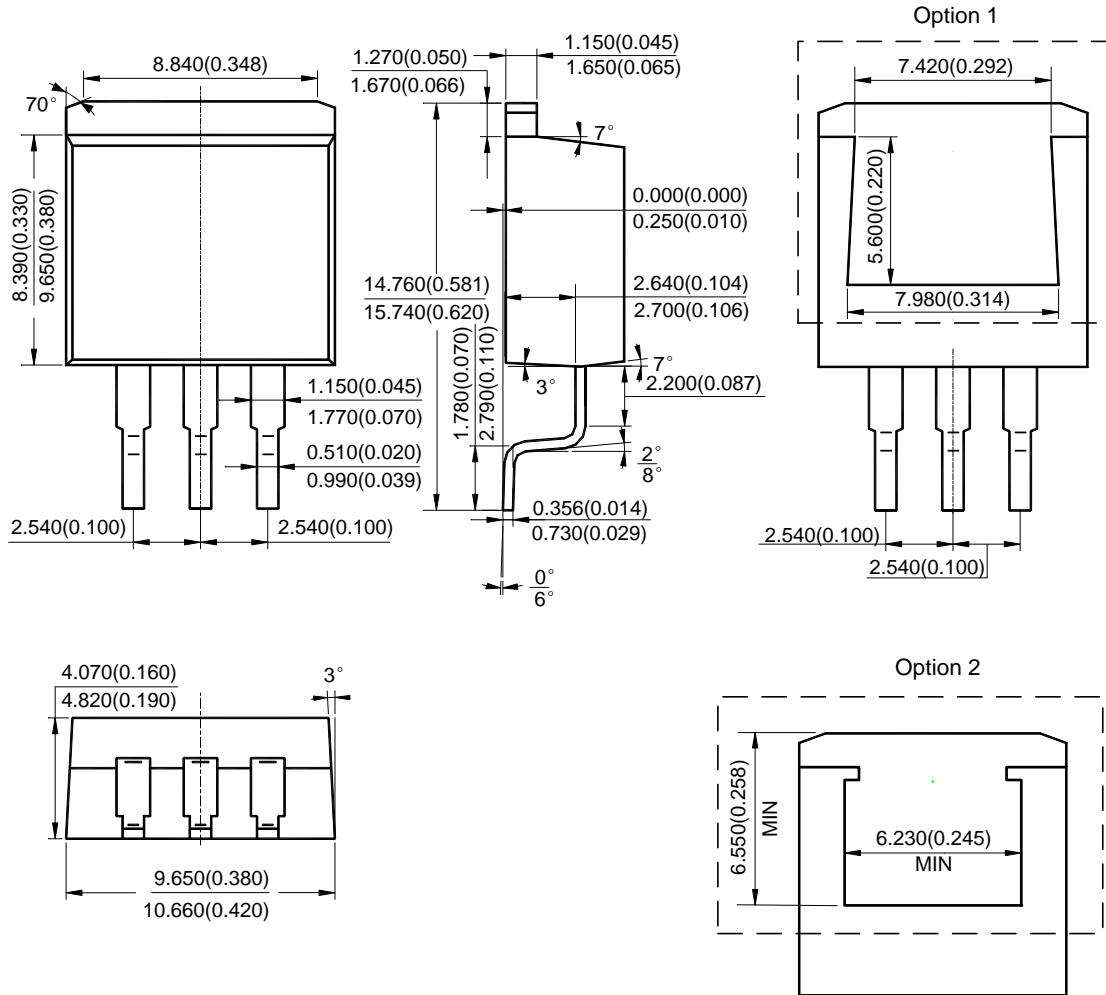
(Top View)



First and Second Lines: Logo and Marking ID
(See Ordering Information) (G1 may be E1 depending on product)
Third Line: Date Code
Y: Year
WW: Work Week of Molding
A: Assembly House Code
XX: 7th and 8th Digits of Batch Number

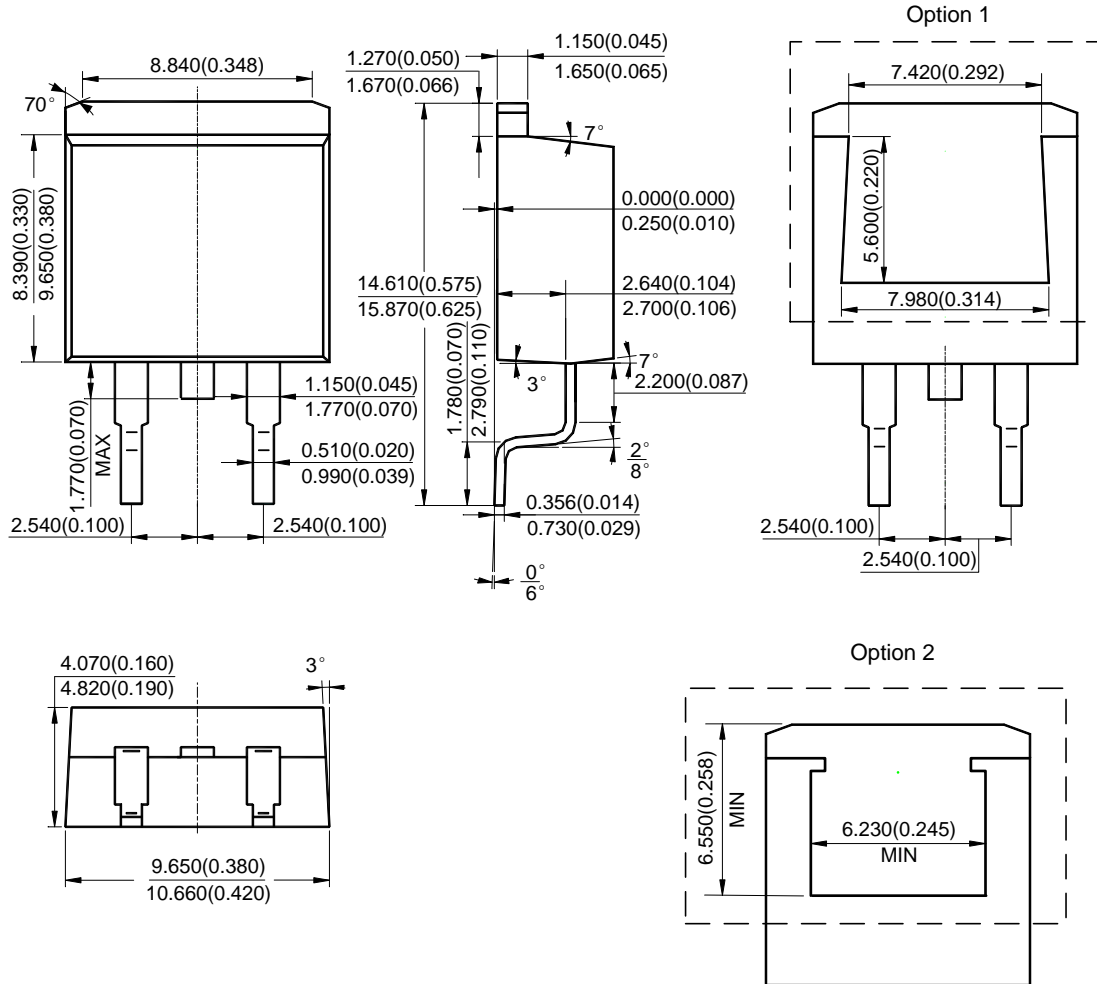
Package Outline Dimensions (All dimensions in mm(inch).)

(1) Package Type: TO263



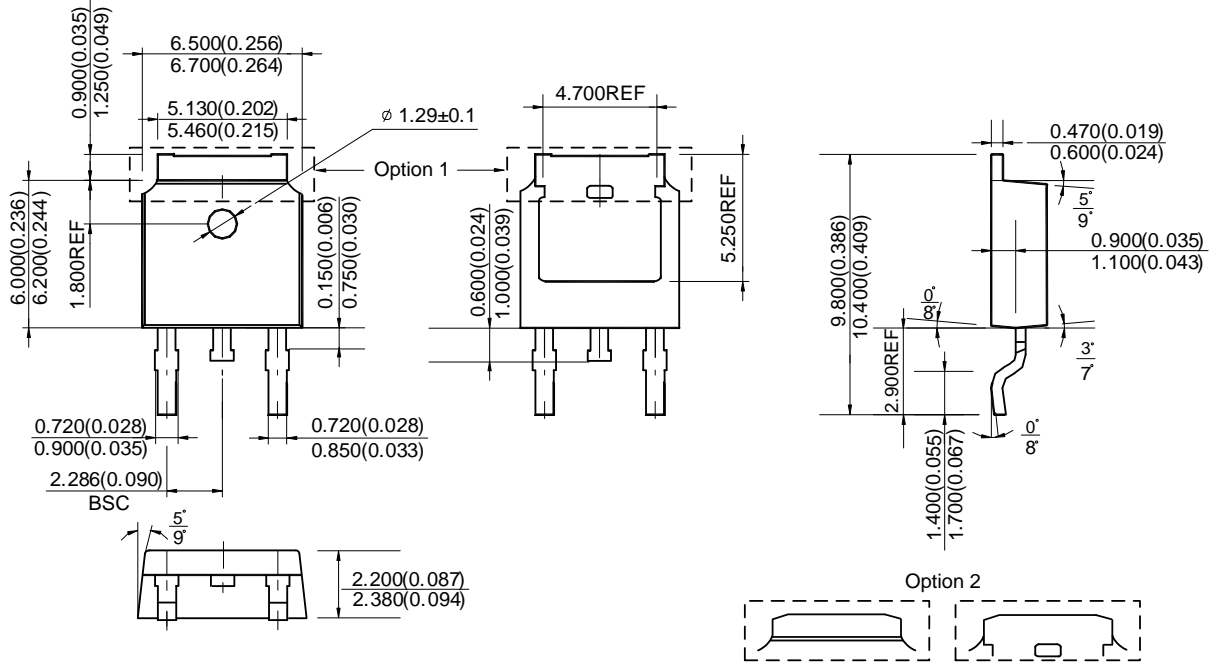
Package Outline Dimensions (Cont. All dimensions in mm(inch).)

(2) Package Type: TO263-2



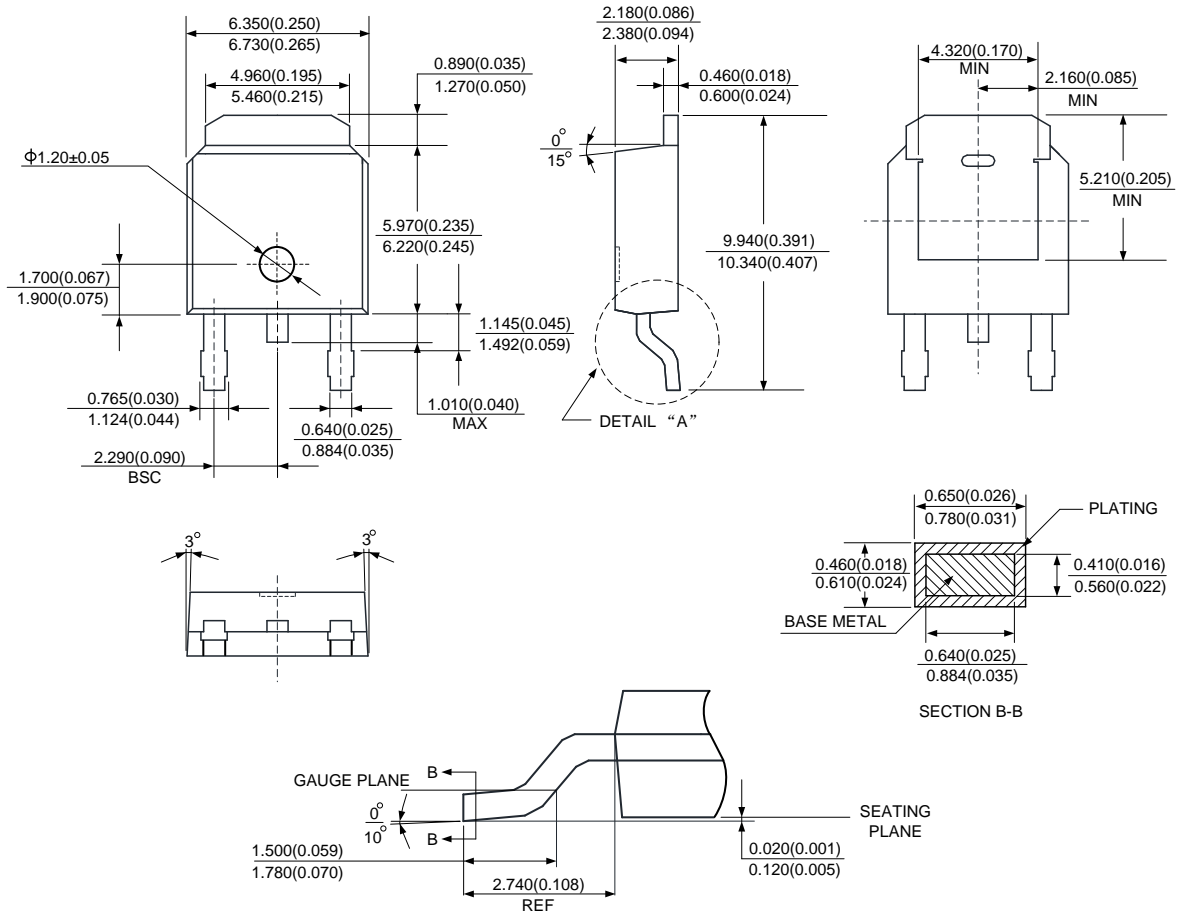
Package Outline Dimensions (Cont. All dimensions in mm(inch).)

(3) Package Type: TO252-2 (3)



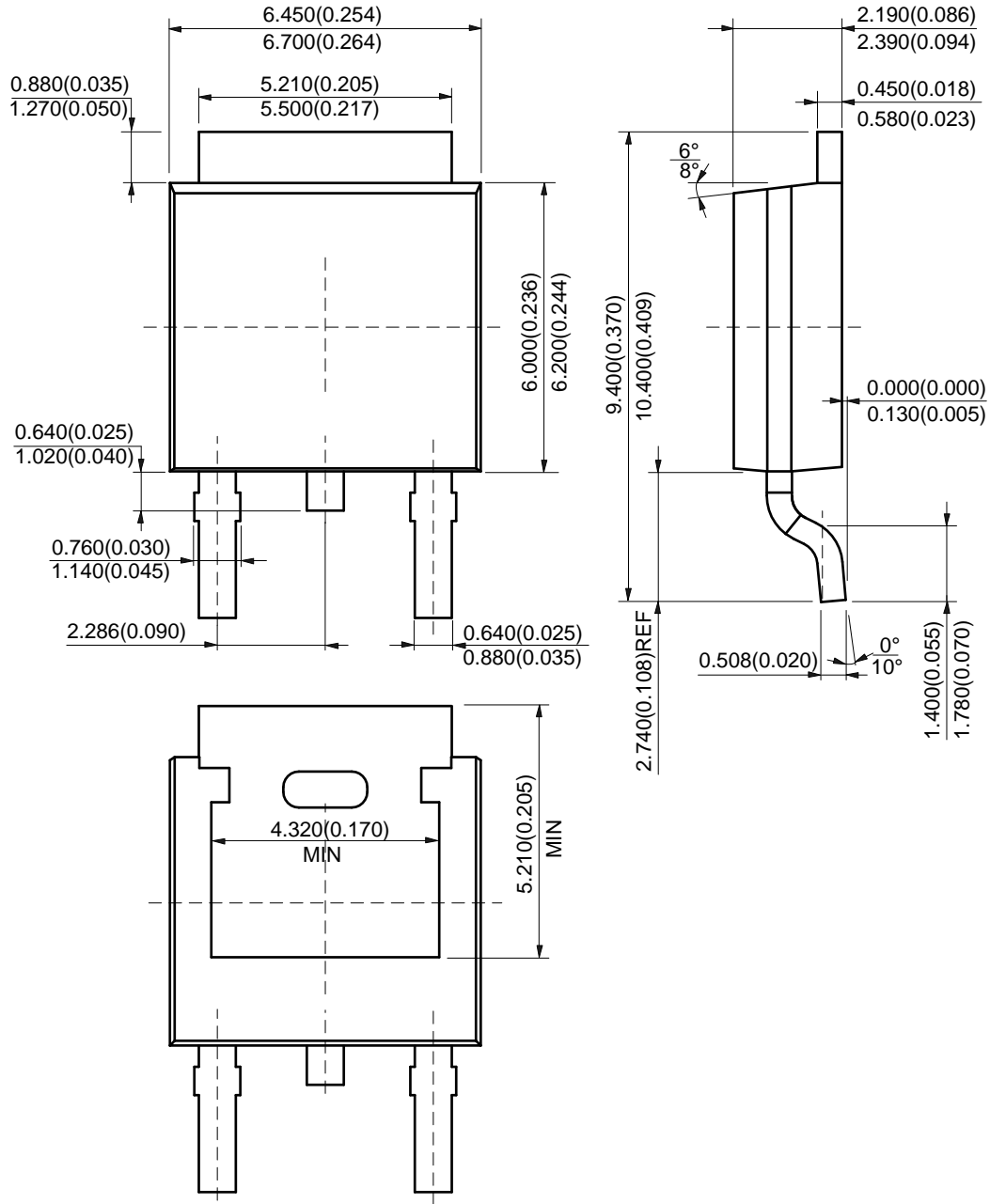
Package Outline Dimensions (Cont. All dimensions in mm(inch).)

(4) Package Type: TO252-2 (4)



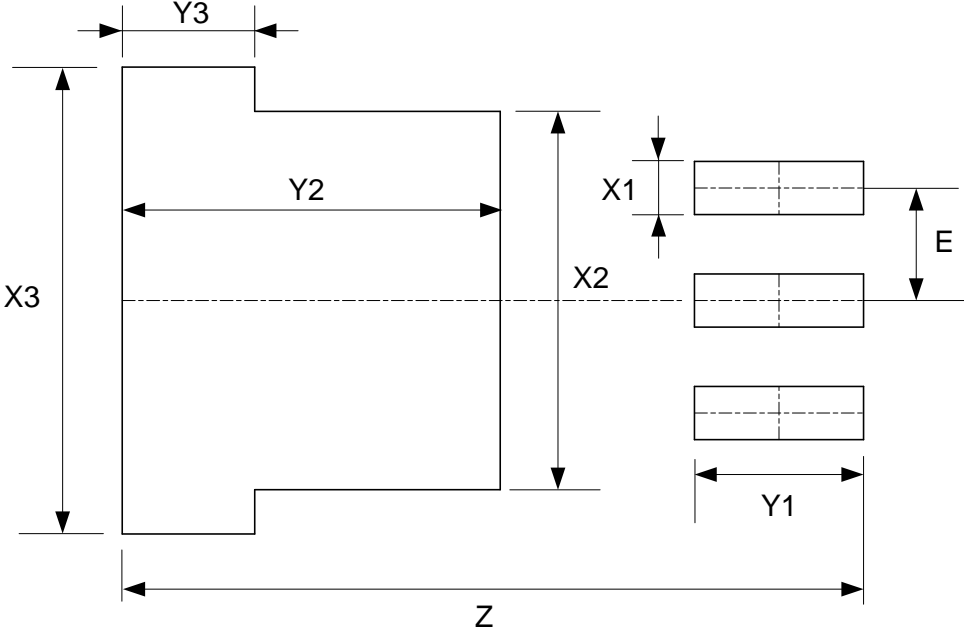
Package Outline Dimensions (Cont. All dimensions in mm(inch).)

(5) Package Type: TO252-2 (5)



Suggested Pad Layout

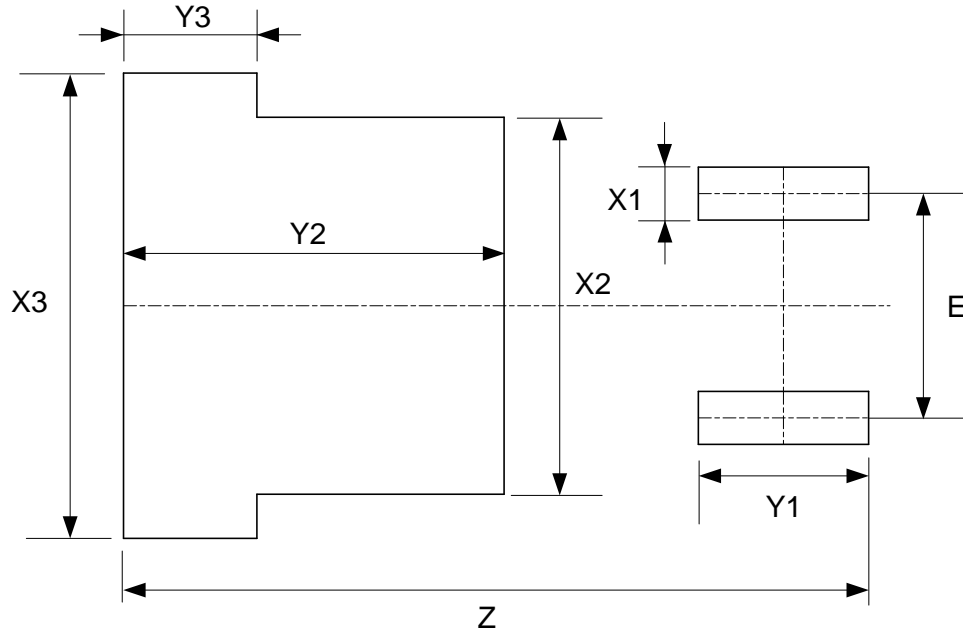
(1) Package Type: TO263



| | | | | |
|------------|-------------------|-------------------|-------------------|-------------------|
| Dimensions | Z (mm)/(inch) | X1 (mm)/(inch) | X2 (mm)/(inch) | X3 (mm)/(inch) |
| Value | 16.760/0.660 | 1.200/0.047 | 8.540/0.336 | 10.540/0.415 |
| Dimensions | Y1 (mm)/(inch) | Y2 (mm)/(inch) | Y3 (mm)/(inch) | E (mm)/(inch) |
| Value | 3.830/0.151 | 8.560/0.337 | 3.000/0.118 | 2.540/0.100 |

Suggested Pad Layout (Cont.)

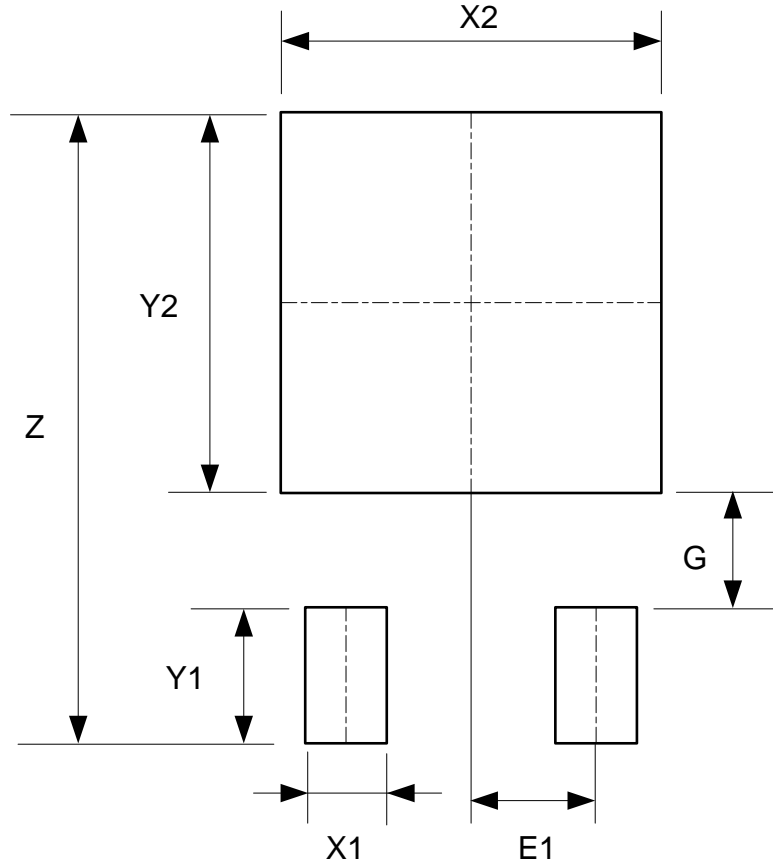
(2) Package Type: TO263-2



| | | | | |
|------------|-------------------|-------------------|-------------------|-------------------|
| Dimensions | Z (mm)/(inch) | X1 (mm)/(inch) | X2 (mm)/(inch) | X3 (mm)/(inch) |
| Value | 16.760/0.660 | 1.200/0.047 | 8.540/0.336 | 10.540/0.415 |
| Dimensions | Y1 (mm)/(inch) | Y2 (mm)/(inch) | Y3 (mm)/(inch) | E (mm)/(inch) |
| Value | 3.830/0.151 | 8.560/0.337 | 3.000/0.118 | 5.080/0.200 |

Suggested Pad Layout (Cont.)

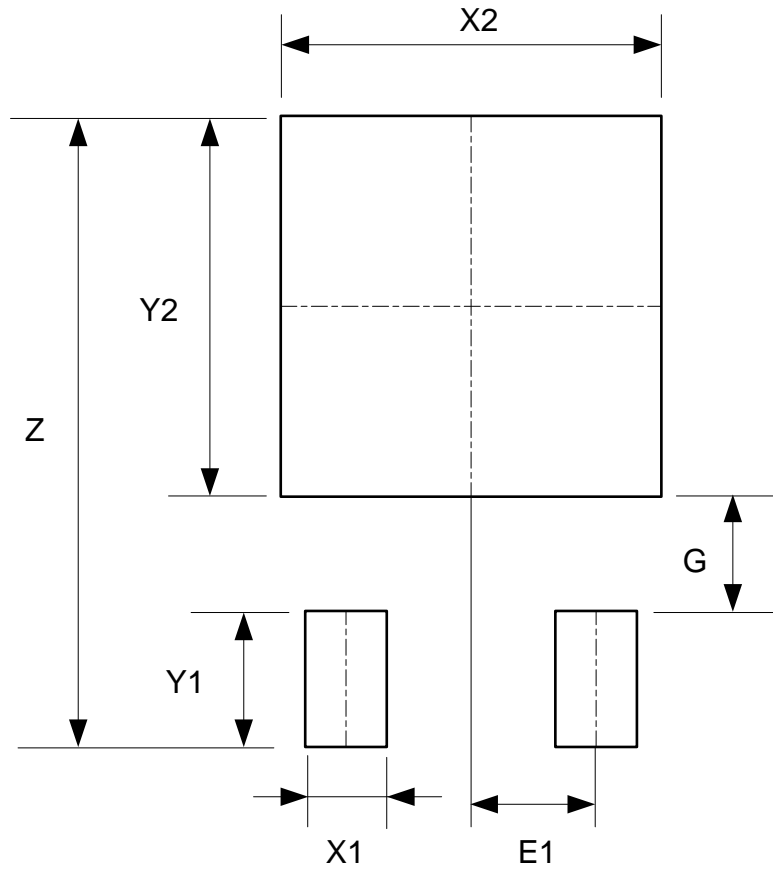
(3) Package Type: TO252-2 (3)



| Dimensions | Z (mm)/(inch) | X1 (mm)/(inch) | X2=Y2 (mm)/(inch) | Y1 (mm)/(inch) | G (mm)/(inch) | E1 (mm)/(inch) |
|------------|------------------|-------------------|----------------------|-------------------|------------------|-------------------|
| Value | 11.600/0.457 | 1.500/0.059 | 7.000/0.276 | 2.500/0.098 | 2.100/0.083 | 2.300/0.091 |

Suggested Pad Layout (Cont.)

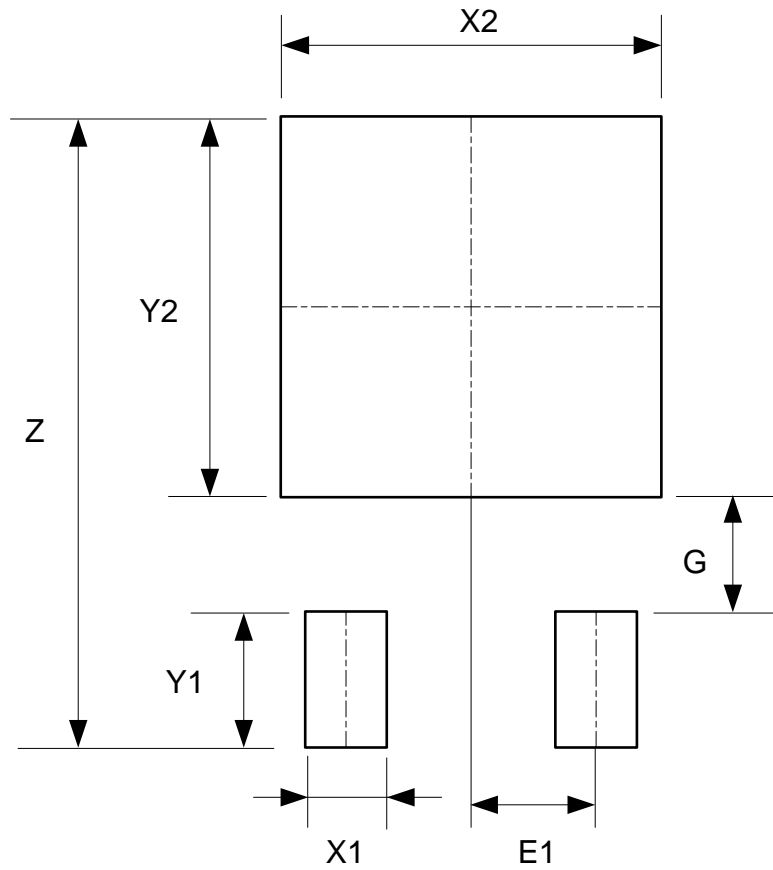
(4) Package Type: TO252-2 (4)



| Dimensions | Z (mm)/(inch) | X1 (mm)/(inch) | X2=Y2 (mm)/(inch) | Y1 (mm)/(inch) | G (mm)/(inch) | E1 (mm)/(inch) |
|------------|------------------|-------------------|----------------------|-------------------|------------------|-------------------|
| Value | 11.600/0.457 | 1.500/0.059 | 7.000/0.276 | 2.500/0.098 | 2.100/0.083 | 2.300/0.091 |

Suggested Pad Layout (Cont.)

(5) Package Type: TO252-2 (5)



| Dimensions | Z (mm)/(inch) | X1 (mm)/(inch) | X2=Y2 (mm)/(inch) | Y1 (mm)/(inch) | G (mm)/(inch) | E1 (mm)/(inch) |
|------------|------------------|-------------------|----------------------|-------------------|------------------|-------------------|
| Value | 11.600/0.457 | 1.500/0.059 | 7.000/0.276 | 2.500/0.098 | 2.100/0.083 | 2.300/0.091 |

IMPORTANT NOTICE

DIODES INCORPORATED MAKES NO WARRANTY OF ANY KIND, EXPRESS OR IMPLIED, WITH REGARDS TO THIS DOCUMENT, INCLUDING, BUT NOT LIMITED TO, THE IMPLIED WARRANTIES OF MERCHANTABILITY AND FITNESS FOR A PARTICULAR PURPOSE (AND THEIR EQUIVALENTS UNDER THE LAWS OF ANY JURISDICTION).

Diodes Incorporated and its subsidiaries reserve the right to make modifications, enhancements, improvements, corrections or other changes without further notice to this document and any product described herein. Diodes Incorporated does not assume any liability arising out of the application or use of this document or any product described herein; neither does Diodes Incorporated convey any license under its patent or trademark rights, nor the rights of others. Any Customer or user of this document or products described herein in such applications shall assume all risks of such use and will agree to hold Diodes Incorporated and all the companies whose products are represented on Diodes Incorporated website, harmless against all damages.

Diodes Incorporated does not warrant or accept any liability whatsoever in respect of any products purchased through unauthorized sales channel. Should Customers purchase or use Diodes Incorporated products for any unintended or unauthorized application, Customers shall indemnify and hold Diodes Incorporated and its representatives harmless against all claims, damages, expenses, and attorney fees arising out of, directly or indirectly, any claim of personal injury or death associated with such unintended or unauthorized application.

Products described herein may be covered by one or more United States, international or foreign patents pending. Product names and markings noted herein may also be covered by one or more United States, international or foreign trademarks.

This document is written in English but may be translated into multiple languages for reference. Only the English version of this document is the final and determinative format released by Diodes Incorporated.

LIFE SUPPORT

Diodes Incorporated products are specifically not authorized for use as critical components in life support devices or systems without the express written approval of the Chief Executive Officer of Diodes Incorporated. As used herein:

A. Life support devices or systems are devices or systems which:

1. are intended to implant into the body, or
2. support or sustain life and whose failure to perform when properly used in accordance with instructions for use provided in the labeling can be reasonably expected to result in significant injury to the user.

B. A critical component is any component in a life support device or system whose failure to perform can be reasonably expected to cause the failure of the life support device or to affect its safety or effectiveness.

Customers represent that they have all necessary expertise in the safety and regulatory ramifications of their life support devices or systems, and acknowledge and agree that they are solely responsible for all legal, regulatory and safety-related requirements concerning their products and any use of Diodes Incorporated products in such safety-critical, life support devices or systems, notwithstanding any devices- or systems-related information or support that may be provided by Diodes Incorporated. Further, Customers must fully indemnify Diodes Incorporated and its representatives against any damages arising out of the use of Diodes Incorporated products in such safety-critical, life support devices or systems.

Copyright © 2018, Diodes Incorporated

www.diodes.com

X-ON Electronics

Largest Supplier of Electrical and Electronic Components

Click to view similar products for [Linear Voltage Regulators](#) category:

Click to view products by [Diodes Incorporated](#) manufacturer:

Other Similar products are found below :

[LV56831P-E](#) [LV5684PVD-XH](#) [MCDTSA6-2R](#) [L4953G](#) [L7815ACV-DG](#) [PQ3DZ53U](#) [LV56801P-E](#) [TCR3DF13,LM\(CT](#)
[TCR3DF39,LM\(CT](#) [TLE42794G](#) [L78L05CZ/1SX](#) [L78LR05DL-MA-E](#) [L78MR05-E](#) [033150D](#) [033151B](#) [090756R](#) [636416C](#)
[NCV78M15BDTG](#) [702482B](#) [714954EB](#) [TLE42794GM](#) [TLE42994GM](#) [ZMR500QFTA](#) [BA033LBSG2-TR](#) [NCV78M05ABDTRKG](#)
[NCV78M08BDTRKG](#) [NCP7808TG](#) [NCV571SN12T1G](#) [LV5680P-E](#) [CAJ24C256YI-GT3](#) [L78M15CV-DG](#) [L9474N](#)
[TLS202B1MBV33HTSA1](#) [L79M05T-E](#) [NCP571SN09T1G](#) [MAX15006AASA/V+](#) [MIC5283-5.0YML-T5](#) [L4969URTR-E](#) [L78LR05D-MA-E](#)
[NCV7808BDTRKG](#) [L9466N](#) [NCP7805ETG](#) [SC7812CTG](#) [NCV7809BTG](#) [NCV571SN09T1G](#) [NCV317MBTG](#) [MC78M15CDTT5G](#)
[MC78M12CDTT5G](#) [L9468N](#) [LT1054IS8#TRPBF](#)