

**LOW DROPOUT LINEAR REGULATOR****AZ1117B****General Description**

The AZ1117B is a low dropout three-terminal regulator.

The AZ1117B has been optimized for low voltage where transient response and minimum input voltage are critical. It provides current limit and thermal shutdown. Its circuit includes a trimmed bandgap reference to assure output voltage accuracy to be within  $\pm 1\%$ . On-chip thermal shutdown provides protection against a combination of high current and ambient temperature that would create excessive junction temperature.

The AZ1117B is available in 1.2V, 1.5V, 1.8V, 2.5V, 3.3V, 5.0V fixed output voltage versions and ADJ output voltage version. The fixed versions integrate the adjust resistors. It is also available in an adjustable version which can set the output voltage with two external resistors.

The AZ1117B is available in the industry-standard TO-252-2 (1), TO-252-2 (2), TO-252-2 (3), SOT-223 and SOT-89 power packages.

**Features**

- Current Limit: 1.0A (Typ.)
- Output Noise from 10Hz to 10KHz: 0.003% of  $V_{OUT}$
- PSRR at  $I_{OUT}=300mA$  and  $f=120Hz$ : 70dB
- Output Voltage Accuracy:  $\pm 1\%$
- On-chip Thermal Shutdown
- Maximum Quiescent Current:  $I_{QMAX}=6mA$
- Operation Junction Temperature:  $-20$  to  $125^{\circ}C$

**Applications**

- USB Device
- Add-on Card
- DVD Player
- PC Motherboard

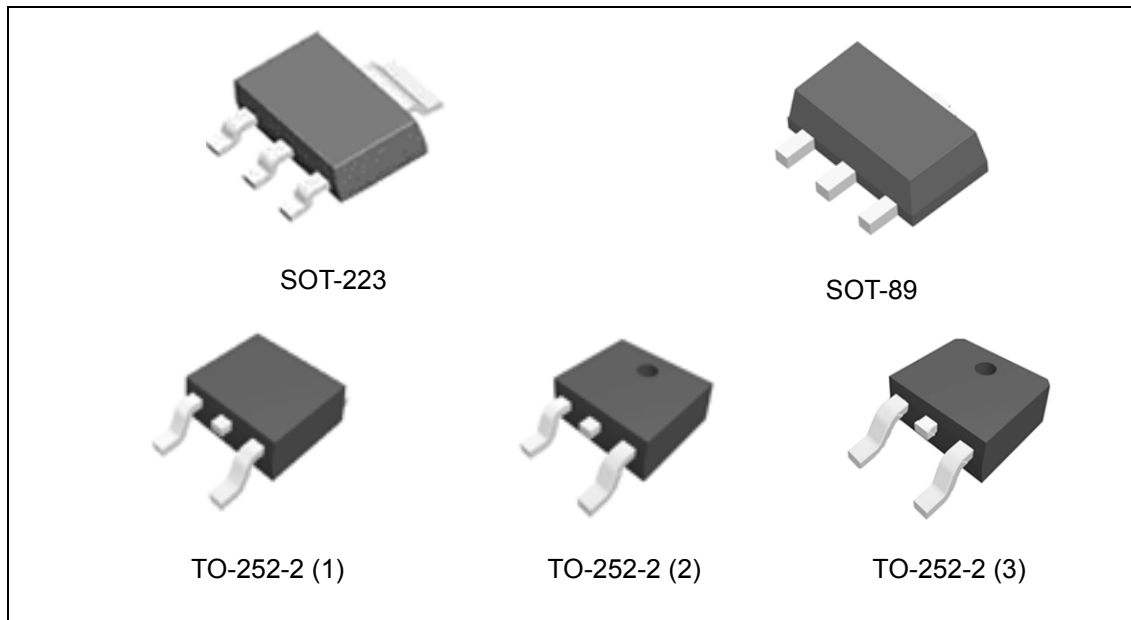


Figure 1. Package Type of AZ1117B

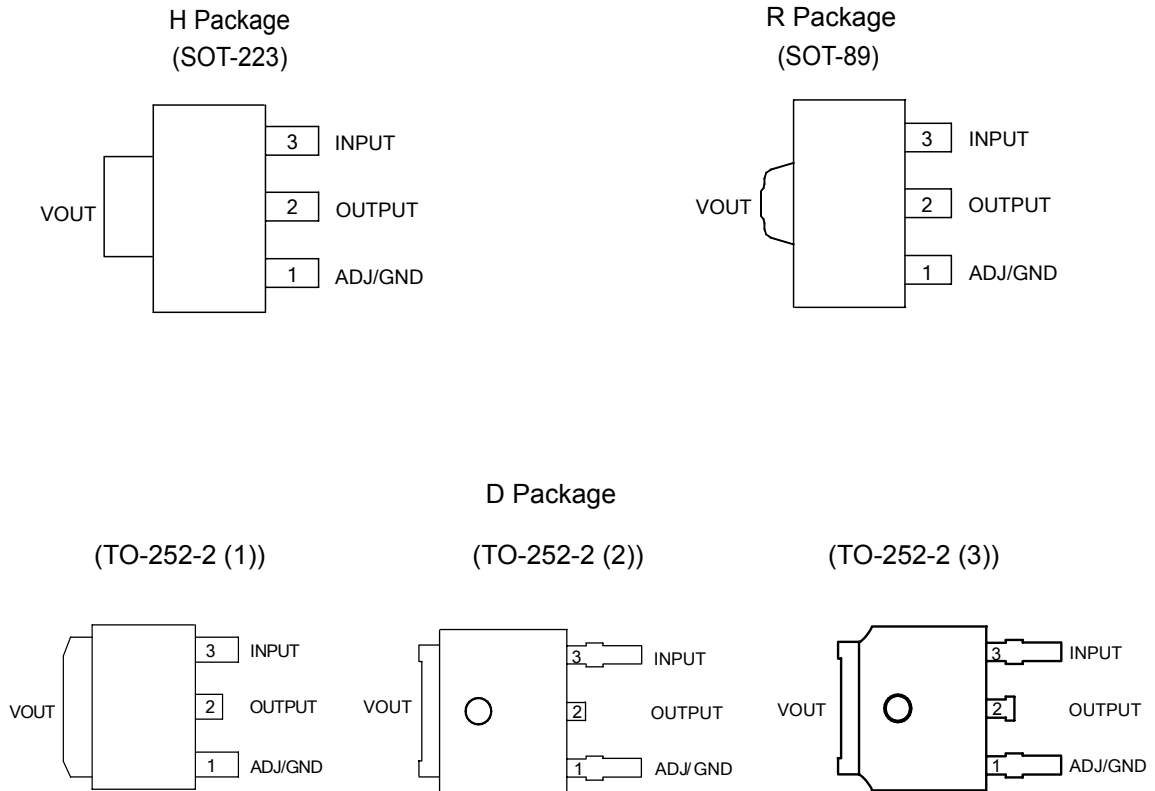
**LOW DROPOUT LINEAR REGULATOR****AZ1117B****Pin Configuration**

Figure 2. Pin Configuration of AZ1117B (Top View)

**LOW DROPOUT LINEAR REGULATOR**

**AZ1117B**

**Functional Block Diagram**

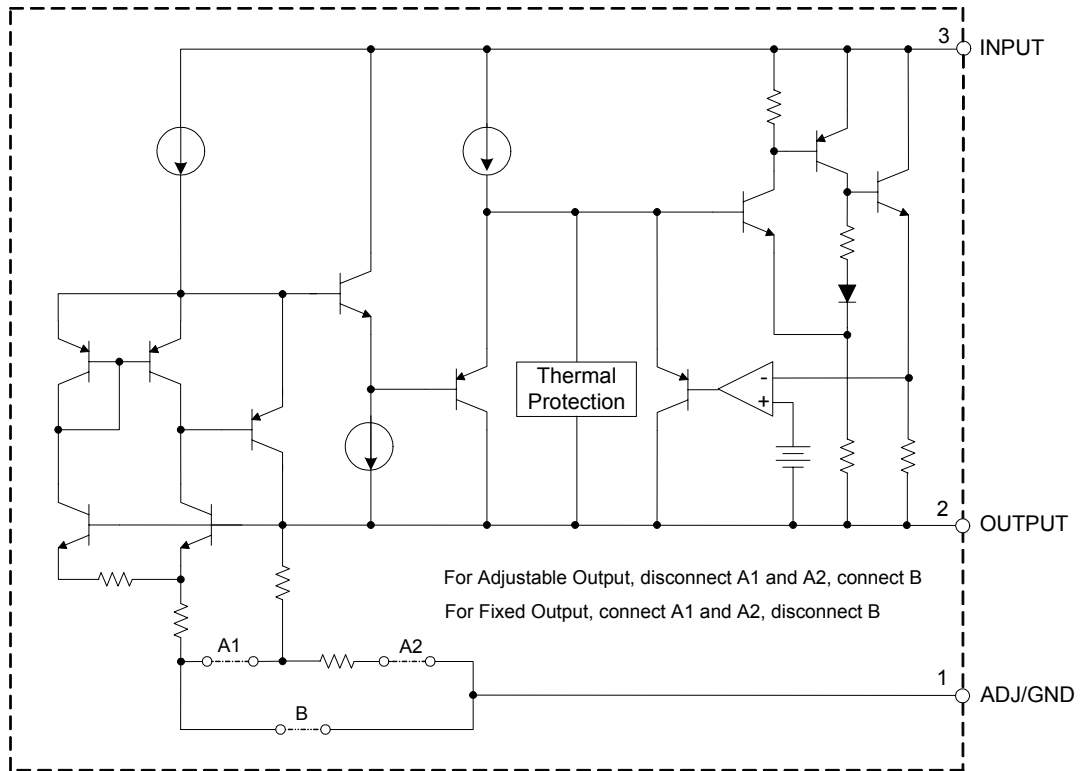


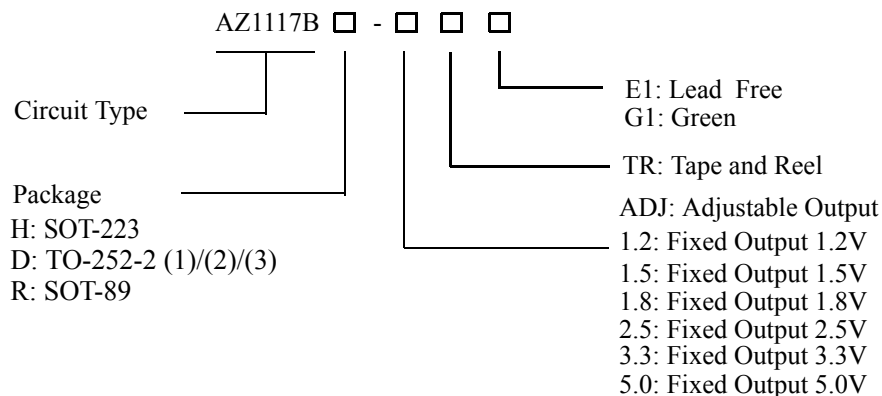
Figure 3. Functional Block Diagram of AZ1117B



**LOW DROPOUT LINEAR REGULATOR**

**AZ1117B**

**Ordering Information**



Package	Temperature Range	Part Number		Marking ID		Packing Type
		Lead Free	Green	Lead Free	Green	
SOT-223	-20 to 125°C	AZ1117BH-ADJTRE1	AZ1117H-ADJTRG1	EH17K	GH17K	Tape & Reel
		AZ1117BH-1.2TRE1	AZ1117H-1.2TRG1	EH17P	GH17P	Tape & Reel
		AZ1117BH-1.5TRE1	AZ1117H-1.5TRG1	EH17Q	GH17Q	Tape & Reel
		AZ1117BH-1.8TRE1	AZ1117H-1.8TRG1	EH17L	GH17L	Tape & Reel
		AZ1117BH-2.5TRE1	AZ1117H-2.5TRG1	EH17N	GH17N	Tape & Reel
		AZ1117BH-3.3TRE1	AZ1117H-3.3TRG1	EH17M	GH17M	Tape & Reel
		AZ1117BH-5.0TRE1	AZ1117H-5.0TRG1	EH17R	GH17R	Tape & Reel
TO-252-2 (1)/ TO-252-2 (2)/ TO-252-2 (3)	-20 to 125°C	AZ1117BD-ADJE1	AZ1117D-ADJG1	AZ1117BD-ADJE1	AZ1117D-ADJG1	Tube
		AZ1117BD-ADJTRE1	AZ1117D-ADJTRG1	AZ1117BD-ADJE1	AZ1117D-ADJG1	Tape & Reel
		AZ1117BD-1.2E1	AZ1117D-1.2G1	AZ1117BD-1.2E1	AZ1117D-1.2G1	Tube
		AZ1117BD-1.2TRE1	AZ1117D-1.2TRG1	AZ1117BD-1.2E1	AZ1117D-1.2G1	Tape & Reel
		AZ1117BD-1.5E1	AZ1117D-1.5G1	AZ1117BD-1.5E1	AZ1117D-1.5G1	Tube
		AZ1117BD-1.5TRE1	AZ1117D-1.5TRG1	AZ1117BD-1.5E1	AZ1117D-1.5G1	Tape & Reel
		AZ1117BD-1.8E1	AZ1117D-1.8G1	AZ1117BD-1.8E1	AZ1117D-1.8G1	Tube
		AZ1117BD-1.8TRE1	AZ1117D-1.8TRG1	AZ1117BD-1.8E1	AZ1117D-1.8G1	Tape & Reel
		AZ1117BD-2.5E1	AZ1117D-2.5G1	AZ1117BD-2.5E1	AZ1117D-2.5G1	Tube
		AZ1117BD-2.5TRE1	AZ1117D-2.5TRG1	AZ1117BD-2.5E1	AZ1117D-2.5G1	Tape & Reel
		AZ1117BD-3.3E1	AZ1117D-3.3G1	AZ1117BD-3.3E1	AZ1117D-3.3G1	Tube
		AZ1117BD-3.3TRE1	AZ1117D-3.3TRG1	AZ1117BD-3.3E1	AZ1117D-3.3G1	Tape & Reel
		AZ1117BD-5.0E1	AZ1117D-5.0G1	AZ1117BD-5.0E1	AZ1117D-5.0G1	Tube
		AZ1117BD-5.0TRE1	AZ1117D-5.0TRG1	AZ1117BD-5.0E1	AZ1117D-5.0G1	Tape & Reel

**LOW DROPOUT LINEAR REGULATOR****AZ1117B****Ordering Information (Continued)**

Package	Temperature Range	Part Number		Marking ID		Packing Type
		Lead Free	Green	Lead Free	Green	
SOT-89	-20 to 125°C	AZ1117BR-ADJTRE1	AZ1117R-ADJTRG1	E31F	G31F	Tape & Reel
		AZ1117BR-1.2TRE1	AZ1117R-1.2TRG1	E31G	G31G	Tape & Reel
		AZ1117BR-1.5TRE1	AZ1117R-1.5TRG1	E31H	G31H	Tape & Reel
		AZ1117BR-1.8TRE1	AZ1117R-1.8TRG1	E31J	G31J	Tape & Reel
		AZ1117BR-2.5TRE1	AZ1117R-2.5TRG1	E31K	G31K	Tape & Reel
		AZ1117BR-3.3TRE1	AZ1117R-3.3TRG1	E31L	G31L	Tape & Reel
		AZ1117BR-5.0TRE1	AZ1117R-5.0TRG1	E31M	G31M	Tape & Reel

BCD Semiconductor's Pb-free products, as designated with "E1" suffix in the part number, are RoHS compliant. Products with "G1" suffix are available in green packages.

**LOW DROPOUT LINEAR REGULATOR****AZ1117B****Absolute Maximum Ratings (Note 1)**

Parameter	Symbol	Value		Unit
Input Voltage	$V_{IN}$	18		V
Operating Junction Temperature Range	$T_J$	150		°C
Storage Temperature Range	$T_{STG}$	-65 to 150		°C
Thermal Resistance (No Heatsink)	$\theta_{JA}$	SOT-223	150	°C/W
		TO-252-2(1)/TO-252-2(2) TO-252-2(3)	128	
		SOT-89	210	
Lead Temperature (Soldering, 10sec)	$T_{LEAD}$	260		°C

Note 1: Stresses greater than those listed under "Absolute Maximum Ratings" may cause permanent damage to the device. These are stress ratings only, and functional operation of the device at these or any other conditions beyond those indicated under "Recommended Operating Conditions" is not implied. Exposure to "Absolute Maximum Ratings" for extended periods may affect device reliability.

**Recommended Operating Conditions**

Parameter	Symbol	Min	Max	Unit
Input Voltage	$V_{IN}$		15	V
Operating Junction Temperature Range	$T_J$	-20	125	°C



**LOW DROPOUT LINEAR REGULATOR**

**AZ1117B**

**Electrical Characteristics**

**AZ1117B-ADJ Electrical Characteristics**

Operating Conditions:  $V_{IN}=V_{OUT}+2V$ ,  $I_{OUT}=10mA$ ,  $T_J=25^{\circ}C$ , unless otherwise specified. ( $P \leq$  maximum power dissipation).

Limits appearing in **Boldface** type apply over the entire junction temperature range for operation,  $-20^{\circ}C$  to  $125^{\circ}C$ .

Parameter	Symbol	Conditions	Min	Typ	Max	Uni	
Reference Voltage	$V_{REF}$		1.238	1.250	1.262	V	
		$1.5V \leq V_{IN} - V_{OUT} \leq 10V$	<b>1.225</b>	1.250	<b>1.270</b>		
Line Regulation	$V_{RLINE}$	$1.5V \leq V_{IN} - V_{OUT} \leq 10V$		0.001	0.1	%	
					<b>0.2</b>		
Load Regulation	$V_{RLOAD}$			0.4	1.0	%	
Dropout Voltage	$V_{DROP}$	$\Delta V_{REF}=1\%$ , $I_{OUT}=0.8A$	SOT-223		1.2	<b>1.3</b>	V
			TO-252-2(1)/(2)/(3)		1.4		
			SOT-89		1.2		
Current Limit	$I_{LIMIT}$		0.85	1	1.15	A	
Adjust Pin Current				60	<b>120</b>	$\mu A$	
Adjust Pin Current Change		$1.5V \leq (V_{IN} - V_{OUT}) \leq 10V$		0.2	<b>5</b>	$\mu A$	
Minimum Load Current		$1.5V \leq (V_{IN} - V_{OUT}) \leq 10V$		1.7	<b>5</b>	mA	
Ripple Rejection	PSRR	$f=120Hz$ , $C_{OUT}=22\mu F$ $(V_{IN} - V_{OUT})=3V$ , $I_{OUT}=300mA$		70		dB	
Temperature Stability				0.5		%	
RMS Output Noise (% of $V_{OUT}$ )		$T_A=25^{\circ}C$ , $10Hz \leq f \leq 10KHz$		0.003		%	
Thermal Shutdown		Junction Temperature		160		$^{\circ}C$	
Thermal Shutdown Hysteresis				16		$^{\circ}C$	
Thermal Resistance	$\theta_{JC}$	SOT-223		33		$^{\circ}C/W$	
		TO-252-2 (1)/TO-252-2 (2)/TO-252-2 (3)		22			
		SOT-89		39			



**LOW DROPOUT LINEAR REGULATOR**

**AZ1117B**

**Electrical Characteristics (Continued)**

**AZ1117B-1.2 Electrical Characteristics**

Operating Conditions:  $V_{IN} \leq 10V$ ,  $I_{OUT} = 10mA$ ,  $T_J = 25^\circ C$ , unless otherwise specified. ( $P \leq$  maximum power dissipation). Limits appearing in **Boldface** type apply over the entire junction temperature range for operation,  $-20^\circ C$  to  $125^\circ C$ .

Parameter	Symbol	Conditions	Min	Typ	Max	Unit	
Output Voltage	$V_{OUT}$		1.176	1.2	1.224	V	
		$3.2V \leq V_{IN} \leq 10V$	<b>1.152</b>	1.2	<b>1.228</b>		
Line Regulation	$V_{RLINE}$	$1.5V \leq V_{IN} - V_{OUT} \leq 10V$		0.5	6	mV	
					<b>10</b>		
Load Regulation	$V_{RLOAD}$			2	15	mV	
Dropout Voltage	$V_{DROP}$	$\Delta V_{OUT} = 1\%$ , $I_{OUT} = 0.8A$	SOT-223		1.2	<b>1.3</b>	V
			TO-252-2(1)/(2)/(3)		1.4		
			SOT-89		1.2		
Current Limit	$I_{LIMIT}$		0.85	1	1.15	A	
Quiescent Current	$I_Q$	$I_{OUT} = 0$		4	<b>6</b>	mA	
Ripple Rejection	PSRR	$f = 120Hz$ , $C_{OUT} = 22\mu F$ $(V_{IN} - V_{OUT}) = 3V$ , $I_{OUT} = 300mA$		70		dB	
Temperature Stability				0.5		%	
RMS Output Noise (% of $V_{OUT}$ )		$T_A = 25^\circ C$ , $10Hz \leq f \leq 10KHz$		0.003		%	
Thermal Shutdown		Junction Temperature		160		$^\circ C$	
Thermal Shutdown Hysteresis				16		$^\circ C$	
Thermal Resistance	$\theta_{JC}$	SOT-223		33		$^\circ C/W$	
		TO-252-2 (1)/TO-252-2 (2)/TO-252-2 (3)		22			
		SOT-89		39			





**LOW DROPOUT LINEAR REGULATOR**

**AZ1117B**

**Electrical Characteristics (Continued)**

**AZ1117B-1.5 Electrical Characteristics**

Operating Conditions:  $V_{IN} \leq 10V$ ,  $I_{OUT} = 10mA$ ,  $T_J = 25^\circ C$ , unless otherwise specified. ( $P \leq$  maximum power dissipation). Limits appearing in **Boldface** type apply over the entire junction temperature range for operation,  $-20^\circ C$  to  $125^\circ C$ .

Parameter	Symbol	Conditions	Min	Typ	Max	Unit	
Output Voltage	$V_{OUT}$		1.485	1.5	1.515	V	
		$3.5V \leq V_{IN} \leq 10V$	<b>1.470</b>	1.5	<b>1.530</b>		
Line Regulation	$V_{RLINE}$	$1.5V \leq V_{IN} - V_{OUT} \leq 10V$		0.5	6	mV	
					<b>10</b>		
Load Regulation	$V_{RLOAD}$			2	15	mV	
Dropout Voltage	$V_{DROP}$	$\Delta V_{OUT} = 1\%$ , $I_{OUT} = 0.8A$	SOT-223		1.2	<b>1.3</b>	V
			TO-252-2(1)/(2)/(3)		1.4		
			SOT-89		1.2		
Current Limit	$I_{LIMIT}$		0.85	1	1.15	A	
Quiescent Current	$I_Q$	$I_{OUT} = 0$		4	<b>6</b>	mA	
Ripple Rejection	PSRR	$f = 120Hz$ , $C_{OUT} = 22\mu F$ $(V_{IN} - V_{OUT}) = 3V$ , $I_{OUT} = 300mA$		70		dB	
Temperature Stability				0.5		%	
RMS Output Noise (% of $V_{OUT}$ )		$T_A = 25^\circ C$ , $10Hz \leq f \leq 10KHz$		0.003		%	
Thermal Shutdown		Junction Temperature		160		$^\circ C$	
Thermal Shutdown Hysteresis				16		$^\circ C$	
Thermal Resistance	$\theta_{JC}$	SOT-223		33		$^\circ C/W$	
		TO-252-2 (1)/TO-252-2 (2)/TO-252-2 (3)		22			
		SOT-89		39			



**LOW DROPOUT LINEAR REGULATOR**

**AZ1117B**

**Electrical Characteristics (Continued)**

**AZ1117B-1.8 Electrical Characteristics**

Operating Conditions:  $V_{IN} \leq 10V$ ,  $I_{OUT} = 10mA$ ,  $T_J = 25^\circ C$ , unless otherwise specified. ( $P \leq$  maximum power dissipation). Limits appearing in **Boldface** type apply over the entire junction temperature range for operation,  $-20^\circ C$  to  $125^\circ C$ .

Parameter	Symbol	Conditions	Min	Typ	Max	Unit	
Output Voltage	$V_{OUT}$		1.782	1.8	1.818	V	
		$3.8V \leq V_{IN} \leq 10V$	<b>1.764</b>	1.8	<b>1.836</b>		
Line Regulation	$V_{RLINE}$	$1.5V \leq V_{IN} - V_{OUT} \leq 10V$		0.5	6	mV	
					<b>10</b>		
Load Regulation	$V_{RLOAD}$			2	15	mV	
Dropout Voltage	$V_{DROP}$	$\Delta V_{OUT} = 1\%$ , $I_{OUT} = 0.8A$	SOT-223		1.2	<b>1.3</b>	V
			TO-252-2(1)/(2)/(3)		1.4		
			SOT-89		1.2		
Current Limit	$I_{LIMIT}$		0.85	1	1.15	A	
Quiescent Current	$I_Q$	$I_{OUT} = 0$		4	<b>6</b>	mA	
Ripple Rejection	PSRR	$f = 120Hz$ , $C_{OUT} = 22\mu F$ $(V_{IN} - V_{OUT}) = 3V$ , $I_{OUT} = 300mA$		70		dB	
Temperature Stability				0.5		%	
RMS Output Noise (% of $V_{OUT}$ )		$T_A = 25^\circ C$ , $10Hz \leq f \leq 10KHz$		0.003		%	
Thermal Shutdown		Junction Temperature		160		$^\circ C$	
Thermal Shutdown Hysteresis				16		$^\circ C$	
Thermal Resistance	$\theta_{JC}$	SOT-223		33		$^\circ C/W$	
		TO-252-2 (1)/TO-252-2 (2)/TO-252-2 (3)		22			
		SOT-89		39			



**LOW DROPOUT LINEAR REGULATOR** **AZ1117B**

**Electrical Characteristics (Continued)**

**AZ1117B-2.5 Electrical Characteristics**

Operating Conditions:  $V_{IN} \leq 10V$ ,  $I_{OUT} = 10mA$ ,  $T_J = 25^\circ C$ , unless otherwise specified. ( $P \leq$  maximum power dissipation). Limits appearing in **Boldface** type apply over the entire junction temperature range for operation,  $-20^\circ C$  to  $125^\circ C$ .

Parameter	Symbol	Conditions	Min	Typ	Max	Unit	
Output Voltage	$V_{OUT}$		2.475	2.5	2.525	V	
		$4.5V \leq V_{IN} \leq 10V$	<b>2.455</b>	<b>2.5</b>	<b>2.545</b>		
Line Regulation	$V_{RLINE}$	$1.5V \leq V_{IN} - V_{OUT} \leq 10V$		0.5	6	mV	
					<b>10</b>		
Load Regulation	$V_{RLOAD}$			2	15	mV	
Dropout Voltage	$V_{DROP}$	$\Delta V_{OUT} = 1\%$ , $I_{OUT} = 0.8A$	SOT-223		1.2	<b>1.3</b>	V
			TO-252-2(1)/(2)/(3)		1.4		
			SOT-89		1.2		
Current Limit	$I_{LIMIT}$		0.85	1	1.15	A	
Quiescent Current	$I_Q$	$I_{OUT} = 0$		4	<b>6</b>	mA	
Ripple Rejection	PSRR	$f = 120Hz$ , $C_{OUT} = 22\mu F$ $(V_{IN} - V_{OUT}) = 3V$ , $I_{OUT} = 300mA$		70		dB	
Temperature Stability				0.5		%	
RMS Output Noise (% of $V_{OUT}$ )		$T_A = 25^\circ C$ , $10Hz \leq f \leq 10KHz$		0.003		%	
Thermal Shutdown		Junction Temperature		160		$^\circ C$	
Thermal Shutdown Hysteresis				16		$^\circ C$	
Thermal Resistance	$\theta_{JC}$	SOT-223		33		$^\circ C/W$	
		TO-252-2 (1)/TO-252-2 (2)/TO-252-2 (3)		22			
		SOT-89		39			



**LOW DROPOUT LINEAR REGULATOR**

**AZ1117B**

**Electrical Characteristics (Continued)**

**AZ1117B-3.3 Electrical Characteristics**

Operating Conditions:  $V_{IN} \leq 10V$ ,  $I_{OUT} = 10mA$ ,  $T_J = 25^\circ C$ , unless otherwise specified. ( $P \leq$  maximum power dissipation). Limits appearing in **Boldface** type apply over the entire junction temperature range for operation,  $-20^\circ C$  to  $125^\circ C$ .

Parameter	Symbol	Conditions	Min	Typ	Max	Unit	
Output Voltage	$V_{OUT}$		3.267	3.3	3.333	V	
		$5.3V \leq V_{IN} \leq 10V$	<b>3.235</b>	3.3	<b>3.365</b>		
Line Regulation	$V_{RLINE}$	$1.5V \leq V_{IN} - V_{OUT} \leq 10V$		0.5	6	mV	
					<b>10</b>		
Load Regulation	$V_{RLOAD}$			2	15	mV	
Dropout Voltage	$V_{DROP}$	$\Delta V_{OUT} = 1\%$ , $I_{OUT} = 0.8A$	SOT-223		1.2	<b>1.3</b>	V
			TO-252-2(1)/(2)/(3)		1.4		
			SOT-89		1.2		
Current Limit	$I_{LIMIT}$		0.85	1	1.15	A	
Quiescent Current	$I_Q$	$I_{OUT} = 0$		4	<b>6</b>	mA	
Ripple Rejection	PSRR	$f = 120Hz$ , $C_{OUT} = 22\mu F$ $(V_{IN} - V_{OUT}) = 3V$ , $I_{OUT} = 300mA$		70		dB	
Temperature Stability				0.5		%	
RMS Output Noise (% of $V_{OUT}$ )		$T_A = 25^\circ C$ , $10Hz \leq f \leq 10KHz$		0.003		%	
Thermal Shutdown		Junction Temperature		160		$^\circ C$	
Thermal Shutdown Hysteresis				16		$^\circ C$	
Thermal Resistance	$\theta_{JC}$	SOT-223		33		$^\circ C/W$	
		TO-252-2 (1)/TO-252-2 (2)/TO-252-2 (3)		22			
		SOT-89		39			



**LOW DROPOUT LINEAR REGULATOR**

**AZ1117B**

**Electrical Characteristics (Continued)**

**AZ1117B-5.0 Electrical Characteristics**

Operating Conditions:  $V_{IN} \leq 10V$ ,  $I_{OUT} = 10mA$ ,  $T_J = 25^\circ C$ , unless otherwise specified. ( $P \leq$  maximum power dissipation). Limits appearing in **Boldface** type apply over the entire junction temperature range for operation,  $-20^\circ C$  to  $125^\circ C$ .

Parameter	Symbol	Conditions	Min	Typ	Max	Unit	
Output Voltage	$V_{OUT}$		4.950	5.0	5.050	V	
		$6.5V \leq V_{IN} \leq 10V$	<b>4.900</b>	5.0	<b>5.100</b>		
Line Regulation	$V_{RLINE}$	$1.5V \leq V_{IN} - V_{OUT} \leq 10V$		0.5	6	mV	
					<b>10</b>		
Load Regulation	$V_{RLOAD}$			2	15	mV	
Dropout Voltage	$V_{DROP}$	$\Delta V_{OUT} = 1\%$ , $I_{OUT} = 0.8A$	SOT-223		1.2	<b>1.3</b>	V
			TO-252-2(1)/(2)/(3)		1.4		
			SOT-89		1.2		
Current Limit	$I_{LIMIT}$		0.85	1	1.15	A	
Quiescent Current	$I_Q$	$I_{OUT} = 0$		4	<b>6</b>	mA	
Ripple Rejection	PSRR	$f = 120Hz$ , $C_{OUT} = 22\mu F$ $(V_{IN} - V_{OUT}) = 3V$ , $I_{OUT} = 300mA$		70		dB	
Temperature Stability				0.5		%	
RMS Output Noise (% of $V_{OUT}$ )		$T_A = 25^\circ C$ , $10Hz \leq f \leq 10KHz$		0.003		%	
Thermal Shutdown		Junction Temperature		160		$^\circ C$	
Thermal Shutdown Hysteresis				16		$^\circ C$	
Thermal Resistance	$\theta_{JC}$	SOT-223		33		$^\circ C/W$	
		TO-252-2 (1)/TO-252-2 (2)/TO-252-2 (3)		22			
		SOT-89		39			



**LOW DROPOUT LINEAR REGULATOR**

**AZ1117B**

**Typical Performance Characteristics**

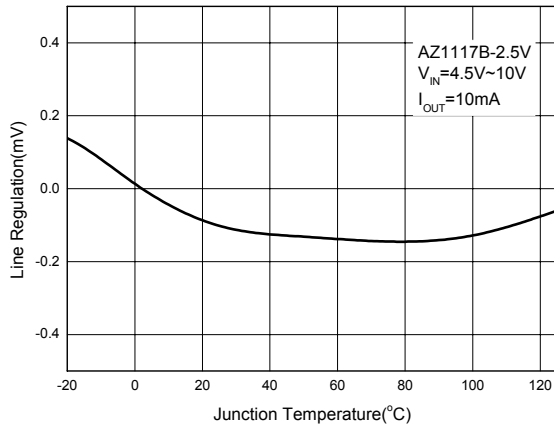


Figure 4. Line Regulation vs. Junction Temperature

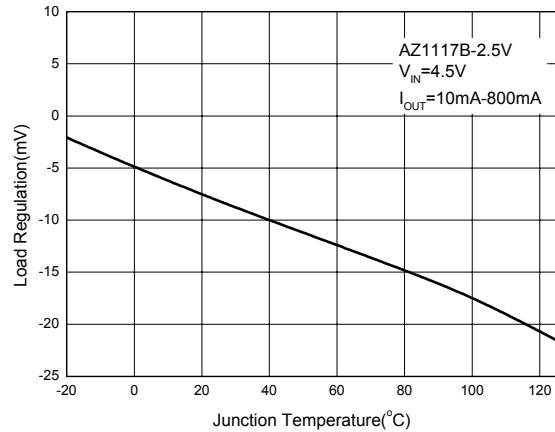


Figure 5. Load Regulation vs. Junction Temperature

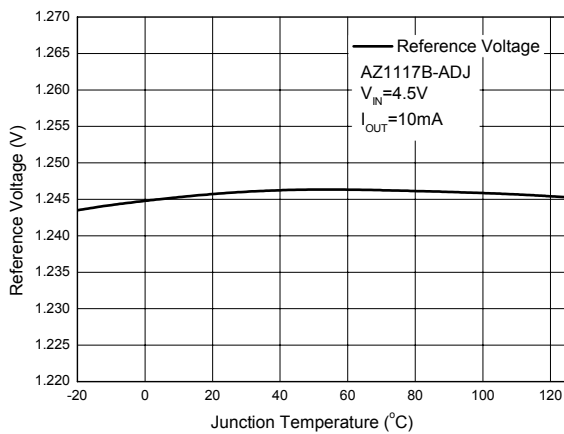


Figure 6. Reference Voltage vs. Junction Temperature

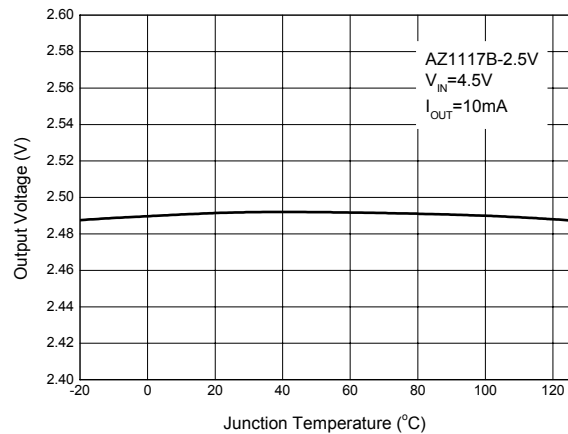


Figure 7. Output Voltage vs. Junction Temperature



**LOW DROPOUT LINEAR REGULATOR**

**AZ1117B**

**Typical Performance Characteristics (Continued)**

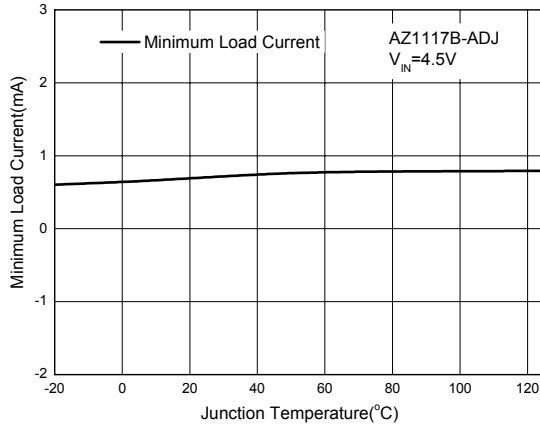


Figure 8. Minimum Load Current vs. Junction Temperature

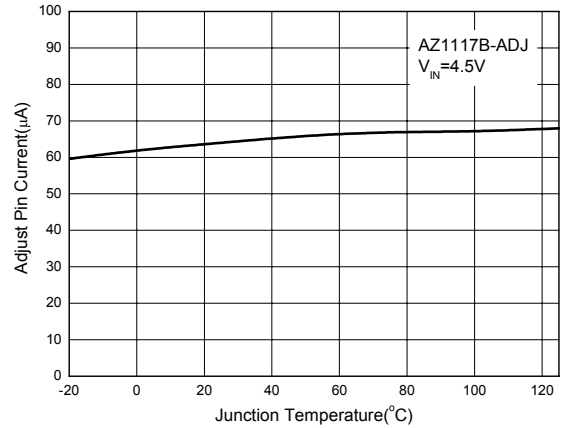


Figure 9. Adjust Pin Current vs. Junction Temperature

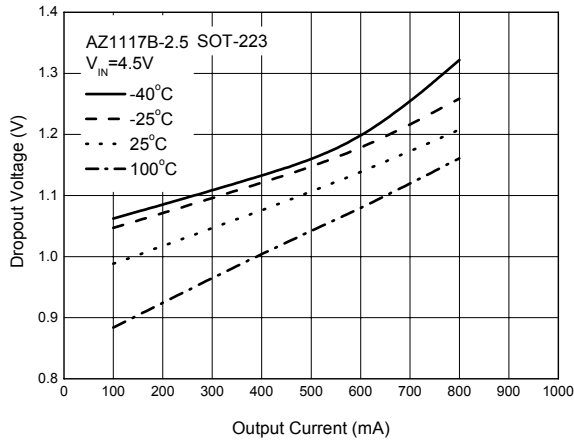


Figure 10. Dropout Voltage vs. Output Current

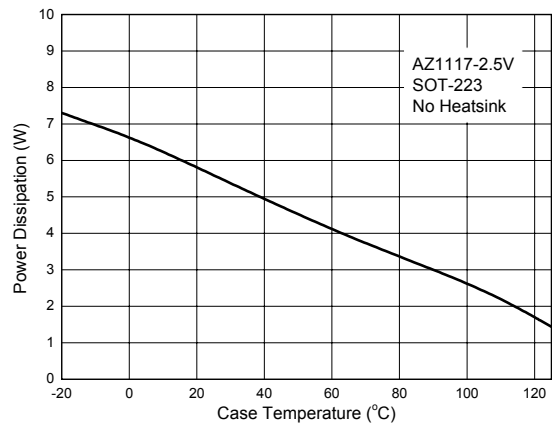


Figure 11. Power Dissipation vs. Case Temperature



**LOW DROPOUT LINEAR REGULATOR**

**AZ1117B**

**Typical Performance Characteristics (Continued)**

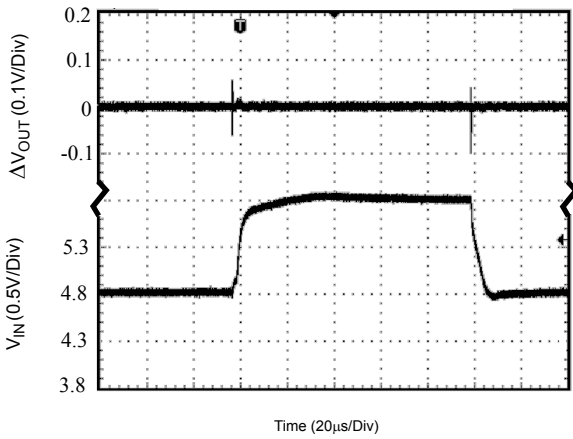


Figure 12. Line Transient Response

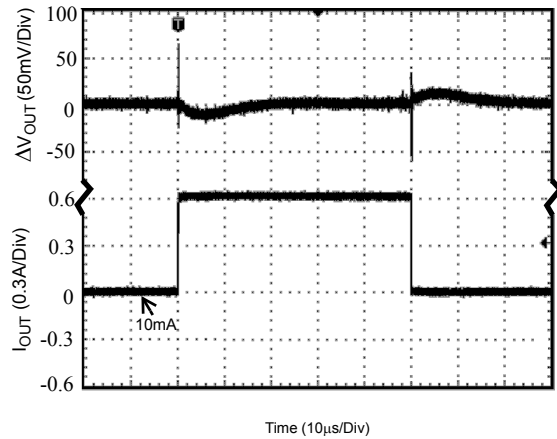


Figure 13. Load Transient Response

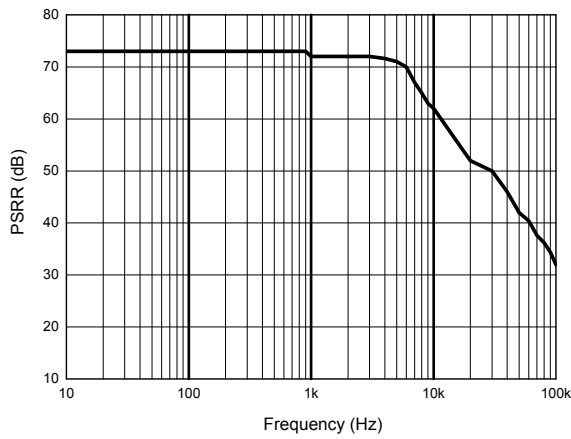


Figure 14. PSRR vs. Frequency

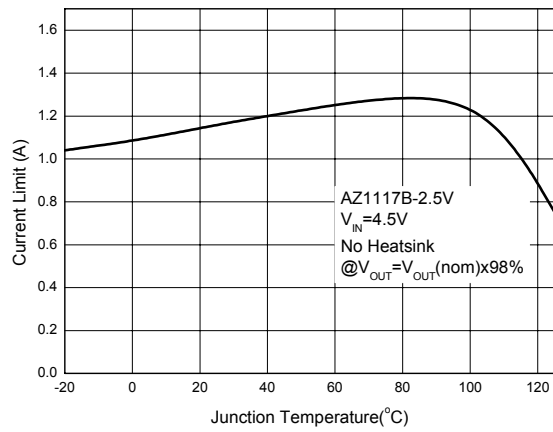


Figure 15. Current Limit vs. Junction Temperature





**LOW DROPOUT LINEAR REGULATOR** **AZ1117B**

**Typical Performance Characteristics (Continued)**

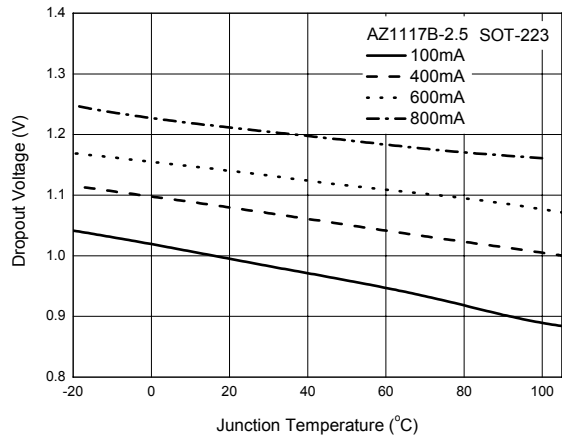


Figure 16. Dropout Voltage vs. Junction Temperature

**LOW DROPOUT LINEAR REGULATOR**

**AZ1117B**

**Typical Applications**

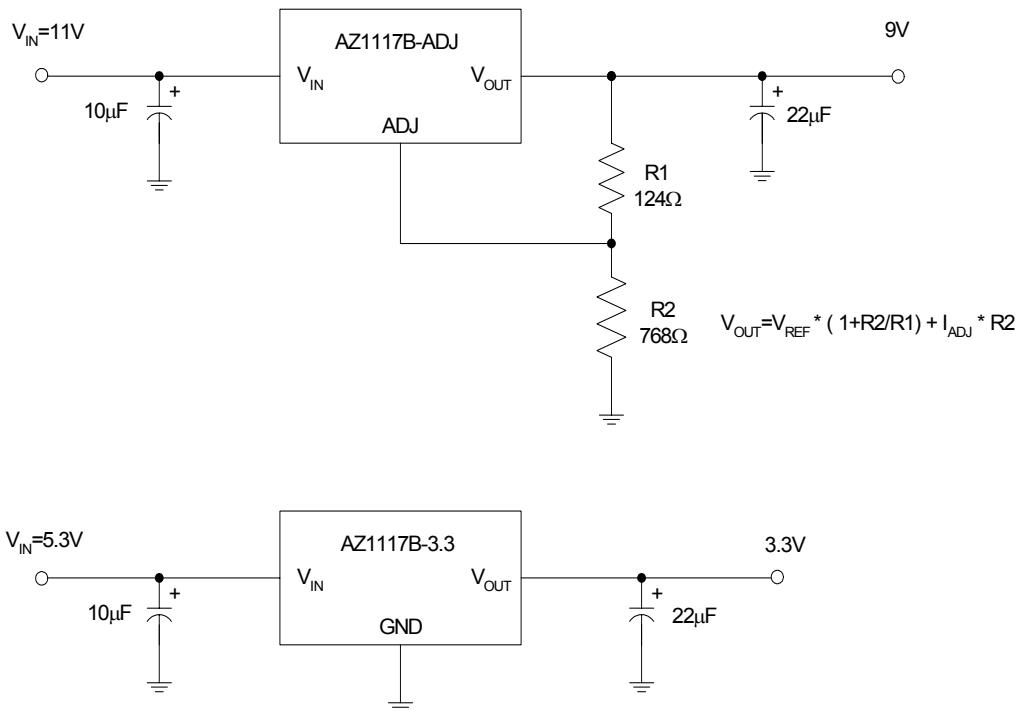


Figure 17. Typical Applications of AZ1117B



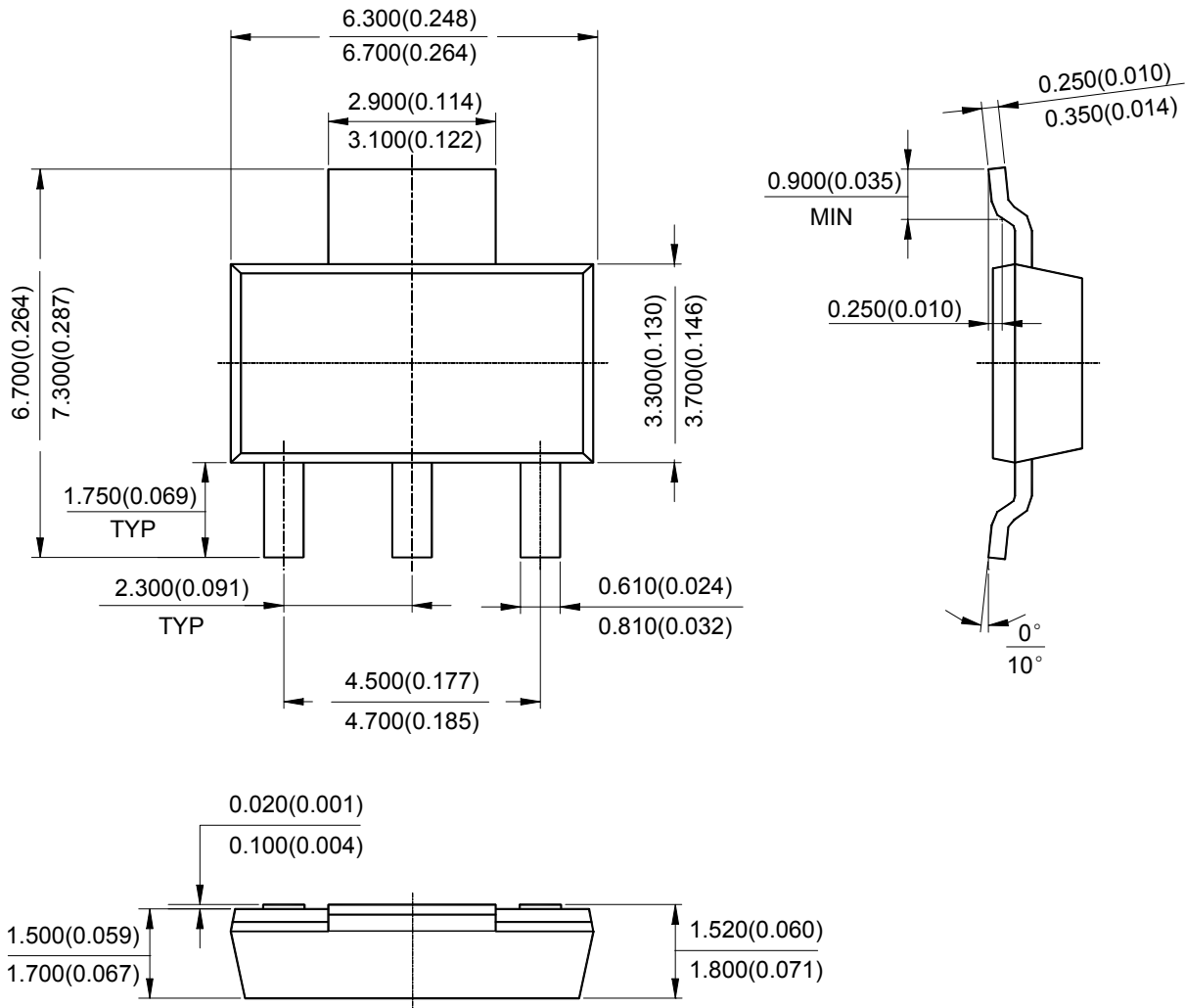
**LOW DROPOUT LINEAR REGULATOR**

**AZ1117B**

**Mechanical Dimensions**

**SOT-223**

**Unit: mm(inch)**





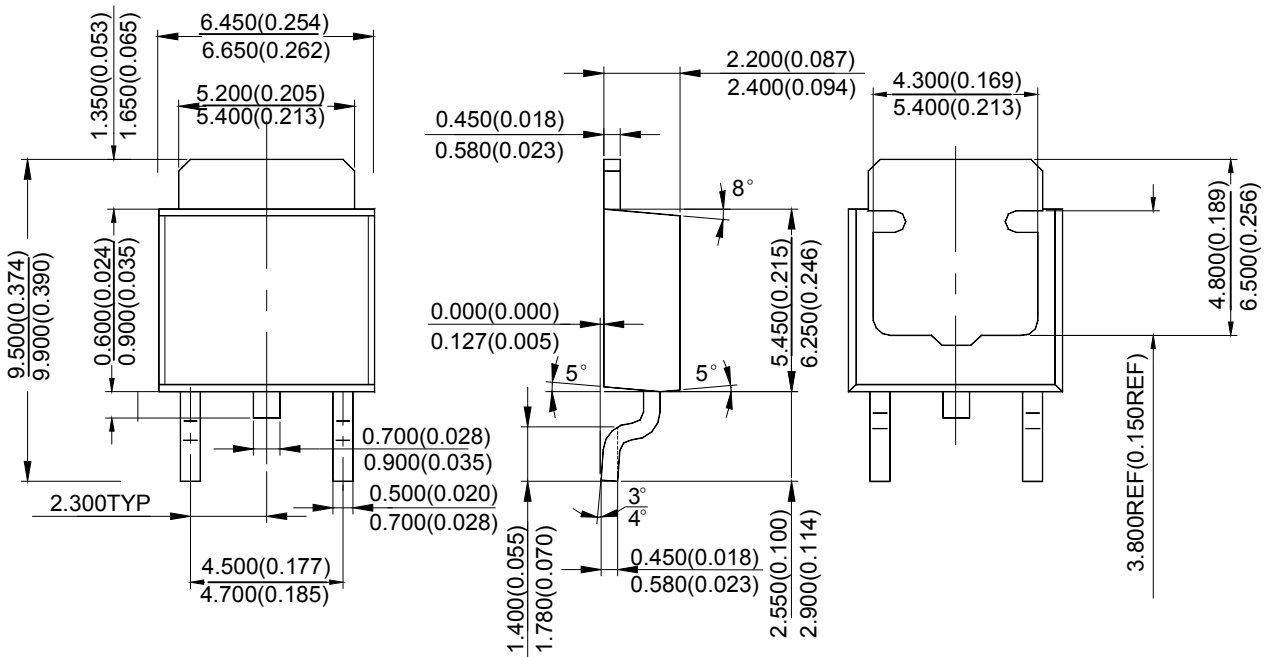
**LOW DROPOUT LINEAR REGULATOR**

**AZ1117B**

**Mechanical Dimensions (Continued)**

**TO-252-2 (1)**

**Unit: mm(inch)**





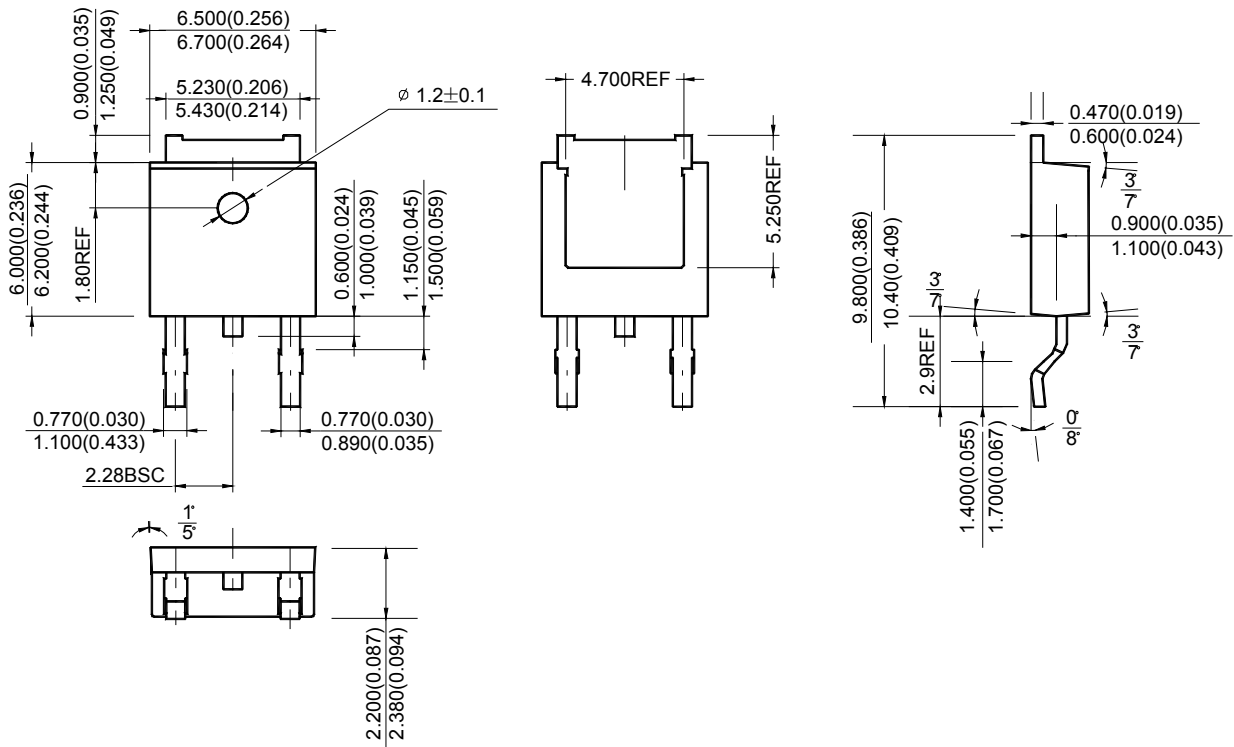
**LOW DROPOUT LINEAR REGULATOR**

**AZ1117B**

**Mechanical Dimensions (Continued)**

**TO-252-2 (2)**

**Unit: mm(inch)**





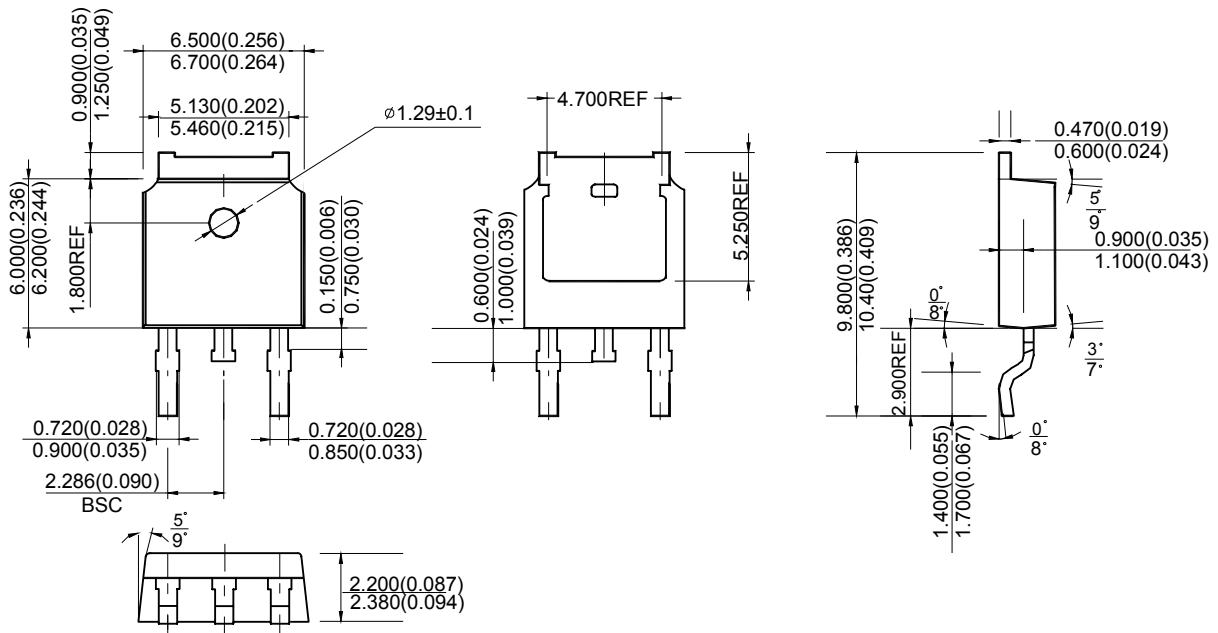
**LOW DROPOUT LINEAR REGULATOR**

**AZ1117B**

**Mechanical Dimensions (Continued)**

**TO-252-2 (3)**

**Unit: mm(inch)**





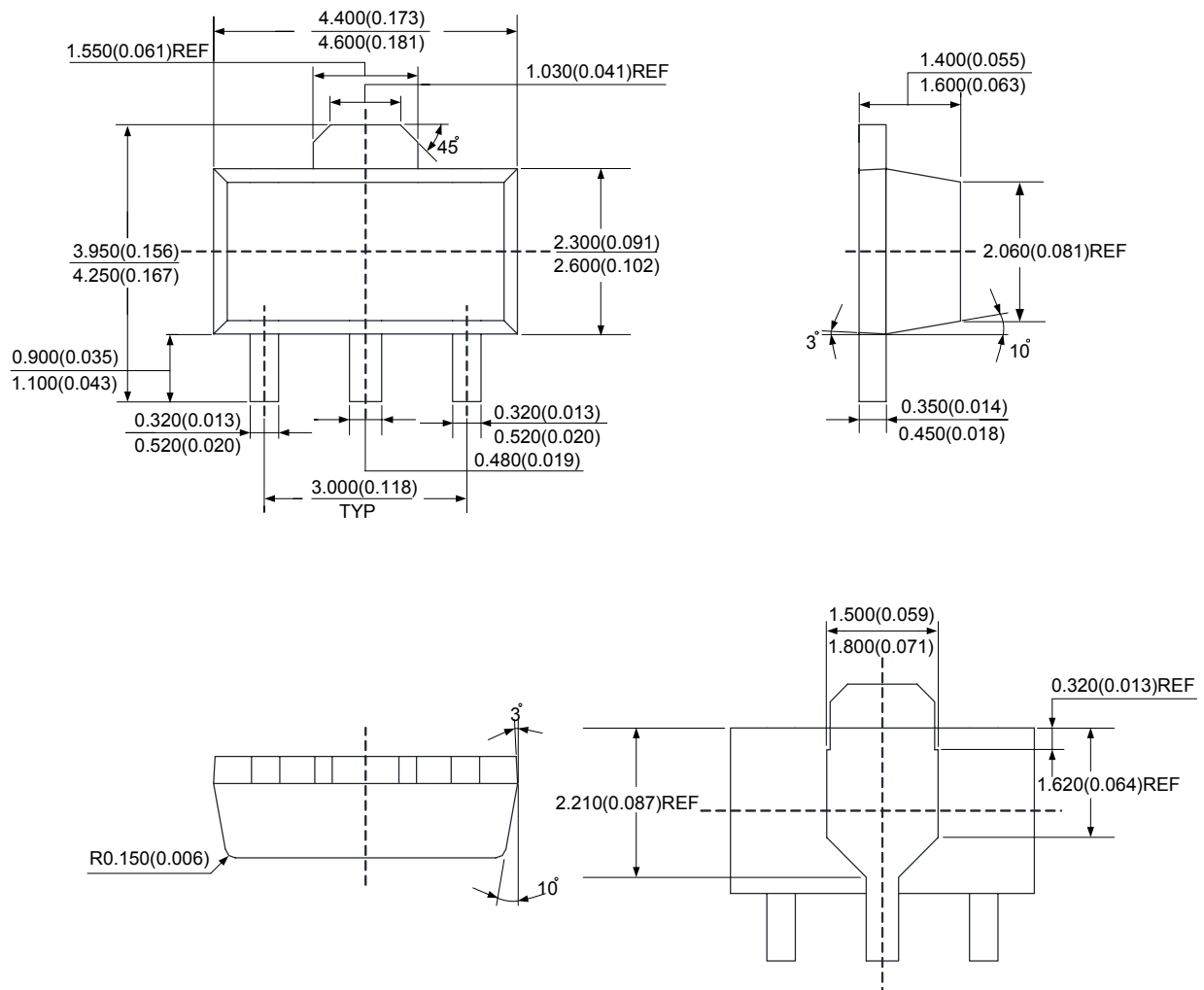
**LOW DROPOUT LINEAR REGULATOR**

**AZ1117B**

**Mechanical Dimensions (Continued)**

**SOT-89**

**Unit: mm(inch)**





## **BCD Semiconductor Manufacturing Limited**

<http://www.bcdsemi.com>

### **IMPORTANT NOTICE**

BCD Semiconductor Manufacturing Limited reserves the right to make changes without further notice to any products or specifications herein. BCD Semiconductor Manufacturing Limited does not assume any responsibility for use of any its products for any particular purpose, nor does BCD Semiconductor Manufacturing Limited assume any liability arising out of the application or use of any its products or circuits. BCD Semiconductor Manufacturing Limited does not convey any license under its patent rights or other rights nor the rights of others.

---

#### **MAIN SITE**

##### **- Headquarters**

##### **BCD Semiconductor Manufacturing Limited**

No. 1600, Zi Xing Road, Shanghai Zizhu Science-based Industrial Park, 200241, China  
Tel: +86-21-24162266, Fax: +86-21-24162277

##### **- Wafer Fab**

##### **Shanghai SIM-BCD Semiconductor Manufacturing Co., Ltd.**

800 Yi Shan Road, Shanghai 200233, China  
Tel: +86-21-6485 1491, Fax: +86-21-5450 0008

#### **REGIONAL SALES OFFICE**

##### **Shenzhen Office**

##### **Shanghai SIM-BCD Semiconductor Manufacturing Co., Ltd., Shenzhen Office**

Unit A Room 1203, Skyworth Bldg., Gaoxin Ave. 1.S., Nanshan District, Shenzhen, China  
Tel: +86-755-8826 7951  
Fax: +86-755-8826 7865

##### **Taiwan Office**

##### **BCD Semiconductor (Taiwan) Company Limited**

4F, 298-1, Rui Guang Road, Nei-Hu District, Taipei, Taiwan  
Tel: +886-2-2656 2808  
Fax: +886-2-2656 2806

##### **USA Office**

##### **BCD Semiconductor Corp.**

30920 Huntwood Ave. Hayward, CA 94544, USA  
Tel : +1-510-324-2988  
Fax: +1-510-324-2788



## X-ON Electronics

Largest Supplier of Electrical and Electronic Components

*Click to view similar products for [LDO Voltage Regulators](#) category:*

*Click to view products by [Diodes Incorporated](#) manufacturer:*

Other Similar products are found below :

[AP7363-SP-13](#) [NCV8664CST33T3G](#) [L79M05TL-E](#) [AP7362-HA-7](#) [PT7M8202B12TA5EX](#) [TCR3DF185,LM\(CT](#) [TLF4949EJ](#)  
[NCP4687DH15T1G](#) [NCV8703MX30TCG](#) [LP2951CN](#) [NCV4269CPD50R2G](#) [AP7315-25W5-7](#) [NCV47411PAAJR2G](#) [AP2111H-1.2TRG1](#)  
[ZLDO1117QK50TC](#) [AZ1117ID-ADJTRG1](#) [NCV4263-2CPD50R2G](#) [NCP706ABMX300TAG](#) [NCP114BMX075TCG](#) [MC33269T-3.5G](#)  
[TLE4471GXT](#) [AP7315-33SA-7](#) [NCV4266-2CST33T3G](#) [NCP715SQ15T2G](#) [NCV8623MN-50R2G](#) [NCV563SQ18T1G](#) [NCV8664CDT33RKG](#)  
[NCV4299CD250R2G](#) [NCP715MX30TBG](#) [NCV8702MX25TCG](#) [TLE7270-2E](#) [NCV562SQ25T1G](#) [AP2213D-3.3TRG1](#) [AP2202K-2.6TRE1](#)  
[NCV8170BMX300TCG](#) [NCV8152MX300180TCG](#) [NCP700CMT45TBG](#) [AP7315-33W5-7](#) [NCP154MX180300TAG](#) [AP2113AMTR-G1](#)  
[NJW4104U2-33A-TE1](#) [MP2013AGG-5-P](#) [NCV8775CDT50RKG](#) [NJM2878F3-45-TE1](#) [S-19214B00A-V5T2U7](#) [S-19214B50A-V5T2U7](#) [S-](#)  
[19213B50A-V5T2U7](#) [S-19214BC0A-E8T1U7\\*1](#) [S-19213B00A-V5T2U7](#) [S-19213B33A-V5T2U7](#)