

Product Summary

| BV _{DSS} | R _{DS(on)} Max | I _D Max T _C = +25°C |
|-------------------|--------------------------------|--|
| -30V | 10mΩ @ V _{GS} = -10V | -50A |
| | 18mΩ @ V _{GS} = -4.5V | -37A |

Description

This new generation MOSFET is designed to minimize the on-state resistance (R_{DS(on)}) yet maintain superior switching performance, making it ideal for high-efficiency power management applications.

Applications

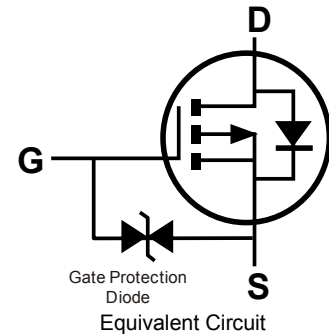
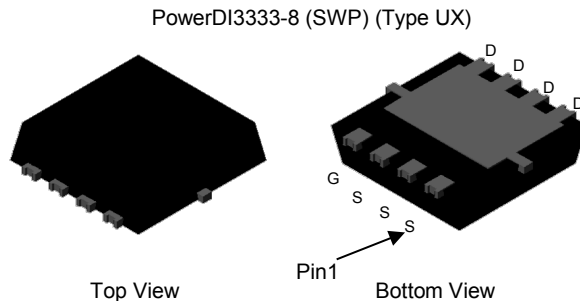
- General Purpose Interfacing Switch
- Power Management Functions

Features and Benefits

- Low R_{DS(on)} – Ensures On-State Losses Are Minimized
- Small Form Factor Thermally Efficient Package Enables Higher Density End Products
- Occupies Just 33% of The Board Area Occupied by SO-8 Enabling Smaller End Product
- **ESD Protected Gate**
- **Totally Lead-Free & Fully RoHS Compliant (Notes 1 & 2)**
- **Halogen and Antimony Free. “Green” Device (Note 3)**
- **For automotive applications requiring specific change control (i.e. parts qualified to AEC-Q100/101/200, PPAP capable, and manufactured in IATF 16949 certified facilities), please [contact us](https://www.diodes.com/quality/product-definitions/) or your local Diodes representative. <https://www.diodes.com/quality/product-definitions/>**

Mechanical Data

- Case: PowerDI[®] 3333-8
- Case Material: Molded Plastic, “Green” Molding Compound. UL Flammability Classification Rating 94V-0
- Moisture Sensitivity: Level 1 per J-STD-020
- Terminal Connections Indicator: See Diagram
- Terminals: Finish—Matte Tin Annealed over Copper Leadframe. Solderable per MIL-STD-202, Method 208 **Ⓔ3**
- Weight: 0.072 grams (Approximate)

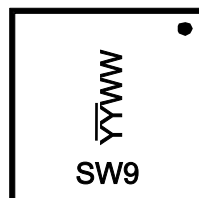


Ordering Information (Note 4)

| Part Number | Case | Packaging |
|----------------|-------------------------------|-------------------|
| DMP3011SFVW-7 | PowerDI3333-8 (SWP) (Type UX) | 2,000/Tape & Reel |
| DMP3011SFVW-13 | PowerDI3333-8 (SWP) (Type UX) | 3,000/Tape & Reel |

- Notes:
1. No purposely added lead. Fully EU Directive 2002/95/EC (RoHS), 2011/65/EU (RoHS 2) & 2015/863/EU (RoHS 3) compliant.
 2. See <https://www.diodes.com/quality/lead-free/> for more information about Diodes Incorporated's definitions of Halogen- and Antimony-free, “Green” and Lead-free.
 3. Halogen- and Antimony-free “Green” products are defined as those which contain <900ppm bromine, <900ppm chlorine (<1500ppm total Br + Cl) and <1000ppm antimony compounds.
 4. For packaging details, go to our website at <https://www.diodes.com/design/support/packaging/diodes-packaging/>.

Marking Information



SW9 = Product Type Marking Code
 YYWW = Date Code Marking
 YY = Last Two Digits of Year (ex: 21 = 2021)
 WW = Week Code (01 to 53)

Maximum Ratings (@ $T_A = +25^\circ\text{C}$, unless otherwise specified.)

| Characteristic | | | Symbol | Value | Unit |
|---|--------------|---------------------------|-----------|----------|------|
| Drain-Source Voltage | | | V_{DSS} | -30 | V |
| Gate-Source Voltage | | | V_{GSS} | ± 25 | V |
| Continuous Drain Current (Note 6) $V_{GS} = -10\text{V}$ | Steady State | $T_A = +25^\circ\text{C}$ | I_D | -19.8 | A |
| | | $T_A = +70^\circ\text{C}$ | | -12 | |
| Continuous Drain Current (Note 7) $V_{GS} = -10\text{V}$ | Steady State | $T_C = +25^\circ\text{C}$ | I_D | -50 | A |
| | | $T_C = +70^\circ\text{C}$ | | -40 | |
| Maximum Continuous Body Diode Forward Current (Note 7) | | | I_S | -2.9 | A |
| Pulsed Drain Current (10 μs Pulse, Duty Cycle = 1%) | | | I_{DM} | -176 | A |
| Pulsed Body Diode Forward Current (10 μs Pulse, Duty Cycle = 1%) | | | I_{SM} | -176 | A |
| Avalanche Current (Note 8) $L = 1\text{mH}$ | | | I_{AS} | -14 | A |
| Avalanche Energy (Note 8) $L = 1\text{mH}$ | | | E_{AS} | 104 | mJ |

Thermal Characteristics (@ $T_A = +25^\circ\text{C}$, unless otherwise specified.)

| Characteristic | | Symbol | Value | Unit |
|--|---------------------------|-----------------|-------------|--------------------|
| Total Power Dissipation (Note 5) | $T_A = +25^\circ\text{C}$ | P_D | 0.98 | W |
| Thermal Resistance, Junction to Ambient (Note 5) | Steady State | $R_{\theta JA}$ | 127 | $^\circ\text{C/W}$ |
| Total Power Dissipation (Note 6) | $T_A = +25^\circ\text{C}$ | P_D | 2.25 | W |
| Thermal Resistance, Junction to Ambient (Note 6) | Steady State | $R_{\theta JA}$ | 55 | $^\circ\text{C/W}$ |
| Thermal Resistance, Junction to Case (Note 7) | | $R_{\theta JC}$ | 3.3 | $^\circ\text{C/W}$ |
| Operating and Storage Temperature Range | | T_J, T_{STG} | -55 to +150 | $^\circ\text{C}$ |

Electrical Characteristics (@ $T_A = +25^\circ\text{C}$, unless otherwise specified.)

| Characteristic | Symbol | Min | Typ | Max | Unit | Test Condition |
|--|--------------|------|------|----------|---------------|--|
| OFF CHARACTERISTICS (Note 9) | | | | | | |
| Drain-Source Breakdown Voltage | BV_{DSS} | -30 | — | — | V | $V_{GS} = 0\text{V}, I_D = -250\mu\text{A}$ |
| Zero Gate Voltage Drain Current | I_{DSS} | — | — | -1 | μA | $V_{DS} = -24\text{V}, V_{GS} = 0\text{V}$ |
| Gate-Source Leakage | I_{GSS} | — | — | ± 10 | μA | $V_{GS} = \pm 25\text{V}, V_{DS} = 0\text{V}$ |
| ON CHARACTERISTICS (Note 9) | | | | | | |
| Gate Threshold Voltage | $V_{GS(th)}$ | -1.0 | — | -3.0 | V | $V_{DS} = V_{GS}, I_D = -250\mu\text{A}$ |
| Static Drain-Source On-Resistance | $R_{DS(on)}$ | — | 8 | 10 | m Ω | $V_{GS} = -10\text{V}, I_D = -11.5\text{A}$ |
| | | — | 13 | 18 | | $V_{GS} = -4.5\text{V}, I_D = -8.5\text{A}$ |
| Diode Forward Voltage | V_{SD} | — | -0.7 | -1.2 | V | $V_{GS} = 0\text{V}, I_S = -1\text{A}$ |
| DYNAMIC CHARACTERISTICS (Note 10) | | | | | | |
| Input Capacitance | C_{iss} | — | 2380 | — | pF | $V_{DS} = -15\text{V}, V_{GS} = 0\text{V}, f = 1.0\text{MHz}$ |
| Output Capacitance | C_{oss} | — | 341 | — | pF | |
| Reverse Transfer Capacitance | C_{rss} | — | 296 | — | pF | |
| Gate Resistance | R_g | — | 3 | — | Ω | $V_{DS} = 0\text{V}, V_{GS} = 0\text{V}, f = 1.0\text{MHz}$ |
| Total Gate Charge ($V_{GS} = -5\text{V}$) | Q_g | — | 25 | — | nC | $V_{DS} = -15\text{V}, I_D = -11.5\text{A}$ |
| Total Gate Charge ($V_{GS} = -10\text{V}$) | Q_g | — | 46 | — | nC | |
| Gate-Source Charge | Q_{gs} | — | 6.8 | — | nC | |
| Gate-Drain Charge | Q_{gd} | — | 13 | — | nC | |
| Turn-On Delay Time | $t_{D(on)}$ | — | 6 | — | ns | $V_{DD} = -15\text{V}, V_{GS} = -10\text{V}, R_G = 6\Omega, I_D = -11.5\text{A}$ |
| Turn-On Rise Time | t_R | — | 22 | — | ns | |
| Turn-Off Delay Time | $t_{D(off)}$ | — | 43 | — | ns | |
| Turn-Off Fall Time | t_F | — | 33 | — | ns | |
| Reverse Recovery Time | t_{RR} | — | 19 | — | ns | $I_S = -11.5\text{A}, di/dt = 100\text{A}/\mu\text{s}$ |
| Reverse Recovery Charge | Q_{RR} | — | 8.9 | — | nC | |

- Notes:
- Device mounted on FR-4 PC board, with minimum recommended pad layout, single sided.
 - Device mounted on FR-4 substrate PC board, 2oz copper, with thermal bias to bottom layer 1-inch square copper plate.
 - Thermal resistance from junction to soldering point (on the exposed drain pad).
 - I_{AS} and E_{AS} ratings are based on low frequency and duty cycles to keep $T_J = +25^\circ\text{C}$.
 - Short duration pulse test used to minimize self-heating effect.
 - Guaranteed by design. Not subject to product testing.

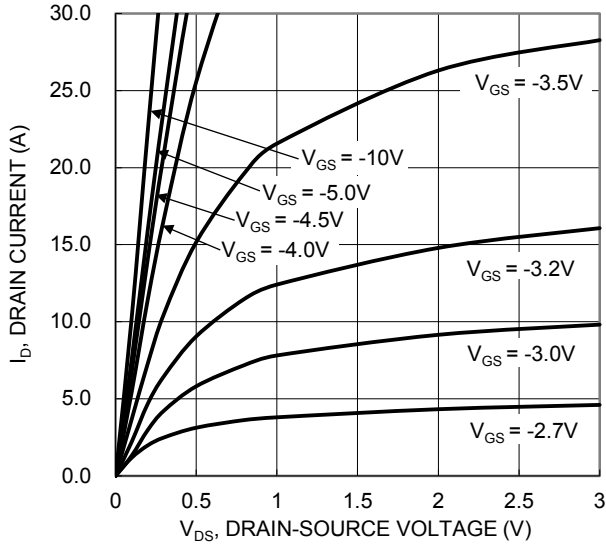


Figure 1. Typical Output Characteristic

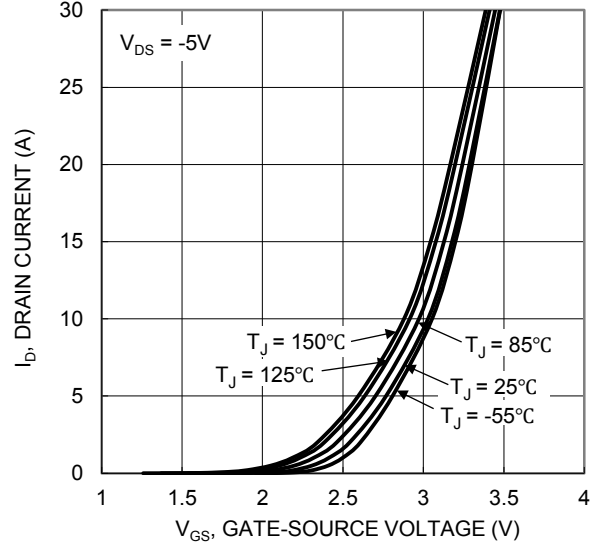


Figure 2. Typical Transfer Characteristic

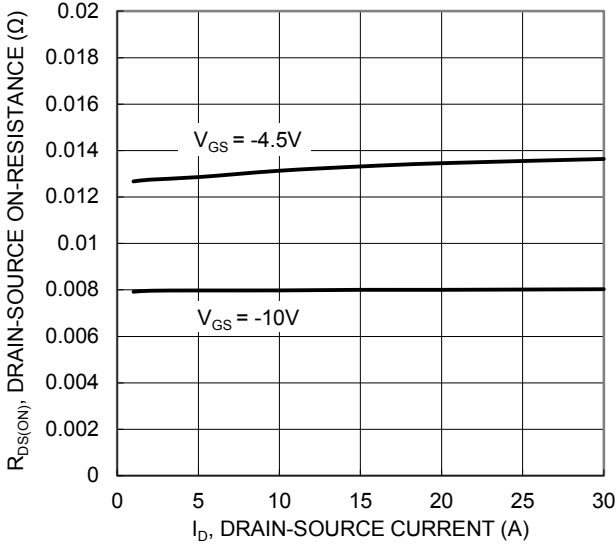


Figure 3. Typical On-Resistance vs. Drain Current and Gate Voltage

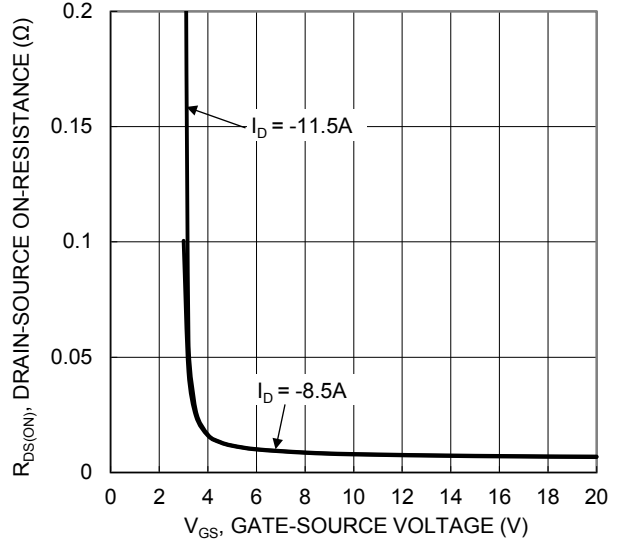


Figure 4. Typical Transfer Characteristic

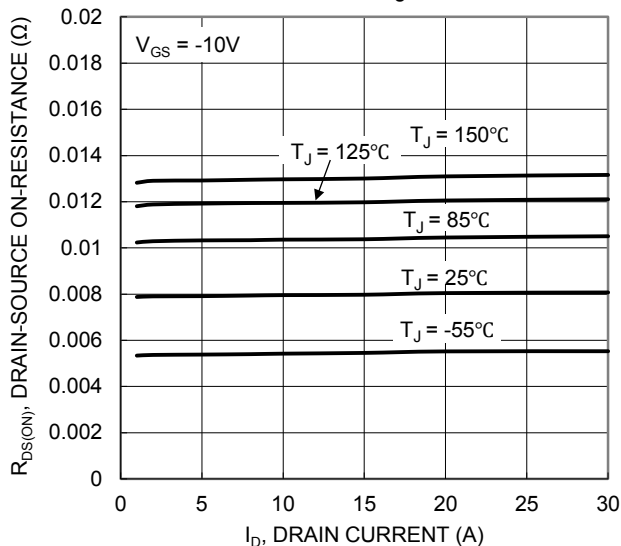


Figure 5. Typical On-Resistance vs. Drain Current and Junction Temperature

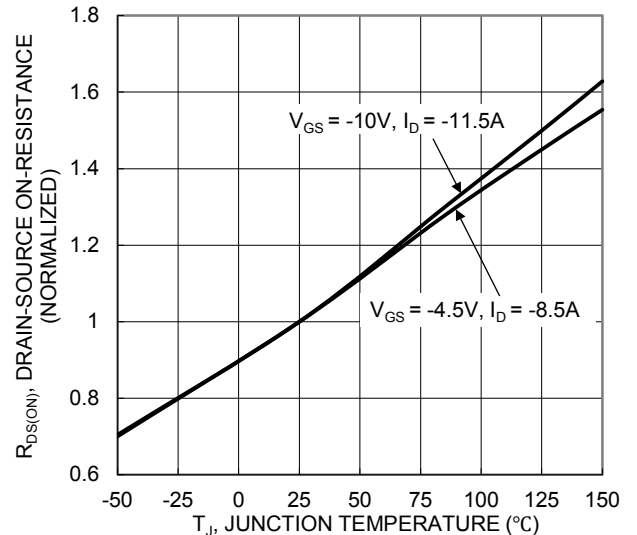


Figure 6. On-Resistance Variation with Junction Temperature

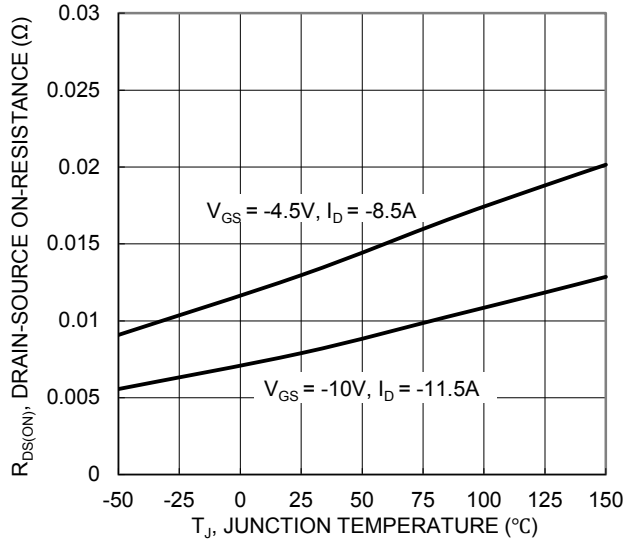


Figure 7. On-Resistance Variation with Junction Temperature

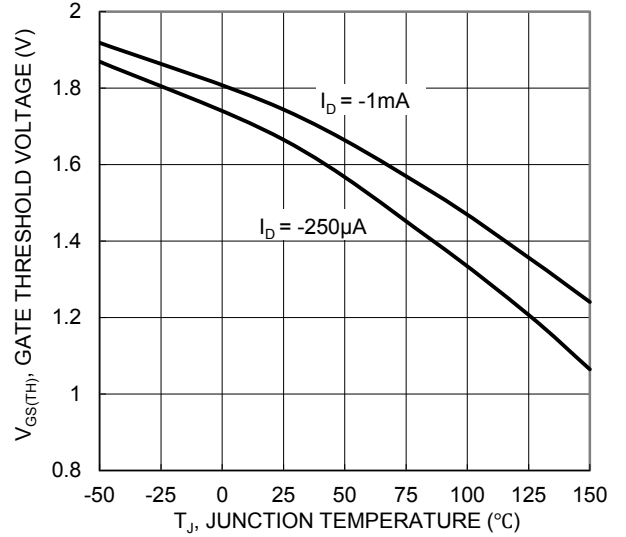


Figure 8. Gate Threshold Variation vs. Junction Temperature

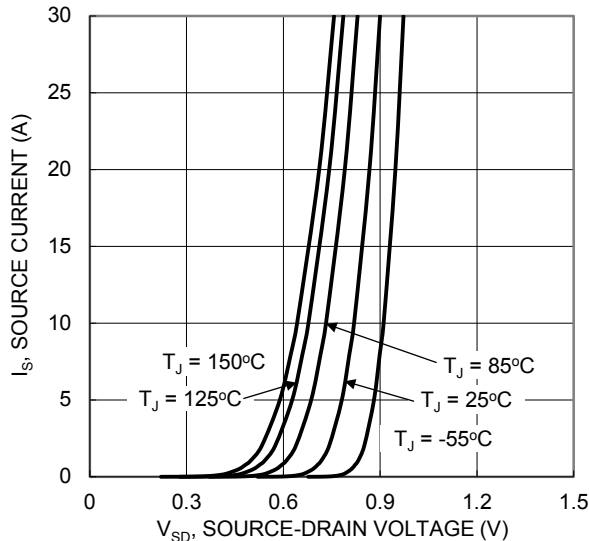


Figure 9. Diode Forward Voltage vs. Current

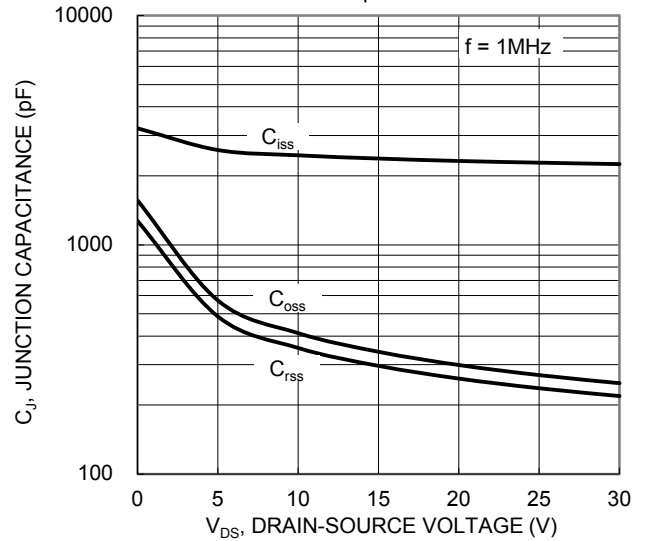


Figure 10. Typical Junction Capacitance

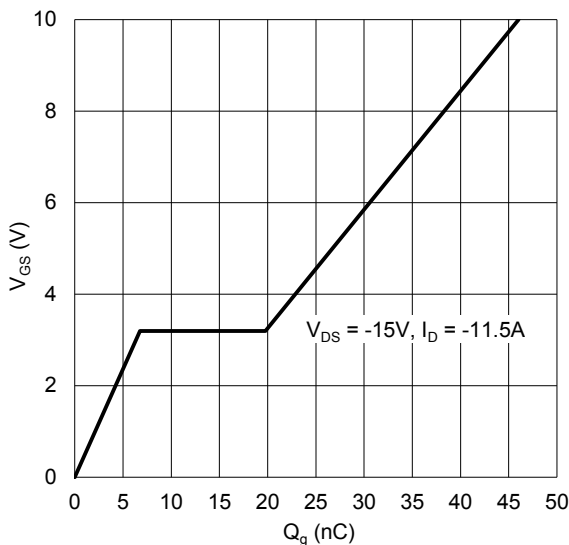


Figure 11. Gate Charge

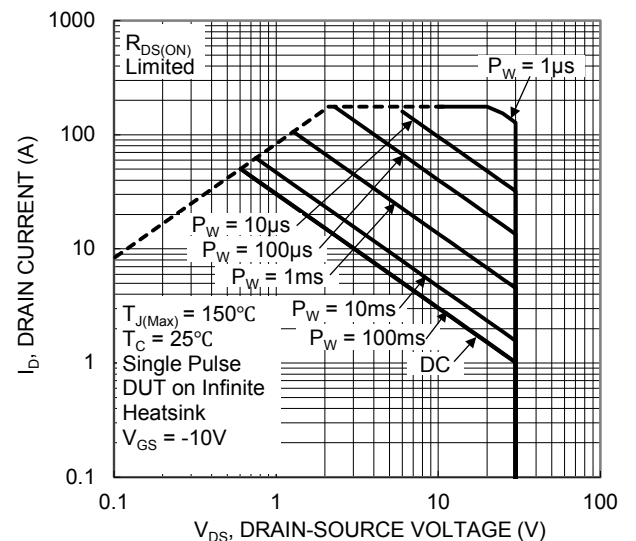


Figure 12. SOA, Safe Operation Area

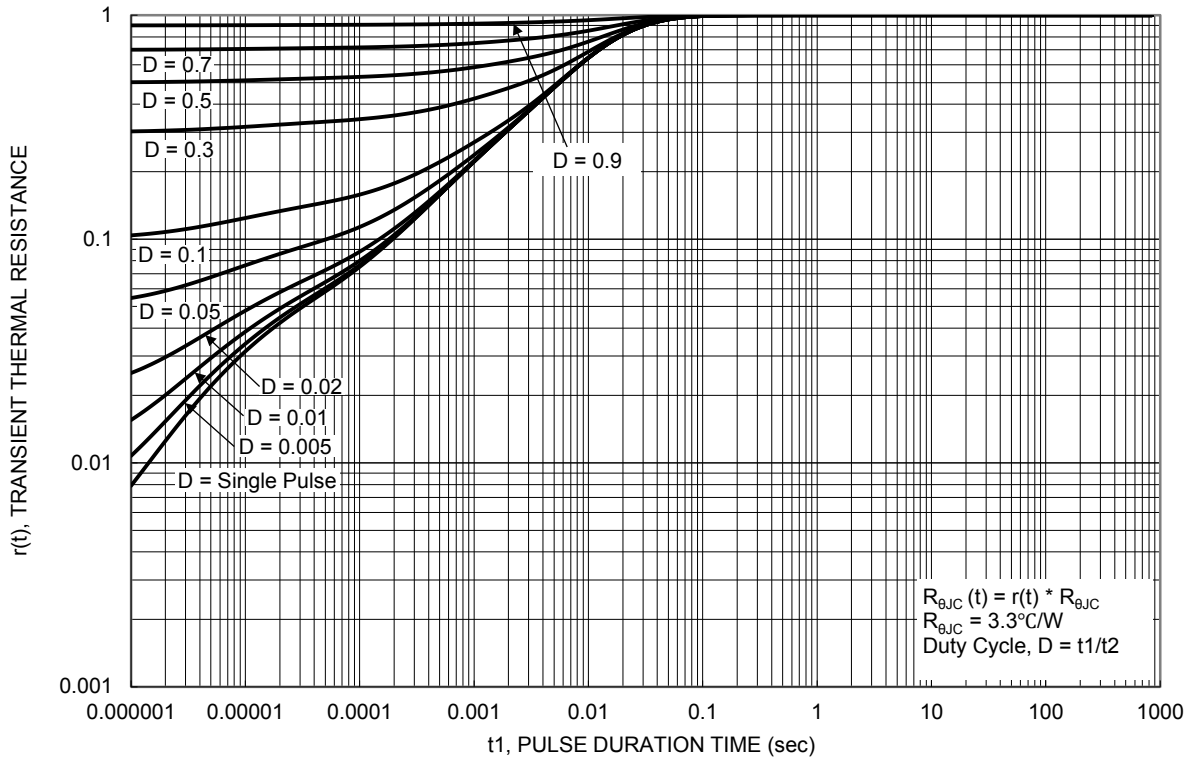
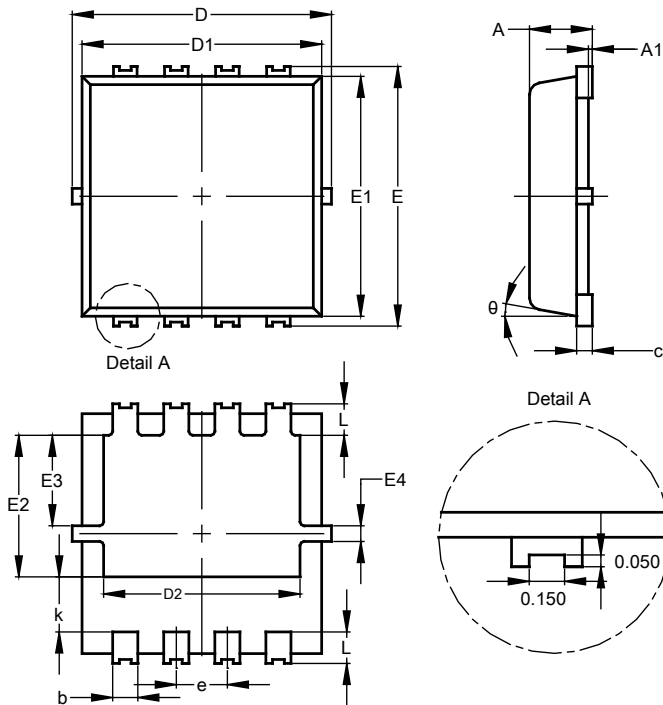


Figure 13. Transient Thermal Resistance

Package Outline Dimensions

Please see <http://www.diodes.com/package-outlines.html> for the latest version.

PowerDI3333-8 (SWP) (Type UX)

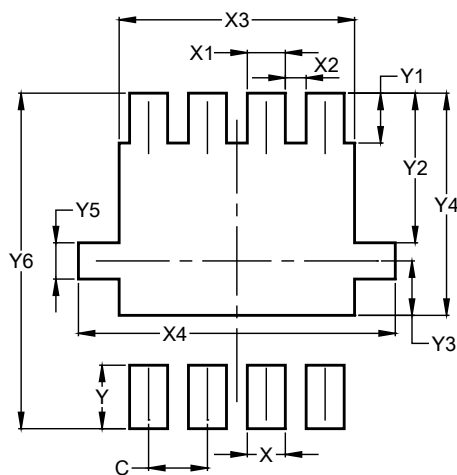


| PowerDI3333-8 (SWP) (Type UX) | | | |
|----------------------------------|------|------|------|
| Dim | Min | Max | Typ |
| A | 0.75 | 0.85 | 0.80 |
| A1 | 0.00 | 0.05 | -- |
| b | 0.25 | 0.40 | 0.32 |
| c | 0.10 | 0.25 | 0.15 |
| D | 3.20 | 3.40 | 3.30 |
| D1 | 2.95 | 3.15 | 3.05 |
| D2 | 2.30 | 2.70 | 2.50 |
| E | 3.20 | 3.40 | 3.30 |
| E1 | 2.95 | 3.15 | 3.05 |
| E2 | 1.60 | 2.00 | 1.80 |
| E3 | 0.95 | 1.35 | 1.15 |
| E4 | 0.10 | 0.30 | 0.20 |
| e | -- | -- | 0.65 |
| k | 0.50 | 0.90 | 0.70 |
| L | 0.30 | 0.50 | 0.40 |
| θ | 0° | 12° | 10° |
| All Dimensions in mm | | | |

Suggested Pad Layout

Please see <http://www.diodes.com/package-outlines.html> for the latest version.

PowerDI3333-8 (SWP) (Type UX)



| Dimensions | Value (in mm) |
|------------|---------------|
| C | 0.650 |
| X | 0.420 |
| X1 | 0.420 |
| X2 | 0.230 |
| X3 | 2.600 |
| X4 | 3.500 |
| Y | 0.700 |
| Y1 | 0.550 |
| Y2 | 1.650 |
| Y3 | 0.600 |
| Y4 | 2.450 |
| Y5 | 0.400 |
| Y6 | 3.700 |

IMPORTANT NOTICE

1. DIODES INCORPORATED AND ITS SUBSIDIARIES (“DIODES”) MAKE NO WARRANTY OF ANY KIND, EXPRESS OR IMPLIED, WITH REGARDS TO ANY INFORMATION CONTAINED IN THIS DOCUMENT, INCLUDING, BUT NOT LIMITED TO, THE IMPLIED WARRANTIES OF MERCHANTABILITY, FITNESS FOR A PARTICULAR PURPOSE OR NON-INFRINGEMENT OF THIRD PARTY INTELLECTUAL PROPERTY RIGHTS (AND THEIR EQUIVALENTS UNDER THE LAWS OF ANY JURISDICTION).
2. The Information contained herein is for informational purpose only and is provided only to illustrate the operation of Diodes products described herein and application examples. Diodes does not assume any liability arising out of the application or use of this document or any product described herein. This document is intended for skilled and technically trained engineering customers and users who design with Diodes products. Diodes products may be used to facilitate safety-related applications; however, in all instances customers and users are responsible for (a) selecting the appropriate Diodes products for their applications, (b) evaluating the suitability of the Diodes products for their intended applications, (c) ensuring their applications, which incorporate Diodes products, comply the applicable legal and regulatory requirements as well as safety and functional-safety related standards, and (d) ensuring they design with appropriate safeguards (including testing, validation, quality control techniques, redundancy, malfunction prevention, and appropriate treatment for aging degradation) to minimize the risks associated with their applications.
3. Diodes assumes no liability for any application-related information, support, assistance or feedback that may be provided by Diodes from time to time. Any customer or user of this document or products described herein will assume all risks and liabilities associated with such use, and will hold Diodes and all companies whose products are represented herein or on Diodes’ websites, harmless against all damages and liabilities.
4. Products described herein may be covered by one or more United States, international or foreign patents and pending patent applications. Product names and markings noted herein may also be covered by one or more United States, international or foreign trademarks and trademark applications. Diodes does not convey any license under any of its intellectual property rights or the rights of any third parties (including third parties whose products and services may be described in this document or on Diodes’ website) under this document.
5. Diodes products are provided subject to Diodes’ Standard Terms and Conditions of Sale (<https://www.diodes.com/about/company/terms-and-conditions/terms-and-conditions-of-sales/>) or other applicable terms. This document does not alter or expand the applicable warranties provided by Diodes. Diodes does not warrant or accept any liability whatsoever in respect of any products purchased through unauthorized sales channel.
6. Diodes products and technology may not be used for or incorporated into any products or systems whose manufacture, use or sale is prohibited under any applicable laws and regulations. Should customers or users use Diodes products in contravention of any applicable laws or regulations, or for any unintended or unauthorized application, customers and users will (a) be solely responsible for any damages, losses or penalties arising in connection therewith or as a result thereof, and (b) indemnify and hold Diodes and its representatives and agents harmless against any and all claims, damages, expenses, and attorney fees arising out of, directly or indirectly, any claim relating to any noncompliance with the applicable laws and regulations, as well as any unintended or unauthorized application.
7. While efforts have been made to ensure the information contained in this document is accurate, complete and current, it may contain technical inaccuracies, omissions and typographical errors. Diodes does not warrant that information contained in this document is error-free and Diodes is under no obligation to update or otherwise correct this information. Notwithstanding the foregoing, Diodes reserves the right to make modifications, enhancements, improvements, corrections or other changes without further notice to this document and any product described herein. This document is written in English but may be translated into multiple languages for reference. Only the English version of this document is the final and determinative format released by Diodes.
8. Any unauthorized copying, modification, distribution, transmission, display or other use of this document (or any portion hereof) is prohibited. Diodes assumes no responsibility for any losses incurred by the customers or users or any third parties arising from any such unauthorized use.

Copyright © 2021 Diodes Incorporated

www.diodes.com

X-ON Electronics

Largest Supplier of Electrical and Electronic Components

Click to view similar products for [Diodes Incorporated](#) manufacturer:

Other Similar products are found below :

[004419CB](#) [069117AB](#) [1.5KE15A-T](#) [1.5KE15CA-T](#) [1.5KE200A-T](#) [1.5KE20CA-T](#) [1.5KE24A-T](#) [1.5KE250CA-T](#) [1.5KE27CA-T](#) [1.5KE30A-T](#) [1.5KE30CA-T](#) [1.5KE33A-T](#) [1.5KE350A-T](#) [1.5KE36CA-T](#) [1.5KE47A-T](#) [1.5KE47CA-T](#) [1.5KE51CA-T](#) [1.5KE62A-T](#) [1.5KE68A-T](#) [1.5KE68CA](#) [1.5KE68CA-T](#) [1.5KE7V5A-T](#) [1.5KE82CA-T](#) [1.5KE9V1A-T](#) [1N4001G-T](#) [1N4001-T](#) [1N4002](#) [1N4002G-T](#) [1N4002-T](#) [1N4003G-T](#) [1N4003-T](#) [1N4004](#) [1N4004G-T](#) [1N4004-T](#) [1N4005-B](#) [1N4005G-T](#) [1N4005-T](#) [1N4005-TR](#) [1N4006-B](#) [1N4006G-T](#) [1N4006-T](#) [1N4007G-T](#) [1N4007-T](#) [1N4148-T](#) [1N4148W-13-F](#) [1N4148W-7-F](#) [1N4148WQ-13-F](#) [1N4148WQ-7-F](#) [1N4148WS-13-F](#) [1N4148WS-7-F](#)