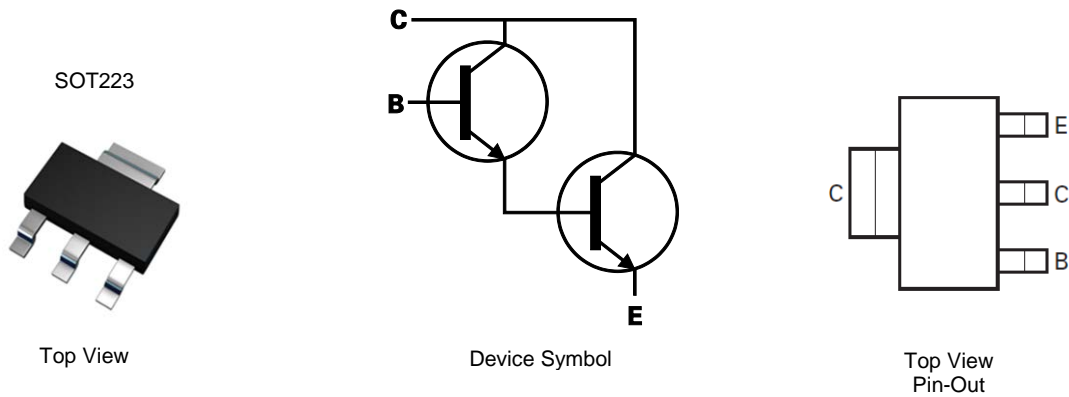


**Features**

- $BV_{CE0} > 140V$
- $BV_{CBO} > 160V$
- $I_C = 2A$  High Continuous Current
- NPN Darlington With Gain  $> 10k$
- Guaranteed  $h_{FE}$  Specified up to 1A
- **Lead-Free Finish; RoHS Compliant (Notes 1 & 2)**
- **Halogen and Antimony Free. "Green" Device (Note 3)**
- **Qualified to AEC-Q101 Standards for High Reliability**
- **An Automotive-Compliant Part is Available Under Separate Datasheet ([FZT600BQ](#))**

**Mechanical Data**

- Case: SOT223 (Type DN)
- Case Material: Molded Plastic. "Green" Molding Compound; UL Flammability Rating 94V-0
- Moisture Sensitivity: Level 1 per J-STD-020
- Terminals: Finish—Matte Tin Plated Leads, Solderable per MIL-STD-202, Method 208 ③
- Weight: 0.112 grams (Approximate)

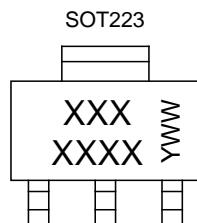


**Ordering Information (Note 5)**

Product	Compliance	Marking	Reel size (inches)	Tape width (mm)	Quantity per reel
FZT600TA	AEC-Q101	FZT600	7	12	1000
FZT600BTA	AEC-Q101	FZT600B	7	12	1000

- Notes:
1. EU Directive 2002/95/EC (RoHS), 2011/65/EU (RoHS 2) & 2015/863/EU (RoHS 3) compliant. All applicable RoHS exemptions applied.
  2. See <https://www.diodes.com/quality/lead-free/> for more information about Diodes Incorporated's definitions of Halogen- and Antimony-free, "Green" and Lead-free.
  3. Halogen- and Antimony-free "Green" products are defined as those which contain <900ppm bromine, <900ppm chlorine (<1500ppm total Br + Cl) and <1000ppm antimony compounds.
  4. For packaging details, see <http://www.diodes.com/products/packages.html>.

**Marking Information**



XXX XXXX = Product Type Marking Code  
 YWW = Date Code Marking  
 Y or  $\bar{Y}$  = Last Digit of Year (ex: 8= 2018)  
 WW or  $\bar{WW}$  = Week Code (01-53)

**Absolute Maximum Ratings** (@T<sub>A</sub> = +25°C, unless otherwise specified.)

Characteristic	Symbol	Value	Unit
Collector-Base Voltage	V <sub>CB0</sub>	160	V
Collector-Emitter Voltage	V <sub>CEO</sub>	140	V
Emitter-Base Voltage	V <sub>EBO</sub>	10	V
Continuous Collector Current	I <sub>C</sub>	2	A
Peak Pulse Current	I <sub>CM</sub>	4	A

**Thermal Characteristics** (@T<sub>A</sub> = +25°C, unless otherwise specified.)

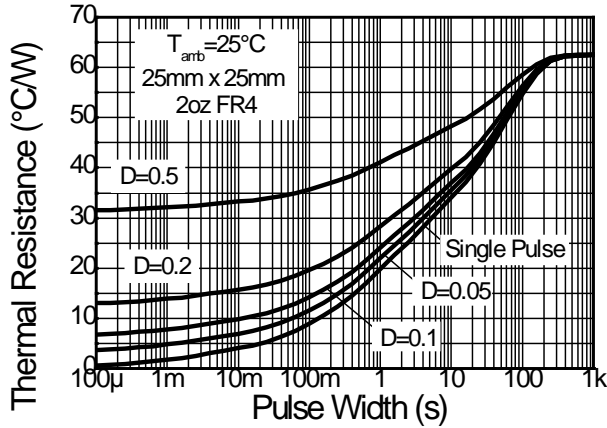
Characteristic	Symbol	Value	Unit
Power Dissipation	P <sub>D</sub>	3.0	W
		(Note 5)	
		(Note 6)	
		(Note 7)	
Thermal Resistance, Junction to Ambient	R <sub>θJA</sub>	1.6	°C/W
		(Note 8)	
		(Note 5)	
		(Note 6)	
Thermal Resistance, Junction to Ambient	R <sub>θJA</sub>	62.5	°C/W
		(Note 7)	
		(Note 8)	
Thermal Resistance Junction to Lead	R <sub>θJL</sub>	104	°C/W
Thermal Resistance Junction to Lead	(Note 9)	12.9	
Operating and Storage Temperature Range	T <sub>J</sub> , T <sub>STG</sub>	-55 to +150	°C

**ESD Ratings** (Note 10)

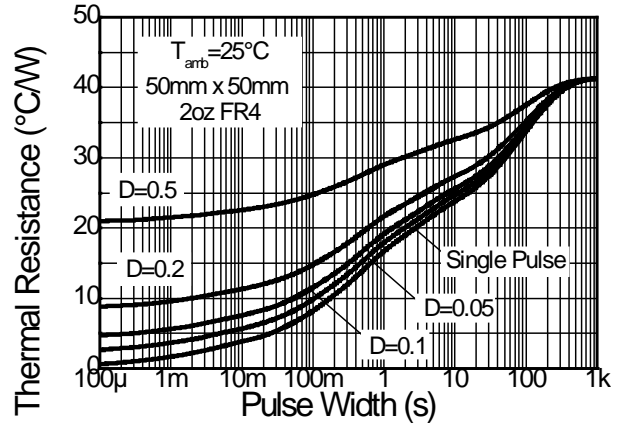
Characteristic	Symbol	Value	Unit	JEDEC Class
Electrostatic Discharge—Human Body Model	ESD HBM	2000	V	2
Electrostatic Discharge—Machine Model	ESD MM	200	V	B

- Notes:
5. For a device mounted with the collector lead on 50mm × 50mm 2oz copper that is on a single-sided 1.6mm FR4 PCB; device is measured under still air conditions whilst operating in a steady-state.
  6. Same as Note 6, except the device is mounted on 25mm × 25mm 2oz copper.
  7. Same as Note 6, except the device is mounted on 25mm × 25mm 1oz copper.
  8. Same as Note 6, except the device is mounted on minimum recommended pad layout.
  9. Thermal resistance from junction to solder-point (at the end of the collector lead).
  10. Refer to JEDEC specification JESD22-A114 and JESD22-A115.

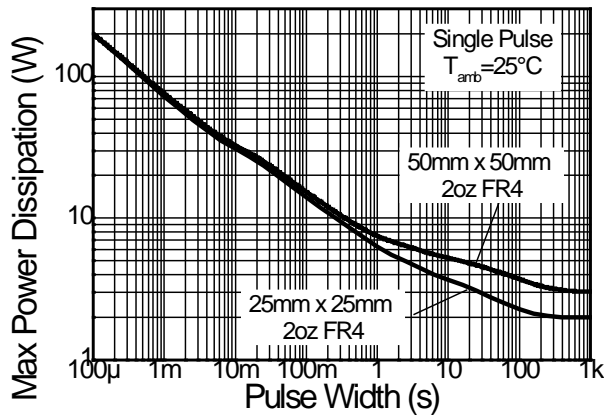
**Thermal Characteristics and Derating Information**



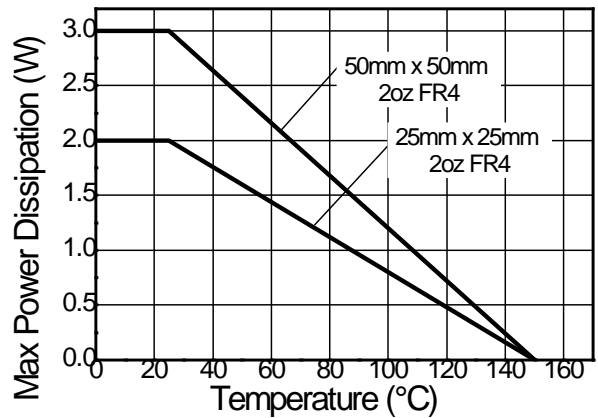
**Transient Thermal Impedance**



**Transient Thermal Impedance**



**Pulse Power Dissipation**



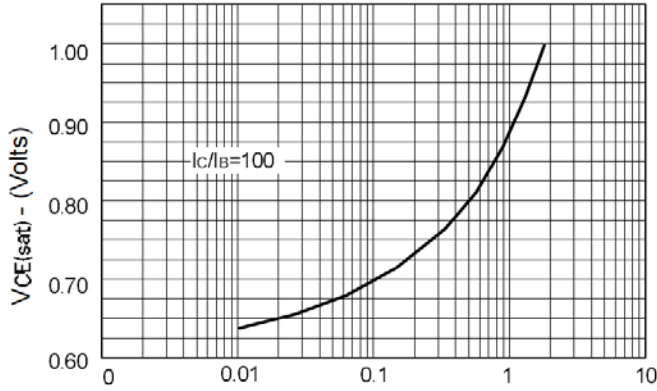
**Derating Curve**

**Electrical Characteristics** (@T<sub>A</sub> = +25°C, unless otherwise specified.)

Characteristic	Symbol	Min	Typ	Max	Unit	Test Condition
Collector-Base Breakdown Voltage	BV <sub>CBO</sub>	160	—	—	V	I <sub>C</sub> = 100μA
Collector-Emitter Breakdown Voltage (Note 12)	BV <sub>CEO</sub>	140	—	—	V	I <sub>C</sub> = 10mA
Emitter-Base Breakdown Voltage	BV <sub>EBO</sub>	10	—	—	V	I <sub>E</sub> = 100μA
Collector-Base Cut-Off Current	I <sub>CBO</sub>	—	—	0.01 10	μA μA	V <sub>CB</sub> = 140V V <sub>CB</sub> = 140V, T <sub>A</sub> = +100°C
Collector-Emitter Cut-Off Current	I <sub>CES</sub>	-	—	10	μA	V <sub>CE</sub> = 140V
Emitter Cut-Off Current	I <sub>EBO</sub>	-	—	0.1	μA	V <sub>EB</sub> = 8V
DC Current Gain (Note 12)	h <sub>FE</sub>	Group A (FZT600)		—	—	I <sub>C</sub> = 50mA, V <sub>CE</sub> = 10V
		1000 2000 1000	— — —	100,000 —	—	I <sub>C</sub> = 500mA, V <sub>CE</sub> = 10V I <sub>C</sub> = 1A, V <sub>CE</sub> = 10V
DC Current Gain (Note 12)	h <sub>FE</sub>	Group B (FZT600B)		—	—	I <sub>C</sub> = 50mA, V <sub>CE</sub> = 10V
		5000 10,000 5000	10,000 20,000 10,000	100,000 —	—	I <sub>C</sub> = 500mA, V <sub>CE</sub> = 10V I <sub>C</sub> = 1A, V <sub>CE</sub> = 10V
Collector-Emitter Saturation Voltage (Note 12)	V <sub>CE(sat)</sub>	—	0.75 0.85	1.1 1.2	V	I <sub>C</sub> = 500mA, I <sub>B</sub> = 5mA I <sub>C</sub> = 1A, I <sub>B</sub> = 10mA
Base-Emitter Saturation Voltage (Note 12)	V <sub>BE(sat)</sub>	—	1.7	1.9	V	I <sub>C</sub> = 1A, I <sub>B</sub> = 10mA
Base-Emitter Turn-On Voltage (Note 12)	V <sub>BE(on)</sub>	—	1.5	1.7	V	I <sub>C</sub> = 1A, V <sub>CE</sub> = 5V
Output Capacitance (Note 12)	C <sub>obo</sub>	—	10	15	pF	V <sub>CB</sub> = 10V, f = 1MHz
Current Gain-Bandwidth Product (Note 12)	f <sub>T</sub>	150	250	—	MHz	V <sub>CE</sub> = 10V, I <sub>C</sub> = 100mA, f = 20MHz
Turn-On Time	t <sub>on</sub>	—	0.75	—	μs	V <sub>CC</sub> = 10V, I <sub>C</sub> = 500mA
Turn-Off Time	t <sub>off</sub>	—	2.20	—	μs	I <sub>B1</sub> = -I <sub>B2</sub> = 0.5mA

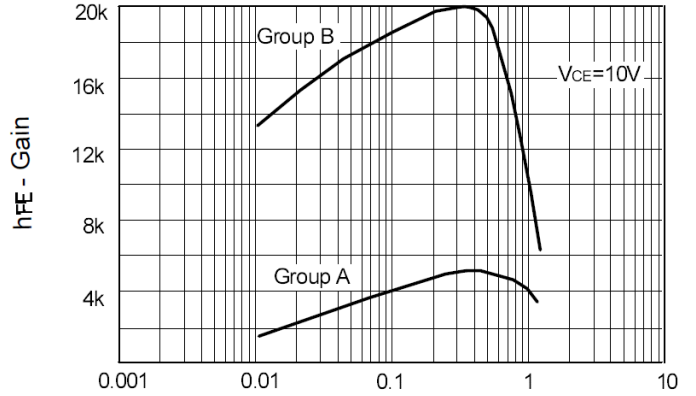
Note: 12. Measured under pulsed conditions. Pulse width ≤ 300 μs. Duty cycle ≤ 2%.

**Typical Electrical Characteristics** (@ $T_A = +25^\circ\text{C}$ , unless otherwise specified.)



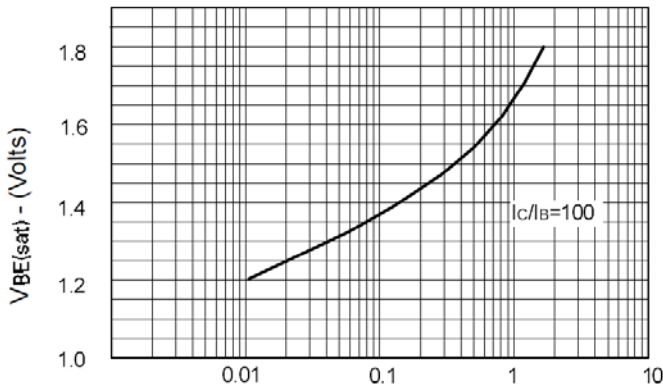
IC - Collector Current (Amps)

**VCE(sat) v IC**



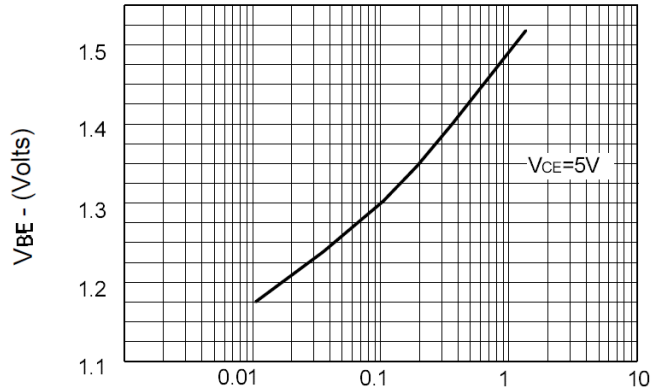
IC - Collector Current (Amps)

**hFE v IC**



IC - Collector Current (Amps)

**VBE(sat) v IC**



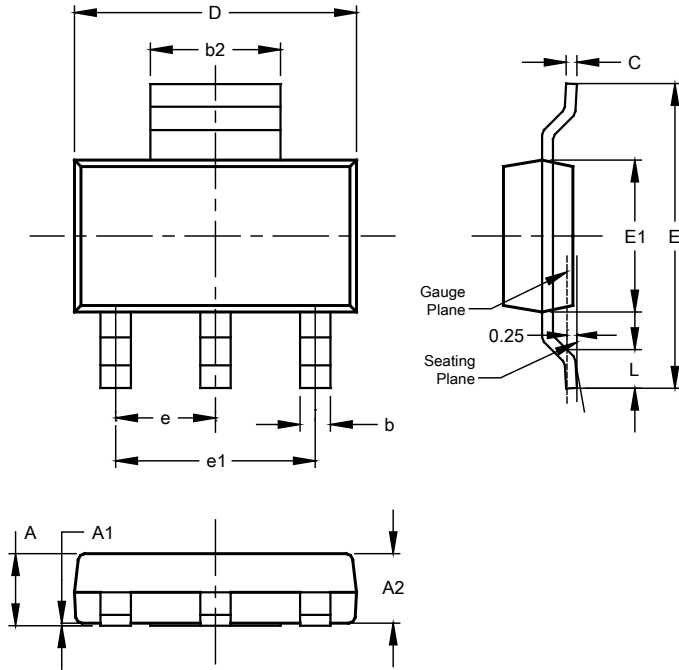
IC - Collector Current (Amps)

**VBE(on) v IC**

**Package Outline Dimensions**

Please see <http://www.diodes.com/package-outlines.html> for the latest version.

**SOT223 (Type DN)**

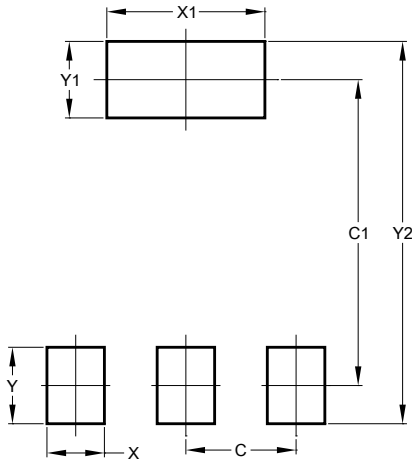


SOT223 (Type DN)			
Dim	Min	Max	Typ
A	—	1.70	—
A1	0.01	0.15	—
A2	1.50	1.68	1.60
b	0.60	0.80	0.70
b2	2.90	3.10	—
c	0.20	0.32	—
D	6.30	6.70	—
E	6.70	7.30	—
E1	3.30	3.70	—
e	—	—	2.30
e1	—	—	4.60
L	0.85	—	—
All Dimensions in mm			

**Suggested Pad Layout**

Please see <http://www.diodes.com/package-outlines.html> for the latest version.

**SOT223 (Type DN)**



Dimensions	Value (in mm)
C	2.30
C1	6.40
X	1.20
X1	3.30
Y	1.60
Y1	1.60
Y2	8.00

Note: 13. For high voltage applications, the appropriate industry sector guidelines should be considered with regards to creepage and clearance distances between device terminals and PCB tracking.

**IMPORTANT NOTICE**

DIODES INCORPORATED MAKES NO WARRANTY OF ANY KIND, EXPRESS OR IMPLIED, WITH REGARDS TO THIS DOCUMENT, INCLUDING, BUT NOT LIMITED TO, THE IMPLIED WARRANTIES OF MERCHANTABILITY AND FITNESS FOR A PARTICULAR PURPOSE (AND THEIR EQUIVALENTS UNDER THE LAWS OF ANY JURISDICTION).

Diodes Incorporated and its subsidiaries reserve the right to make modifications, enhancements, improvements, corrections or other changes without further notice to this document and any product described herein. Diodes Incorporated does not assume any liability arising out of the application or use of this document or any product described herein; neither does Diodes Incorporated convey any license under its patent or trademark rights, nor the rights of others. Any Customer or user of this document or products described herein in such applications shall assume all risks of such use and will agree to hold Diodes Incorporated and all the companies whose products are represented on Diodes Incorporated website, harmless against all damages.

Diodes Incorporated does not warrant or accept any liability whatsoever in respect of any products purchased through unauthorized sales channel. Should Customers purchase or use Diodes Incorporated products for any unintended or unauthorized application, Customers shall indemnify and hold Diodes Incorporated and its representatives harmless against all claims, damages, expenses, and attorney fees arising out of, directly or indirectly, any claim of personal injury or death associated with such unintended or unauthorized application.

Products described herein may be covered by one or more United States, international or foreign patents pending. Product names and markings noted herein may also be covered by one or more United States, international or foreign trademarks.

This document is written in English but may be translated into multiple languages for reference. Only the English version of this document is the final and determinative format released by Diodes Incorporated.

**LIFE SUPPORT**

Diodes Incorporated products are specifically not authorized for use as critical components in life support devices or systems without the express written approval of the Chief Executive Officer of Diodes Incorporated. As used herein:

A. Life support devices or systems are devices or systems which:

1. are intended to implant into the body, or
2. support or sustain life and whose failure to perform when properly used in accordance with instructions for use provided in the labeling can be reasonably expected to result in significant injury to the user.

B. A critical component is any component in a life support device or system whose failure to perform can be reasonably expected to cause the failure of the life support device or to affect its safety or effectiveness.

Customers represent that they have all necessary expertise in the safety and regulatory ramifications of their life support devices or systems, and acknowledge and agree that they are solely responsible for all legal, regulatory and safety-related requirements concerning their products and any use of Diodes Incorporated products in such safety-critical, life support devices or systems, notwithstanding any devices- or systems-related information or support that may be provided by Diodes Incorporated. Further, Customers must fully indemnify Diodes Incorporated and its representatives against any damages arising out of the use of Diodes Incorporated products in such safety-critical, life support devices or systems.

Copyright © 2018, Diodes Incorporated

[www.diodes.com](http://www.diodes.com)

## X-ON Electronics

Largest Supplier of Electrical and Electronic Components

*Click to view similar products for [Darlington Transistors](#) category:*

*Click to view products by [Diodes Incorporated](#) manufacturer:*

Other Similar products are found below :

[NJVMJD128T4G](#) [281287X](#) [BDV64B](#) [NJVMJD117T4G](#) [LB1205-L-E](#) [2N6053](#) [2N6383](#) [ULN2003ACM/TR](#) [2N7371](#) [2N6058](#) [2N6059](#)  
[2N6051](#) [2SB852KT146B](#) [2SD2560](#) [TIP112TU](#) [BCV27](#) [MMSTA28T146](#) [NJVNJD35N04T4G](#) [MJD127T4](#) [FJB102TM](#) [BSP61H6327XTSA1](#)  
[BU941ZPFI](#) [2SD1980TL](#) [NTE2350](#) [NTE245](#) [NTE46](#) [NTE98](#) [ULN2003ADR2G](#) [NTE2344](#) [NTE2349](#) [NTE2405](#) [NTE244](#) [NTE247](#) [NTE248](#)  
[NTE249](#) [NTE253](#) [NTE2548](#) [NTE261](#) [NTE262](#) [NTE263](#) [NTE264](#) [NTE269](#) [NTE2317](#) [NTE271](#) [NTE2341](#) [NTE2342](#) [MMBT6427LT1G](#)  
[MMBTA13LT1G](#) [BCV29.115](#) [BCV49.115](#)