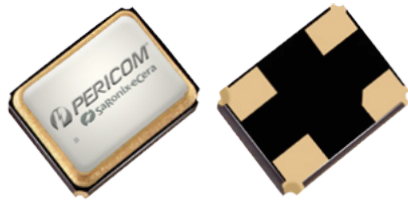


# 1.8V ~ 3.3VDC Clipped Sinewave TCXO

# JT325



3.2 x 2.5mm Ceramic SMD

Typical Frequencies available MHz:		
10.24	16.369	19.200
25.000	26.000	40.000

## Product Features

- Low Current
- Tight temperature stability
- Clipped Sinewave output levels
- Excellent Phase Noise
- Industrial Temperature Range
- Pb-free and RoHS/Green compliant
- Fast lead time

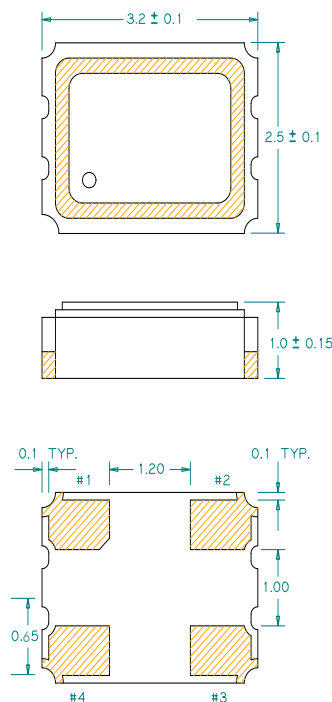
## Product Description

The JT325 TCXO series is a high performance temperature compensated oscillator with a Clipped Sinewave output for a very low operating supply current. It supports various power supply voltages, stabilities and other features. It is designed to meet tight temperature stability application requirements.

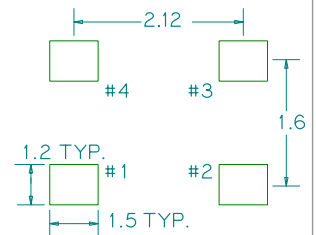
## Applications

- Networking systems
- Video Systems
- GPS/Navigation
- Metering
- Wireless

## Package: (scale-none, dimensions in mm)



### Recommended Land Pattern:



## Pin Functions:

Pin	Function
1	Ground
2	Ground
3	Output
4	V <sub>DD</sub>

## Part Ordering Information:

JT325 V X FFFF.FFFFFFF



### Voltage:

- 1 = +3.3V
- 2 = +2.5V
- 3 = +1.8V
- 4 = +1.5V
- B = +3.0V
- C = +2.8V
- D = +2.7V
- E = +2.85V
- F = +2.75V
- G = +2.4V

### Stability and Temp Range:

Stability	Temp Range	-20/+70C	-30/+85C	-30/+75C	-40/+85C
+/-0.5ppm	A	F	K	P	
+/-1.0ppm	B	G	L	Q	
+/-1.5ppm	C	H	M	R	
+/-2.0ppm	D	I	N	S	
+/-2.5ppm	E	J	O	T	
+/-5.0ppm	W	X	Y	U	

### Frequency:

FFFFFFFF  
MHz, "4 digits/decimal/6 digits" format

Following the above format, PSE Technology Corporation part numbers will be assigned upon confirmation of exact customer requirements.



### Electrical Performance

Parameter		Min.	Typ.	Max.	Units	Notes
Output Frequency		10		52	MHz	
Supply Voltage		1.8		3.3	V	See ordering options, VDD ±5%
Supply Current				1.5	mA	Output Frequency ≤ 30 MHz
				2.0	mA	Output Frequency > 30 MHz
Output Voltage Level		0.8		1.4	V	Pk-Pk
Output Load	Resistance	9	10	11	kΩ	
	Capacitance	9	10	11	pF	
Frequency Stability	vs Temperature	±0.5		±5.0	ppm	See ordering options
	vs Load			±0.2	ppm	±10% load change
	vs Voltage			±0.1	ppm	±5% supply voltage change at typical load
Static Temperature Hysteresis				±0.6	ppm	
Frequency Aging				±1.0	ppm	First year, +25°C
Frequency Tolerance After Two Reflows				±2.0	ppm	@ +25°C±3°C after one hour recovery
Harmonics				-8	dBc	
Operating Temperature Range		-30		+85	°C	See ordering options
Storage Temperature Range		-40		85	°C	
Phase Noise at 1KHz offset			-140		dBc/Hz	At 26MHz
Start up Time				2	ms	

#### Notes:

- For specifications other than those listed, please contact sales.
- Not all combinations of V<sub>DD</sub>, Operating Temperature Range, Frequency Stability and Output Frequency are available.
- Frequency Stability vs. Temperature is reference to the mid-point between minimum and maximum frequency values over the specified Operating Temperature Range
- Frequency Stability vs. Voltage and vs. Load changes are reference to the Nominal Frequency at 25°C

For the latest product information visit: <http://www.pericom.com/products/crystals-and-crystal-oscillators/tcxo/?part=JT325>

For test circuit go to: [http://www.pericom.com/assets/sre/VCTCXO\\_CLIPPEDESINE\\_RevB.pdf](http://www.pericom.com/assets/sre/VCTCXO_CLIPPEDESINE_RevB.pdf)

For soldering reflow profile and reliability test ratings go to: <http://www.pericom.com/assets/sre/reflow.pdf>

For tape and reel information go to: [http://www.pericom.com/assets/sre/tr\\_3225\\_xo.pdf](http://www.pericom.com/assets/sre/tr_3225_xo.pdf)

## X-ON Electronics

Largest Supplier of Electrical and Electronic Components

*Click to view similar products for [TCXO Oscillators](#) category:*

*Click to view products by [Diodes Incorporated](#) manufacturer:*

Other Similar products are found below :

[SiT5000AI-3D-33E0-10.000000X](#) [THD3031035LK280005-10.0M](#) [SiT5001AI-2E-33N0-48.000000X](#) [CVT32-10.000](#) [SIT5356AI-FQ-33E0-25.000000X](#) [XTCLH25M000THJA0P0](#) [LFTCXO075793Cutt](#) [LFTCXO077229Cutt](#) [LFPTXO000002Bulk](#) [LFTCXO077228Cutt](#) [LFTCXO077230Cutt](#) [LFTCXO075792Cutt](#) [LFPTXO000001Bulk](#) [LFTCXO063711BULK](#) [LFTCXO063715BULK](#) [LFTCXO063780BULK](#) [LFTCXO070027Cutt](#) [LFTCXO070028Cutt](#) [LFTCXO070033Cutt](#) [LFTCXO070037Cutt](#) [LFTCXO070179Cutt](#) [LFTCXO070180Cutt](#) [LFTCXO007009BULK](#) [XNCLH20M000CHJA3P0](#) [XNCLH25M000THJA0P0](#) [XNCLH30M720THJA1P0](#) [XTCLH16M384THJA2P0](#) [XTCLH20M000CHJA0P0](#) [XTCLH30M720THJA0P0](#) [NT2016SA-26.000000MHZ-NBG2](#) [SIT1552AI-JE-DCC-32.768E](#) [SIT1566AI-JE-18E-32.768E](#) [SIT1552AI-JF-DCC-32.768D](#) [SIT1566AI-JV-18E-32.768E](#) [SIT5000AICGE-33N0-25.000000X](#) [SiT5021AI-2BE-33VQ200.000000X](#) [SiT5155AI-FK-33E0-10.000000X](#) [SiT5155AI-FK-33E0-20.000000X](#) [SiT5155AI-FK-33VT-10.000000X](#) [SiT5156AI-FK-33E0-25.000000X](#) [SiT5157AI-FK-33N0-100.000000X](#) [7Q16300001](#) [7L-38.400MDG-T](#) [LFTCXO075792](#) [LFTCXO075797](#) [LFPTXO000009Bulk](#) [LFPTXO000316Bulk](#) [SiT5000AICGE-33E0-25.000000X](#) [SiT1568AI-JE-DCC-32.768E](#) [SiT1552AI-JF-DCC-32.768E](#)