

Description

The PAM8010 is a 3W, Class-D audio amplifier with headphone amplifier. Advanced 64-step DC volume control minimizes external components and allows speaker volume control and headphone volume control.

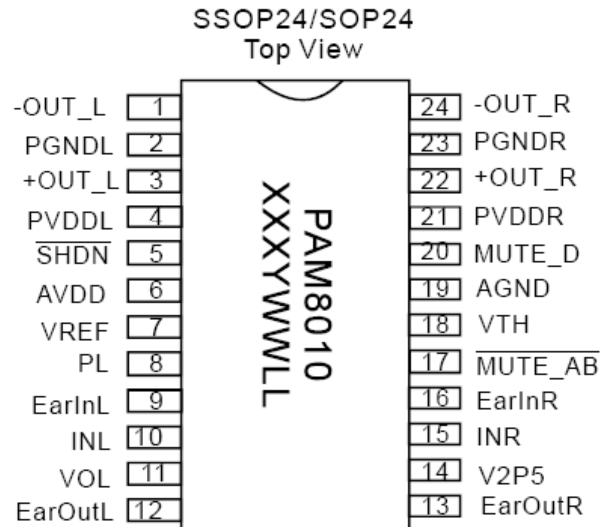
Integrated power limit technology which suppresses the output signal clip automatically due to the over level input signal. It offers low THD+N to produce high-quality sound reproduction.

PAM8010 has an additional noise reduction circuit which achieves 12dB noise attenuation. This circuit may help eliminate external filtering, thereby saving the board space and component cost.

The PAM8010 features SCP (short circuit protection), OTP and thermal shutdown.

The PAM8010 is available in SSOP-24 and SOP-24 package.

Pin Assignments



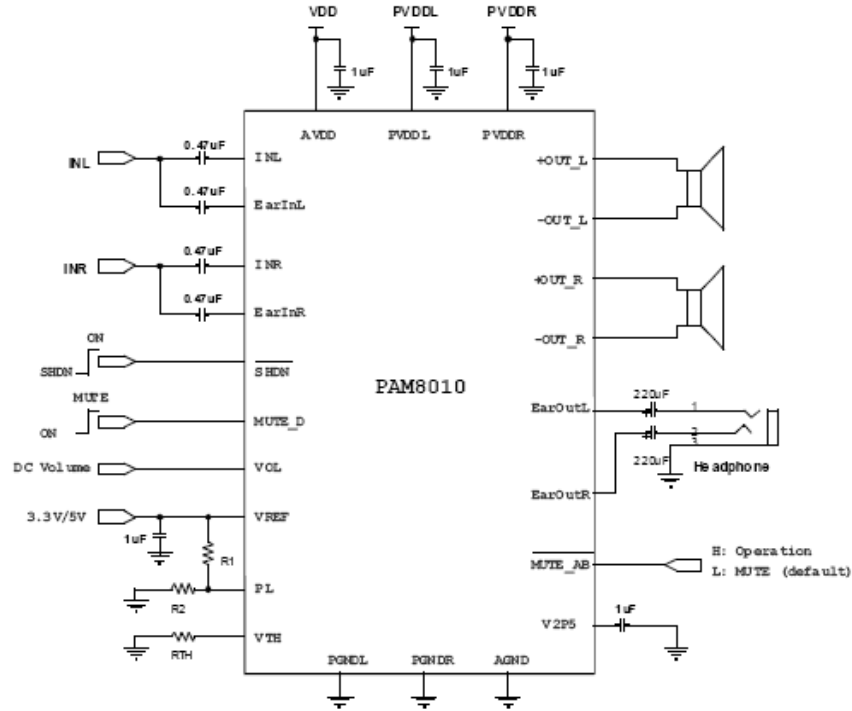
Features

- 3W Output at 10% THD with a 4 Load and 5V Power Supply
- Filterless, Low Quiescent Current and Low EMI
- Low THD+N
- Power Limit Function to Protect Speaker when Occuring Large Input, 5% Power Limit Accuracy
- 64-Step DC Volume Control from -45dB to +24dB
- Headphone Output Function
- 12dB Effective Noise Reduction
- Superior Low Noise: 30uV
- Minimize Pop/Clip Noise
- High Efficiency up to 90%
- Auto Recovery Short Circuit Protection
- Thermal Shutdown
- Pb-Free Package

Applications

- LCD Monitors / TV Projectors
- Notebook/All-in-one Computers
- Portable Speakers
- Portable DVD Players, Game Machines

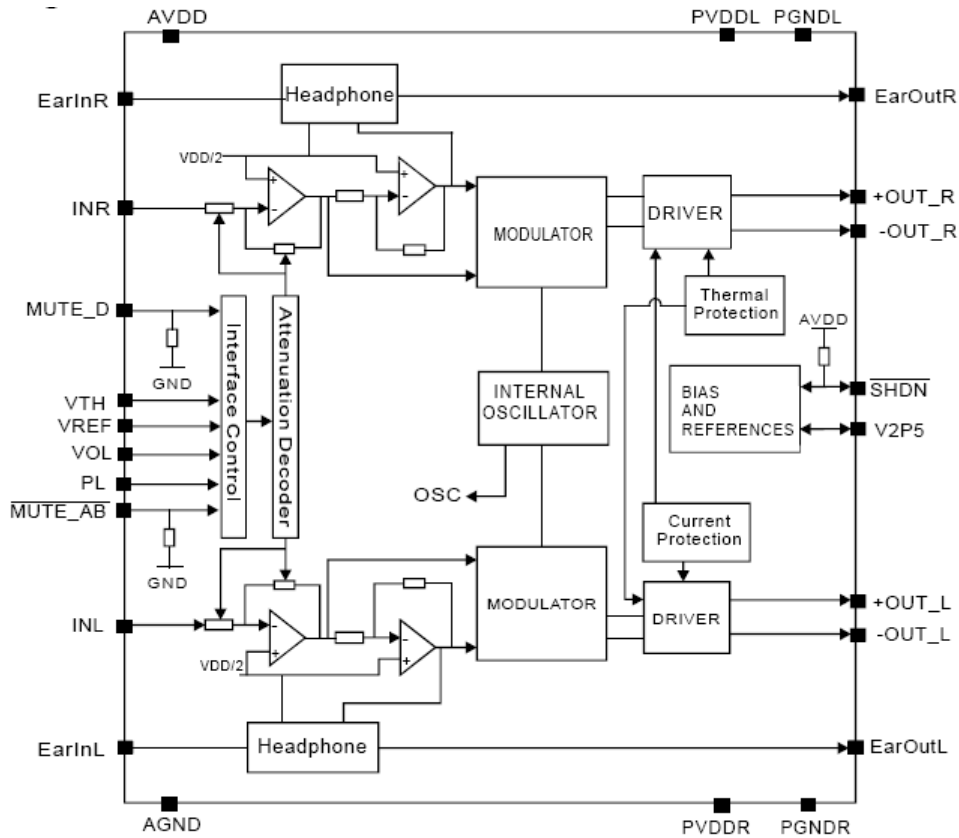
Typical Applications Circuit



Pin Descriptions

Pin Number	Pin Name	Function
1	-OUT_L	Left Channel Negative Output
2	PGNDL	Left Channel Power GND
3	+OUT_L	Left Channel Positive Output
4	PVDDL	Left Channel Power Supply
5	SHDN	Full Chip Shutdown Control Input (active low), Pull-Up
6	AVDD	Analog VDD
7	VREF	Reference Voltage Both for DC Volume Control and Power Limit Section
8	PL	Connect a Resistor Divider from VREF to GND for Power Limit Setting
9	EAR IN L	Left Earphone Input
10	INL	Left Channel Input
11	VOL	Apply DC Voltage at this Pin Set the Gain Both of Class-D and Class-AB
12	EAR OUT L	Left Earphone Output (Non-Inverting)
13	EAR OUT R	Right Earphone Output(Non-Inverting)
14	V2P5	Internal Analog Reference, Connect a Bypass Capacitor from V2P5 to GND
15	IN R	Right Channel Input
16	EAR IN R	Right Earphone Input
17	MUTE_AB	Mute Control of Class-AB Section (active low), Pull-Up
18	VTH	Connect a Resistor from VTH to GND for Noise Threshold Setting
19	AGND	Analog GND
20	MUTE_D	Mute Control of Class-D Section (active high), Pull-Up
21	PVDDR	Right Channel Power Supply
22	+OUT_R	Right Channel Positive Output
23	PGNDR	Right Channel Power GND
24	-OUT_R	Right Channel Negative Output

Functional Block Diagram



Absolute Maximum Ratings (@T_A = +25°C, unless otherwise specified.)

These are stress ratings only and functional operation is not implied. Exposure to absolute maximum ratings for prolonged time periods may affect device reliability. All voltages are with respect to ground.

Parameter	Rating	Unit
Supply Voltage	6.0	V
Input Voltage	-0.3 to V _{DD} +0.3	
Operation Junction Temperature	-40 to +125	°C
Storage Temperature	-65 to +150	
Soldering Temperature	300, 5 sec	

Recommended Operating Conditions (@T_A = +25°C, unless otherwise specified.)

Parameter	Rating	Unit
Supply Voltage Range	2.5 to 5.5	V
Ambient Temperature Range	-20 to +85	°C
Junction Temperature Range	-20 to +125	°C

Thermal Information

Parameter	Package	Symbol	Max	Unit
Thermal Resistance (Junction to Ambient)	SSOP-24	θ_{JA}	96	°C/W
	SOP-24		79.2	

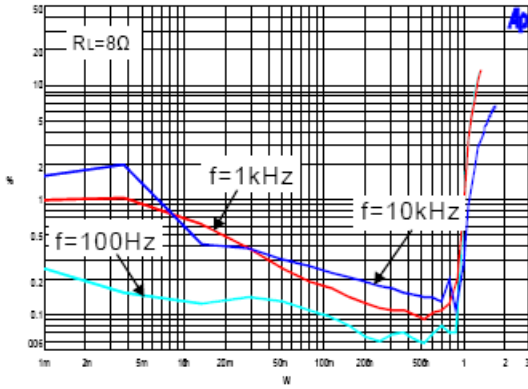
Electrical Characteristics (@T_A = +25°C, V_{DD} = 5V, Gain = Maximum, R_L = 8Ω, unless otherwise specified.)

Parameter	Symbol	Test Conditions	Min	Typ	Max	Units
Class D Stage						
Supply Voltage Range	V _{DD}		2.5		5.5	V
Quiescent Current	I _Q	No Load		10	15	mA
Output Offset Voltage	V _{OS}	No Load		10	30	mV
Drain-Source On-State Resistance	R _{DS(ON)}	I _{DS} = 0.5A	P MOSFET	0.21		Ω
			N MOSFET	0.17		
Output Power	P _O	THD+N = 10% f = 1kHz	R _L = 8Ω	1.55	1.70	W
			R _L = 4Ω	2.85	3.0	
Total Harmonic Distortion Plus Noise	THD+N	R _L = 8Ω, P _O = 0.85W, f = 1kHz		0.08		%
		R _L = 4Ω, P _O = 1.75W, f = 1kHz		0.08		
Power Supply Ripple Rejection	PSRR	Input AC-GND, f = 1kHz, V _{PP} = 200mV		70		dB
Channel Separation	CS	P _O = 1W, f = 1kHz		-95		dB
Oscillator Frequency	f _{OSC}		200	250	300	kHz
Efficiency	η	P _O = 1.7W, f = 1 kHz, R _L = 8Ω	85	90		%
		P _O = 3.0W, f = 1 kHz, R _L = 4Ω	80	83		%
Noise	V _N	Input AC-GND	A-Weighting	60		μV
			No A-Weighting	80		
Signal Noise Ratio	SNR	f = 20 – 20kHz, THD = 1%		95		dB
Earphone Stage						
Output Offset Voltage	V _{OS}	No Load	2.45	2.50	2.55	V
Output Power	P _O	THD+N = 1%, R _L = 32Ω, f = 1kHz		60		mW
Total Harmonic Distortion Plus Noise	THD+N	R _L = 32Ω, P _O = 10mW, f = 1kHz		0.02		%
Power Supply Ripple Rejection	PSRR	Input AC-GND, f = 1kHz, V _{PP} = 200mV		80		dB
Channel Separation	CS	V _O = 1V _{RMS} , f = 1kHz		-95		dB
Noise	V _N	Input AC-GND	A-Weighting	20		μV
			No A-Weighting	35		
Signal Noise Ratio	SNR	f = 20 – 20kHz, THD = 1%		95		dB
Control Section						
Mute Current	I _{MUTE}	MUTE_D = V _{DD} , MUTE_AB = GND		7	10	mA
Mute Class-D Earphone Current	I _{MUTE_D}	MUTE_D = V _{DD} , MUTE_AB = GND		7	10	mA
Mute Class AB Earphone Current	I _{MUTE_AB}	MUTE_D = V _{DD} , MUTE_AB = GND		9	10	mA
Shutdown Current	I _{SHDN}	V _{SHDN} = 0V			1	μA
Logic Input High	V _{IH}		1.4			V
Logic Input Low	V _{IL}				0.6	
Over Temperature Protection	OTP			150		°C
Over Temperature Hysteresis	OTH			40		°C

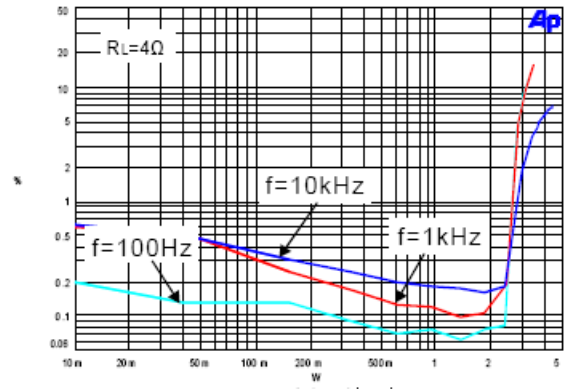
Typical Performance Characteristics (@ $T_A = +25^\circ\text{C}$, $V_{DD} = 5\text{V}$, $R_L = 8\Omega$, $G_V = 24\text{dB}$, unless otherwise specified.)

Class-D Output

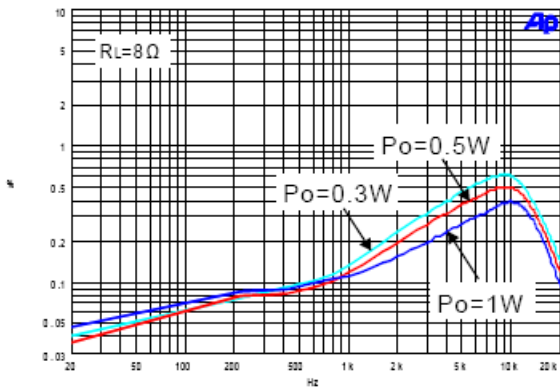
1. THD+N vs Output Power



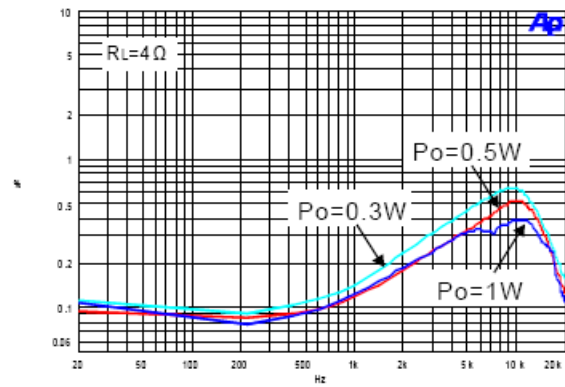
2. THD+N vs Output Power



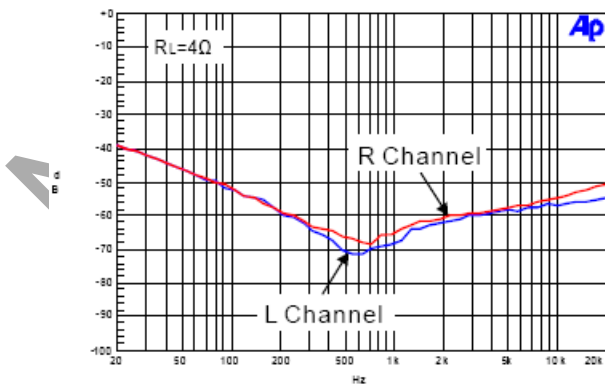
3. THD+N vs Frequency



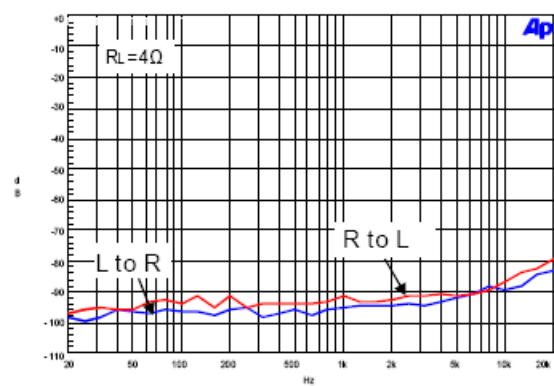
4. THD+N vs Frequency



5. PSRR vs Frequency



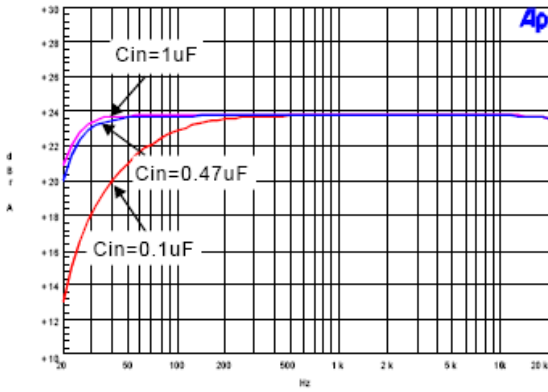
6. Crosstalk vs Frequency



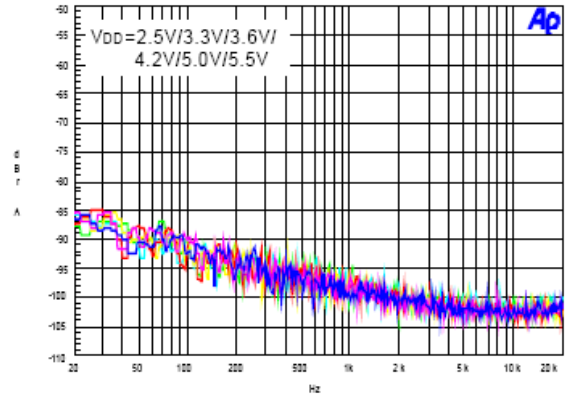
Typical Performance Characteristics (cont.) (@ $T_A = +25^\circ\text{C}$, $V_{DD} = 5\text{V}$, $R_L = 8\Omega$, $G_V = 24\text{dB}$, unless otherwise specified.)

Class-D Output

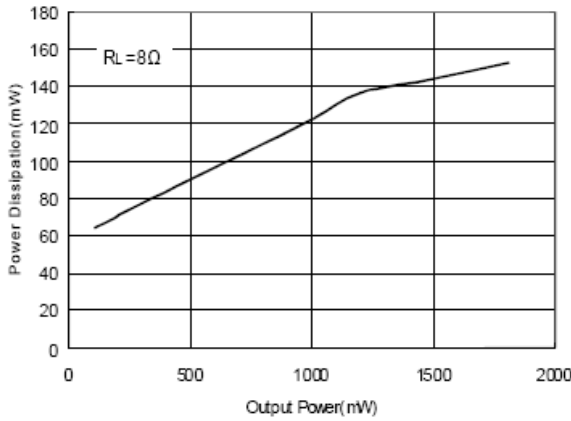
7. Frequency Response



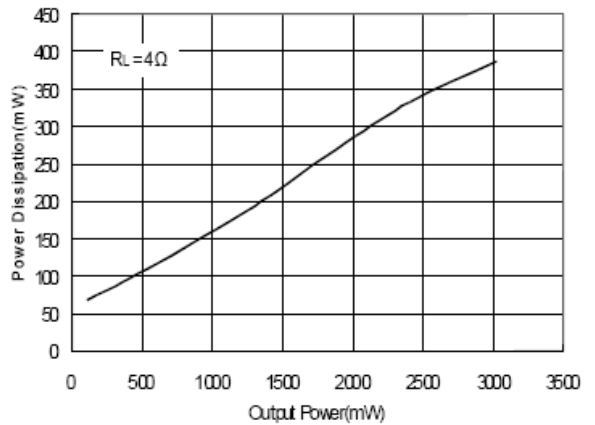
8. Noise Floor



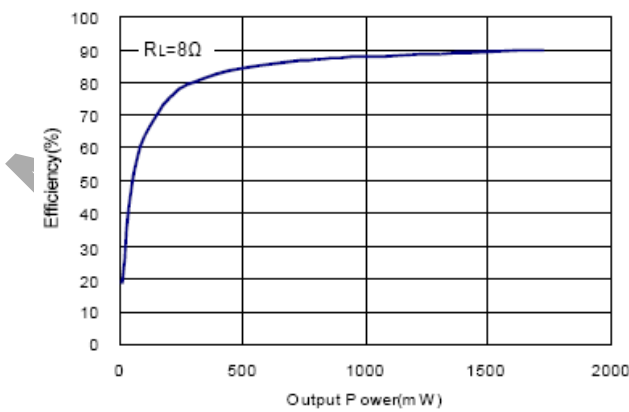
9. Power Dissipation vs Output Power



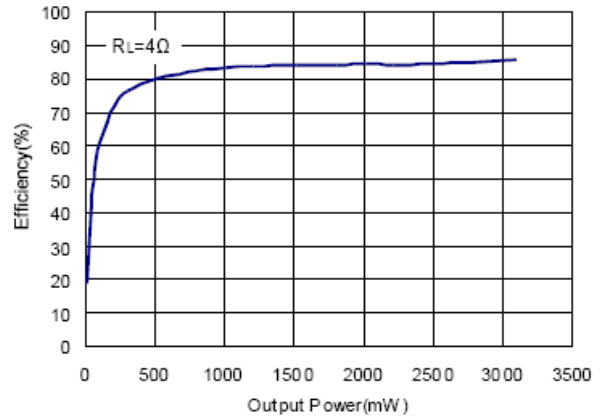
10. Power Dissipation vs Output Power



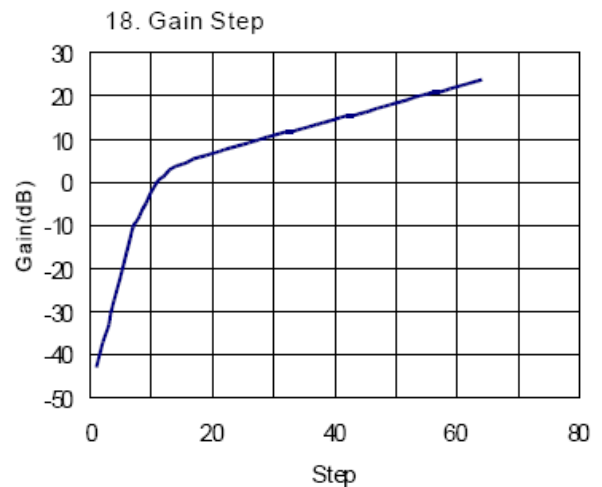
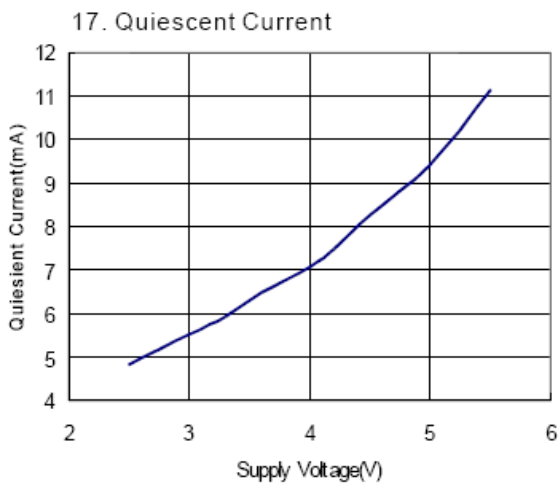
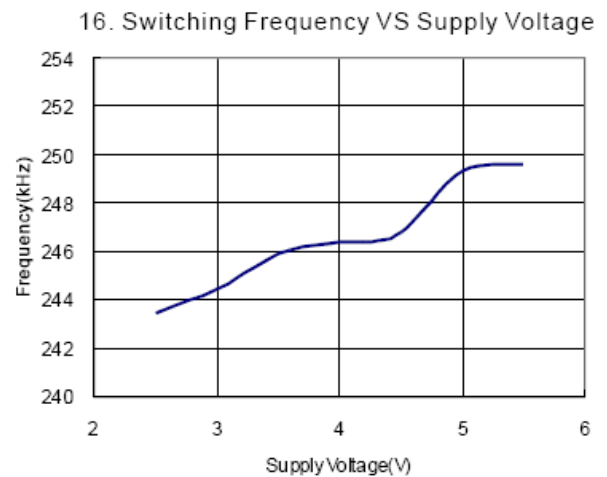
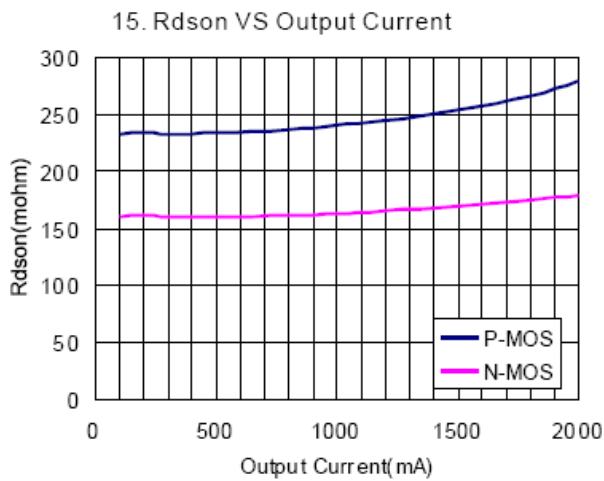
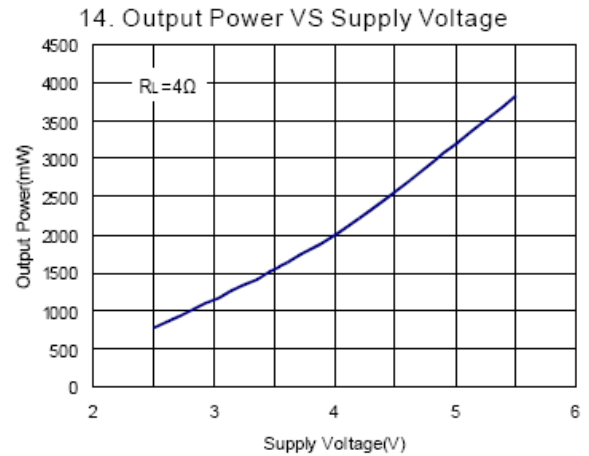
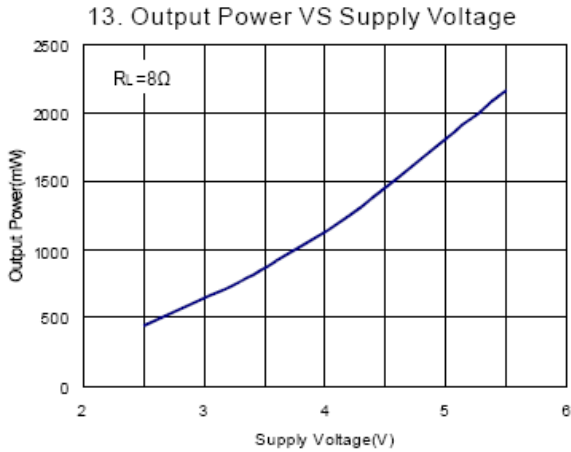
11. Efficiency VS Output Power



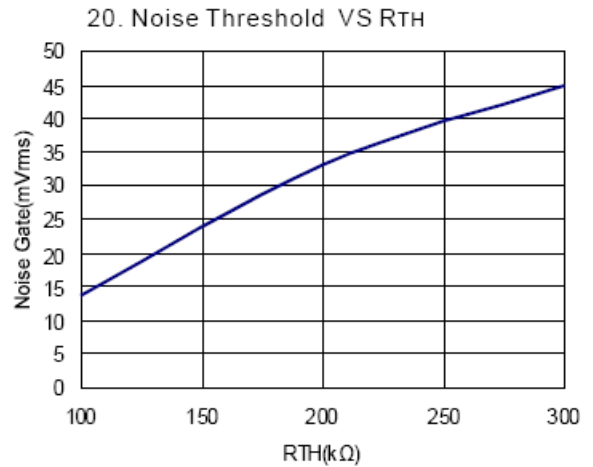
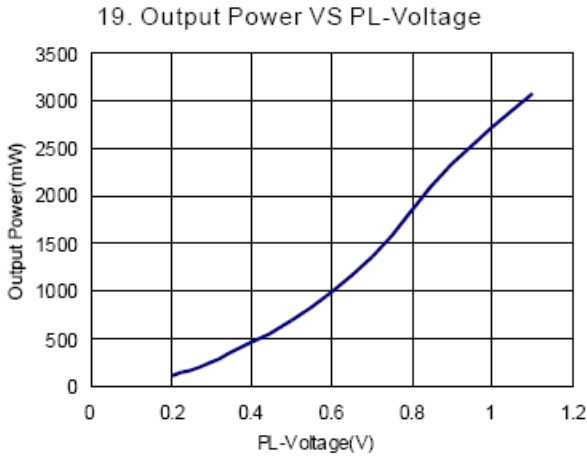
12. Efficiency VS Output Power



Typical Performance Characteristics (cont.) (@T_A = +25°C, unless otherwise specified.)



Typical Performance Characteristics (cont.) (@T_A = +25°C, unless otherwise specified.)

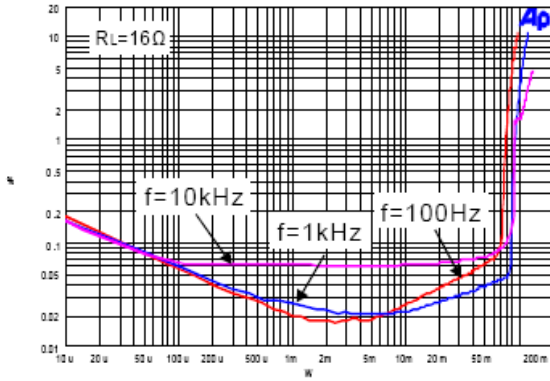


NOT RECOMMENDED FOR NEW DESIGN

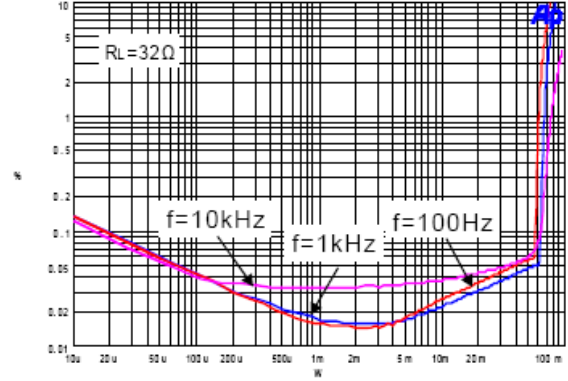
Typical Performance Characteristics (cont.) (@T_A = +25°C, V_{DD} = 5V, G_V = 10dB, unless otherwise specified.)

Earphone Output

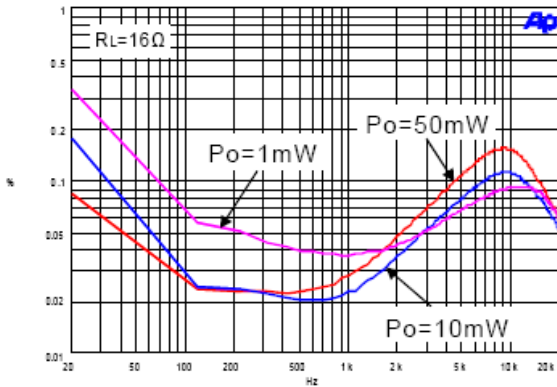
1. THD+N vs Output Power



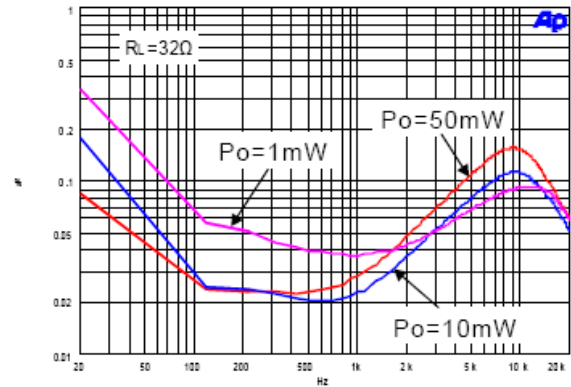
2. THD+N vs Output Power



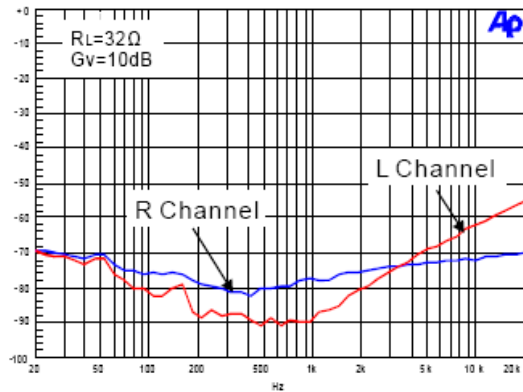
3. THD+N vs Frequency



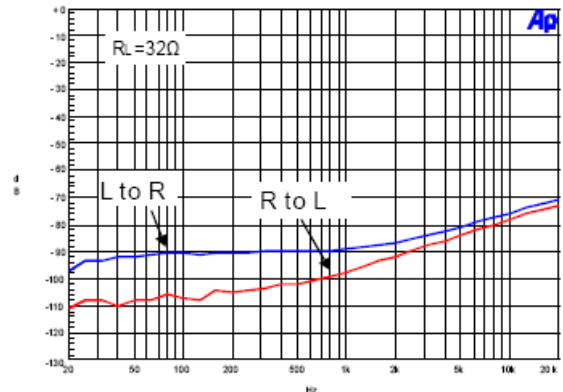
4. THD+N vs Frequency



5. PSRR vs Frequency

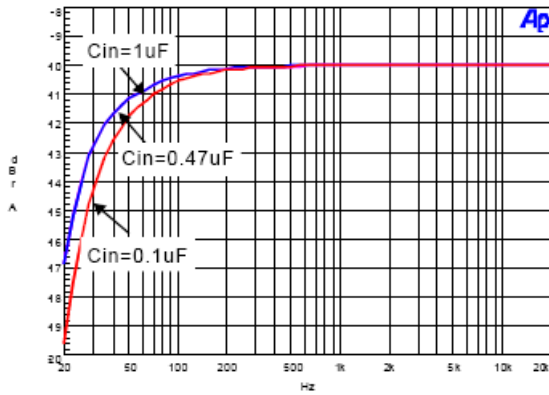


6. Crosstalk vs Frequency

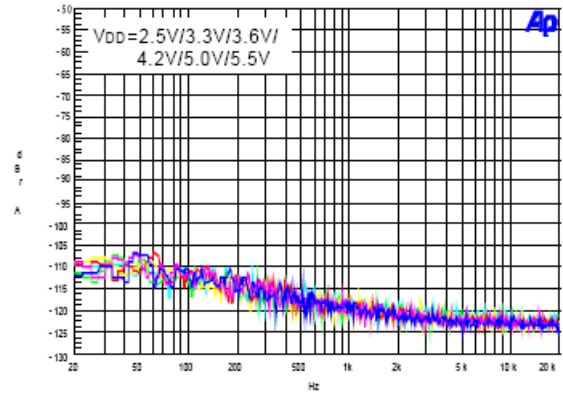


Typical Performance Characteristics (cont.) (@ $T_A = +25^\circ\text{C}$, $C_{IN} = 10\mu\text{F}$, $C_O = 10\mu\text{F}$, $L = 4.7\mu\text{H}$, unless otherwise specified.)

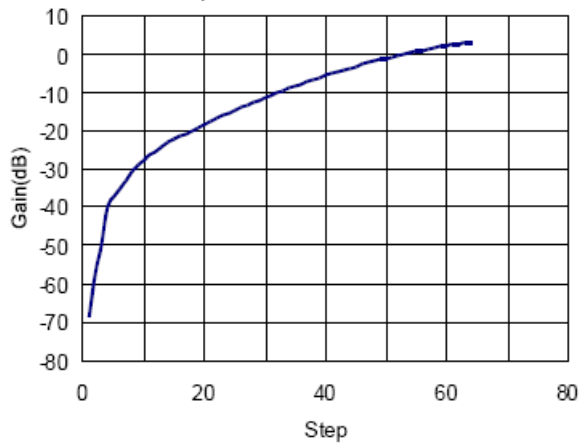
7. Frequency Response



8. Noise Floor



9. Gain Step



Typical Performance Characteristics (cont.) (@T_A = +25°C, unless otherwise specified.)

Table 1. DC Volume Control

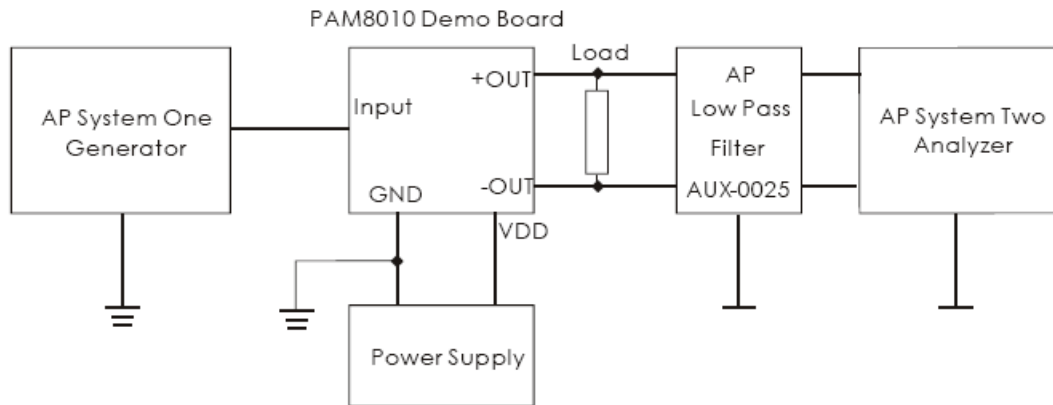
STEP	Gain (dB) Class D	Gain (dB) Earphone		STEP	Gain (dB) Class D	Gain (dB) Earphone
1	-43.1	-68.5		33	11.9	-9.6
2	-37.2	-57.4		34	12.2	-9.0
3	-34.3	-49.7		35	12.7	-8.5
4	-27.7	-39.8		36	13.0	-7.9
5	-22.1	-37.4		37	13.4	-7.3
6	-16.3	-35.2		38	13.8	-6.7
7	-10.3	-33.1		39	14.2	-6.2
8	-7.8	-30.8		40	14.6	-5.7
9	-5.2	-28.7		41	15.0	-5.2
10	-2.7	-27.7		42	15.4	-4.7
11	0.2	-26.6		43	15.5	-4.2
12	1.3	-25.5		44	15.8	-3.7
13	2.8	-24.3		45	16.2	-3.2
14	3.8	-23.2		46	16.6	-2.7
15	4.2	-22.4		47	17.0	-2.3
16	4.6	-21.6		48	17.4	-1.9
17	5.4	-20.8		49	17.8	-1.5
18	5.8	-20.0		50	18.2	-1.1
19	6.2	-19.2		51	18.6	-0.7
20	6.6	-18.4		52	19.0	-0.32
21	7.0	-17.6		53	19.4	0.09
22	7.4	-16.7		54	19.8	0.4
23	7.8	-16.1		55	20.2	0.7
24	8.2	-15.4		56	20.6	0.97
25	8.6	-14.7		57	21.0	1.3
26	9.0	-14.1		58	21.4	1.6
27	9.4	-13.4		59	21.9	1.9
28	9.8	-12.7		60	22.2	2.2
29	10.3	-12.1		61	22.6	2.35
30	10.5	-11.4		62	23.1	2.6
31	11.0	-10.8		63	23.5	2.8
32	11.5	-10.2		64	23.9	3.0

NOT RECOMMENDED FOR NEW DESIGN

Application Information

Test Setup for Performance Testing (Class D)

1. When the PAM8010 works with LC filters, it should be connected with the speaker before it's powered on, otherwise it will be damaged easily.
2. When the PAM8010 works without LC filters, it's better to add a ferrite chip bead at the outgoing line of speaker for suppressing the possible electromagnetic interference.
3. The absolute maximum rating of the PAM8010 operation voltage is 6.0V. When the PAM8010 is powered with four battery cells, it should be noted that the voltage of four new dry or alkaline batteries is over 6V, higher than its maximum operation voltage, which probably make the device damaged. Therefore, it's recommended to use either four Ni-MH (Nickel Metal Hydride) rechargeable batteries or three dry or alkaline batteries.
4. The input signal should not be too high, if too high, it will cause the clipping of output signal when increasing the volume. Because the DC volume control of the PAM8010 has big gain, it will make the device damaged.
5. When testing the PAM8010 without LC filters by using resistor instead of speaker as the output load, the test results, e.g. THD or efficiency, will be worse than those using speaker as load.



- Notes:
1. The Audio Precision (AP) AUX-0025 low pass filter is necessary for class-D amplifier measurement with AP analyzer.
 2. Two 22 μ H inductors are used in series with load resistor to emulate the small speaker for efficiency measurement.

Power Limit Function

The maximum output power of Class D section is set by applying a DC voltage at PL pin add a resistor divider from AV_{DD} (Pin 6) to ground to set the voltage at the PL pin. An external reference may also be used at V_{REF} (Pin 7) if tighter tolerance is required. Also add a 1 μ F capacitor from Pin 7 to ground (see the application circuit on Page 1).

Different from other company's power limit, the power limit circuit of PAM8010 sets a limit on the output peak voltage, and the value is lower than the half supply voltage (PV_{DD}) makes the PAM8010 never clipping, it means THD+N always lower than 1% when power limit works.

Noise Reduction Function

The gain of PAM8010 will reduce 12dB when there is no audio at the input of the amplifier for 8s. The gain will recovered until the input signal is above the noise threshold which is set at V_{TH} (Pin 18) and the noise threshold is set by an external resistor from V_{TH} to ground.

Mute Operation

The MUTE_D pin is an input for controlling the Class-D output state of the PAM8010. A logic low on this pin enables the outputs, and a logic high on this pin disables the outputs. This pin may be used as a quick disable or enable of the outputs without a volume fade. Quiescent current is listed in the electronics characteristics table. The MUTE_D pin can be left floating due to the internal pull-down.

The MUTE_AB pin is an input for controlling the Class-AB output state of the PAM8010. A logic high on this pin enables the outputs, and a logic low on this pin disables the outputs.

Shutdown Operation

In order to reduce power consumption while not in use, the PAM8010 contains shutdown circuitry to turn off the amplifier's bias circuitry. The amplifier is turned off when logic low is placed on the SHDN pin. By switching the SHDN pin connected to GND, the PAM8010 supply current draw will be minimized in idle mode. The SHDN pin can be left floating due to the internal pull-up.

For the best power on/off pop performance, the amplifier should be placed in the Mute mode prior to turning on/off the power supply.

Application Information

Power Supply Decoupling

The PAM8010 is a high performance CMOS audio amplifier that requires adequate power supply decoupling to ensure the output THD and PSRR are as low as possible. Power supply decoupling affects low frequency on the power supply leads for higher frequency response. Optimum decoupling is achieved by using two capacitors of different types that target different types of noise frequency transients, spike, or digital hash on the line, a good low equivalent-series-resistance (ESR) ceramic capacitor, typically 1.0µF, placed as close as possible to the device V_{DD} terminal works best. For filtering lower-frequency noise signals, a large capacitor of 10µF (ceramic) or greater placed near the audio power amplifier is recommended.

Input Capacitor (C_i)

Large input capacitors are both expensive and space hungry for portable designs. Clearly, a certain sized capacitor is needed to couple in low frequencies without severe attenuation. But in many cases the speakers used in portable systems, whether internal or external, have little ability to reproduce signals below 100Hz to 150Hz. Thus, using a large input capacitor may not increase actual system performance. In this case, input capacitor (C_i) and input resistance (R_i) of the amplifier form a high-pass filter with the corner frequency determined equation below,

$$f_c = \frac{1}{2\pi R_i C_i}$$

In addition to system cost and size, click and pop performance is affected by the size of the input coupling capacitor, C_i. A larger input coupling capacitor requires more charge to reach its quiescent DC voltage (nominally ½ V_{DD}). This charge comes from the internal circuit via the feedback and is apt to create pops upon device enable. Thus, by minimizing the capacitor size based on necessary low frequency response, turn-on pops can be minimized.

Analog Reference Bypass Capacitor (C_{BYP})

Analog Reference Bypass Capacitor (C_{BYP}) is the most critical capacitor and serves several important functions. During start-up or recovery from shutdown mode, C_{BYP} determines the rate at which the amplifier starts up. The second function is to reduce noise produced by the power supply caused by coupling into the output drive signal.

Over Temperature Protection

Thermal protection on the PAM8010 prevents the device from damage when the internal die temperature exceeds +150°C. There is a 15 degree tolerance on this point from device to device. Once the die temperature exceeds the thermal set point, the device outputs are disabled. This is not a latched fault. The thermal fault is cleared once the temperature of the die is reduced by +40°C. This large hysteresis will prevent motor boating sound well. The device begins normal operation at this point without external system interaction. Before thermal shutdown, gain of the PAM8010 will drop -3dB when the chip temperature reaches +120°C.

How to Reduce EMI (Electro Magnetic Interference)

A simple solution is to put an additional capacitor 1000µF at power supply terminal for power line coupling if the traces from amplifier to speakers are short (< 20CM). Most applications require a ferrite bead filter as shown at Figure 1. The ferrite filter reduces EMI around 1MHz and higher. When selecting a ferrite bead, choose one with high impedance at high frequencies, and low impedance at low frequencies (MH2012HM221-T).

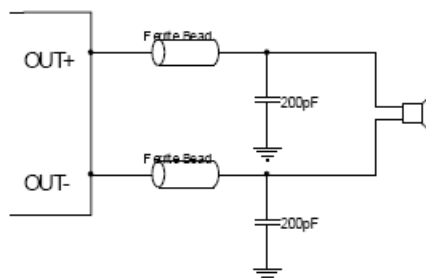


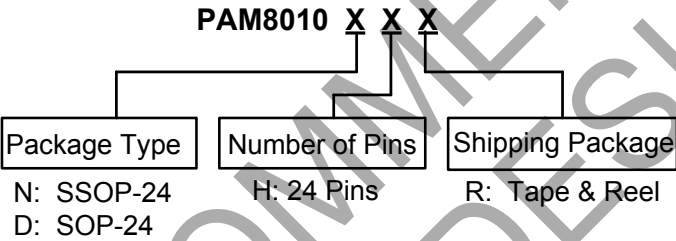
Figure 1. Ferrite Bead Filter to Reduce EMI

Application Information (cont.)

PCB Layout Guidelines Grounding

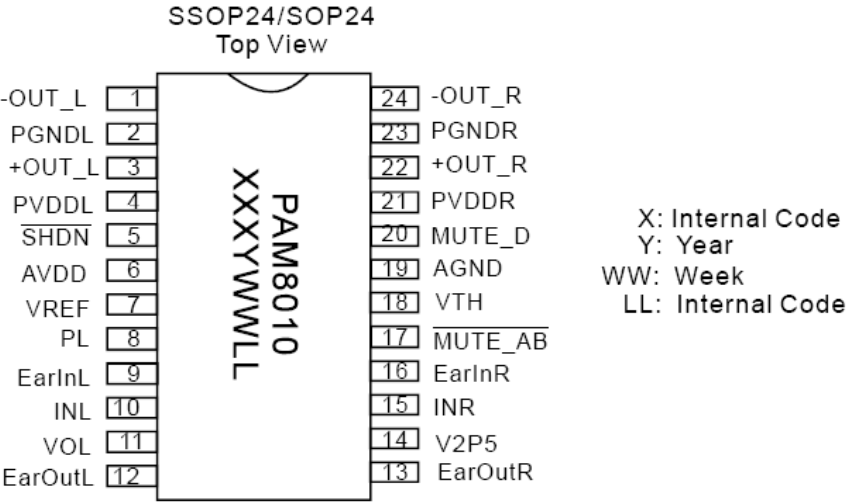
At this stage it is paramount to notice the necessity of separate grounds. Noise currents in the output power stage need to be returned to output noise ground and nowhere else. Were these currents to circulate elsewhere, they may get into the power supply, the signal ground, etc, worse yet, they may form a loop and radiate noise. Any of these cases results in degraded amplifier performance. The logical returns for the output noise currents associated with Class-D switching are the respective PGND pins for each channel. The switch state diagram illustrates that PGND is instrumental in nearly every switch state. This is the perfect point to which the output noise ground trace should return. Also note that output noise ground is channel specific. A two channel amplifier has two separate channels and consequently must have two separate output noise ground traces. The layout of the PAM8010 offers separate PGND connections for each channel and in some cases each side of the bridge. Output noise grounds must be tied to system ground at the power in exclusively. Signal currents for the inputs, reference, etc need to be returned to quite ground. This ground is only tied to the signal components and the GND pin, and GND then tied to system ground.

Ordering Information



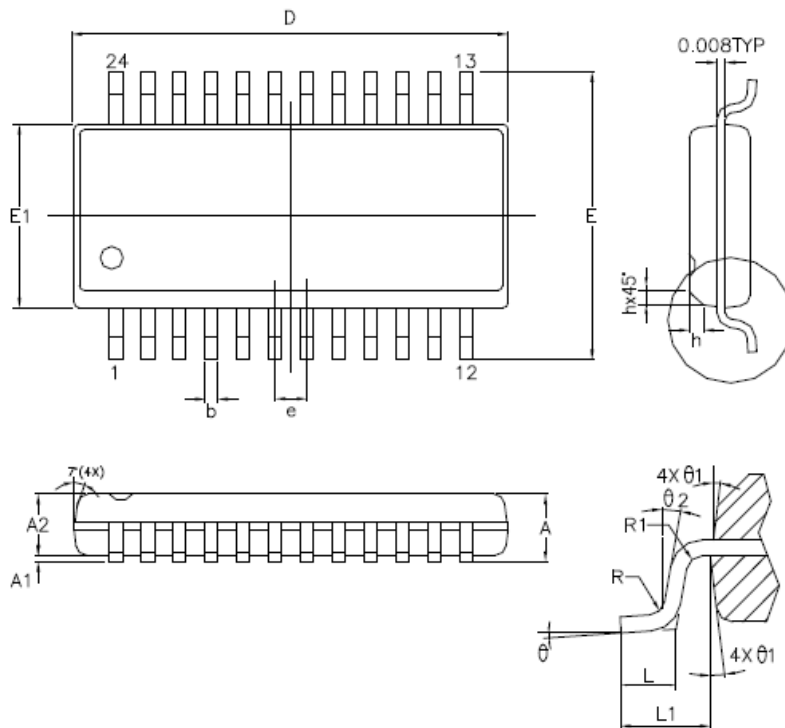
Part Number	Package Type	Standard Package
PAM8010NHR	SSOP-24	2500 Units/Tape&Reel
PAM8010DHR	SOP-24	1000 Units/Tape&Reel

Marking Information



Package Outline Dimensions (All dimensions in mm.)

SSOP-24



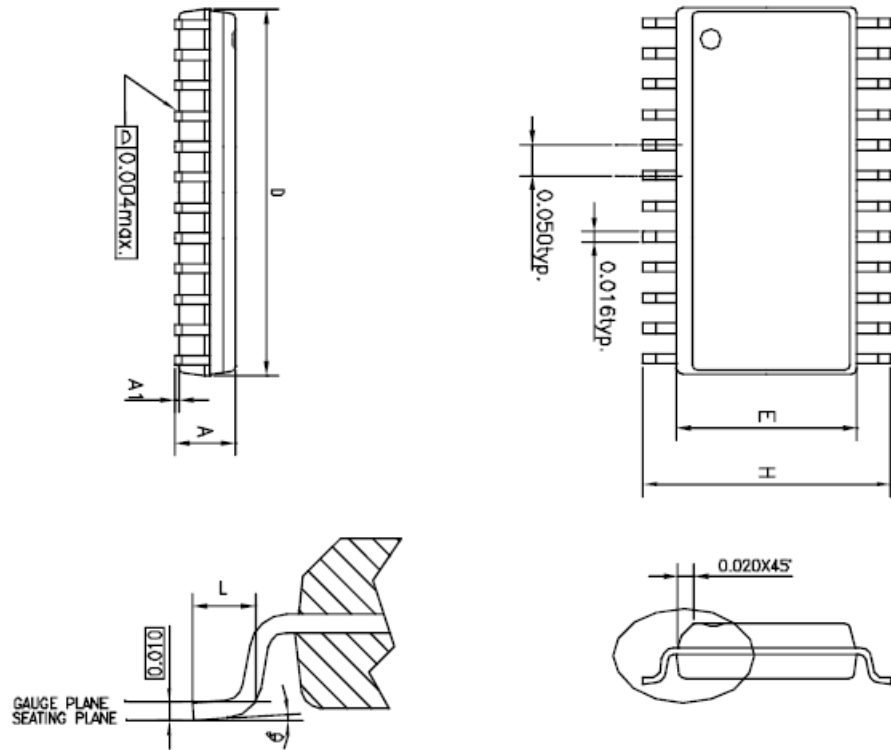
SYMBOLS	MIN.	NOM.	MAX.
A	0.053	0.061	0.069
A1	0.004	—	0.010
A2	0.049	0.057	0.065
b	0.008	0.010	0.012
D	0.335	0.341	0.347
E	0.228	0.236	0.244
E1	0.150	0.154	0.158
e	—	0.025	—
L	0.016	0.033	0.050
L1	0.041 REF		
R	0.003	—	—
R1	0.003	—	—
h	0.010	0.015	0.020
θ	0°	4°	8°
θ_1	5°	10°	15°
θ_2	0°	—	—

UNIT : INCH

NOT REC
FOR NEW

Package Outline Dimensions (cont.) (All dimensions in mm.)

SOP-24



SYMBOLS	MIN.	NOM	MAX.
A	0.093	0.099	0.104
A1	0.004	-	0.012
D	0.599	0.600	0.614
E	0.291	0.295	0.299
H	0.394	0.406	0.419
L	0.016	0.035	0.050
θ°	0	-	8

UNIT : INCH

NOTES:

1. JEDEC OUTLINE : MS-013 AD
2. DIMENSIONS "D" DOES NOT INCLUDE MOLD FLASH, PROTRUSIONS OR GATE BURRS. MOLD FLASH, PROTRUSIONS AND GATE BURRS SHALL NOT EXCEED .15mm (.006in) PER SIDE.
3. DIMENSIONS "E" DOES NOT INCLUDE INTER-LEAD FLASH, OR PROTRUSIONS. INTER-LEAD FLASH AND PROTRUSIONS SHALL NOT EXCEED .25mm (.010in) PER SIDE.

IMPORTANT NOTICE

1. DIODES INCORPORATED AND ITS SUBSIDIARIES (“DIODES”) MAKE NO WARRANTY OF ANY KIND, EXPRESS OR IMPLIED, WITH REGARDS TO ANY INFORMATION CONTAINED IN THIS DOCUMENT, INCLUDING, BUT NOT LIMITED TO, THE IMPLIED WARRANTIES OF MERCHANTABILITY, FITNESS FOR A PARTICULAR PURPOSE OR NON-INFRINGEMENT OF THIRD PARTY INTELLECTUAL PROPERTY RIGHTS (AND THEIR EQUIVALENTS UNDER THE LAWS OF ANY JURISDICTION).
2. The Information contained herein is for informational purpose only and is provided only to illustrate the operation of Diodes products described herein and application examples. Diodes does not assume any liability arising out of the application or use of this document or any product described herein. This document is intended for skilled and technically trained engineering customers and users who design with Diodes products. Diodes products may be used to facilitate safety-related applications; however, in all instances customers and users are responsible for (a) selecting the appropriate Diodes products for their applications, (b) evaluating the suitability of the Diodes products for their intended applications, (c) ensuring their applications, which incorporate Diodes products, comply the applicable legal and regulatory requirements as well as safety and functional-safety related standards, and (d) ensuring they design with appropriate safeguards (including testing, validation, quality control techniques, redundancy, malfunction prevention, and appropriate treatment for aging degradation) to minimize the risks associated with their applications.
3. Diodes assumes no liability for any application-related information, support, assistance or feedback that may be provided by Diodes from time to time. Any customer or user of this document or products described herein will assume all risks and liabilities associated with such use, and will hold Diodes and all companies whose products are represented herein or on Diodes’ websites, harmless against all damages and liabilities.
4. Products described herein may be covered by one or more United States, international or foreign patents and pending patent applications. Product names and markings noted herein may also be covered by one or more United States, international or foreign trademarks and trademark applications. Diodes does not convey any license under any of its intellectual property rights or the rights of any third parties (including third parties whose products and services may be described in this document or on Diodes’ website) under this document.
5. Diodes products are provided subject to Diodes’ Standard Terms and Conditions of Sale (<https://www.diodes.com/about/company/terms-and-conditions/terms-and-conditions-of-sales/>) or other applicable terms. This document does not alter or expand the applicable warranties provided by Diodes. Diodes does not warrant or accept any liability whatsoever in respect of any products purchased through unauthorized sales channel.
6. Diodes products and technology may not be used for or incorporated into any products or systems whose manufacture, use or sale is prohibited under any applicable laws and regulations. Should customers or users use Diodes products in contravention of any applicable laws or regulations, or for any unintended or unauthorized application, customers and users will (a) be solely responsible for any damages, losses or penalties arising in connection therewith or as a result thereof, and (b) indemnify and hold Diodes and its representatives and agents harmless against any and all claims, damages, expenses, and attorney fees arising out of, directly or indirectly, any claim relating to any noncompliance with the applicable laws and regulations, as well as any unintended or unauthorized application.
7. While efforts have been made to ensure the information contained in this document is accurate, complete and current, it may contain technical inaccuracies, omissions and typographical errors. Diodes does not warrant that information contained in this document is error-free and Diodes is under no obligation to update or otherwise correct this information. Notwithstanding the foregoing, Diodes reserves the right to make modifications, enhancements, improvements, corrections or other changes without further notice to this document and any product described herein. This document is written in English but may be translated into multiple languages for reference. Only the English version of this document is the final and determinative format released by Diodes.
8. Any unauthorized copying, modification, distribution, transmission, display or other use of this document (or any portion hereof) is prohibited. Diodes assumes no responsibility for any losses incurred by the customers or users or any third parties arising from any such unauthorized use.

Copyright © 2020 Diodes Incorporated

www.diodes.com

X-ON Electronics

Largest Supplier of Electrical and Electronic Components

Click to view similar products for [Audio Amplifiers](#) category:

Click to view products by [Diodes Incorporated](#) manufacturer:

Other Similar products are found below :

[LV47002P-E](#) [NCP2811AFCT1G](#) [NCP2890AFCT2G](#) [SSM2377ACBZ-R7](#) [IS31AP4915A-QFLS2-TR](#) [NCP2820FCT2G](#) [TDA1591T](#)
[TDA7563AH](#) [SSM2529ACBZ-R7](#) [MAX9890AETA+T](#) [TS2012EIJT](#) [NCP2809BMUTXG](#) [NJW1157BFC2](#) [SSM2375CBZ-REEL7](#)
[IS31AP4996-GRLS2-TR](#) [STPA002OD-4WX](#) [NCP2823BFCT1G](#) [MAX9717DETA+T](#) [MAX9717CETA+T](#) [MAX9724AEBC+TG45](#)
[LA4450L-E](#) [IS31AP2036A-CLS2-TR](#) [TDA7563ASMTR](#) [AS3561-DWLT](#) [SSM2517CBZ-R7](#) [SABRE9601K](#) [THAT1646W16-U](#)
[PAM8965ZLA40-13](#) [BD37532FV-E2](#) [BD5638NUX-TR](#) [BD37512FS-E2](#) [BD37543FS-E2](#) [BD3814FV-E2](#) [TPA3140D2PWPR](#) [TS2007EIJT](#)
[IS31AP2005-DLS2-TR](#) [AS3410-EQFP-500](#) [FDA4100LV](#) [TS4994EIJT](#) [NCP2820FCT1G](#) [NCP2823AFCT2G](#) [NCS2211MNTXG](#)
[CPA2233CQ16-A1](#) [OPA1612AQDRQ1](#) [TDA7492](#) [SSM2519ACBZ-R7](#) [ZXCD1210JB16TA](#) [TPA3255DDVR](#) [TAS5722LRSMT](#)
[NCP2823AFCCT2G](#)