

NOT RECOMMENDED FOR NEW DESIGN
USE [PAM8408](#)



2x3W Stereo Differential Input Class D Audio Amplifier with Up/Down Volume Control

PAM8407

Description

The PAM8407 is a filter-less Class-D amplifier with high SNR and differential input that helps eliminate noise. Advanced 32-step Up/Down volume control minimizes external components and allows speaker volume control.

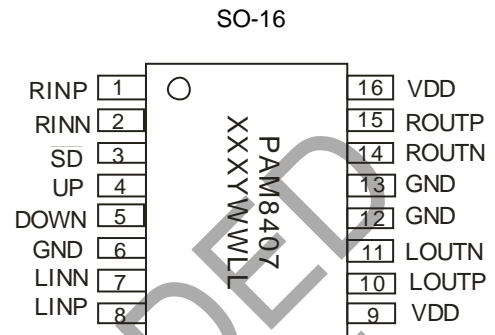
The PAM8407 supports 2.5V to 6V operation make it idea for up to 4 cells alkaline battery applications.

Features like greater than 87% efficiency and small PCB area make the PAM8407 Class-D amplifier ideal for portable applications. The output uses a filter-less architecture minimizing the number of external components and PCB area whilst providing a high performance, simple and lower cost system.

The PAM8407 built in auto recovery SCP (short circuit protection) and thermal shutdown.

The PAM8407 is available in SO-16 package.

Pin Assignments



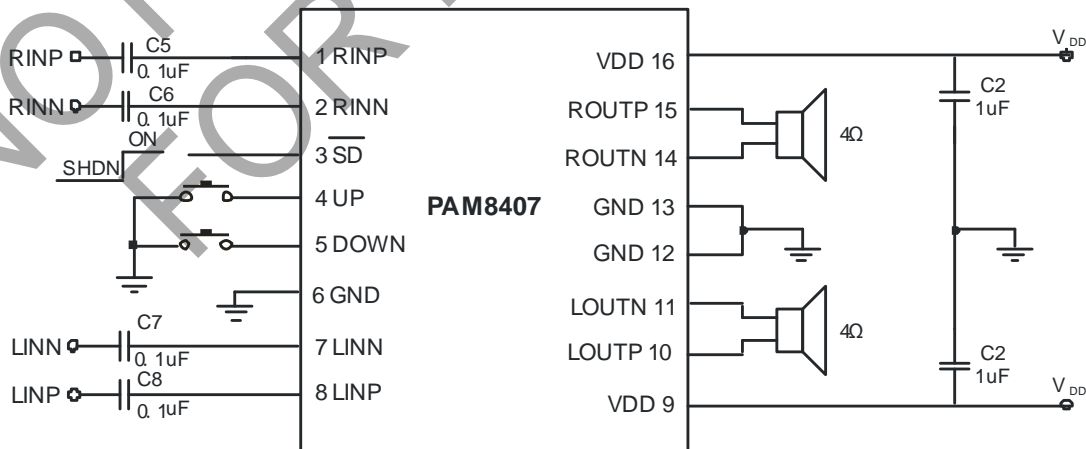
Features

- 3W Output at 10% THD with a 4Ω load and 5V Supply
- 2.4W Output at 1% THD with a 4Ω Load and 5V Supply
- 2.5V to 6.0V VDD Operating
- Fully Differential Input
- Filterless, Low Quiescent Current and Low EMI
- Low THD+N
- 32-step Up/Down Volume Control from -80dB to 24dB
- Superior Low Noise: 60uV
- Minimize Pop/Clip Noise
- Auto Recovery Short Circuit Protection
- Thermal Shutdown
- Pb-Free SO-16 Package

Applications

- PC Speaker
- Wireless Speaker
- Home Sound Systems
- Active Speakers
- Docking stations

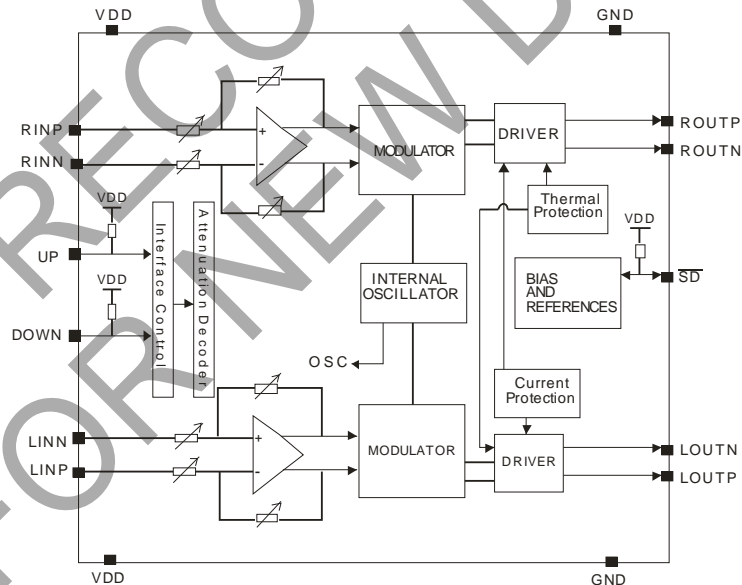
Typical Applications Circuit



Pin Descriptions

PIN Number	PIN Name	Description
1	RINP	Positive Input of Right Channel Power Amplifier.
2	RINN	Negative Input of Right Channel Power Amplifier.
3	SD	Full Chip Shutdown Control Input (active low).
4	UP	Volume UP Control (active low)Ground Connection.
5	DOWN	Volume down Control (active low)
6,12,13	GND	Ground.
7	LINN	Negative Input of Left Channel Power Amplifier.
8	LINP	Positive Input of Left Channel Power Amplifier.
9,16	VDD	Power Supply.
10	LOUTP	Positive Output of Left Channel Power Amplifier.
11	LOUTN	Negative Output of Left Channel Power Amplifier.
14	ROUTN	Negative Output of Right Channel Power Amplifier.
15	ROUTP	Positive Output of Right Channel Power Amplifier.

Functional Block Diagram



Absolute Maximum Ratings (@T_A = +25°C, unless otherwise specified.)

Parameter	Rating	Unit
Supply Voltage (VDD)	6.5	V
Pins Input Voltage (SD, UP, Down, IN)	-0.3 to VDD+0.3	V
Storage Temperature	-65 to +150	°C
Maximum Junction Temperature	+150	°C
Junction to ambient thermal resistance	40	°C/W

Recommended Operating Conditions (@T_A = +25°C, unless otherwise specified.)

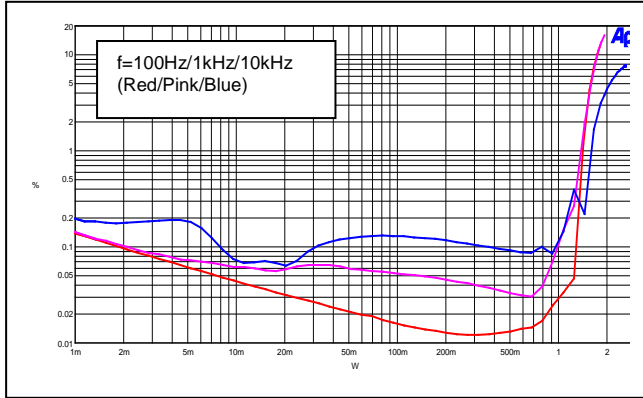
Symbol	Parameter	Min	Max	Unit
V _{DD}	Supply Voltage	2.5	6.0	V
T _A	Operating Ambient Temperature Range	-40	+85	°C
T _J	Junction Temperature Range	-40	+125	°C

Electrical Characteristics (@T_A=25°C, V_{DD}=5.0V, Gain=24dB, R_L=8Ω (33μH)+R+L(33μH), unless otherwise noted.)

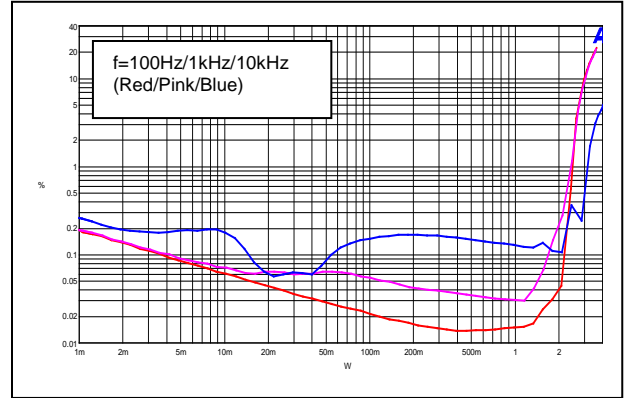
PARAMETER	SYMBOL	CONDITIONS	MIN	TYP	MAX	UNITS	
Supply Voltage Range	V _{DD}	—	2.5	—	5.5	V	
Quiescent Current	I _Q	No Load	—	8	—	mA	
Output Offset Voltage	V _{OS}	No Load	—	10	—	mV	
Drain-Source On-State Resistance	R _{DS(ON)}	I _{DS} = 0.5A	P MOSFET	—	0.3	—	Ω
			N MOSFET	—	0.2	—	
Output Power	P _O	THD+N = 1%, f = 1kHz	R _L = 8Ω	—	1.4	—	W
			R _L = 4Ω	—	2.4	—	
Total Harmonic Distortion Plus Noise	THD+N	R _L = 8Ω, P _O = 0.85W, f = 1KHz	—	0.08	—	%	
		R _L = 4Ω, P _O = 1.75W, f = 1KHz	—	0.08	—		
Power Supply Ripple Rejection	PSRR	Input AC-GND, f = 1KHz, V _{pp} = 200mV	—	70	—	dB	
Channel Separation	CS	P _O = 1W, f = 1KHz	—	-95	—	dB	
Oscillator Frequency	f _{osc}	—	200	250	300	kHz	
Efficiency	η	P _O = 1.1W, f = 1kHz, R _L = 8Ω	—	87	—	%	
		P _O = 2.4W, f = 1kHz, R _L = 4Ω	—	83	—	%	
Noise	V _n	Input AC-GND	A-weighting	—	60	—	μV
			No A-weighting	—	80	—	
Signal Noise Ratio	SNR	f = 20-20kHz, THD = 1%	—	95	—	dB	
Turn-on Time	T _{on}	V _{DD} = 5V	—	0.65	—	S	
Mute Current	I _{MUTE}	MUTE = V _{DD}	—	4	10	mA	
Shutdown Current	I _{SD}	V _{SD} = 0V	—	—	1	μA	
Logic Input High	V _{IH}	Include SD, UP, DOWN	1.4	—	—	V	
Logic Input Low	V _{IL}	Include SD, UP, DOWN	—	—	0.6	V	
Over Temperature Protection	OTP	—	—	150	—	°C	
Over Temperature Hysteresis	OTH	—	—	40	—	°C	

Performance Characteristics (@ $T_A = +25^\circ\text{C}$, $V_{DD} = 5\text{V}$, Gain = 24dB, $R_L = L(33\mu\text{H}) + R + L(33\mu\text{H})$, unless otherwise noted.)

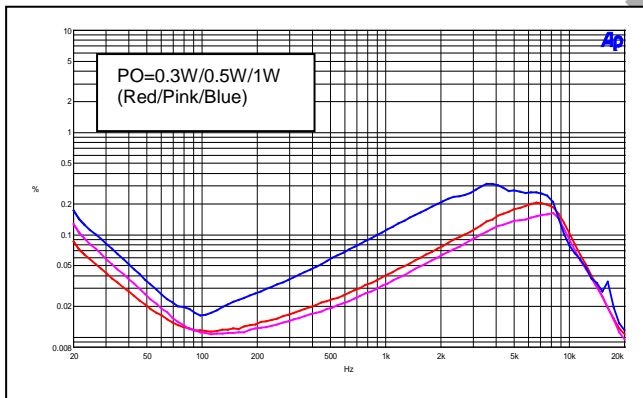
THD+N Vs. Output Power (RL=8Ω)



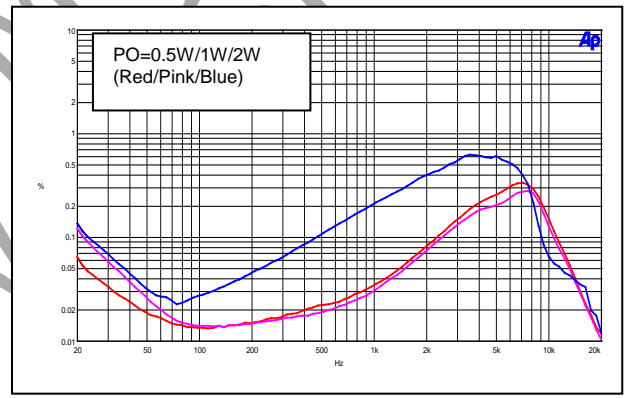
THD+N Vs. Output Power (RL=4Ω)



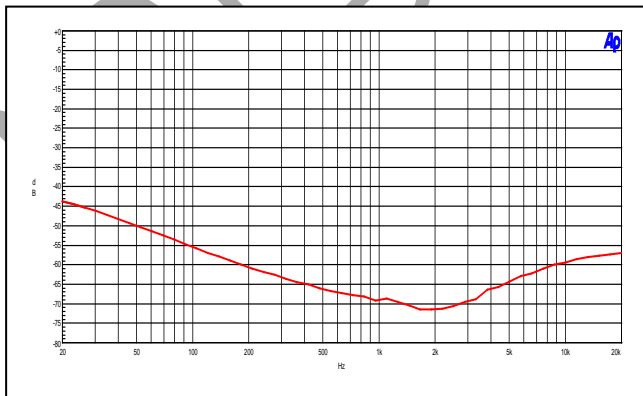
THD+N Vs. Frequency (RL=8Ω)



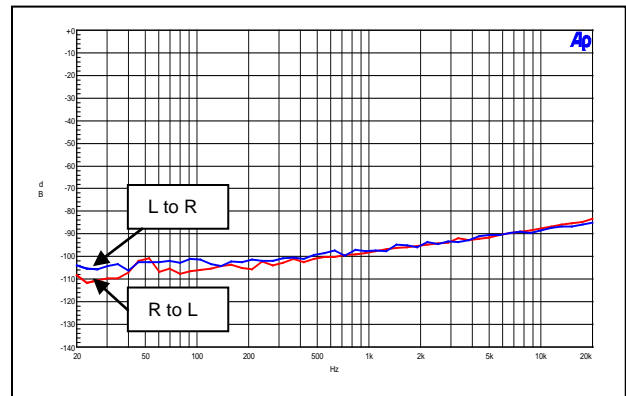
THD+N Vs. Frequency (RL=4Ω)



PSRR Vs. Frequency

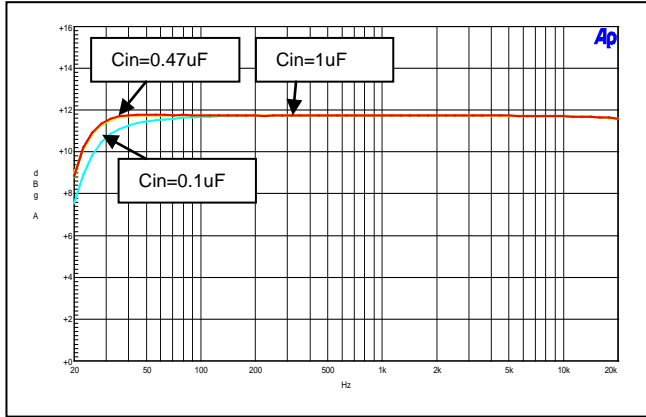


Crosstalk Vs Frequency

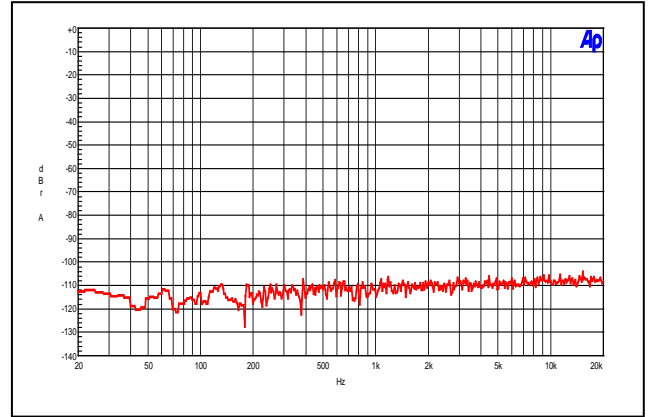


Performance Characteristics (@ $T_A = +25^\circ\text{C}$, $V_{DD} = 5\text{V}$, Gain = 24dB, $R_L = L(33\mu\text{H}) + R + L(33\mu\text{H})$, unless otherwise noted.)

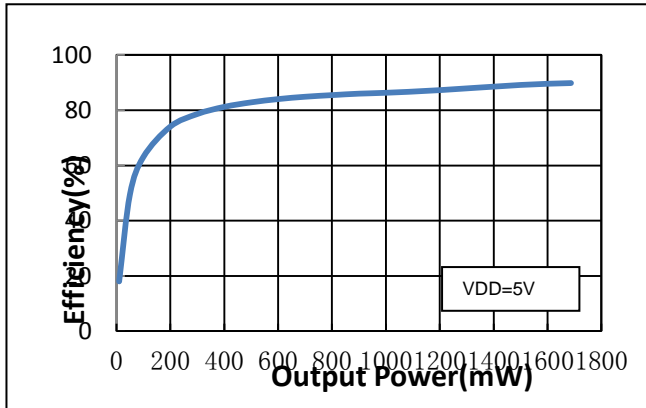
Frequency Response



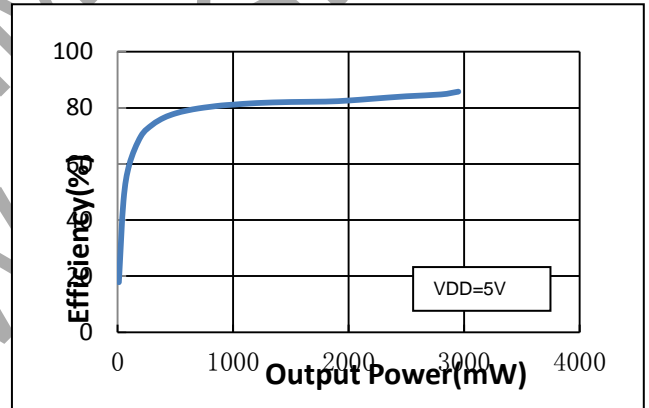
Noise Floor



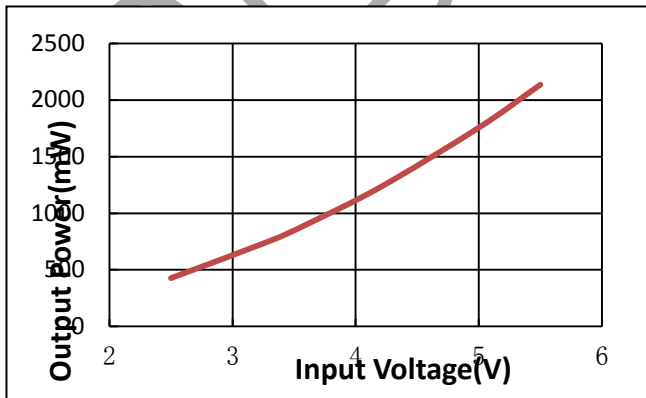
Efficiency Vs. Output Power ($R_L = 8\Omega$)



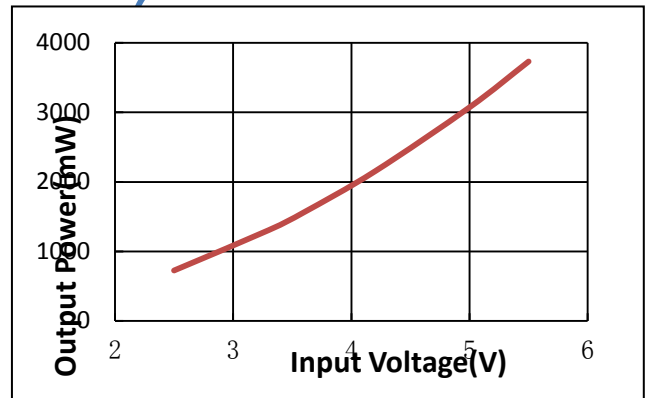
Efficiency Vs. Output Power ($R_L = 4\Omega$)



Output Power Vs. Supply Voltage ($R_L = 8\Omega$, THD=10%)

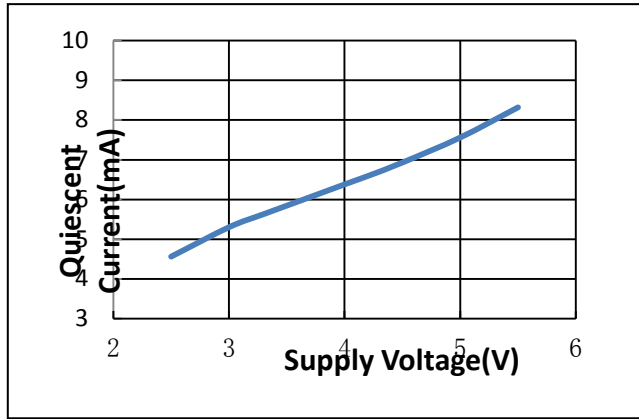


Output Power vs. Supply Voltage ($R_L = 4\Omega$, THD=10%)

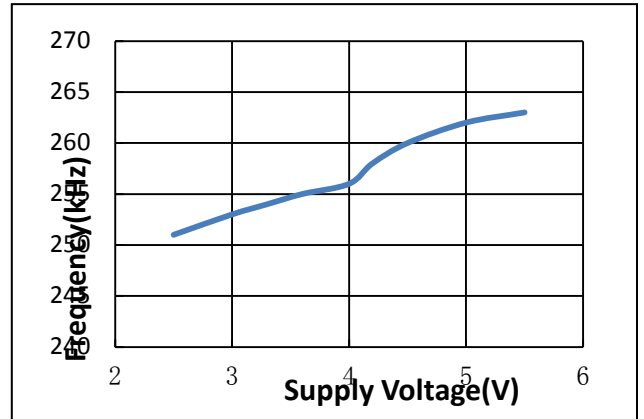


Performance Characteristics (@ $T_A = +25^\circ\text{C}$, $V_{DD} = 5\text{V}$, Gain = 24dB, $R_L = L(33\mu\text{H}) + R + L(33\mu\text{H})$, unless otherwise noted.)

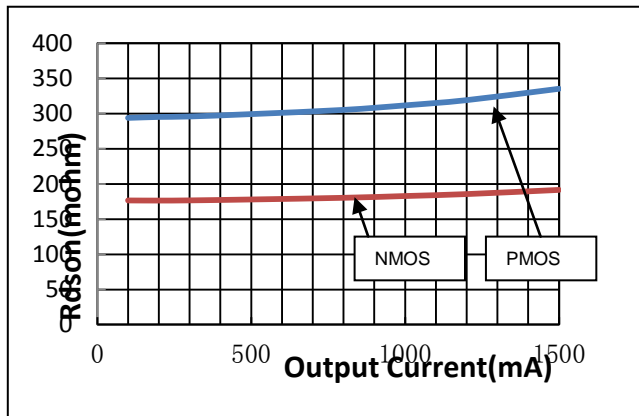
Quiescent Current Vs. Supply Voltage



OSC Frequency Vs. Supply Voltage



Rdson Vs. Output Current



Up/Down Volume Control (dB)

STEP	Gain	STEP	Gain	STEP	Gain
1	24	12	7.5	23	-10
2	22.5	13	6	24	-12
3	21	14	4.5	25	-14
4	19.5	15	3	26	-16
5	18	16	1.5	27	-18
6	16.5	17	0	28	-20
7	15	18	-1.5	29	-22
8	13.5	19	-3	30	-24
9	12*	20	-4.5	31	-26
10	10.36	21	-6	32	-30
11	9	22	-8	-	-

*Default Gain=12dB

NOT FOR NEW

FOR NEW

Application Information

Maximum Gain

As shown in block diagram, the PAM8407 has two internal amplifiers stage. The first stage's gain is externally configurable, while the second stage's is internally fixed in a fixed-gain, inverting configuration. The closed-loop gain of the first stage is set by selecting the ratio of Rf to Ri while the second stage's gain is fixed at 2x. Consequently, the differential gain for the IC is

$$A_{VD} = 20 \cdot \log [2 \cdot (R_f/R_i)]$$

The PAM8407 sets maximum Rf=218kΩ and minimum Ri=27kΩ, thus the maximum closed-gain is 24dB.

UP/DOWN Volume Control (DVC)

The PAM8407 features a UP/DOWN volume control which consists of the UP and DOWN pins. An internal clock is used where the clock frequency value is determined from the following formula:

$$f_{CLK} = f_{OSC} / 2^{13}$$

The oscillator frequency f_{OSC} value is 250kHz typical, with ±20% tolerance. The DVC's clock frequency is 30Hz (cycle time 33ms) typical.

Volume changes are then effected by toggling either the UP or DOWN pins with a logic low. After a period of 1 cycle pulses with either the UP or DOWN pins held low, the volume will change to the next specified step, either UP or DOWN, and followed by a short delay. This delay decreases the longer the line is held low, eventually reaching a delay of zero. The delay allows the user to pull the UP or DOWN terminal low once for one volume change, or hold down to ramp several volume changes. The delay is optimally configured for push button volume control.

If either the UP or DOWN pin remains low after the first volume transition the volume will change again, but this time after 10 cycles. The followed transition occurs at 4 cycles for each volume transition. This is intended to provide the user with a volume control that pauses briefly after initial application, and then slowly increases the rate of volume change as it is continuously applied. This cycle is shown in the timing diagram shown in figure 1.

There are 32 discrete gain settings ranging from +24dB maximum to -80dB minimum. Upon device power on or applied a logic low to the SD pin, the amplifier's gain is set to a default value of 12dB. Volume levels for each step vary and are specified in Gain Setting table on page 7.

If both the UP and DOWN pins are held high, no volume change will occur. Trigger points for the UP and DOWN pins are at 70% of VDD minimum for a logic high, and 20% of VDD maximum for a logic low. It is recommended, however, to toggle UP and DOWN between VDD and GND for best performance.

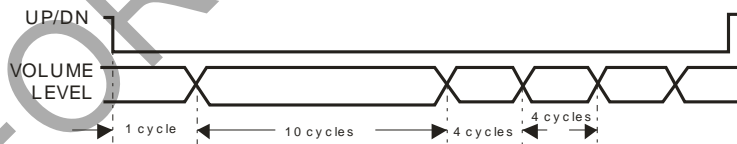


Figure 1. Timing Diagram

Shutdown operation

In order to reduce power consumption while not in use, the PAM8407 contains shutdown circuitry that is used to turn off the amplifier's bias circuitry. This shutdown feature turns the amplifier off when logic low is placed on the SD pin. By switching the SD pin connected to GND, the PAM8407 supply current draw will be minimized in idle mode. The SD pin cannot be left floating due to the pull-down internal.

Application Information (Continued)

Power supply decoupling

The PAM8407 is a high performance CMOS audio amplifier that requires adequate power supply decoupling to ensure the output THD and PSRR are as low as possible. Power supply decoupling is affecting low frequency response. Optimum decoupling is achieved by using two capacitors of different types that target different types of noise on the power supply leads. For higher frequency transients, spikes, or digital hash on the line, a good low equivalent-series-resistance (ESR) ceramic capacitor, typically 1.0 μ F, placed as close as possible to the device VDD terminal works best. For filtering lower-frequency noise signals, a larger capacitor of 10 μ F (ceramic) or greater placed near the audio power amplifier is recommended.

Input Capacitor (Ci)

Large input capacitors are both expensive and space hungry for portable designs. Clearly, a certain sized capacitor is needed to couple in low frequencies without severe attenuation. But in many cases the speakers used in portable systems, whether internal or external, have little ability to reproduce signals below 100Hz to 150Hz. Thus, using a large input capacitor may not increase actual system performance. In this case, input capacitor (Ci) and input resistance (Ri) of the amplifier form a high-pass filter with the corner frequency determined equation below,

$$f_c = \frac{1}{2\pi R_i C_i}$$

In addition to system cost and size, click and pop performance is affected by the size of the input coupling capacitor, Ci. A larger input coupling capacitor requires more charge to reach its quiescent DC voltage (nominally 1/2 VDD). This charge comes from the internal circuit via the feedback and is apt to create pops upon device enable. Thus, by minimizing the capacitor size based on necessary low frequency response, turn-on pops can be minimized.

Under Voltage Lock-out (UVLO)

The PAM8407 incorporates circuitry designed to detect when the supply voltage is low. When the supply voltage drops to 2.4V or below, the PAM8407 outputs are disabled, and the device comes out of this state and starts to normal functional when the supply voltage increases.

Short Circuit Protection (SCP)

The PAM8407 has short circuit protection circuitry on the outputs that prevents damage to the device during output-to-output and output-to-GND short. When a short circuit is detected on the outputs, the outputs are disabled immediately. If the short was removed, the device activates again.

Over Temperature Protection

Thermal protection on the PAM8407 prevents damage to the device when the internal die temperature exceeds 150°C. There is a 15 degree tolerance on this trip point from device to device. Once the die temperature exceeds the thermal set point, the device outputs are disabled. This is not a latched fault. The thermal fault is cleared once the temperature of the die is reduced by 60°C. This large hysteresis will prevent motor boating sound well and the device begins normal operation at this point with no external system interaction.

How to Reduce EMI (Electro Magnetic Interference)

A simple solution is to put an additional capacitor 1000 μ F at power supply terminal for power line coupling if the traces from amplifier to speakers are short (<20cm). Most applications require a ferrite bead filter which shows at Figure 3. The ferrite filter reduces EMI around 1 MHz and higher. When selecting a ferrite bead, choose one with high impedance at high frequencies, but low impedance at low frequencies.

Application Information (Continued)

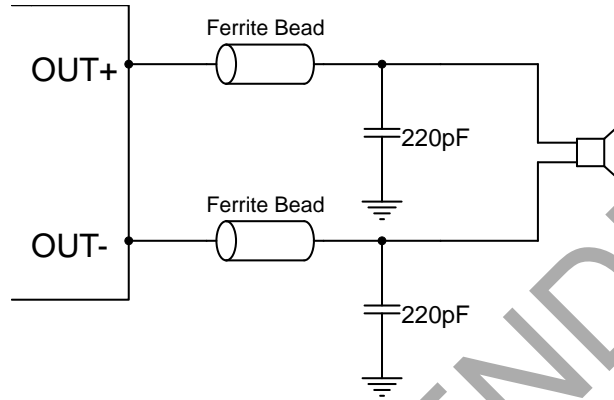


Figure 3: Ferrite Bead Filter to reduce EMI

PCB Layout Guidelines

Grounding

At this stage it is paramount that we acknowledge the need for separate grounds. Noise currents in the output power stage need to be returned to output noise ground and nowhere else. Were these currents to circulate elsewhere, they may get into the power supply, the signal ground, etc, worse yet, they may form a loop and radiate noise. Any of these instances results in degraded amplifier performance. The logical returns for the output noise currents associated with Class D switching are the respective PGND pins for each channel. The switch state diagram illustrates that PGND is instrumental in nearly every switch state. This is the perfect point to which the output noise ground trace should return. Also note that output noise ground is channel specific. A two channels amplifier has two mutually exclusive channels and consequently must have two mutually exclusive output noise ground traces. The layout of the PAM8407 offers separate PGND connections for each channel and in some cases each side of the bridge. Output noise grounds must tie to system ground at the power in exclusively. Signal currents for the inputs, reference, etc need to be returned to quite ground. This ground only ties to the signal components and the GND pin. GND then ties to system ground.

Power Supply Line

As same to the ground, VDD and each channel PVDD need to be separated and tied together at the system power supply. Recommend that all the trace could be routed as short and thick as possible. For the power line layout, just imagine water stream, any barricade placed in the trace (shows in figure 4) could result in the bad performance of the amplifier.

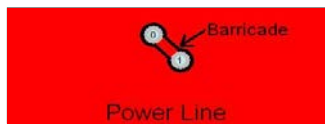
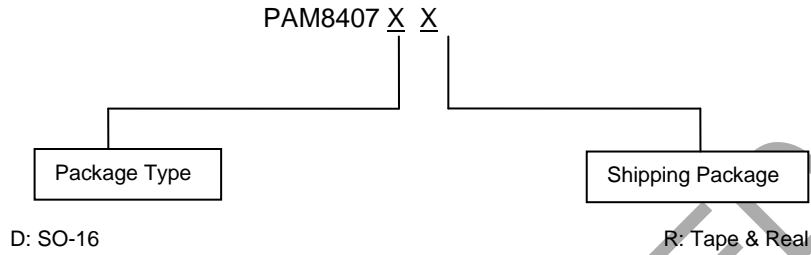


Figure 4

Components Placement

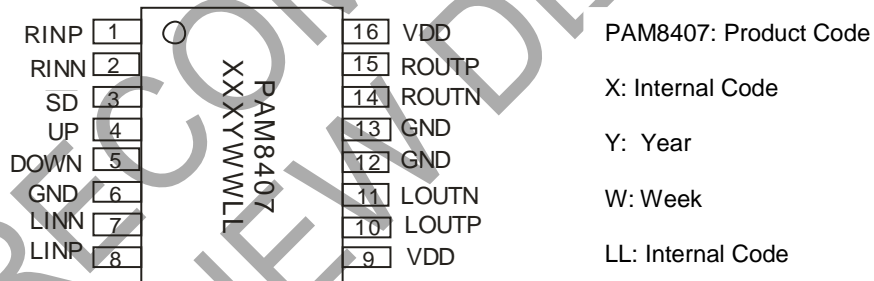
The power supply decoupling capacitors need to be placed as close to VDD pins as possible. The inputs need to be routed away from the noisy trace.

Ordering Information



Part Number	Package	Standard Package
PAM8407DR	SO-16	2,500Units/Tape&Real

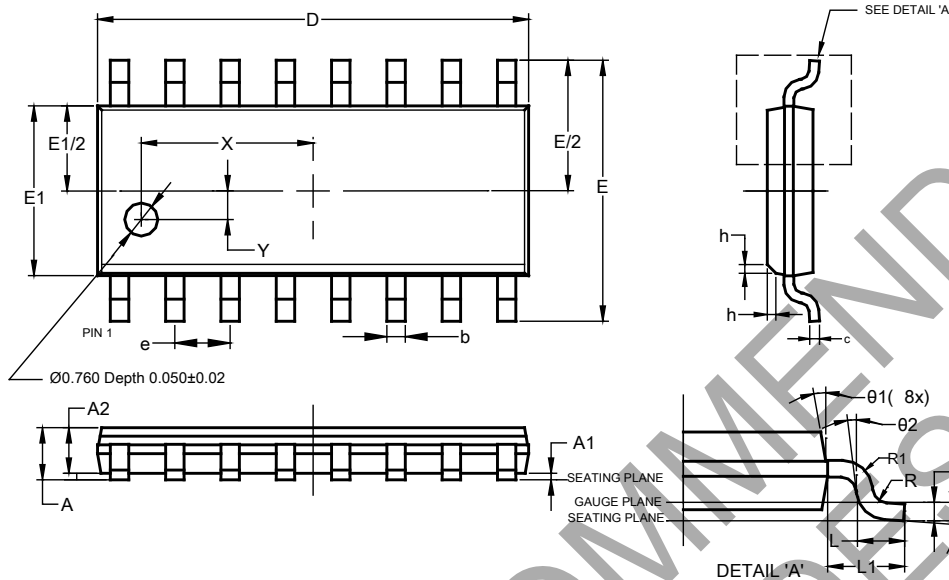
Marking Information



NOT RECOMMENDED FOR NEW DESIGN

Package Outline Dimensions

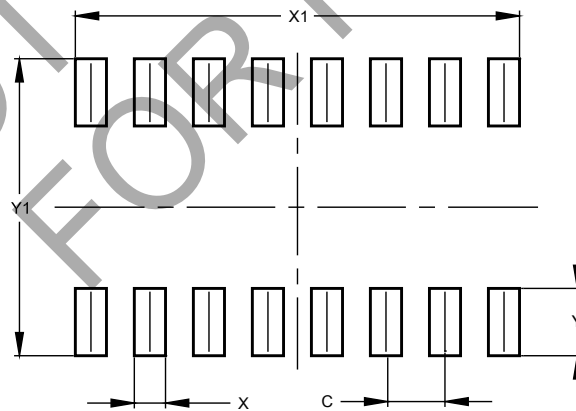
SO-16



SO-16			
Dim	Min	Max	Typ
A	--	1.75	--
A1	0.10	0.23	--
A2	1.02	--	--
b	0.31	0.51	--
c	0.10	0.25	--
D	9.80	10.00	--
E	5.90	6.10	--
E1	3.80	4.00	--
e	1.27 BSC		
h	0.15	0.25	0.20
L	0.40	1.27	--
L1	1.04 REF		
L2	0.25 BSC		
R	0.07	--	--
R1	0.07	--	--
X	3.945 REF		
Y	0.661 REF		
theta	0°	8°	--
theta1	5°	15°	--
theta2	0°	--	--
All Dimensions in mm			

Suggested Pad Layout

SO-16



Dimensions	Value (in mm)
C	1.270
X	0.670
X1	9.560
Y	1.450
Y1	6.400

IMPORTANT NOTICE

DIODES INCORPORATED MAKES NO WARRANTY OF ANY KIND, EXPRESS OR IMPLIED, WITH REGARDS TO THIS DOCUMENT, INCLUDING, BUT NOT LIMITED TO, THE IMPLIED WARRANTIES OF MERCHANTABILITY AND FITNESS FOR A PARTICULAR PURPOSE (AND THEIR EQUIVALENTS UNDER THE LAWS OF ANY JURISDICTION).

Diodes Incorporated and its subsidiaries reserve the right to make modifications, enhancements, improvements, corrections or other changes without further notice to this document and any product described herein. Diodes Incorporated does not assume any liability arising out of the application or use of this document or any product described herein; neither does Diodes Incorporated convey any license under its patent or trademark rights, nor the rights of others. Any Customer or user of this document or products described herein in such applications shall assume all risks of such use and will agree to hold Diodes Incorporated and all the companies whose products are represented on Diodes Incorporated website, harmless against all damages.

Diodes Incorporated does not warrant or accept any liability whatsoever in respect of any products purchased through unauthorized sales channel. Should Customers purchase or use Diodes Incorporated products for any unintended or unauthorized application, Customers shall indemnify and hold Diodes Incorporated and its representatives harmless against all claims, damages, expenses, and attorney fees arising out of, directly or indirectly, any claim of personal injury or death associated with such unintended or unauthorized application.

Products described herein may be covered by one or more United States, international or foreign patents pending. Product names and markings noted herein may also be covered by one or more United States, international or foreign trademarks.

This document is written in English but may be translated into multiple languages for reference. Only the English version of this document is the final and determinative format released by Diodes Incorporated.

LIFE SUPPORT

Diodes Incorporated products are specifically not authorized for use as critical components in life support devices or systems without the express written approval of the Chief Executive Officer of Diodes Incorporated. As used herein:

A. Life support devices or systems are devices or systems which:

1. are intended to implant into the body, or
2. support or sustain life and whose failure to perform when properly used in accordance with instructions for use provided in the labeling can be reasonably expected to result in significant injury to the user.

B. A critical component is any component in a life support device or system whose failure to perform can be reasonably expected to cause the failure of the life support device or to affect its safety or effectiveness.

Customers represent that they have all necessary expertise in the safety and regulatory ramifications of their life support devices or systems, and acknowledge and agree that they are solely responsible for all legal, regulatory and safety-related requirements concerning their products and any use of Diodes Incorporated products in such safety-critical, life support devices or systems, notwithstanding any devices- or systems-related information or support that may be provided by Diodes Incorporated. Further, Customers must fully indemnify Diodes Incorporated and its representatives against any damages arising out of the use of Diodes Incorporated products in such safety-critical, life support devices or systems.

Copyright © 2020, Diodes Incorporated

www.diodes.com

X-ON Electronics

Largest Supplier of Electrical and Electronic Components

Click to view similar products for [Audio Amplifiers](#) category:

Click to view products by [Diodes Incorporated](#) manufacturer:

Other Similar products are found below :

[LV47002P-E](#) [NCP2811AFCT1G](#) [NCP2890AFCT2G](#) [SSM2377ACBZ-R7](#) [IS31AP4915A-QFLS2-TR](#) [NCP2820FCT2G](#) [TDA1591T](#)
[TDA7563AH](#) [SSM2529ACBZ-R7](#) [MAX9890AETA+T](#) [TS2012EIJT](#) [NCP2809BMUTXG](#) [NJW1157BFC2](#) [SSM2375CBZ-REEL7](#)
[IS31AP4996-GRLS2-TR](#) [STPA002OD-4WX](#) [NCP2823BFCT1G](#) [MAX9717DETA+T](#) [MAX9717CETA+T](#) [MAX9724AEBC+TG45](#)
[LA4450L-E](#) [IS31AP2036A-CLS2-TR](#) [TDA7563ASMTR](#) [AS3561-DWLT](#) [SSM2517CBZ-R7](#) [SABRE9601K](#) [THAT1646W16-U](#)
[PAM8965ZLA40-13](#) [BD37532FV-E2](#) [BD5638NUX-TR](#) [BD37512FS-E2](#) [BD37543FS-E2](#) [BD3814FV-E2](#) [TPA3140D2PWPR](#) [TS2007EIJT](#)
[IS31AP2005-DLS2-TR](#) [AS3410-EQFP-500](#) [FDA4100LV](#) [TS4994EIJT](#) [NCP2820FCT1G](#) [NCP2823AFCT2G](#) [NCS2211MNTXG](#)
[CPA2233CQ16-A1](#) [OPA1612AQDRQ1](#) [TDA7492](#) [SSM2519ACBZ-R7](#) [ZXCD1210JB16TA](#) [TPA3255DDVR](#) [TAS5722LRSMT](#)
[NCP2823AFCCT2G](#)