

Features

- USB 3.0 Signal Switch
- 2 Differential Channel, 2:1 Mux/DeMux
- -3dB BW of 4.1GHz
- Low Bit-to-Bit Skew, 6ps max
- Low Insertion Loss: -2.0dB@2.5GHz(5.0Gbps)
- Low Crosstalk: -41dB@2.5GHz (5.0Gbps)
- Low Off Isolation: -22dB@2.5GHz (5.0Gbps)
- V_{DD} Operating Range: 1.5V or 1.8V
- ESD Tolerance 2KV HBM I/O
- Packaging (Pb-free & Green):
 - 28-Pin TQFN (ZH, 3.5 × 5.5mm)

Description

Pericom Semiconductor's PI2USB3212 is a 1 to 2 bi-directional differential channel multiplexer/demultiplexer switch supporting 5.0 Gbps applications, such as USB 3.0. Due to its low bit-to-bit skew, high channel-to-channel noise isolation and high bandwidth, this product is ideal for switching two sources to a single receiver, or alternatively, one source to two receivers.

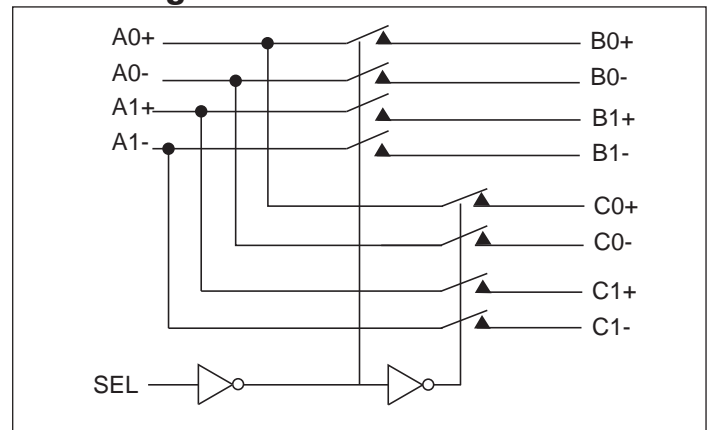
Application

- USB 3.0, XAUI, Infiniband, Rapid I/O PCIe® 2.0.
- Computers, servers, storage, instrumentation, telecom, networking.

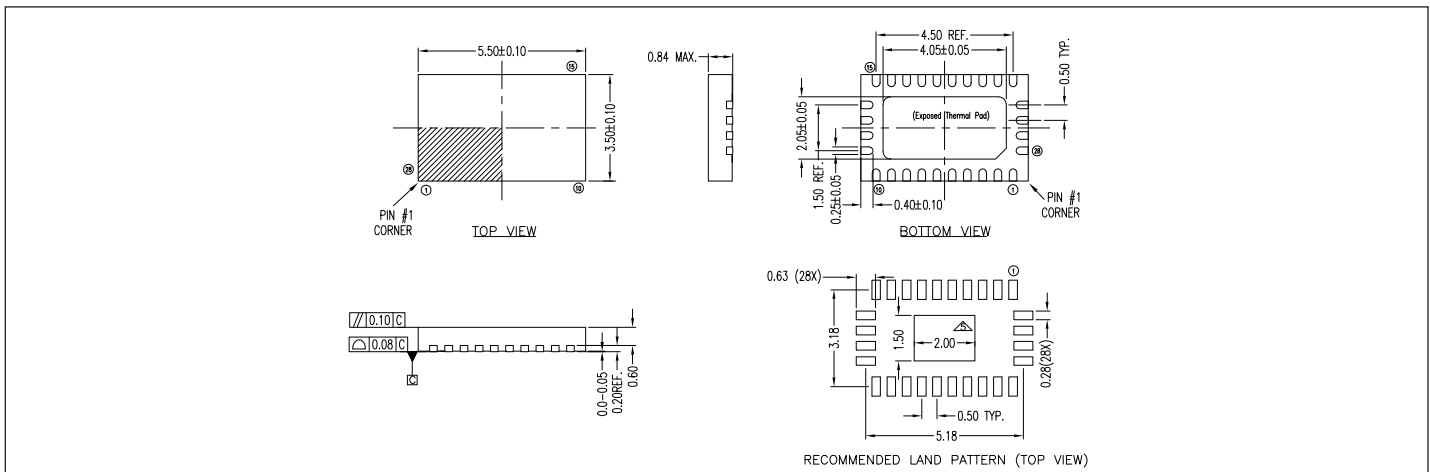
Truth Table

Function	SEL
A to B	L
A to C	H

Block Diagram



Package Mechanical: 28-Pin, TQFN (ZH)



Ordering Information

Ordering Code	Package Code	Package Type
PI2USB3212ZHE	ZH	Pb-free & Green, 28-Contact TQFN

1. Thermal characteristics can be found on the company web site at www.pericom.com/packaging/
2. E = Pb-free and Green
3. Adding an X Suffix = Tape/Reel

X-ON Electronics

Largest Supplier of Electrical and Electronic Components

Click to view similar products for [USB Switch ICs category](#):

Click to view products by [Diodes Incorporated manufacturer](#):

Other Similar products are found below :

[NLAS7213MUTBG](#) [FSA221UMX](#) [FSUSB31UMX](#) [FSA806UMX](#) [NL3S2223MUTBG](#) [TC7USB3212WBG\(ELAH](#) [PI3USB31531ZLCEX](#)
[PI5USB31213XEAEX](#) [BD91N01NUX-E2](#) [MP5030DGQH-Z](#) [NL3S22AHMUTAG](#) [NL3S22UHMUTAG](#) [FSA9280AUMX](#)
[NLAS7242MUTBG](#) [TPS2549IRTERQ1](#) [PI2USB4122ZHEX](#) [TS5USBC402IYFPT](#) [NS5S1153MUTAG](#) [FSUSB11MTCX](#) [PI3USB102GZLEX](#)
[P6KE110A](#) [SMAJ200A](#) [SMAJ70CA](#) [SMAJ11A](#) [SMAJ140CA](#) [SMAJ14A](#) [SMAJ160CA](#) [SMAJ250A](#) [SMAJ51CA](#) [SMAJ5.0CA](#)
[30KP400CA](#) [1SMB5.0AT3G](#) [MAX4989ETD+T](#) [MAX4717EBCT](#) [MAX4717EUB+](#) [MAX4906ELB+T](#) [MAX4906EFELB+T](#)
[MAX4906FELB+T](#) [MAX4983EEVB+T](#) [MAX4899AEETE+T](#) [MAX14651ETA+T](#) [PI3USB20LE](#) [UCS2114-1-V/LX](#) [UCS2113-1-V/G4](#)
[UCS2113T-1-V/G4](#) [UCS2112-1-V/G4](#) [FSA1153UCX](#) [FSA221L10X](#) [FSA221MUX](#) [FSA223UMX](#)