

# PI3DBS16222Q

**3.3V 20Gbps 4-Channel 2x2 Exchange Switch**  
**AEC-Q100 Grade, -40°C to 105°C**

## Features

- Four Differential Channel 2x2 Exchange Switch
- Data Rate 20Gbps Performance; Enable applications in PCI Express® 4.0, USB 4.0, USB 3.1 Gen 2, Thunderbolt™ 4, 10G BASE-KR
- Bidirectional Operation
- Low Bit-to-Bit Skew: 10ps
- Low Crosstalk:
  - -30dB @ 4.0GHz
  - -19dB @ 8.0GHz
  - -17dB @ 10GHz
- Low Insertion Loss:
  - -1.0dB @ 4.0GHz
  - -1.5dB @ 8.0GHz
  - -2.0dB @ 10 GHz
- V<sub>DD</sub> Operating Range: 3.3V ± 10%
- AEC-Q100 Grade 2 Automotive Temperature Range: -40°C to 105°C
- Wettable QFN Design
- Totally Lead-Free & Fully RoHS Compliant (Notes 1 & 2)
- Halogen and Antimony Free. "Green" Device (Note 3)
- The DIODES™ PI3DBS16222Q is suitable for automotive applications requiring specific change control; this part is AEC-Q100 qualified, PPAP capable, and manufactured in IATF 16949 certified facilities.  
<https://www.diodes.com/quality/product-definitions/>
- Packaging (Pb-free & Green):
  - 30-contact, TQFN (ZL30), 2.5mm × 4.5mm

## Application(s)

- Applications up to 20 Gbps including PCIe 4.0, USB 3.2 Gen 2, 10GE, Thunderbolt 4, SAS 3.0, and SATA 3.0
- Automotive

### Notes:

1. No purposely added lead. Fully EU Directive 2002/95/EC (RoHS), 2011/65/EU (RoHS 2) & 2015/863/EU (RoHS 3) compliant.
2. See <https://www.diodes.com/quality/lead-free/> for more information about Diodes Incorporated's definitions of Halogen- and Antimony-free, "Green" and Lead-free.
3. Halogen- and Antimony-free "Green" products are defined as those which contain <900ppm bromine, <900ppm chlorine (<1500ppm total Br + Cl) and <1000ppm antimony compounds.

DIODES is a trademark of Diodes Incorporated in the United States and other countries.

The Diodes logo is a registered trademark of Diodes Incorporated in the United States and other countries.

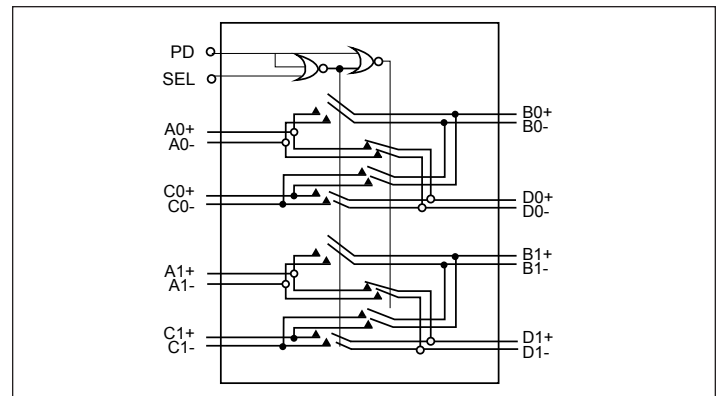
PCI Express® and PCIe® are trademarks or registered trademarks and/or service marks of PCI-SIG Corporation.

## Description

The PI3DBS16222Q is an automotive-qualified differential exchange switch featuring pass-through pinout. It supports 2x2 exchange switch operating at 20Gbps, and enables applications in PCI Express 4.0, USB 4.0, USB 3.1 Gen 2, Thunderbolt 4, 10G BASE-KR.

When the select control input is low, Port A connects to port B, and port C connects to port D for an eight-channel differential pass-through. When the select control input is high, Port A connects to port D, and port B connects to port C.

## Block Diagram



## Ordering Information

Part Number	Package	Description
PI3DBS16222Q2ZLEX	ZL	30-contact, Thin Fine Pitch Quad Flat No Lead Package (TQFN)

### Notes:

- Q = Automotive Compliant
- 2 = AEC-Q100 Grade Level
- E = Pb-free and Green
- X suffix = Tape/Reel

## X-ON Electronics

Largest Supplier of Electrical and Electronic Components

*Click to view similar products for [PCI Interface IC category](#):*

*Click to view products by [Diodes Incorporated manufacturer](#):*

Other Similar products are found below :

[CA91C142D-33CE](#) [CA91L8260B-100CEV](#) [PI7C8150BMA](#) [PI7C9X2G606PRDNJAE](#) [PI7C9X111SLBFDE-2017](#) [PEX8747-CA80FBC G](#)  
[PI3PCIE3242AZLEX](#) [PI3PCIE3442AZHEX](#) [PI7C9X2G606PRDNJAEX](#) [DS320PR1601ZDGT](#) [PSASF2130321TR](#) [FSA636UCX](#)  
[PSASM2130541TR](#) [PI3DBS16222Q2ZLEX](#) [PI3PCIE3212ZBEX](#) [XIO2213BIZAY](#) [XIO2001PNP](#) [XIO2001IPNP](#) [XIO2213BZAY](#)  
[PI7C9X111SLBFDEX](#) [PI7C9X2G608GPBNJE](#) [PI7C9X113SLFDE](#) [PM8532B-F3EI](#) [PI7C9X2G308GPANJE](#) [PI7C8150BMAIE](#) [I-96](#)  
[CH382L](#) [PI7C9X2G304ELQZXAEX](#) [PI3DBS16412ZLCEX](#) [PI3DBS16413ZHEX](#) [PI3DBS16412ZHEX](#) [PI3PCIE2415ZHEX](#)  
[PI7C9X2G1616PRBHSBE](#) [PI7C9X2G304ELZXAE](#) [PI7C9X2G404EVAZXAEX](#) [PI7C9X2G304EVAZXAEX](#) [PI7C9X2G404ELZXAE](#)  
[PI7C9X2G404SLBFDE](#) [PI7C9X118SLFDE](#) [PI7C9X2G404SLBFDEX](#) [PI7C9X2G304SVAFDEEX](#) [PI7C9X2G404SVAFDEEX](#)  
[PI7C9X2G608GPBNJEX](#) [PI7C9X442SLBFDE](#) [PI7C8150AMAE](#) [PI7C9X110BNBE](#) [PI7C9X440SLBFDE](#) [89HPES24T3G2ZCALGI](#)  
[PI7C8150BNDE](#) [PI7C9X130DNDE](#)