

## ActiveEye™ 3:1 HDMI™ Switch with I<sup>2</sup>C Control & ARC

### Features

- IC control 3:1 HDMI active switch Mux with DC coupled or AC coupled Dual mode DisplayPort signals
- HDMI 1.4 compliant with fast video switch among each ports
- 2.5Gbps data rate for TMDS clock up to 250MHz
- Support up to 36-bits per pixel Deep Color
- TMDS compliance input can be AC coupled video or DC coupled. Output will maintain its DC coupled, current-steering
- Programmable equalizer, Pre-emphasis and amplitude settings to achieve optimized HDMI signal integrity
- Integrated selectable DDC active/ passive switch to connect DDC path
- Idle clock detection function for output squelch
- Programmable TMDS termination control
- TMDS input pull-up 50 Ohm termination, pull-down >120K Ohm resistor when switch is deselected
- Double terminated TMDS output support
- Integrated ESD protection on I/O pins to connector, 8KV contact per IEC61000-4-2, level 3
- 64-LQFP (FB), Pb-free and Green

### Description

PI3HDMI336 is an IC configurable active switch using Pericom's new ActiveEye technology to achieve optimized signal integrity for cable or on board transmission. It is HDMI 1.4 / DVI 1.0 standard compatible device and also use for the DisplayPort switching application.

It support both Pin stripping and I<sup>2</sup>C programmable that MDS input termination settings helps to avoid the compatibility issue caused by non standard HDMI source. This feature minimizes the reflection caused by improper impedance matching and reduces the signal jitter.

PI3HDMI336 provide the optimized trace routing with low BOM cost along with the integrated DDC channel Mux, Hot Plug Detection, cable detection and HDMI 1.4 ARC transmitter.

### Applications

- HDMI Switch Box
- STB (Set-top Box)
- Digital TV
- LCD monitors

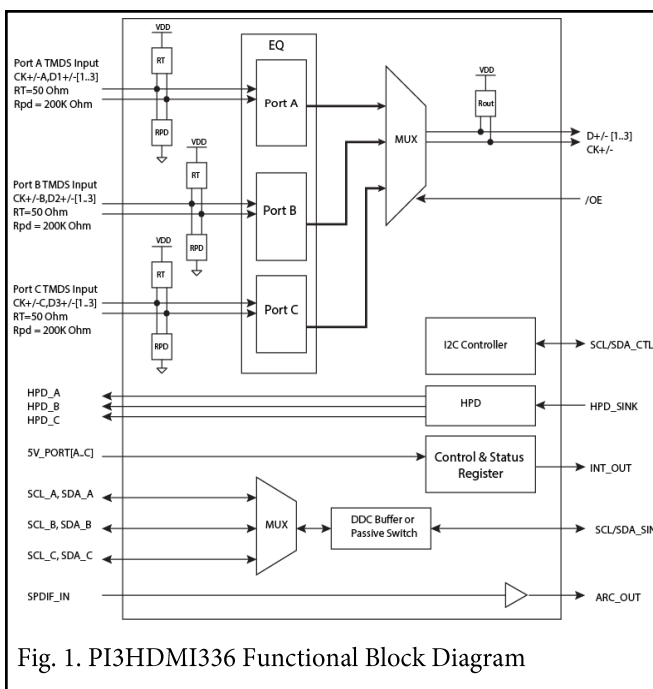


Fig. 1. PI3HDMI336 Functional Block Diagram

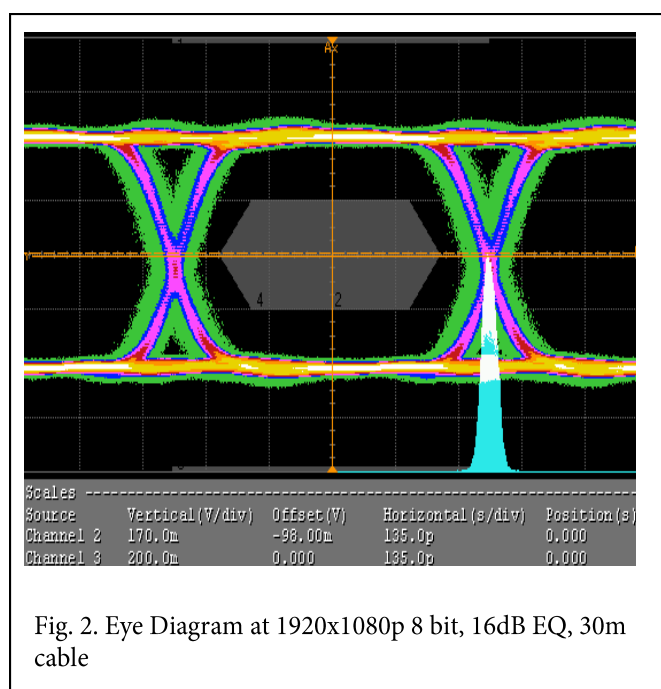


Fig. 2. Eye Diagram at 1920x1080p 8 bit, 16dB EQ, 30m cable

## Ordering Information

Ordering Code	Package Code	Package Description
PI3HDMI336FBE	FB	64-pin LQFP

### Notes:

1. Thermal characteristics can be found on the company web site at [www.pericom.com/packaging/](http://www.pericom.com/packaging/)
2. “E” = Pb-free and Green, Adding an “X” suffix = Tape/Reel

## Related Products

Part Number	Product Description
PI3EQXDP1201	ActiveEye™ DisplayPort 1.2 ReDriver with the built-in AUX listener
PI3VDP1430	ActiveEye™ Dual Mode DisplayPort to HDMI Level Shifter and Re-driver
PI3HDMI412AD	ActiveEye™ 1:2 Active HDMI1.4 compliant Splitter/Re-driver
PI3HDMI511	ActiveEye™ 3.4Gbps HDMI1.4 ReDriver for Source-side application
PI3HDMI611	ActiveEye™ 3.4Gbps HDMI1.4 ReDriver for Sink-side application
PI3HDMI521	ActiveEye™ 2:1 3.4Gbps HDMI1.4 Switch/Re-driver with built-in ARC and Fast Switching support for Source-side Application
PI3HDMI621	ActiveEye™ 2:1 3.4Gbps HDMI1.4 Switch/Re-driver with built-in ARC and Fast Switching support for Sink Application
PI3VDP3212	2-Lane DisplayPort1.2 Compliant Switch
PI3VDP12412	4-Lane DisplayPort1.2 Compliant Switch

INFORMATION IN THIS DOCUMENT IS PROVIDED IN CONNECTION WITH PERICOM PRODUCT. NO LICENSE, EXPRESS OR IMPLIED, BY ESTOPPEL OR OTHERWISE, TO ANY INTELLECTUAL PROPERTY RIGHTS IS GRANTED BY THIS DOCUMENT. EXCEPT AS PROVIDED IN PERICOM'S TERMS AND CONDITIONS OF SALE FOR SUCH PRODUCTS INCLUDING LIABILITY OR WARRANTIES RELATING TO FITNESS FOR A PARTICULAR PURPOSE, MERCHANTABILITY, OR INFRINGEMENT OF ANY PATENT, COPYRIGHT OR OTHER INTELLECTUAL PROPERTY RIGHT.

Pericom may make changes to specifications and product descriptions at any time, without notice. Designers must not rely on the absence or characteristics of any features or instructions marked “reserved” or “undefined”. Pericom reserves these for future definition and shall have no responsibility whatsoever for conflicts or incompatibilities arising from future changes to them. The products described in this document may contain design defects or errors known as errata which may cause the product to deviate from published specification. Current characterized errata are available on request.

Contact your local Pericom Sales office or your distributor to obtain the latest specifications and before placing your product order.

Copyright 2012 Pericom Corporation. All rights reserved. Pericom and the Pericom logo are trademarks of Pericom Corporation in the U.S. and other countries.

## X-ON Electronics

Largest Supplier of Electrical and Electronic Components

*Click to view similar products for* [Interface - Specialised category:](#)

*Click to view products by* [Diodes Incorporated manufacturer:](#)

Other Similar products are found below :

[CY7C910-51LMB](#) [MEC1632-AUE](#) [RKSAS4](#) [HMC677G32](#) [LPC47N207-JV](#) [FTP-637DSL633R](#) [SM712GX04LF04-BA](#) [MCW1001A-I/SS](#)  
[HOA6241-001](#) [SC74HC4066ADTR2G](#) [NCN5120MNTWG](#) [NCN5150DR2G](#) [NCN8025MTTBG](#) [C100N50Z4A](#) [DG407AK/883B](#) [SRT2-ATT01](#) [TDA8035HN/C1/S1J](#) [LTC1694CS5#TRMPBF](#) [DS90UB947TRGCRQ1](#) [SP510ECF-L](#) [NCS2300MUTAG](#) [ADG1404YCPZ-REEL](#)  
[HMC677LP5E](#) [HMC677LP5ETR](#) [LTC1756EGN#PBF](#) [LTC1955EUH#PBF](#) [LT3669EUFD-2#PBF](#) [LTC6820HMS#3ZZTRPBF](#)  
[MXL1543BCAI](#) [MAX3170CAI+](#) [XL1192D](#) [KTU1109EFAA-TR](#) [CH368L](#) [CH7307C-DEF](#) [LTC1694-1IS5#TRMPBF](#) [LTC1694CS5#TRPBF](#)  
[LTC1694IS5#TRM](#) [LTS 25-NP](#) [73S8024RN-20IMF](#) [73S8024RN-IL/F](#) [DS2413P+](#) [DS2413P+T&R](#) [DS28E17Q+](#) [DS8113-RNG+](#)  
[MAX13036ATI+](#) [MAX13174ECAG+](#) [MAX216CWN+](#) [MAX3172CAI+](#) [AS8222-HSSM](#) [MAX6618AUB+](#)