

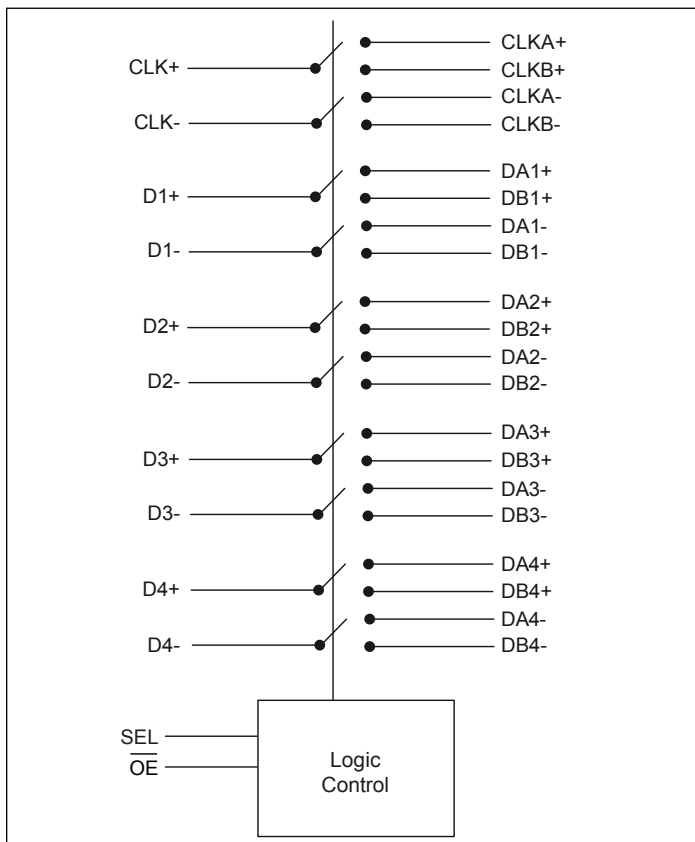
# PI3WVR648

## 2:1 MIPI 4-Data Lane Switch

### Features

- 5-lane, 2:1 switches that support D-PHY and C-PHY
- Data rate support: up to 3.5Gsps C-PHY, up to 4.5Gb/s D-PHY.
- Bandwidth: 6.0 GHz Typical
- Input Signals 0 to 1.3V
- I<sub>CCZ</sub>: 1µA Maximum
- I<sub>CC</sub>: 15µA Typical
- Skew of Opposite Transitions of the Same Output: 2ps Typical
- V<sub>DD</sub> Operating Range: 1.5V to 5V
- ESD Tolerance: 2kV HBM
- Totally Lead-Free & Fully RoHS Compliant (Notes 1 & 2)
- Halogen and Antimony Free. “Green” Device (Note 3)
- Packaging (Pb-free & Green):
  - 36-Pin, WLCSP (GEA)

### Block Diagram



### Description

Diodes’ PI3WVR648 is a four-data-lane MIPI switch. This 10 channel single-pole, double-throw (SPDT) switch is optimized for switching between two high-speed (HS) or low-power (LP) MIPI signal. The PI3WVR648 is designed for the MIPI specification and allows connection to CSI/DSI, C-PHY/D-PHY module.

### Applications

- Cellular Phones, Smart Phone
- Tablets
- Laptops
- Displays

### Ordering Information

Part Number	Package	Description
PI3WVR648GEAEX	GEA	36-Ball, 2.44x2.44 (U-WLB2424-36) (WLCSP)

Notes:

1. No purposely added lead. Fully EU Directive 2002/95/EC (RoHS), 2011/65/EU (RoHS 2) & 2015/863/EU (RoHS 3) compliant.
2. See <https://www.diodes.com/quality/lead-free/> for more information about Diodes Incorporated’s definitions of Halogen- and Antimony-free, “Green” and Lead-free.
3. Halogen- and Antimony-free “Green” products are defined as those which contain <900ppm bromine, <900ppm chlorine (<1500ppm total Br + Cl) and <1000ppm antimony compounds.
4. E = Pb-free and Green
5. X suffix = Tape/Reel

## X-ON Electronics

Largest Supplier of Electrical and Electronic Components

*Click to view similar products for [Analogue Switch ICs](#) category:*

*Click to view products by [Diodes Incorporated](#) manufacturer:*

Other Similar products are found below :

[FSA3051TMX](#) [NLAS4684FCTCG](#) [NLAS5223BLMNR2G](#) [NLVAS4599DTT1G](#) [NLX2G66DMUTCG](#) [425541DB](#) [425528R](#) [099044FB](#)  
[NLAS5123MNR2G](#) [PI5A4157CEX](#) [NLAS4717EPFCT1G](#) [PI5A3167CCEX](#) [SLAS3158MNR2G](#) [PI5A392AQE](#) [PI5A4157ZUEX](#)  
[PI5A3166TAEX](#) [XS3A1T3157GMX](#) [TC4066BP\(N,F\)](#) [DG302BDJ-E3](#) [PI5A100QEX](#) [HV2301FG-G](#) [RS2117YUTQK10](#) [RS2118YUTQK10](#)  
[RS2227XUTQK10](#) [ADG452BRZ-REEL7](#) [MAX391CPE+](#) [MAX4730EXT+T](#) [MAX314CPE+](#) [BU4066BCFV-E2](#) [MAX313CPE+](#)  
[BU4S66G2-TR](#) [NLASB3157MTR2G](#) [TS3A4751PWR](#) [NLA5T4599DFT2G](#) [NLA5T4599DTT1G](#) [DG419LDY+T](#) [DG300BDJ-E3](#)  
[DG2503DB-T2-GE1](#) [TC4W53FU\(TE12L,F\)](#) [DG3257DN-T1-GE4](#) [ADG1611BRUZ-REEL7](#) [LTC201ACN#PBF](#) [74LV4066DB,118](#)  
[ISL43410IUZ](#) [FSA2275AUMX](#) [DIO1500WL12](#) [ADG742BKSZ-REEL7](#) [DIO1269LP10](#) [DG201HSDJ-E3](#) [DG307BDJ-E3](#)