

Low Skew, 1-To-6 LVC MOS / LV TTL Fanout Buffer

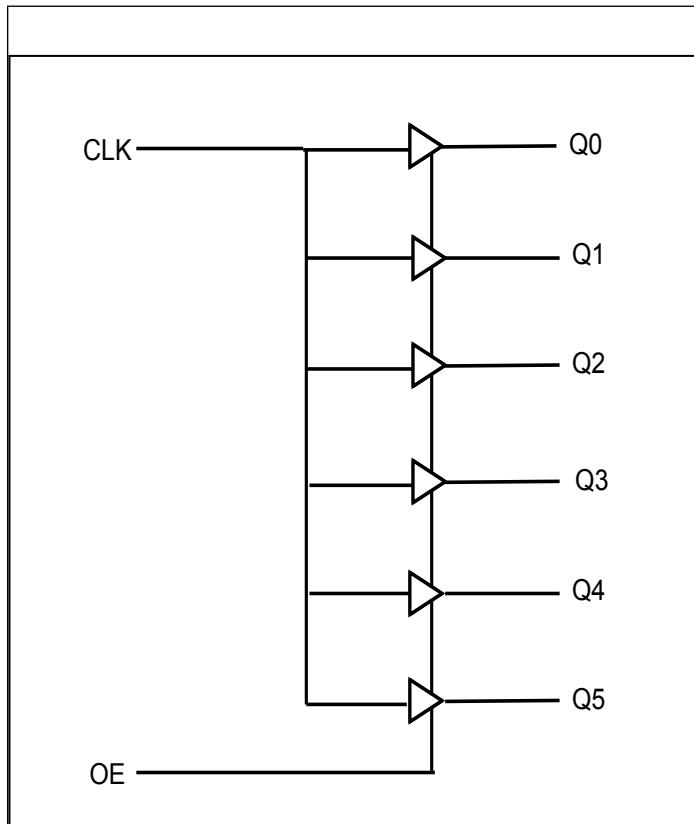
Features

- 6 LVC MOS / LV TTL outputs
- LVC MOS / LV TTL clock input accepts LVC MOS or LV TTL input levels
- Maximum output frequency: 250MHz
- Part-to-part skew: 250ps (typical)
- Full 3.3V, 2.5V, 1.8V operation mode, or 3.3V/ 2.5V/ 1.8V core with 2.5V, 1.8V, 1.5V supply modes
- -40°C to 85°C ambient operating temperature
- Lead-Free package fully RoHS compliant

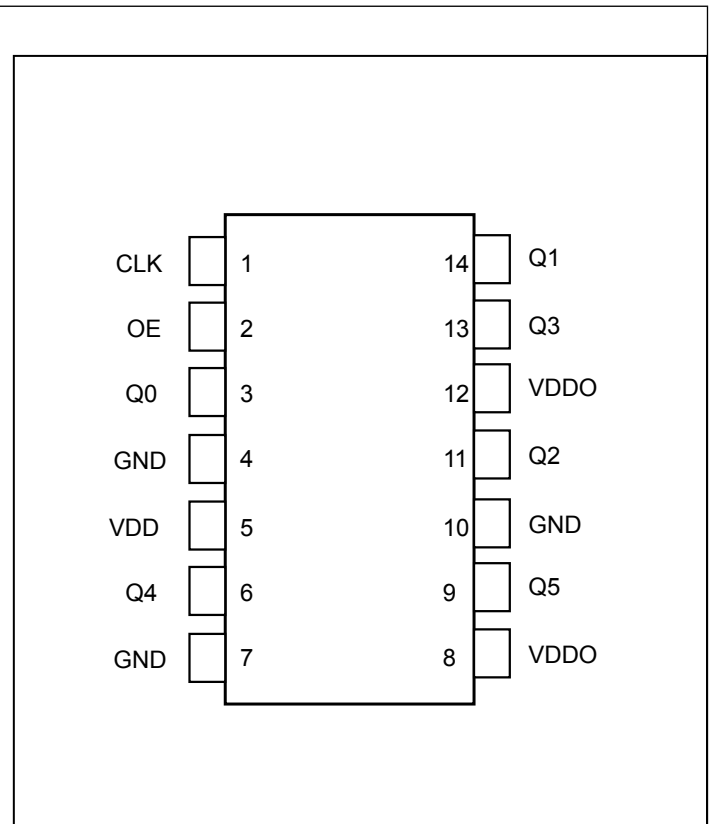
Description

The PI6C49X0206T is a low skew, 1-to-6 LVC MOS/LV TTL High Performance Fanout Buffer. The PI6C49X0206T has a single ended clock input. The single ended clock input accepts LVC MOS or LV TTL input levels. The PI6C49X0206T features a pair of LVC MOS/LV TTL outputs. Guaranteed output and part-to-part skew characteristics make the PI6C49X0206T ideal for clock distribution applications demanding well defined performance and repeatability.

Block Diagram



Pin Assignment



Pin Descriptions

Pin#	Pin Name	Pin Type		Pin Description
1	CLK	Input	Pulldown	LVCMOS / LVTTL clock input.
2	OE	Input		Output Enable pin
3, 6, 9, 11, 13, 14	Q0, Q4, Q5, Q2, Q3, Q1	Output		Single clock output. LVCMOS / LVTTL interface levels.
4, 7, 10	GND	Power		Power supply ground.
5	VDD	Power		Core supply pins.
8, 12	VDDO	Power		Output supply pins.

Note: *Pulldown* refer to internal input resistors, typical values in Pin Characteristics table.

Output Logic

Inputs		Output
CLK	OE	Qn
X	L	L
L	H	L
H	H	H

Pin Characteristics

Symbol	Parameter	Test Conditions	Min.	Typical	Max.	Units
C_N	Capacitance			4		pF
$R_{PULLDOWN}$	Input Pulldown Resistor			51		k Ω

Maximum Ratings

(Above which useful life may be impaired. For user guidelines, not tested.)

Maximum Supply Voltage, VDD, VDDO	4.6V
Inputs, V_I	-0.5V to VDD+0.5V
Output, V_O	-0.5V to VDDO+0.5V
Storage Temperature	-65°C to 150°C
ESD Protection (HBM).....	2000V

Note:

Stresses beyond those listed under Absolute Maximum Ratings may cause permanent damage to the device. These ratings are stress specifications only. Functional operation of product at these conditions or any conditions beyond those listed in the DC Characteristics or AC Characteristics is not implied. Exposure to absolute maximum rating conditions for extended periods may affect product reliability.

POWER SUPPLY DC CHARACTERISTICS, $T_A = -40^\circ\text{C}$ to 85°C

Symbol	Parameter	Conditions	Min.	Typ.	Max.	Units
VDD	Core Supply Voltage	3.3V Operation	3.135	3.3	3.465	V
		2.5V Operation	2.375	2.5	2.625	
		1.8V Operation	1.6	1.8	2.0	
VDDO	Output Power Supply Voltage	3.3V Supply	3.135	3.3	3.465	V
		2.5V Supply	2.375	2.5	2.625	
		1.8V Supply	1.6	1.8	2.0	
		1.5V Supply	1.425	1.5	1.575	
IDD	Power Supply Current	no load			2	mA
IDDO	Output Supply Current	5pF load, 25MHz, VDDO=3.3V		6	9.5	mA
		5pF load, 25MHz, VDDO=2.5V		5.7	7.2	mA
		5pF load, 25MHz, VDDO=1.8V		4.5	5.5	mA
		5pF load, 25MHz, VDDO=1.5V		3.5	4.6	mA
		5pF load, 200MHz, VDDO=3.3V		57	72	mA
		5pF load, 200MHz, VDDO=2.5V		44	54	mA
		5pF load, 200MHz, VDDO=1.8V		32	39	mA
		5pF load, 200MHz, VDDO=1.5V		19	24	mA

LVCMOS / LVTTTL DC CHARACTERISTICS, $T_A = -45^{\circ}\text{C}$ to 85°C

Symbol	Parameter	Conditions	Min.	Typ.	Max.	Units		
V_{IH}	Input High Voltage	VDD = 3.3V	2		VDD+0.3	V		
		VDD = 2.5V	1.7		VDD+0.3			
		VDD = 1.8V	0.65*VDD		VDD+0.3			
V_{IL}	Input Low Voltage	VDD = 3.3V	-0.3		0.8	V		
		VDD = 2.5V	-0.3		0.8			
		VDD = 1.8V	-0.3		0.35*VDD			
I_{IH}	Input High Current	VDD = $V_{IN} = 3.465\text{V}$			150	μA		
		VDD = $V_{IN} = 2.625\text{V}$			150			
		VDD = $V_{IN} = 2.0\text{V}$			150			
I_{IL}	Input Low Current	VDD = 3.465V, $V_{IN} = 0\text{V}$	-5			μA		
		VDD = 2.625V, $V_{IN} = 0\text{V}$	-5					
		VDD = 2.0V, $V_{IN} = 0\text{V}$	-5					
V_{OH}	Output High Voltage	VDDO = 3.3V	50 Ω to VDDO / 2	2.6			V	
			$I_{OH} = -100\mu\text{A}$	2.9			V	
		VDDO = 2.5V	50 Ω to VDDO / 2	1.8				V
			$I_{OH} = -100\mu\text{A}$	2.2				V
		VDDO = 1.8V	50 Ω to VDDO / 2	1.2				V
			$I_{OH} = -100\mu\text{A}$	1.6				V
VDDO = 1.5V	50 Ω to VDDO / 2	0.96				V		
	$I_{OH} = -100\mu\text{A}$	1.3				V		
V_{OL}	Output Low Voltage	VDDO = 3.3V	50 Ω to VDDO / 2			0.6	V	
			$I_{OL} = 100\mu\text{A}$			0.2	V	
		VDDO = 2.5V	50 Ω to VDDO / 2			0.6		V
			$I_{OL} = 100\mu\text{A}$			0.2		V
		VDDO = 1.8V	50 Ω to VDDO / 2			0.6		V
			$I_{OL} = 100\mu\text{A}$			0.2		V
VDDO = 1.5V	50 Ω to VDDO / 2			0.6		V		
	$I_{OL} = 100\mu\text{A}$			0.2		V		

AC CHARACTERISTICS, VDD = 3.3V ± 5%, T_A = -45°C to 85°C

Symbol	Parameter	Conditions	Min.	Typ.	Max.	Units
f _{MAX}	Output Frequency	VDDO = 3.3V			250	MHz
		VDDO = 2.5V			250	
		VDDO = 1.8V			250	
		VDDO = 1.5V			250	
tp _{LH}	Propagation Delay, Low-to-High; NOTE 1	VDDO = 3.3V, f ≤ 250MHz	1.2	1.6	2.8	ns
		VDDO = 2.5V, f ≤ 250MHz	1.45	1.9	3.3	
		VDDO = 1.8V, f ≤ 250MHz	2.2	2.8	3.6	
		VDDO = 1.5V, f ≤ 250MHz	3.25	4	4.7	
tsk(o)	Output Skew; NOTE 2	VDDO = 2.5V, 3.3V		68	100	ps
		VDDO = 1.5V, 1.8V		80	150	ps
tsk(pp)	Part-to-Part Skew; NOTE 3			250	800	ps
t _R	Output Rise Time NOTE 4	VDDO = 3.3V	300		800	ps
		VDDO = 2.5V	300		800	
		VDDO = 1.8V	300		800	
		VDDO = 1.5V	600		1000	
t _F	Output Fall Time NOTE 4	VDDO = 3.3V	300		800	ps
		VDDO = 2.5V	300		800	
		VDDO = 1.8V	300		800	
		VDDO = 1.5V	600		1000	
odc	Output Duty Cycle	f ≤ 133MHz	45		55	%
		133MHz < f ≤ 250MHz	40		60	%
t _{jit}	Additive RMS Jitter	156.25MHz (@12kHz to 20MHz)		0.03		ps
		125MHz (@12kHz to 20MHz)		0.05		ps
t _{OED}	Output Disable Time				6	ns
t _{OE}	Output Enable Time				6	ns

Parameters measured at f_{MAX} unless otherwise noted.

NOTE 1: Measured from VDD / 2 of the input to VDDO / 2 of the output.

NOTE 2: Defined as skew between outputs at the same supply voltage and with equal load conditions. Measured at VDDO / 2.

NOTE 3: Defined as skew between outputs on different devices operating at the same supply voltages and with equal load conditions. Using the same type of inputs on each device, the outputs are measured at VDDO / 2.

NOTE 4: Defined from 20% to 80%

AC CHARACTERISTICS, $V_{DD} = 2.5V \pm 5\%$, $T_A = -45^{\circ}C$ to $85^{\circ}C$

Symbol	Parameter	Conditions	Min.	Typ.	Max.	Units
f_{MAX}	Output Frequency	$V_{DDO} = 2.5V$			250	MHz
		$V_{DDO} = 1.8V$			250	
		$V_{DDO} = 1.5V$			250	
t_{pLH}	Propagation Delay, Low-to-High; NOTE 1	$V_{DDO} = 2.5V, f \leq 250MHz$	1.56	2	2.7	ns
		$V_{DDO} = 1.8V, f \leq 250MHz$	2.3	2.9	3.7	
		$V_{DDO} = 1.5V, f \leq 250MHz$	3.34	4	4.83	
$tsk(o)$	Output Skew; NOTE 2	$V_{DDO} = 1.8V, 2.5V$		68	100	ps
		$V_{DDO} = 1.5V$		80	150	ps
$tsk(pp)$	Part-to-Part Skew; NOTE 3			250	800	ps
t_R	Output Rise Time NOTE 4	$V_{DDO} = 2.5V$	300		800	ps
		$V_{DDO} = 1.8V$	300		800	
		$V_{DDO} = 1.5V$	500		1000	
t_F	Output Fall Time NOTE 4	$V_{DDO} = 2.5V$	300		800	ps
		$V_{DDO} = 1.8V$	300		800	
		$V_{DDO} = 1.5V$	500		1000	
odc	Output Duty Cycle	$f \leq 133MHz$	45		55	%
		$133MHz < f \leq 250MHz$	40		60	%
t_{jit}	Additive RMS Jitter	156.25MHz (@12kHz to 20MHz)		0.03		ps
		125MHz (@12kHz to 20MHz)		0.05		ps
t_{OED}	Output Disable Time				10	ns
t_{OE}	Output Enable Time				10	ns

Parameters measured at f_{MAX} unless otherwise noted.

NOTE 1: Measured from $V_{DD} / 2$ of the input to $V_{DDO} / 2$ of the output.

NOTE 2: Defined as skew between outputs at the same supply voltage and with equal load conditions. Measured at $V_{DDO} / 2$.

NOTE 3: Defined as skew between outputs on different devices operating at the same supply voltages and with equal load conditions. Using the same type of inputs on each device, the outputs are measured at $V_{DDO} / 2$.

NOTE 4: Defined from 20% to 80%

AC CHARACTERISTICS, $V_{DD} = 1.8V \pm 0.2V$, $T_A = -45^{\circ}C$ to $85^{\circ}C$

Symbol	Parameter	Conditions	Min.	Typ.	Max.	Units
f_{MAX}	Output Frequency	VDDO = 1.8V			250	MHz
		VDDO = 1.5V			250	
t_{pLH}	Propagation Delay, Low-to-High; NOTE 1	VDDO = 1.8V, $f \leq 250MHz$	2.57	3.25	4	ns
		VDDO = 1.5V, $f \leq 250MHz$	3.57	4.3	5.1	
$tsk(o)$	Output Skew; NOTE 2	VDDO = 1.8V		68	100	ps
		VDDO = 1.5V		80	150	ps
$tsk(pp)$	Part-to-Part Skew; NOTE 3			250	800	ps
t_r	Output Rise Time NOTE 4	VDDO = 1.8V	300		800	ps
		VDDO = 1.5V	500		1000	
t_f	Output Fall Time NOTE 4	VDDO = 1.8V	300		800	ps
		VDDO = 1.5V	500		1000	
odc	Output Duty Cycle	$f \leq 133MHz$	45		55	%
		$133MHz < f \leq 250MHz$	40		60	%
t_{jit}	Additive RMS Jitter	156.25MHz (@12kHz to 20MHz)		0.03		ps
		125MHz (@12kHz to 20MHz)		0.06		ps
t_{OED}	Output Disable Time				14	ns
t_{OE}	Output Enable Time				14	ns

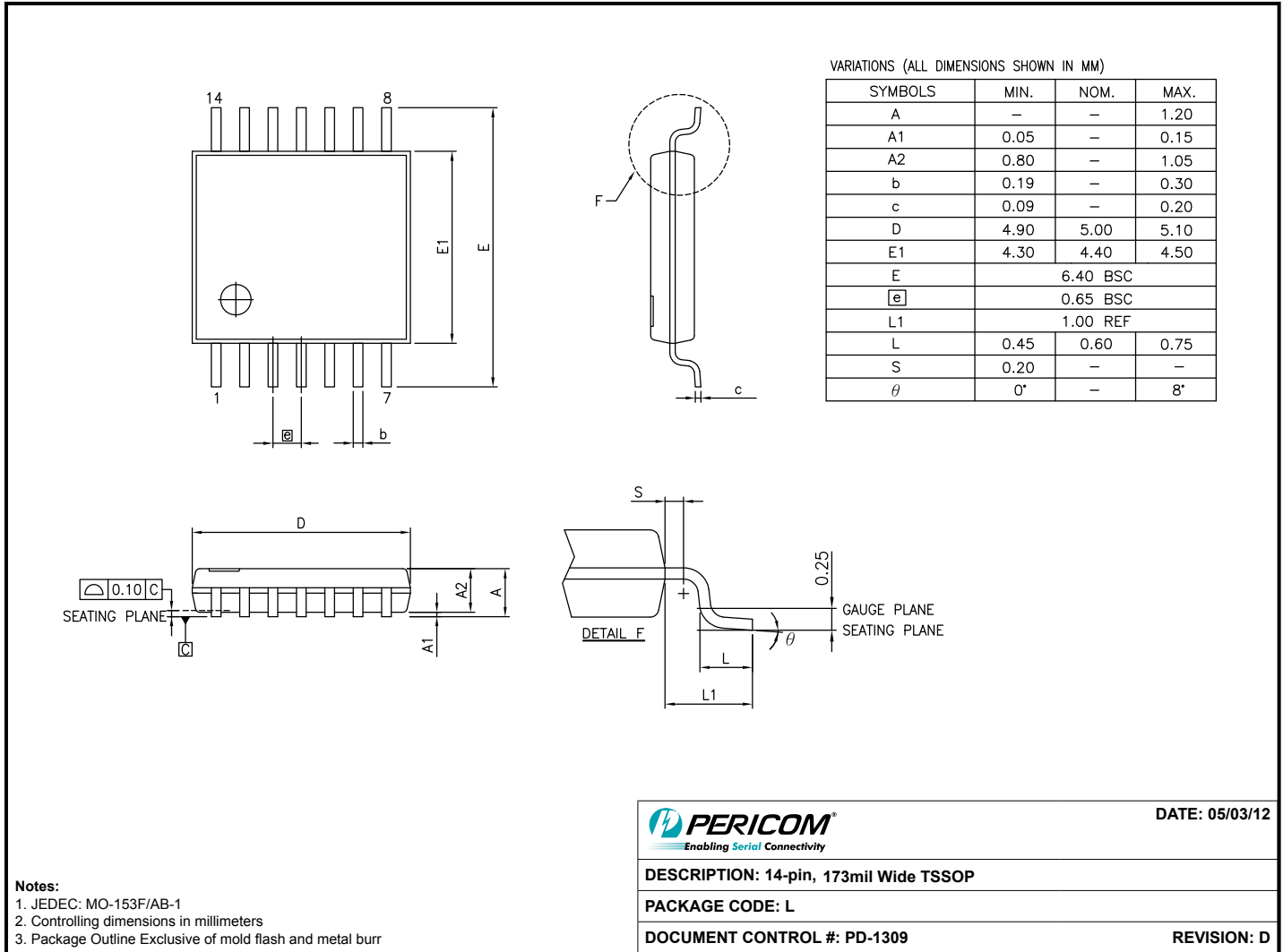
Parameters measured at f_{MAX} unless otherwise noted.

NOTE 1: Measured from VDD /2 of the input to VDDO /2 of the output.

NOTE 2: Defined as skew between outputs at the same supply voltage and with equal load conditions. Measured at VDDO /2.

NOTE 3: Defined as skew between outputs on different devices operating at the same supply voltages and with equal load conditions. Using the same type of inputs on each device, the outputs are measured at VDDO /2.

NOTE 4: Defined from 20% to 80%



	DATE: 05/03/12
DESCRIPTION: 14-pin, 173mil Wide TSSOP	
PACKAGE CODE: L	
DOCUMENT CONTROL #: PD-1309	REVISION: D

Note:

- For latest package info, please check: <http://www.pericom.com/products/packaging/mechanicals.php>

Ordering Information⁽¹⁻³⁾

Ordering Code	Package Code	Package Description
PI6C49X0206TLIE	L	14-pin, Pb-free & Green, TSSOP
PI6C49X0206TLIEX	L	14-pin, Pb-free & Green, TSSOP, Tape & Reel

Notes:

1. Thermal characteristics can be found on the company web site at www.pericom.com/packaging/
2. E = Pb-free and Green
3. Adding an X suffix = Tape/Reel

X-ON Electronics

Largest Supplier of Electrical and Electronic Components

Click to view similar products for [Clock Buffer](#) category:

Click to view products by [Diodes Incorporated](#) manufacturer:

Other Similar products are found below :

[MPC962309EJ-1H](#) [NB4N121KMNG](#) [IDT49FCT805ASO](#) [MK2308S-1HILF](#) [PL133-27GI-R](#) [NB3L02FCT2G](#) [NB3L03FCT2G](#)
[ZL40200LDG1](#) [ZL40205LDG1](#) [9FG1200DF-1LF](#) [9FG1001BGLF](#) [PI49FCT20802QE](#) [PI6C10810HE](#) [NB7L1008MNG](#) [NB7L14MN1G](#)
[PI49FCT20807QE](#) [PI6C4931502-04LIEX](#) [ZL80002QAB1](#) [PI6C4931504-04LIEX](#) [PI6C10806BLEX](#) [ZL40226LDG1](#) [8T73S208B-01NLGI](#)
[SY75578LMG](#) [PI49FCT32805QEX](#) [PL133-27GC-R](#) [MC10LVEP11DG](#) [MC10EP11DTG](#) [MC100LVEP11DG](#) [MC100E111FNG](#)
[MC100EP11DTG](#) [NB7L14MMNG](#) [NB6L14MMNR2G](#) [NB6L611MNG](#) [NB7V58MMNHTBG](#) [NB3N111KMNR4G](#) [ADCLK944BCPZ-R7](#)
[ZL40217LDG1](#) [NB7LQ572MNG](#) [HMC940LC4BTR](#) [9DB801BGLF](#) [ADCLK946BCPZ-REEL7](#) [ADCLK946BCPZ](#) [ADCLK905BCPZ-R2](#)
[ADCLK905BCPZ-R7](#) [ADCLK907BCPZ-R2](#) [ADCLK907BCPZ-WP](#) [ADCLK914BCPZ-R2](#) [ADCLK914BCPZ-R7](#) [ADCLK925BCPZ-R2](#)
[ADCLK925BCPZ-R7](#)