

**PI6C557-03**

**PCI Express Clock**

**Features**

- LVDS compatible outputs
- Supply voltage of 3.3V ±10%
- 25MHz input frequency
- HCSL outputs, 0.7V Current mode differential pair
- Jitter 60ps cycle-to-cycle (typ)
- Spread of ±0.25%, -0.5%, -0.75%, and no spread
- Industrial temperature range
- Totally Lead-Free & Fully RoHS Compliant (Notes 1 & 2)
- Halogen and Antimony Free. “Green” Device (Note 3)
- For automotive applications requiring specific change control (i.e. parts qualified to AEC-Q100/101/200, PPAP capable, and manufactured in IATF 16949 certified facilities), please [contact us](https://www.diodes.com/contact-us) or your local Diodes representative.

<https://www.diodes.com/quality/product-definitions/>

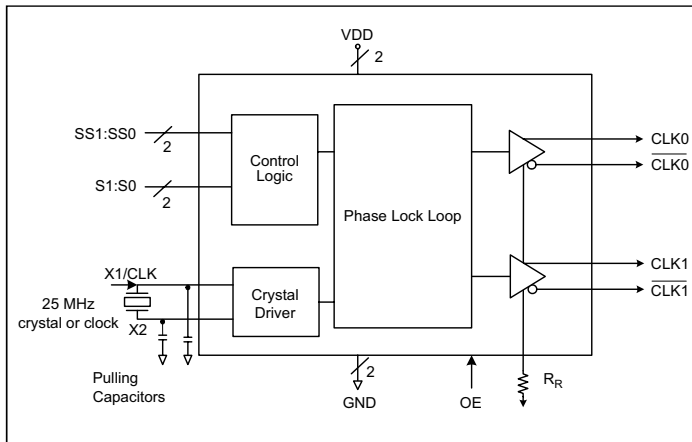
- Packaging: (Pb-free and Green)
  - 16-pin, TSSOP (L)

**Description**

The PI6C557-03 is a spread spectrum clock generator supporting PCI Express and Ethernet requirements. The device is used for PC or embedded systems to substantially reduce Electromagnetic Interference (EMI).

The PI6C557-03 provides two differential (HCSL) spread spectrum outputs. The PI6C557-03 is configured to select spread and clock selection. Using Pericom's patented Phase-Locked Loop (PLL) techniques, the device takes a 25MHz crystal input and produces two pairs of differential outputs (HCSL) at 25MHz, 100MHz, 125MHz and 200MHz clock frequencies. It also provides spread selection of ±0.25%, -0.5%, -0.75%, and no spread.

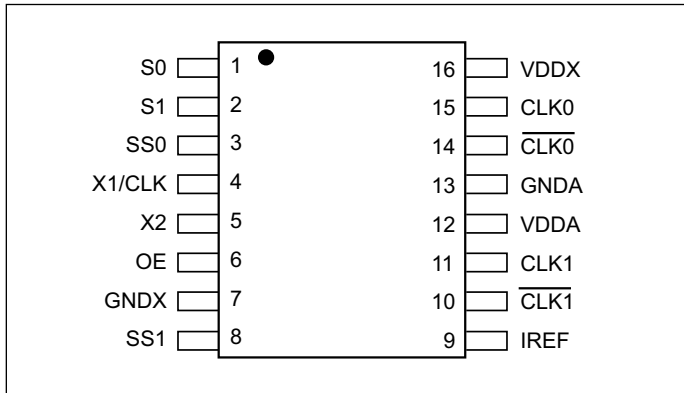
**Block Diagram**



**Notes:**

1. No purposely added lead. Fully EU Directive 2002/95/EC (RoHS), 2011/65/EU (RoHS 2) & 2015/863/EU (RoHS 3) compliant.
2. See <https://www.diodes.com/quality/lead-free/> for more information about Diodes Incorporated's definitions of Halogen- and Antimony-free, "Green" and Lead-free.
3. Halogen- and Antimony-free "Green" products are defined as those which contain <900ppm bromine, <900ppm chlorine (<1500ppm total Br + Cl) and <1000ppm antimony compounds.

## Pin Configuration



## Pin Description

Pin #	Pin Name	I/O Type	Description
1	S0	Input	Select pin 0 (Internal pull-up resistor). See Table 1.
2	S1	Input	Select pin 1 (Internal pull-up resistor). See Table 1.
3	SS0	Input	Spread Select pin 0 (Internal pull-up resistor). See Table 2.
4	X1/CLK	Input	Crystal or clock input. Connect to a 25MHz crystal or single ended clock.
5	X2	Output	Crystal connection. Leave unconnected for clock input.
6	OE	Input	Output enable. Internal pull-up resistor.
7	GNDX	Power	Crystal ground pin.
8	SS1	Input	Spread Select pin 1 (Internal pull-up resistor). See Table 2.
9	IREF	Output	Precision resistor attached to this pin is connected to the internal current reference.
10	CLK1	Output	HCSL compliment clock output
11	CLK1	Output	HCSL clock output
12	VDDA	Power	Connect to a +3.3V source.
13	GNDX	Power	Output and analog circuit ground.
14	CLK0	Output	HCSL compliment clock output
15	CLK0	Output	HCSL clock output
16	VDDX	Power	Connect to a +3.3V source.

Table 1: Output Select Table

S1	S0	CLK(MHz)
0	0	25
0	1	100
1	0	125
1	1	200

Table 2: Spread Selection Table

SS1	SS0	Spread
0	0	Center ±0.25
0	1	Down -0.5
1	0	Down -0.75
1	1	No Spread

## Application Information

### Decoupling Capacitors

Decoupling capacitors of 0.01 $\mu$ F should be connected between each V<sub>DD</sub> pin and the ground plane and placed as close to the V<sub>DD</sub> pin as possible.

### Crystal

Use a 25MHz fundamental mode parallel resonant crystal with less than 300PPM of error across temperature.

### Crystal Capacitors

$C_L$  = Crystals's load capacitance in pF

Crystal Capacitors (pF) =  $(C_L - 8) * 2$

For example, for a crystal with 16pF load caps, the external effective crystal cap would be 16 pF.  $(16-8)*2=16$ .

### Current Source (Iref) Reference Resistor - R<sub>R</sub>

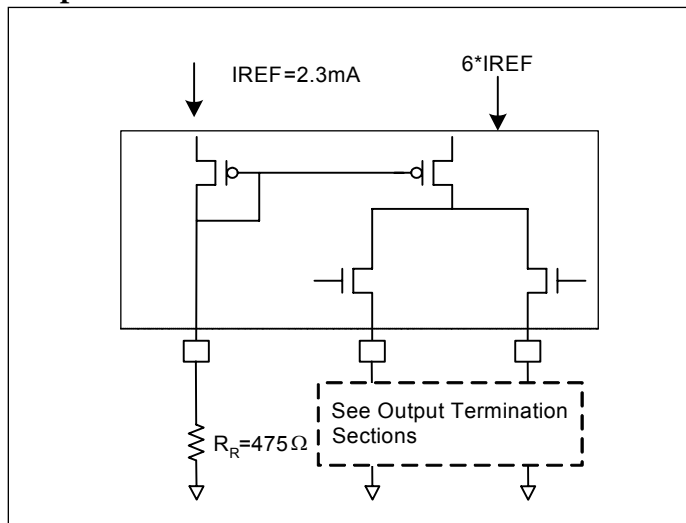
If board target trace impedance is 50 $\Omega$ ,  
then  $R_R = 475\Omega$  providing an IREF of 2.32 mA. The output  
current (I<sub>OH</sub>) is 6\*IREF.

### Output Termination

The PCI Express differential clock outputs of the PI6C557-03 are open source drivers and require an external series resistor and a resistor to ground. These resistor values and their allowable locations are shown in detail in the PCI Express Layout Guidelines section.

The PI6C557-03 can be configured for LVDS compatible voltage levels. See the LVDS Compatible Layout Guidelines section.

## Output Structures



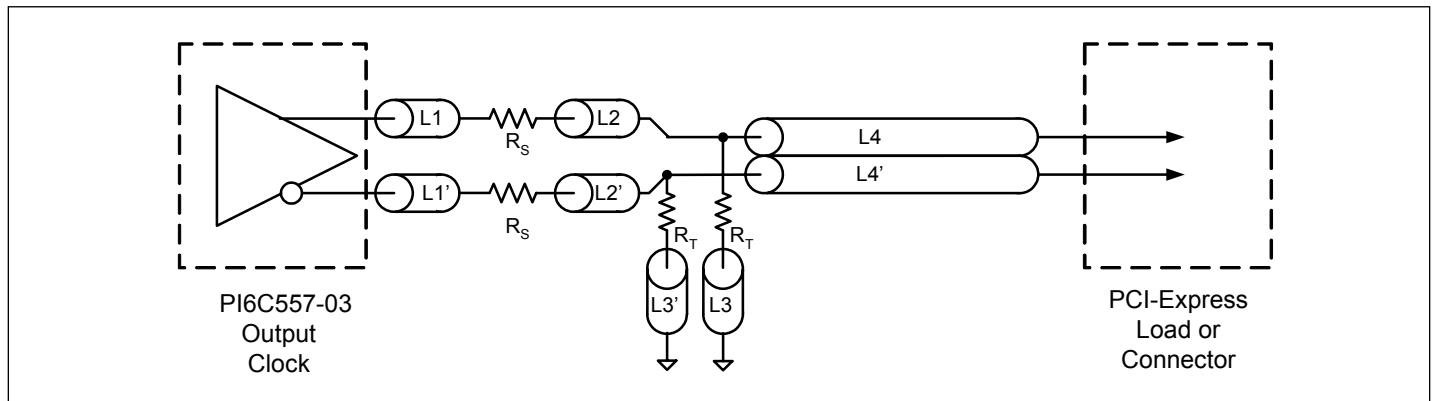
**PCI Express Layout Guidelines**

Common Recommendations for Differential Routing	Dimension or Value	Unit
L1 length, route as non-coupled 50Ω trace.	0.5 max	inch
L2 length, route as non-coupled 50Ω trace.	0.2 max	inch
L3 length, route as non-coupled 50Ω trace.	0.2 max	inch
R <sub>S</sub>	33	Ω
R <sub>T</sub>	49.9	Ω

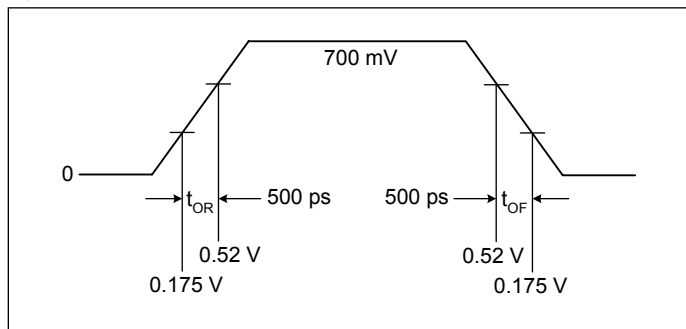
Differential Routing on a Single PCB	Dimension or Value	Unit
L4 length, route as coupled microstrip 100Ω differential trace.	2 min to 16 max	inch
L4 length, route as coupled stripline 100Ω differential trace.	1.8 min to 14.4 max	inch

Differential Routing to a PCI Express connector	Dimension or Value	Unit
L4 length, route as coupled microstrip 100Ω differential trace.	0.25 min to 14 max	inch
L4 length, route as coupled stripline 100Ω differential trace.	0.225 min to 12.6 max	inch

**PCI Express Device Routing**



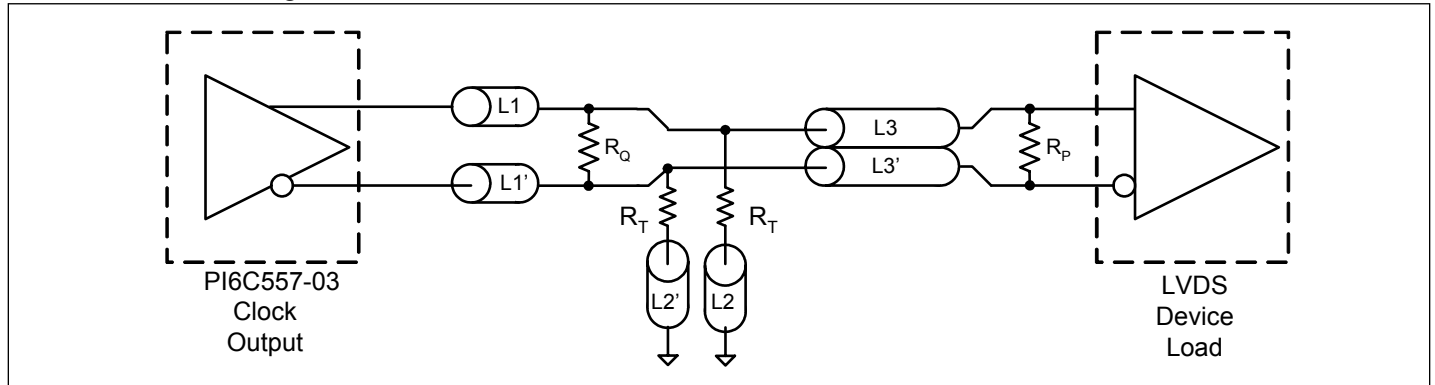
**Typical PCI Express (HCSL) Waveform**



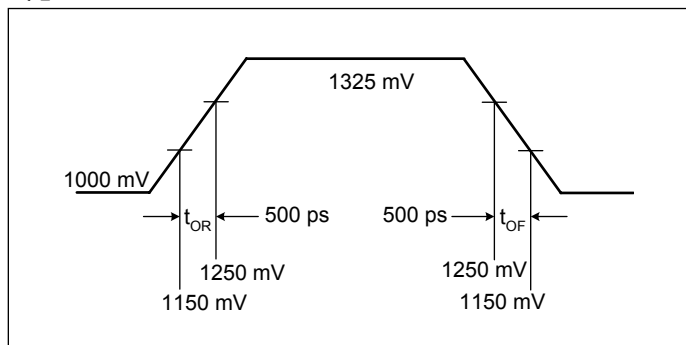
### Application Information

LVDS Recommendations for Differential Routing	Dimension or Value	Unit
L1 length, route as non-coupled 50Ω trace.	0.5 max	inch
L2 length, route as non-coupled 50Ω trace.	0.2 max	inch
$R_P$	100	$\Omega$
$R_Q$	100	$\Omega$
$R_T$	150	$\Omega$
L3 length, route as 100Ω differential trace.		
L3 length, route as 100Ω differential trace.		

### LVDS Device Routing



### Typical LVDS Waveform



## Electrical Specifications

### Maximum Ratings

Supply Voltage to Ground Potential.....	5.5V
All Inputs and Outputs .....	-0.5V to $V_{DD}+0.5V$
Ambient Operating Temperature.....	-40 to +85°C
Storage Temperature.....	-65 to +150°C
Junction Temperature .....	150°C
Soldering Temperature .....	260°C

**Note:**

Stresses greater than those listed under MAXIMUM RATINGS may cause permanent damage to the device. This is a stress rating only and functional operation of the device at these or any other conditions above those indicated in the operational sections of this specification is not implied. Exposure to absolute maximum rating conditions for extended periods may affect reliability.

### Recommended Operation Conditions

Parameter	Min.	Typ.	Max.	Unit
Ambient Operating Temperature	-40		+85	°C
Power Supply Voltage (measured in respect to GND)	+3.0		+3.6	V

### DC Characteristics ( $V_{DD} = 3.3V \pm 10\%$ , $T_A = -40^\circ C$ to $+85^\circ C$ )

Symbol	Parameter	Conditions	Min.	Typ.	Max.	Unit
$V_{DD}$	Supply Voltage		3.0	3.3	3.60	V
$V_{IH}$	Input High Voltage <sup>(1)</sup>	S0, S1, OE, CLK, SS0, SS1	2.0		$V_{DD} + 0.3$	V
$V_{IL}$	Input Low Voltage <sup>(1)</sup>	S0, S1, OE, CLK, SS0, SS1	GND -0.3		0.8	V
$I_{IL}$	Input Leakage Current	$0 < V_{in} < V_{DD}$	With input pull-up and pull-downs	-20	20	$\mu A$
			Without input pull-up and pull-downs	-5	5	
$I_{DD}$	Operating Supply Current	$R_L = 50\Omega$ , $C_L = 2pF$			95	mA
$I_{DDOE}$		OE = LOW			50	mA
$C_{IN}$	Input Capacitance	Input pin capacitance			7	pF
$C_{OUT}$	Output Capacitance	Output pin capacitance			6	pF
$L_{PIN}$	Pin Inductance				5	nH
$R_{OUT}$	Output Resistance	CLK Outputs	3.0			k $\Omega$

**Notes:**

- Single edge is monotonic when transitioning through region.

**AC Characteristics** ( $V_{DD} = 3.3V \pm 10\%$ ,  $T_A = -40^{\circ}C$  to  $+85^{\circ}C$ )

Symbol	Parameter	Conditions	Min.	Typ.	Max.	Unit
$f_{IN}$	Input Frequency			25		MHz
$V_{OUT}$	Output Frequency		25		200	MHz
$V_{OH}$	Output High Voltage <sup>(1,2)</sup>	@ $V_{DD} = 3.3V$	660	700	850	mV
$V_{OL}$	Output Low Voltage <sup>(1,2)</sup>		-150	0		mV
$V_{CPA}$	Crossing Point Voltage <sup>(1,2)</sup>	Absolute	250	350	550	mV
$V_{CN}$	Crossing Point Voltage <sup>(1,2,4)</sup>	Variation over all edges			140	mV
$J_{CC}$	Jitter, Cycle-to-Cycle <sup>(1,3)</sup>			60	100	ps
MF	Modulation Frequency	Spread Spectrum	30	31.5	33	kHz
$t_{OR}$	Rise Time <sup>(1,2)</sup>	From 0.175V to 0.525V	175	332	700	ps
$t_{OF}$	Fall Time <sup>(1,2)</sup>	From 0.525V to 0.175V	175	344	700	ps
$\Delta T_{R/\Delta T}$	Rise/Fall Time Variation <sup>(1,2)</sup>				125	ps
$T_{SKEW}$	Skew between outputs	$V_{DD}/2$			50	ps
$T_{DUTY-CYCLE}$	Duty Cycle <sup>(1,3)</sup>		45		55	%
$T_{OE}$	Output Enable Time <sup>(5)</sup>	All outputs		0.1		$\mu s$
$T_{OT}$	Output Disable Time <sup>(5)</sup>	All outputs		0.1		$\mu s$
$t_{STABLE}$	From power-up to $V_{DD}=3.3V$		1.6	3.0		ms
$t_{SPREAD}$	Setting period after spread change			3.0		ms
$F_{error}$	Synthesizer Error	PLL locked, xtal load is matched and SSC off		0		ppm

**Notes:**

1.  $R_L = 50\Omega$  with  $C_L = 2\text{ pF}$  and  $R_R = 475\Omega$
2. Single-ended waveform
3. Differential waveform
4. Measured at the crossing point
5. CLK pins are tri-stated when OE is LOW

**Thermal Characteristics**

Symbol	Parameter	Conditions	Min.	Typ.	Max.	Unit
$\theta_{JA}$	Thermal Resistance Junction to Ambient	Still air			90	$^{\circ}C/W$
$\theta_{JC}$	Thermal Resistance Junction to Case				24	$^{\circ}C/W$

**Recommended Crystal Specification**

Diodes recommends:

- a) GC2500003 XTAL 49S/SMD(4.0 mm), 25M,  $C_L=18\text{pF}$ ,  $\pm 30\text{ppm}$   
[http://www.pericom.com/pdf/datasheets/se/GC\\_GF.pdf](http://www.pericom.com/pdf/datasheets/se/GC_GF.pdf)
- b) FY2500081, SMD 5x3.2(4P), 25M,  $C_L=18\text{pF}$ ,  $\pm 30\text{ppm}$   
[http://www.pericom.com/pdf/datasheets/se/FY\\_F9.pdf](http://www.pericom.com/pdf/datasheets/se/FY_F9.pdf)
- c) FL2500047, SMD 3.2x2.5(4P), 25M,  $C_L=18\text{pF}$ ,  $\pm 20\text{ppm}$   
<http://www.pericom.com/pdf/datasheets/se/FL.pdf>

**PI6C557-03**

**Part Marking**

L Package Cu

PI6C  
557-03LE  
XYWXX

X: Die Rev  
W: Year & Workweek  
1st X: Assembly Code  
2nd X: Fab Code

L Package Au

PI6C  
557-03LE  
XYWXX

X: Die Rev  
YW: Year & Workweek  
1st X: Assembly Code  
2nd X: Fab Code



**Packaging Mechanical: 16-TSSOP (L)**

SYMBOLS	MIN.	NOM.	MAX.
A	–	–	1.20
A1	0.05	–	0.15
A2	0.80	1.00	1.05
b	0.19	–	0.30
c	0.09	–	0.20
D	4.90	5.00	5.10
E1	4.30	4.40	4.50
E	6.20	6.40	6.60
e	0.65 BSC		
L1	1.00 REF		
L	0.45	0.60	0.75
S	0.20	–	–
$\theta$	0°	–	8°

**NOTES:**  
 1. ALL DIMENSIONS IN MILLIMETERS. ANGLES IN DEGREES.  
 2. JEDEC MO-153F  
 3. DIMENSIONS DOES NOT INCLUDE MOLD FLASH, PROTRUSIONS OR GATE BURRS.

		DATE: 03/24/16
DESCRIPTION: 16-Pin, 173mil Wide TSSOP		
PACKAGE CODE: L (L16)		
DOCUMENT CONTROL #: PD-1310	REVISION: G	

16-0061

**For latest package info.**

please check: <http://www.diodes.com/design/support/packaging/pericom-packaging/packaging-mechanicals-and-thermal-characteristics/>

**Ordering Information**

Ordering Code	Package Code	Package Description
PI6C557-03LEX	L	16-Pin, 173mil Wide (TSSOP)

**Notes:**

1. No purposely added lead. Fully EU Directive 2002/95/EC (RoHS), 2011/65/EU (RoHS 2) & 2015/863/EU (RoHS 3) compliant.
2. See <https://www.diodes.com/quality/lead-free/> for more information about Diodes Incorporated's definitions of Halogen- and Antimony-free, "Green" and Lead-free.
3. Halogen- and Antimony-free "Green" products are defined as those which contain <900ppm bromine, <900ppm chlorine (<1500ppm total Br + Cl) and <1000ppm antimony compounds.
4. E = Pb-free and Green
5. X suffix = Tape/Reel

**IMPORTANT NOTICE**

DIODES INCORPORATED MAKES NO WARRANTY OF ANY KIND, EXPRESS OR IMPLIED, WITH REGARDS TO THIS DOCUMENT, INCLUDING, BUT NOT LIMITED TO, THE IMPLIED WARRANTIES OF MERCHANTABILITY AND FITNESS FOR A PARTICULAR PURPOSE (AND THEIR EQUIVALENTS UNDER THE LAWS OF ANY JURISDICTION).

Diodes Incorporated and its subsidiaries reserve the right to make modifications, enhancements, improvements, corrections or other changes without further notice to this document and any product described herein. Diodes Incorporated does not assume any liability arising out of the application or use of this document or any product described herein; neither does Diodes Incorporated convey any license under its patent or trademark rights, nor the rights of others. Any Customer or user of this document or products described herein in such applications shall assume all risks of such use and will agree to hold Diodes Incorporated and all the companies whose products are represented on Diodes Incorporated website, harmless against all damages.

Diodes Incorporated does not warrant or accept any liability whatsoever in respect of any products purchased through unauthorized sales channel.

Should Customers purchase or use Diodes Incorporated products for any unintended or unauthorized application, Customers shall indemnify and hold Diodes Incorporated and its representatives harmless against all claims, damages, expenses, and attorney fees arising out of, directly or indirectly, any claim of personal injury or death associated with such unintended or unauthorized application.

Products described herein may be covered by one or more United States, international or foreign patents pending. Product names and markings noted herein may also be covered by one or more United States, international or foreign trademarks.

This document is written in English but may be translated into multiple languages for reference. Only the English version of this document is the final and definitive format released by Diodes Incorporated.

**LIFE SUPPORT**

Diodes Incorporated products are specifically not authorized for use as critical components in life support devices or systems without the express written approval of the Chief Executive Officer of Diodes Incorporated. As used herein:

A. Life support devices or systems are devices or systems which:

1. are intended to implant into the body, or

2. support or sustain life and whose failure to perform when properly used in accordance with instructions for use provided in the labeling can be reasonably expected to result in significant injury to the user.

B. A critical component is any component in a life support device or system whose failure to perform can be reasonably expected to cause the failure of the life support device or to affect its safety or effectiveness.

Customers represent that they have all necessary expertise in the safety and regulatory ramifications of their life support devices or systems, and acknowledge and agree that they are solely responsible for all legal, regulatory and safety-related requirements concerning their products and any use of Diodes Incorporated products in such safety-critical, life support devices or systems, notwithstanding any devices- or systems-related information or support that may be provided by Diodes Incorporated. Further, Customers must fully indemnify Diodes Incorporated and its representatives against any damages arising out of the use of Diodes Incorporated products in such safety-critical, life support devices or systems.

Copyright © 2020, Diodes Incorporated

[www.diodes.com](http://www.diodes.com)

## X-ON Electronics

Largest Supplier of Electrical and Electronic Components

*Click to view similar products for* [Clock Generators & Support Products](#) *category:*

*Click to view products by* [Diodes Incorporated](#) *manufacturer:*

Other Similar products are found below :

[CV183-2TPAG](#) [82P33814ANLG/W](#) [8T49N241-002NLGI](#) [950810CGLF](#) [9DBV0741AKILF](#) [9VRS4420DKLF](#) [CY25404ZXI226](#)  
[CY25422SXI-004](#) [MPC9893AE](#) [NB3H5150-01MNTXG](#) [PL602-20-K52TC](#) [PI6LC48P0101LIE](#) [82P33814ANLG](#) [840021AGLF](#)  
[MAX3674ECM+](#) [ZL30244LFG7](#) [PI6LC48C21LE](#) [ZL30245LFG7](#) [PI6LC48P0405LIE](#) [PI6LC48P03LE](#) [MAX24505EXG+](#) [ZL30163GDG2](#)  
[ZL30673LFG7](#) [MAX24188ETK2](#) [ZL30152GGG2](#) [PI6C557-01BZHIEX](#) [PI6LC48C21LIE](#) [PI6C557-03AQEX](#) [5P35023-106NLGI](#)  
[ZL30121GGG2V2](#) [ZL30282LDG1](#) [ZL30102QDG1](#) [ZL30159GGG2](#) [ZL30145GGG2](#) [ZL30312GKG2](#) [MAX24405EXG2](#) [ZL30237GGG2](#)  
[SY100EL34LZG](#) [9FGV1002BQ506LTGI](#) [AD9518-4ABCPZ](#) [MX852BB0030](#) [PI6LC4840ZHE](#) [AD9516-0BCPZ-REEL7](#) [PL602-21TC-R](#)  
[ZL30105QDG1](#) [ZL30100QDG1](#) [ZL30250LDG1](#) [DSC557-0334FI1](#) [DSC557-0343FI1](#) [AB-557-03-HCHC-F-L-C-T](#)