

**PI6CB33202**

**Very-Low-Power Two-Output PCIe Clock Buffer With On-Chip Termination**

**Features**

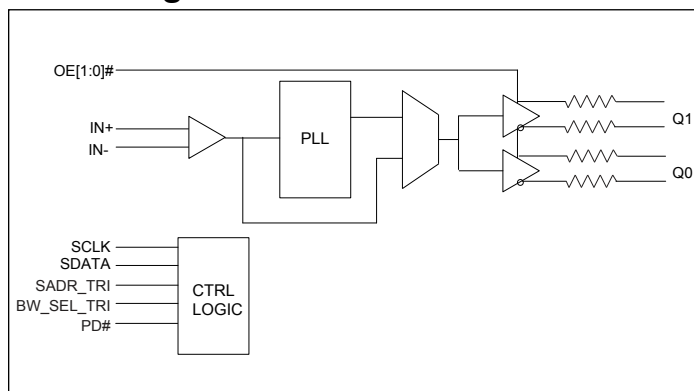
- 3.3V Supply Voltage
- HCSL Input: 100MHz; Also supports 50MHz, 125MHz, or 133.33MHz via SMBus
- Two Differential Low-Power HCSL Outputs with On-Chip Termination
- Default  $Z_{OUT} = 85\Omega$
- Spread Spectrum Tolerant
- Individual Output Enable
- Programmable Slew Rate and Output Amplitude for Each Output
- Differential Outputs Blocked until PLL is Locked
- Strapping Pins or SMBus for Configuration
- Differential output-to-output skew <50ps
- Very low jitter outputs
  - ◆ Differential cycle-to-cycle jitter <50ps
  - ◆ PCIe Gen1/Gen2/Gen3/Gen4/Gen5 CC compliant
  - ◆ PCIe Gen 2 and 3 SRiS and SRnS compliant
- Totally Lead-Free & Fully RoHS Compliant (Notes 1 & 2)
- Halogen and Antimony Free. “Green” Device (Note 3)
- For automotive applications requiring specific change control (i.e. parts qualified to AEC-Q100/101/200, PPAP capable, and manufactured in IATF 16949 certified facilities), please [contact us](https://www.diodes.com/quality/product-definitions/) or your local Diodes representative.
- Packaging (Pb-free & Green):
  - ◆ 24-lead 4mm × 4mm TQFN

**Description**

The PI6CB33202 is a two-output very-low-power PCIe Gen1/Gen2/Gen3/Gen4/Gen5 clock buffer. It takes a reference input to fan out two 100MHz low-power differential HCSL outputs with on-chip terminations. The on-chip termination can save eight external resistors and make layout easier. Individual OE pin for each output provides easier power management.

It uses Diodes proprietary PLL design to achieve very-low jitter that meets PCIe Gen1/Gen2/Gen3/Gen4/Gen5 requirements. Other than PCIe 100MHz support, this device also support Ethernet application with 50MHz, 125MHz, and 133.33MHz via SMBus. It provides various options such as different slew rate and amplitude through SMBUS, so users can configure the device easily to get the optimized performance for their individual boards.

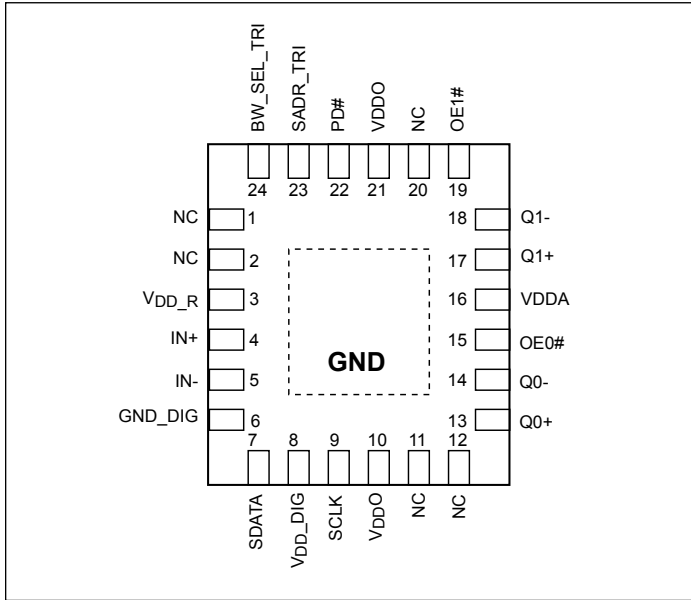
**Block Diagram**



**Notes:**

1. No purposely added lead. Fully EU Directive 2002/95/EC (RoHS), 2011/65/EU (RoHS 2) & 2015/863/EU (RoHS 3) compliant.
2. See <https://www.diodes.com/quality/lead-free/> for more information about Diodes Incorporated’s definitions of Halogen- and Antimony-free, “Green” and Lead-free.
3. Halogen- and Antimony-free “Green” products are defined as those which contain <900ppm bromine, <900ppm chlorine (<1500ppm total Br + Cl) and <1000ppm antimony compounds.

## Pin Configuration



## Pin Description

| Pin Number | Pin Name            | Type             |      | Description   |
|------------|---------------------|------------------|------|---|
| 1          | NC                  | —                | —    | Internal connected for feedback loop. Do not connect this pin.  |
| 2          | NC                  | —                | —    | Internal connected for feedback loop. Do not connect this pin.  |
| 3          | V <sub>DD_R</sub>   | Power            | —    | Power supply for input differential buffers   |
| 4          | IN+                 | Input            | —    | Differential true clock input   |
| 5          | IN-                 | Input            | —    | Differential complementary clock input  |
| 6          | GND_DIG             | Power            | —    | Ground for digital circuitry  |
| 7          | SDATA               | Input/<br>Output | CMOS | SMBUS data line, 3.3V tolerant  |
| 8          | V <sub>DD_DIG</sub> | Power            | —    | Power supply for digital circuitry, nominal 3.3V  |
| 9          | SCLK                | Input            | CMOS | SMBUS clock input, 3.3V tolerant  |
| 10         | V <sub>DDO</sub>    | Power            | —    | Power supply for differential outputs   |
| 11         | NC                  | —                | —    | Do not connect this pin.  |
| 12         | NC                  | —                | —    | Do not connect this pin.  |
| 13         | Q0+                 | Output           | HCSL | Differential true clock output  |
| 14         | Q0-                 | Output           | HCSL | Differential complementary clock output   |
| 15         | OE0#                | Input            | CMOS | Active-low input for enabling Q0 pair. This pin has an internal pulldown.<br>1 =disable outputs, 0 = enable outputs |
| 16         | V <sub>DDA</sub>    | Power            | —    | Power supply for analog circuitry   |
| 17         | Q1+                 | Output           | HCSL | Differential true clock output  |

**Pin Description Cont.**

| Pin Number | Pin Name         | Type   |           | Description  |
|------------|------------------|--------|-----------|--|
| 18         | Q1-              | Output | HCSL      | Differential complementary clock output  |
| 19         | OE1#             | Input  | CMOS      | Active low input for enabling Q1 pair. This pin has an internal pulldown. 1 =disable outputs, 0 = enable outputs   |
| 20         | NC               | —      | —         | Do not connect this pin.   |
| 21         | V <sub>DDO</sub> | Power  | —         | Power supply for differential outputs  |
| 22         | PD#              | Input  | CMOS      | Input notifies device to sample latched inputs and start up on first high assertion. Low enters Power Down Mode, subsequent high assertions exit Power Down Mode. This pin has internal pullup resistor. |
| 23         | SADR_TRI         | Input  | Tri-level | Latch to select SMBus Address. This pin has an internal pulldown.  |
| 24         | BW_SEL_TRI       | Input  | Tri-level | Latch to select low-loop bandwidth, bypass PLL, and high-loop bandwidth. This pin has both internal pullup and pulldown.   |
|            | EPAD             | Power  | —         | Connect to ground.   |

**PI6CB33202**

### SMBus Address Selection Table

|   | SADR | Address | +Read/Write Bit |
|---|------|---------|-----------------|
| State of SADR on First Application of PD# | 0    | 1101011 | X               |
|   | M    | 1101100 | X               |
|   | 1    | 1101101 | X               |

### Power Management Table<sup>(1)</sup>

| PD# | IN      | SMBus OE bit | OEn# | Qn+                | Qn-                | PLL Status        |
|-----|---------|--------------|------|--------------------|--------------------|-------------------|
| 0   | X       | X            | X    | Low <sup>(2)</sup> | Low <sup>(2)</sup> | Off               |
| 1   | Running | 0            | X    | Low <sup>(2)</sup> | Low <sup>(2)</sup> | On <sup>(1)</sup> |
| 1   | Running | 1            | 0    | Running            | Running            | On <sup>(1)</sup> |
| 1   | Running | 1            | 1    | Low <sup>(2)</sup> | Low <sup>(2)</sup> | On <sup>(1)</sup> |

**Note:**

1. If PLL Bypass mode is selected, the PLL will be off and outputs will be running.
2. The output state is set by B11[1:0] (Low/Low default).

### PLL Operating Mode Select Table

| BW_SEL_TRI | Operating Mode          | Byte1 [7:6] Readback | Byte1 [4:3] Control |
|------------|-------------------------|----------------------|---------------------|
| 0          | PLL with Low Bandwidth  | 00                   | 00                  |
| M          | PLL Bypass              | 01                   | 01                  |
| 1          | PLL with High Bandwidth | 11                   | 11                  |

### Frequency Select table

| Freq. Select Byte 3 [4:3] | IN (MHz) | Qn (MHz) |
|---------------------------|----------|----------|
| 00 (default)              | 100      | 100      |
| 01                        | 50       | 50       |
| 10                        | 125      | 125      |
| 11                        | 133.33   | 133.33   |

## Maximum Ratings

(Above which useful life may be impaired. For user guidelines, not tested.)

|  |  |
|--|--|
| Storage Temperature.....                             | -65°C to +150°C                          |
| Supply Voltage to Ground Potential, $V_{DDxx}$ ..... | -0.5V to +4.6V                           |
| Input Voltage .....                                  | -0.5V to $V_{DD}+0.5V$ , not exceed 4.6V |
| SMBus, Input High Voltage .....                      | 3.6V                                     |
| ESD Protection (HBM) .....                           | 2000 V                                   |
| Junction Temperature .....                           | 125°C max                                |

**Note:**

Stresses greater than those listed under MAXIMUM RATINGS may cause permanent damage to the device. This is a stress rating only and functional operation of the device at these or any other conditions above those indicated in the operational sections of this specification is not implied. Exposure to absolute maximum rating conditions for extended periods may affect reliability.

## Operating Conditions

Temperature =  $T_A$ ; Supply voltages per normal operation conditions; See test circuits for the load conditions

| Symbol   | Parameters  | Conditions   | Min.  | Typ. | Max.  | Units |
|--|---|--|-------|------|-------|-------|
| $V_{DDO}$ ,<br>$V_{DDA}$ ,<br>$V_{DD\_R}$ ,<br>$V_{DD\_DIG}$ | Power Supply Voltage  | —  | 3.135 | 3.3  | 3.465 | V     |
| $I_{DDA}$  | Analog Power Supply Current   | $V_{DDA}$ , PLL mode,<br>All outputs active @100MHz              | —     | 21   | 25    | mA    |
| $I_{DD\_DIG}$  | Digital Power Supply Current  | $V_{DD\_DIG}$ ,<br>All outputs active @ 100MHz                   | —     | 0.1  | 1     | mA    |
| $I_{DDO+R}$  | Power Supply Current for Inputs and Outputs <sup>(2)</sup>            | $V_{DDO} + V_{DD\_R}$ , PLL mode,<br>All outputs active @ 100MHz | —     | 38   | 44    | mA    |
| $I_{DDA\_PD}$  | Analog Power Supply Power Down <sup>(1)</sup> Current                 | $V_{DDA}$ , PLL mode,<br>All outputs LOW/LOW                     | —     | 0.5  | 1     | mA    |
| $I_{DD\_DIG\_PD}$  | Power Supply Power Down <sup>(1)</sup> Current                        | $V_{DD\_DIG}$ , All outputs LOW/LOW                              | —     | 0.1  | 1     | mA    |
| $I_{DDO\_R\_PD}$   | Power Supply Current Power Down <sup>(1)</sup> for Inputs and Outputs | $V_{DDO}$ , $V_{DD\_R}$<br>All outputs LOW/LOW                   | —     | 1    | 2     | mA    |
| $T_A$  | Ambient Temperature   | Industrial grade   | -40   | —    | 85    | °C    |

**Note:**

1. Input clock is not running.
2. Outputs drive 5 inch trace.

## Input Electrical Characteristics

| Symbol    | Parameters                   | Conditions | Min. | Typ. | Max. | Units |
|-----------|------------------------------|------------|------|------|------|-------|
| $R_{pu}$  | Internal Pullup Resistance   | —          | —    | 120  | —    | kΩ    |
| $R_{dn}$  | Internal Pulldown Resistance | —          | —    | 120  | —    | kΩ    |
| $L_{PIN}$ | Pin Inductance               | —          | —    | —    | 7    | nH    |

## SMBus Electrical Characteristics

Temperature =  $T_A$ ; Supply voltages per normal operation conditions; See test circuits for the load conditions

| Symbol        | Parameters                | Conditions                                       | Min.                | Typ. | Max. | Units |
|---------------|---------------------------|--|---------------------|------|------|-------|
| $V_{DDSMB}$   | Nominal bus voltage       | —  | 2.7                 | —    | 3.6  | V     |
| $V_{IHSMB}$   | SMBus Input High Voltage  | SMBus, $V_{DDSMB} = 3.3V$                        | 2.1                 | —    | 3.6  | V     |
|               |                           | SMBus, $V_{DDSMB} < 3.3V$                        | 0.65<br>$V_{DDSMB}$ | —    | —    |       |
| $V_{ILSMB}$   | SMBus Input Low Voltage   | SMBus, $V_{DDSMB} = 3.3V$                        | —                   | —    | 0.8  | V     |
|               |                           | SMBus, $V_{DDSMB} < 3.3V$                        | —                   | —    | 0.8  |       |
| $I_{SMBSINK}$ | SMBus Sink Current        | SMBus, at $V_{OLSMB}$                            | 4                   | —    | —    | mA    |
| $V_{OLSMB}$   | SMBus Output Low Voltage  | SMBus, at $I_{SMBSINK}$                          | —                   | —    | 0.4  | V     |
| $f_{MAXSMB}$  | SMBus Operating Frequency | Maximum frequency                                | —                   | —    | 500  | kHz   |
| $t_{RMSB}$    | SMBus Rise Time           | (Max $V_{IL} - 0.15$ ) to (Min $V_{IH} + 0.15$ ) | —                   | —    | 1000 | ns    |
| $t_{FMSB}$    | SMBus Fall Time           | (Min $V_{IH} + 0.15$ ) to (Max $V_{IL} - 0.15$ ) | —                   | —    | 300  | ns    |

## LVC MOS DC Electrical Characteristics

Temperature =  $T_A$ ; Supply voltages per normal operation conditions; See test circuits for the load conditions

| Symbol   | Parameters         | Conditions   | Min.             | Typ.        | Max.           | Units   |
|----------|--------------------|--|------------------|-------------|----------------|---------|
| $V_{IH}$ | Input High Voltage | Single-ended inputs, except SMBus                                    | 0.75<br>$V_{DD}$ | —           | $V_{DD} + 0.3$ | V       |
| $V_{IM}$ | Input Mid Voltage  | SADR_TRI, BW_SEL_TRI   | $0.4V_{DD}$      | $0.5V_{DD}$ | $0.6V_{DD}$    | V       |
| $V_{IL}$ | Input Low Voltage  | Single-ended inputs, except SMBus                                    | -0.3             | —           | $0.25V_{DD}$   | V       |
| $I_{IH}$ | Input High Current | Single-ended inputs, $V_{IN} = V_{DD}$                               | —                | —           | 5              | $\mu A$ |
| $I_{IL}$ | Input Low Current  | Single-ended inputs, $V_{IN} = 0V$                                   | -5               | —           | —              | $\mu A$ |
| $I_{IH}$ | Input High Current | Single-ended inputs with pullup/pulldown resistor, $V_{IN} = V_{DD}$ | —                | —           | 50             | $\mu A$ |
| $I_{IL}$ | Input Low Current  | Single-ended inputs with pullup/pulldown resistor, $V_{IN} = 0V$     | -50              | —           | —              | $\mu A$ |
| $C_{IN}$ | Input Capacitance  | —  | 1.5              | —           | 5              | pF      |

## LVCMOS AC Electrical Characteristics

Temperature = T<sub>A</sub>; Supply voltages per normal operation conditions; See test circuits for the load conditions

| Symbol              | Parameters            | Conditions   | Min. | Typ. | Max. | Units  |
|---------------------|-----------------------|--|------|------|------|--------|
| t <sub>OE</sub> LAT | Output Enable Latency | Q start after OE# assertion<br>Q stop after OE# de-assertion | 1    | —    | 3    | clocks |
| t <sub>PD</sub> LAT | PD# De-assertion      | Differential outputs enable after PD# de-assertion           | —    | 20   | 300  | μs     |

## HCSL Input Characteristics<sup>(1)</sup>

Temperature = T<sub>A</sub>; Supply voltages per normal operation conditions; See test circuits for the load conditions

| Symbol                      | Parameters                              | Conditions  | Min.   | Typ.   | Max.   | Units |
|-----------------------------|---|---|--------|--------|--------|-------|
| V <sub>IHDIF</sub>          | Diff. Input High Voltage <sup>(3)</sup> | IN+, IN-, single-end measurement  | 600    | 800    | 1150   | mV    |
| V <sub>ILDIF</sub>          | Diff. Input Low Voltage <sup>(3)</sup>  | IN+, IN-, single-end measurement  | -300   | 0      | 300    | mV    |
| V <sub>COM</sub>            | Diff. Input Common Mode Voltage         |   | 150    |        | 900    | mV    |
| V <sub>SWING</sub>          | Diff. Input Swing Voltage               | Peak to peak value (V <sub>IHDIF</sub> - V <sub>ILDIF</sub> )   | 300    |        | 2900   | mV    |
| f <sub>INBP</sub>           | Input Frequency                         | PLL Bypass mode   | 1      |        | 200    | MHz   |
| f <sub>IN100</sub>          | Input Frequency                         | 100MHz PLL  | 99.9   | 100    | 100.1  | MHz   |
| f <sub>IN133</sub>          | Input Frequency                         | 133MHz PLL  | 133.2  | 133.33 | 133.46 | MHz   |
| f <sub>IN125</sub>          | Input Frequency                         | 125MHz PLL  | 124.87 | 125    | 125.12 | MHz   |
| f <sub>IN50</sub>           | Input Frequency                         | 50MHz PLL   | 49.95  | 50     | 50.05  | MHz   |
| f <sub>MODI-PCIE</sub>      | Input SS Modulation Freq. PCIe          | Allowable frequency for PCIe applications (Triangular Modulation)                                     | 30     |        | 33     | kHz   |
| f <sub>MODIN-non-PCIE</sub> | Input SS Modulation Freq. non-PCIE      | Allowable frequency for non-PCIe applications (Triangular Modulation)                                 | 0      |        | 46     | kHz   |
| t <sub>STAB</sub>           | Clock stabilization                     | From V <sub>DD</sub> Power-Up and after input clock stabilization or de-assertion of PD# to 1st clock |        | 0.75   | 1.0    | ms    |
| t <sub>RF</sub>             | Diff. Input Slew Rate <sup>(2)</sup>    | Measured differentially   | 0.4    |        |        | V/ns  |
| I <sub>IN</sub>             | Diff. Input Leakage Current             | V <sub>IN</sub> = V <sub>DD</sub> , V <sub>IN</sub> = GND   | -5     | 0.01   | 5      | uA    |
| t <sub>DC</sub>             | Diff. Input Duty Cycle                  | Measured differentially   | 45     |        | 55     | %     |
| t <sub>jC-c</sub>           | Diff. Input Cycle to cycle jitter       | Measured differentially   |        |        | 125    | ps    |

**Note:**

1. Guaranteed by design and characterization, not 100% tested in production
2. Slew rate measured through +/-75mV window centered around differential zero
3. The device can be driven by a single-ended clock by driving the true clock and biasing the complement clock input to the V<sub>bias</sub>, where V<sub>bias</sub> is (V<sub>IH</sub>-V<sub>IL</sub>)/2

## HCSL Output Characteristics

Temperature = T<sub>A</sub>; Supply voltages per normal operation conditions; See test circuits for the load conditions

| Symbol            | Parameters  | Condition   | Min. | Typ. | Max. | Units |
|-------------------|---|---|------|------|------|-------|
| V <sub>OH</sub>   | Output Voltage High <sup>(1)</sup>                  | Statistical measurement on single-ended signal using oscilloscope math function | 660  | 784  | 850  | mV    |
| V <sub>OL</sub>   | Output Voltage Low <sup>(1)</sup>                   |   | -150 | —    | 150  | mV    |
| V <sub>OMAX</sub> | Output Voltage Maximum <sup>(1)</sup>               | Measurement on single ended signal using absolute value                         | —    | 816  | 1150 | mV    |
| V <sub>OMIN</sub> | Output Voltage Minimum <sup>(1)</sup>               |   | -300 | -42  | —    | mV    |
| V <sub>OC</sub>   | Output Cross Voltage <sup>(1,2,4)</sup>             | —   | 250  | 430  | 550  | mV    |
| DV <sub>OC</sub>  | V <sub>OC</sub> Magnitude Change <sup>(1,2,5)</sup> | —   | —    | 12   | 140  | mV    |

**Note:**

1. At default SMBUS amplitude settings.
2. Guaranteed by design and characterization—not 100% tested in production.
3. Measured from differential waveform.
4. This one is defined as voltage where Q+ = Q- measured on a component test board and only applied to the differential rising edge.
5. The total variation of all V<sub>cross</sub> measurements in any particular system. This is a subset of V<sub>cross\_min/max</sub> allowed.

## HCSL Output AC Characteristics

Temperature = T<sub>A</sub>; Supply voltages per normal operation conditions; See test circuits for the load conditions

| Symbol                       | Parameters                             | Condition  | Min. | Typ. | Max.   | Units |
|------------------------------|--|--|------|------|--------|-------|
| f <sub>OUT</sub>             | Output Frequency                       | —  | 50   | 100  | 133.33 | MHz   |
| BW                           | PLL Bandwidth <sup>(1,8)</sup>         | -3dB point in High-Bandwidth Mode                            | 1.3  | 3.2  | 3.6    | MHz   |
|                              |  | -3dB point in Low-Bandwidth Mode                             | 0.7  | 1.7  | 1.9    | MHz   |
| t <sub>jpeak</sub>           | PLL Jitter Peaking <sup>(1)</sup>      | Peak pass band gain  | —    | 0.8  | 2      | dB    |
| t <sub>RF</sub>              | Slew Rate <sup>(1,2,3)</sup>           | Scope averaging on fast setting                              | 2.5  | 3.2  | 4.0    | V/ns  |
|                              |  | Scope averaging on slow setting                              | 2.2  | 3.0  | 3.7    | V/ns  |
| D <sub>TRF</sub>             | Slew Rate Matching <sup>(1,2,4)</sup>  | Scope averaging on   | —    | 7    | 15     | %     |
| t <sub>SKEW</sub>            | Output Skew <sup>(1,2)</sup>           | Averaging on, V <sub>T</sub> = 50%                           | —    | 11   | 50     | ps    |
| t <sub>PDELAY</sub>          | Propagation Delay                      | PLL Bypass mode, V <sub>T</sub> = 50%                        | 2000 | 2500 | 3000   | ps    |
|                              |  | PLL mode, V <sub>T</sub> = 50%                               | -200 | 90   | 200    | ps    |
| t <sub>DC</sub>              | Duty Cycle <sup>(1,2)</sup>            | Measured differentially, PLL Mode                            | 45   | 50   | 55     | %     |
| t <sub>D<sub>CD</sub></sub>  | Duty Cycle Distortion <sup>(1,7)</sup> | Measured differentially, PLL Bypass Mode at 100MHz           | -3.5 | 0    | 3.5    | %     |
| t <sub>D<sub>CD</sub></sub>  | Duty Cycle Distortion <sup>(1,7)</sup> | Measured differentially, SE input, PLL Bypass Mode at 100MHz | -10  | 0    | 10     | %     |
| t <sub>j<sub>c-c</sub></sub> | Cycle-to-Cycle Jitter <sup>(1,2)</sup> | PLL mode   | —    | 14   | 50     | ps    |
|                              |  | Additive jitter, Bypass mode                                 | —    | 0.1  | 1      | ps    |



### HCSL Output AC Characteristics (Jitter)

| Symbol                 | Parameters   | Condition   | Min. | Typ. | Max. | Spec Limit | Units   |
|------------------------|--|---|------|------|------|------------|---------|
| t <sub>JPHASEPLL</sub> | Integrated Phase Jitter PLL Mode (RMS) <sup>(1,5)</sup>    | PCIe Gen 1 <sup>(6)</sup>   | —    | 25   | 35   | 86         | ps(p-p) |
|                        |  | PCIe Gen 2 Low Band, 10kHz < f < 1.5MHz   | —    | 0.6  | 0.8  | 3          | ps      |
|                        |  | PCIe Gen 2 High Band, 1.5MHz < f < Nyquist (50MHz)                                    | —    | 0.7  | 1.2  | 3.1        | ps      |
|                        |  | PCIe Gen 3 (PLL BW of 2-4 or 2-5MHz, CDR =10MHz)                                      | —    | 0.25 | 0.4  | 1          | ps      |
|                        |  | PCIe Gen 4 (PLL BW of 2-4 or 2-5MHz, CDR =10MHz)                                      | —    | 0.25 | 0.4  | 0.5        | ps      |
|                        |  | PCIe Gen 5 <sup>(11)</sup> (PLL BW of 500k to 1.8MHz. CDR =20MHz)                     | —    | 0.07 | 0.12 | 0.15       | ps      |
|                        |  | 125MHz, 1.5MHz to 20MHz, -20dB/decade Rollover < 1.5MHz, -40dB/decade rolloff > 10MHz | —    | 0.15 | 0.3  | —          | ps      |
|                        |  | 133.33MHz   | —    | 0.15 | 0.3  | —          | ps      |
| t <sub>JPHASEA</sub>   | Additive Integrated Phase Jitter (RMS) <sup>(1,5,10)</sup> | PCIe Gen 1  | —    | 0.01 | 0.05 | —          | ps(p-p) |
|                        |  | PCIe Gen 2 Low Band, 10kHz < f < 1.5MHz   | —    | 0.01 | 0.05 | —          | ps      |
|                        |  | PCIe Gen 2 High Band, 1.5MHz < f < Nyquist (50MHz)                                    | —    | 0.01 | 0.05 | —          | ps      |
|                        |  | PCIe Gen 3 (PLL BW of 2-4 or 2-5MHz, CDR =10MHz)                                      | —    | 0.01 | 0.05 | —          | ps      |
|                        |  | PCIe Gen 4 (PLL BW of 2-4 or 2-5MHz, CDR =10MHz)                                      | —    | 0.01 | 0.05 | —          | ps      |
|                        |  | PCIe Gen 5 <sup>(11)</sup> (PLL BW of 500k to 1.8MHz. CDR =20MHz)                     | —    | 0.01 | 0.05 | —          | ps      |
|                        |  | 125MHz, 1.5MHz to 20MHz, -20dB/decade Rollover < 1.5MHz, -40dB/decade rolloff > 10MHz | —    | 0.01 | 0.05 | —          | ps      |
|                        |  | 133.33MHz   | —    | 0.01 | 0.05 | —          | ps      |
|                        |  | 156.25MHz 12k to 20MHz  | —    | 0.01 | 0.05 | —          | ps      |

**Note:**

1. Guaranteed by design and characterization—not 100% tested in production.
2. Measured from differential waveform.
3. Slew rate is measured through the Vswing voltage range centered around differential 0V, within ±150mV window.
4. Slew rate matching is measured through ±75mV window centered around differential zero.
5. See <http://www.pcisig.com> for complete specs.
6. Sample size of at least 100k cycles. This can be extrapolated to 108ps pk-pk @ 1M cycles for a BER of 10<sup>-12</sup>.
7. Duty cycle distortion is the difference in duty cycle between the output and input clock when the device is operated in the PLL bypass mode.
8. The minimum and maximum values of each BW setting track each other, low BW maximum will never occur with high BW minimum.
9. Applies to all differential outputs.
10. For additive jitter RMS value is calculated by the following equation = SQRT [(total jitter)<sup>2</sup> - (input jitter)<sup>2</sup>].
11. PCIe Gen 5 v0.9 specification.

## SMBus Serial Data Interface

PI6CB33202 is a slave-only device that supports block-read and block-write protocol using a single 7-bit address and read/write bit as shown below.

Read and write block transfers can be stopped after any complete byte transfer.

### Address Assignment

| A6 | A5 | A4 | A3 | A2                                | A1 | A0 | R/W |
|----|----|----|----|-----------------------------------|----|----|-----|
| 1  | 1  | 0  | 1  | See SBMus Address Selection table |    |    | 1/0 |

Note: SMBus address is latched on SADR pin

### How to Write

| 1 bit     | 7 bits | 1 bit | 1 bit | 8 bits                      | 1 bit | 8 bits              | 1 bit | 8 bits                  | 1 bit |       | 8 bits            | 1 bit | 1 bit    |
|-----------|--------|-------|-------|-----------------------------|-------|---------------------|-------|-------------------------|-------|-------|-------------------|-------|----------|
| Start bit | Add.   | W(0)  | Ack   | Beginning Byte location = N | Ack   | Data Byte count = X | Ack   | Beginning Data Byte (N) | Ack   | ..... | Data Byte (N+X-1) | Ack   | Stop bit |

### How to Read

| 1 bit     | 7 bits  | 1 bit | 1 bit | 8 bits                      | 1 bit | 1 bit            | 7 bits  | 1 bit | 1 bit | 8 bits              | 1 bit | 8 bits                  | 1 bit |
|-----------|---------|-------|-------|-----------------------------|-------|------------------|---------|-------|-------|---------------------|-------|-------------------------|-------|
| Start bit | Address | W(0)  | Ack   | Beginning Byte location = N | Ack   | Repeat Start bit | Address | R(1)  | Ack   | Data Byte count = X | Ack   | Beginning Data Byte (N) | Ack   |

|       |  |  |  |  |  |  |  |  |  |  | 8 bits            | 1 bit | 1 bit    |
|-------|--|--|--|--|--|--|--|--|--|--|-------------------|-------|----------|
| ..... |  |  |  |  |  |  |  |  |  |  | Data Byte (N+X-1) | NAck  | Stop bit |

### Byte 0: Output Enable Register

| Bit | Control Function | Description      | Type | Power-up Condition | 0            | 1           |
|-----|------------------|------------------|------|--------------------|--------------|-------------|
| 7   | Reserved         | —                | —    | 0                  | See B11[1:0] | Pin control |
| 6   | Reserved         | —                | —    | 0                  |              |             |
| 5   | Reserved         | —                | —    | 0                  |              |             |
| 4   | Q1_OE            | Q1 output enable | RW   | 1                  |              |             |
| 3   | Q0_OE            | Q0 output enable | RW   | 1                  |              |             |
| 2   | Reserved         | —                | —    | 0                  |              |             |
| 1   | Reserved         | —                | —    | 0                  |              |             |
| 0   | Reserved         | —                | —    | 0                  |              |             |

**Note:**

1. A low on these bits will override the OE# pins and force the differential outputs to the state indicated by B11[1:0] (Low/Low default).

### Byte 1: PLL Operating Mode and Output Amplitude Control Register

| Bit | Control Function | Description                   | Type              | Power-up Condition | 0  | 1                                    |
|-----|------------------|-------------------------------|-------------------|--------------------|--|--------------------------------------|
| 7   | PLLMODERB1       | PLL Mode Readback Bit1        | R                 | Latch              | See PLL Operating Mode Table                             |                                      |
| 6   | PLLMODERB0       | PLL Mode Readback Bit0        | R                 | Latch              |  |                                      |
| 5   | PLLMODE_SWCTR    | Enable SW control of PLL Mode | RW                | 0                  | Values in<br>B1[7:6] set PLL<br>Mode                     | Values in<br>B1[4:3] set PLL<br>Mode |
| 4   | PLLMODE1         | PLL Mode control Bit1         | RW <sup>(1)</sup> | 0                  | See PLL Operating Mode Table                             |                                      |
| 3   | PLLMODE0         | PLL Mode control Bit0         | RW <sup>(1)</sup> | 0                  |  |                                      |
| 2   | Reserved         | —                             | —                 | 1                  | —  | —                                    |
| 1   | Amplitude1       | Control output amplitude      | RW                | 1                  | '00' = 0.6V, '01' = 0.68V,<br>'10' = 0.75V, '11' = 0.85V |                                      |
| 0   | Amplitude0       |                               | RW                | 0                  |  |                                      |

**Note:**

1. B1[5] must be set to a 1 for these bits to have any effect on the part.

### Byte 2: Differential Output Slew Rate Control Register

| Bit | Control Function | Description             | Type | Power-up Condition | 0            | 1            |
|-----|------------------|-------------------------|------|--------------------|--------------|--------------|
| 7   | Reserved         | —                       | —    | 1                  | —            | —            |
| 6   | Reserved         | —                       | —    | 1                  | —            | —            |
| 5   | Reserved         | —                       | —    | 1                  | —            | —            |
| 4   | SLEWRATECTR_Q1   | Control slew rate of Q1 | RW   | 1                  | Slow setting | Fast setting |
| 3   | SLEWRATECTR_Q0   | Control slew rate of Q0 | RW   | 1                  | Slow setting | Fast setting |
| 2   | Reserved         | —                       | —    | 1                  | —            | —            |
| 1   | Reserved         | —                       | —    | 1                  | —            | —            |
| 0   | Reserved         | —                       | —    | 1                  | —            | —            |

### Byte 3: Frequency Select Control Register

| Bit | Control Function | Description                         | Type              | Power-up Condition | 0                           | 1                          |
|-----|------------------|-------------------------------------|-------------------|--------------------|-----------------------------|----------------------------|
| 7   | Reserved         | —                                   | —                 | 1                  | —                           | —                          |
| 6   | Reserved         | —                                   | —                 | 1                  | —                           | —                          |
| 5   | FREQ_SEL_EN      | Enable SW selection of frequency    | RW                | 0                  | SW Freq. selection disabled | SW Freq. selection enabled |
| 4   | FSEL1            | Freq. Select Bit 1                  | RW <sup>(1)</sup> | 0                  | See Frequency Select Table  |                            |
| 3   | FSEL0            | Freq. Select Bit 0                  | RW <sup>(1)</sup> | 0                  |                             |                            |
| 2   | Reserved         | —                                   | —                 | 1                  | —                           | —                          |
| 1   | Reserved         | —                                   | —                 | 1                  | —                           | —                          |
| 0   | SLEWRATESEL_FB   | Adjust Slew Rate of Feedback signal | RW                | 1                  | Slow setting                | Fast setting               |

**Note:**

1. B3[5] must be set to a 1 for these bits to have any effect on the part.

### Byte 4: Reserved

| Bit | Control Function | Description | Type | Power-up Condition | 0 | 1 |
|-----|------------------|-------------|------|--------------------|---|---|
| 7:0 | Reserved         | —           | —    | 1                  | — | — |

### Byte 5: Revision and Vendor ID Register

| Bit | Control Function | Description | Type | Power-up Condition | 0             | 1 |
|-----|------------------|-------------|------|--------------------|---------------|---|
| 7   | RID3             | Revision ID | R    | 0                  | rev = 0000    |   |
| 6   | RID2             |             | R    | 0                  |               |   |
| 5   | RID1             |             | R    | 0                  |               |   |
| 4   | RID0             |             | R    | 0                  |               |   |
| 3   | PVID3            | Vendor ID   | R    | 0                  | Diodes = 0011 |   |
| 2   | PVID2            |             | R    | 0                  |               |   |
| 1   | PVID1            |             | R    | 1                  |               |   |
| 0   | PVID0            |             | R    | 1                  |               |   |

### Byte 6: Device Type/Device ID Register

| Bit | Control Function | Description | Type | Power-up Condition | 0  | 1 |
|-----|------------------|-------------|------|--------------------|--|---|
| 7   | DTYPE1           | Device type | RW   | 0                  | '00' = CG, '01' = ZDB,<br>'10' = Reserve, '11' = ZDB |   |
| 6   | DTYPE0           |             | RW   | 1                  |  |   |
| 5   | DID5             | Device ID   | RW   | 0                  | 000010 binary, 02Hex                                 |   |
| 4   | DID4             |             | RW   | 0                  |  |   |
| 3   | DID3             |             | RW   | 0                  |  |   |
| 2   | DID2             |             | RW   | 0                  |  |   |
| 1   | DID1             |             | RW   | 1                  |  |   |
| 0   | DID0             |             | RW   | 0                  |  |   |

### Byte 7: Reserved

| Bit | Control Function | Description | Type | Power-up Condition | 0 | 1 |
|-----|------------------|-------------|------|--------------------|---|---|
| 7:0 | Reserved         | —           | —    | 0x08               | — | — |

### Byte 8 and 9: Reserved

| Bit | Control Function | Description | Type | Power-up Condition     | 0 | 1 |
|-----|------------------|-------------|------|------------------------|---|---|
| 7:0 | Reserved         | —           | —    | B8 = 0x36<br>B9 = 0x00 | — | — |

**PI6CB33202**

**Byte 10: PD Restore**

| Bit | Control Function | Description                         | Type | Power-up Condition | 0               | 1              |
|-----|------------------|-------------------------------------|------|--------------------|-----------------|----------------|
| 7   | Reserved         | —                                   | RW   | 1                  | —               | —              |
| 6   | PD Restore       | PD Restore to default configuration | RW   | 1                  | Clear PD Config | Keep PD Config |
| 5:0 | Reserved         | —                                   | R    | 0                  | —               | —              |

**Byte 11: Stop Control**

| Bit | Control Function | Description                              | Type | Power-up Condition | 0              | 1               |
|-----|------------------|--|------|--------------------|----------------|-----------------|
| 7   | FB_imp[1]        | Feedback Zout                            | RW   | 0                  | 00=Reserved    | 10=100 DIF Zout |
| 6   | FB_imp[0]        |  | RW   | 1                  | 01=85 DIF Zout | 11 = Reserved   |
| 5:2 | Reserved         | —  | —    | 0                  | —              | —               |
| 1   | STP1             | True/ Compliment DIF Output Disable Sate | RW   | 0                  | 00= Low/Low    | 10= High/Low    |
| 0   | STP0             |  | RW   | 0                  | 01= HiZ/HiZ    | 11= Low/High    |

**Byte 12: Impedance Control**

| Bit | Control Function | Description | Type | Power-up Condition | 0   | 1 |
|-----|------------------|-------------|------|--------------------|---|---|
| 7   | Q0_Zout1         | Q0 Zout     | RW   | 01                 | 00 = Reserved<br>01 = 85Ω<br>10 = 100Ω<br>11 = Reserved |   |
| 6   | Q0_Zout0         | Q0 Zout     | RW   |                    |   |   |
| 5   | Reserved         | —           | RW   |                    |   |   |
| 4   | Reserved         | —           | RW   |                    |   |   |
| 3   | Reserved         | —           | RW   |                    |   |   |
| 2   | Reserved         | —           | RW   |                    |   |   |
| 1   | Reserved         | —           | RW   |                    |   |   |
| 0   | Reserved         | —           | RW   |                    |   |   |

### Byte 13: Impedance Control

| Bit | Control Function | Description | Type | Power-up Condition | 0   | 1 |
|-----|------------------|-------------|------|--------------------|---|---|
| 7   | Reserved         | —           | RW   | 01                 | 00 = Reserved<br>01 = 85Ω<br>10 = 100Ω<br>11 = Reserved |   |
| 6   | Reserved         | —           | RW   |                    |   |   |
| 5   | Reserved         | —           | RW   |                    |   |   |
| 4   | Reserved         | —           | RW   |                    |   |   |
| 3   | Reserved         | —           | RW   |                    |   |   |
| 2   | Reserved         | —           | RW   |                    |   |   |
| 1   | Q1_Zout1         | Q1 Zout     | RW   |                    |   |   |
| 0   | Q1_Zout0         | Q1 Zout     | RW   |                    |   |   |

### Byte 14: OE Termination Control

| Bit | Control Function | Description        | Type | Power-up Condition | 0            | 1                  |
|-----|------------------|--------------------|------|--------------------|--------------|--------------------|
| 7   | OE0_term1        | OE0 Pullup or down | RW   | 0                  | 00=None      | 10= Pullup         |
| 6   | OE0_term0        | OE0 Pullup or down | RW   | 1                  | 01= Pulldown | 11=Pullup and Down |
| 5   | Reserved         | —                  | RW   | 0                  | —            | —                  |
| 4   | Reserved         | —                  | RW   | 1                  | —            | —                  |
| 3   | Reserved         | —                  | RW   | 0                  | —            | —                  |
| 2   | Reserved         | —                  | RW   | 1                  | —            | —                  |
| 1   | Reserved         | —                  | —    | 0                  | —            | —                  |
| 0   | Reserved         | —                  | —    | 1                  | —            | —                  |

### Byte 15: OE Termination Control

| Bit | Control Function | Description        | Type | Power-up Condition | 0            | 1                  |
|-----|------------------|--------------------|------|--------------------|--------------|--------------------|
| 7   | Reserved         | —                  | RW   | 0                  | —            | —                  |
| 6   | Reserved         | —                  | RW   | 1                  | —            | —                  |
| 5   | Reserved         | —                  | RW   | 0                  | —            | —                  |
| 4   | Reserved         | —                  | RW   | 1                  | —            | —                  |
| 3   | Reserved         | —                  | —    | 0                  | —            | —                  |
| 2   | Reserved         | —                  | —    | 1                  | —            | —                  |
| 1   | OE1_term1        | OE1 Pullup or down | RW   | 0                  | 00=None      | 10= Pullup         |
| 0   | OE1_term0        | OE1 Pullup or down | RW   | 1                  | 01= Pulldown | 11=Pullup and Down |

### Byte 16: Power Good Termination Control

| Bit | Control Function | Description  | Type | Power-up Condition | 0            | 1                  |
|-----|------------------|--|------|--------------------|--------------|--------------------|
| 7:2 | Reserved         | —  | —    | 0x00               | —            | —                  |
| 1   | PWRGD_PD1        | Clock Power Good and Power Down Pull up or Pull down | RW   | 1                  | 00=None      | 10= Pullup         |
| 0   | PWRGD_PD0        |  | RW   | 0                  | 01= Pulldown | 11=Pullup and Down |

### Byte 17: Reserved

| Bit | Control Function | Description | Type | Power-up Condition | 0 | 1 |
|-----|------------------|-------------|------|--------------------|---|---|
| 7:0 | Reserved         | —           | —    | 0                  | — | — |

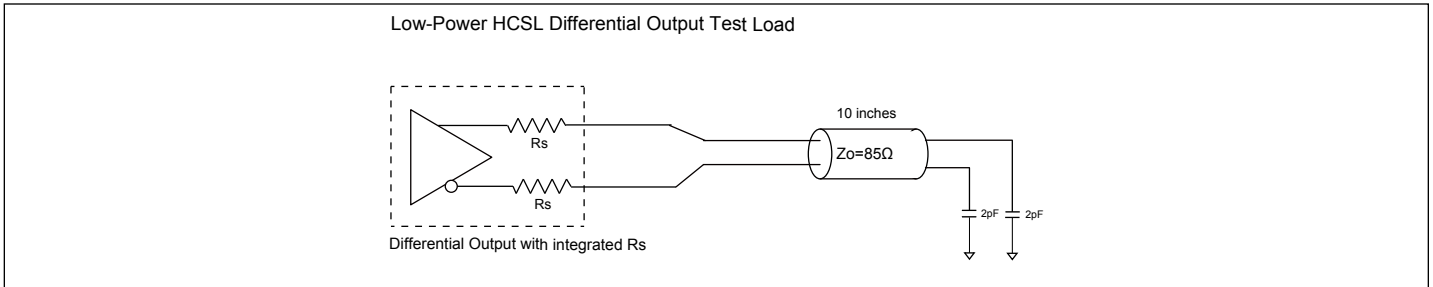
### Byte 18: Enable Pin Control

| Bit | Control Function | Description             | Type | Power-up Condition | 0            | 1             |
|-----|------------------|-------------------------|------|--------------------|--------------|---------------|
| 7   | Reserved         | —                       | RW   | 0                  | —            | —             |
| 6   | Reserved         | —                       | RW   | 0                  | —            | —             |
| 5   | Reserved         | —                       | —    | 0                  | —            | —             |
| 4   | OE1_Enable       | Sets Enable High or Low | RW   | 0                  | Enable = Low | Enable = High |
| 3   | OE0_Enable       | Sets Enable High or Low | RW   | 0                  | Enable = Low | Enable = High |
| 2   | Reserved         | —                       | RW   | 0                  | —            | —             |
| 1   | Reserved         | —                       | RW   | 0                  | —            | —             |
| 0   | Reserved         | —                       | RW   | 0                  | —            | —             |

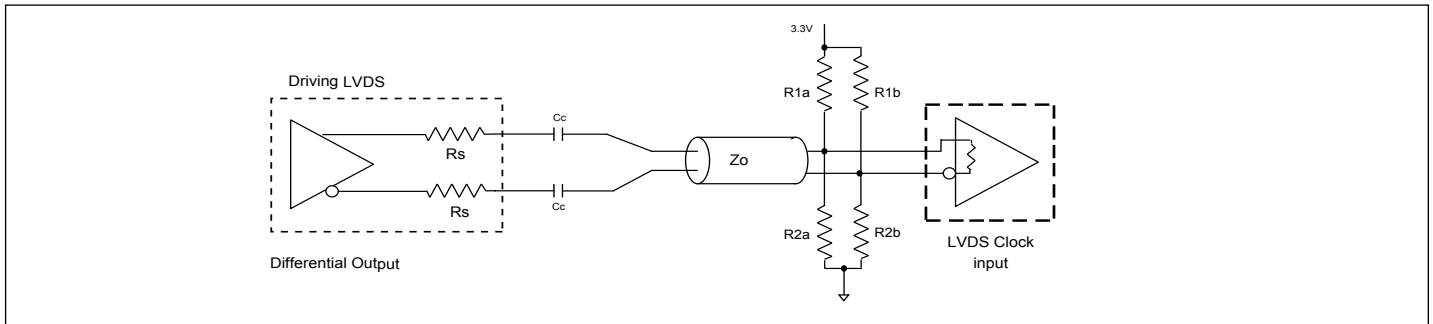
### Byte 19: Power Down Pin Control

| Bit | Control Function | Description                              | Type | Power-up Condition | 0                | 1                 |
|-----|------------------|--|------|--------------------|------------------|-------------------|
| 7:1 | Reserved         | —  | —    | 0                  | —                | —                 |
| 0   | PWRGD_PD         | PWRGD_PD Active via Pull up or Pull down | RW   | 0                  | Power Down = Low | Power Down = High |





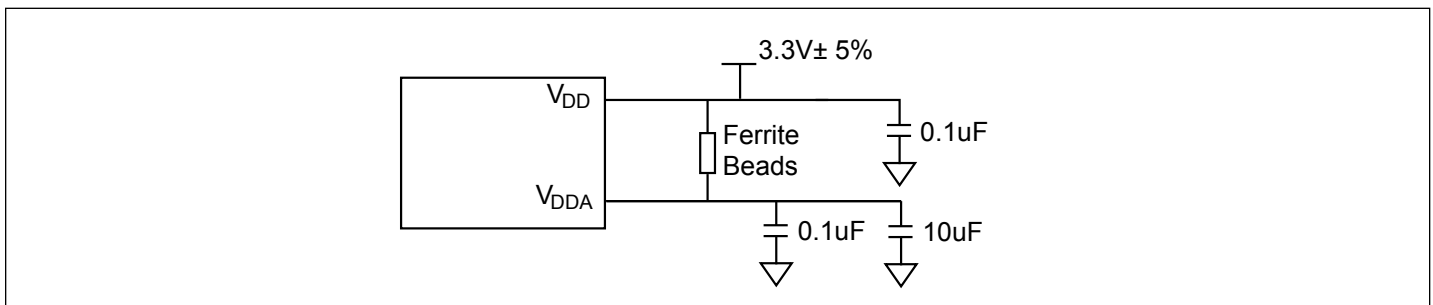
**Figure 1. Low-Power HCSL Test Circuit**



**Figure 2. Differential Output Driving LVDS**

**Alternate Differential Output Terminations ( $Z_o = 85\Omega$ )**

| Component        | Receiver with Termination | Receiver without Termination | Unit     |
|------------------|---------------------------|------------------------------|----------|
| $R_{1a}, R_{1b}$ | 10,000                    | 130                          | $\Omega$ |
| $R_{2a}, R_{2b}$ | 5600                      | 64                           | $\Omega$ |
| $C_c$            | 0.1                       | 0.1                          | $\mu F$  |
| $V_{CM}$         | 1.2                       | 1.2                          | V        |



**Figure 3. Power Supply Filter**

**PI6CB33202**

### Thermal Characteristics

| Symbol        | Parameter                              | Conditions | Min. | Typ. | Max. | Unit |
|---------------|--|------------|------|------|------|------|
| $\theta_{JA}$ | Thermal Resistance Junction to Ambient | Still air  |      |      | 54.4 | °C/W |
| $\theta_{JC}$ | Thermal Resistance Junction to Case    |            |      |      | 40.8 | °C/W |

### Part Marking



Z: Die Rev

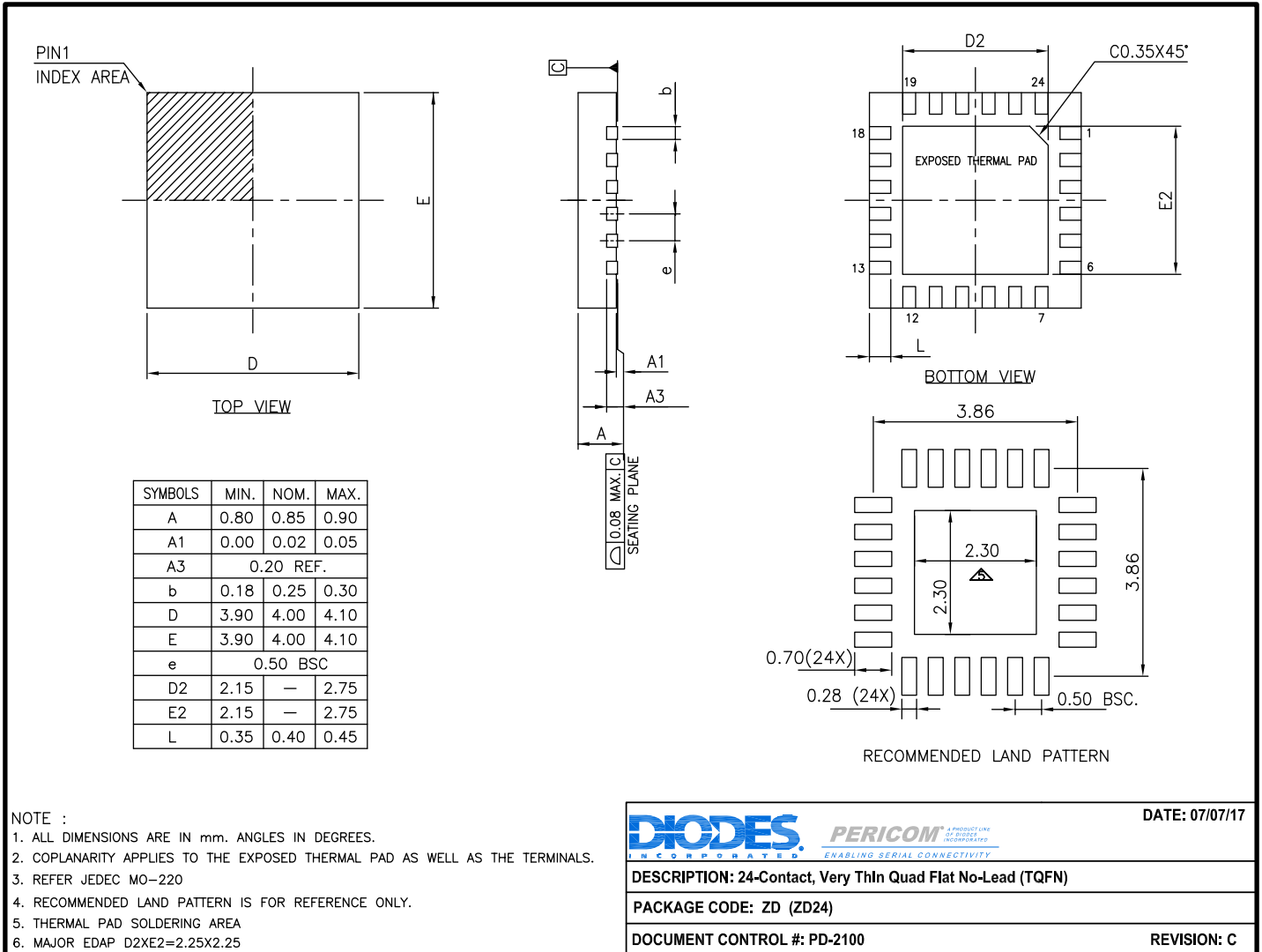
Y: Year

W: Workweek

1st X: Assembly Code

2nd X: Fab Code

**Packaging Mechanical: 24-TQFN (ZD)**



17-0533

**For latest package information:**

See <http://www.diodes.com/design/support/packaging/pericom-packaging/packaging-mechanicals-and-thermal-characteristics/>.

**Ordering Information**

| Ordering Code       | Package Code | Package Description                            | Pin 1 Location   |
|---------------------|--------------|--|------------------|
| PI6CB33202ZDIEX     | ZD           | 24-Contact, Very-Thin Quad-Flat No-Lead (TQFN) | Top Right Corner |
| PI6CB33202ZDIEX-13R | ZD           | 24-Contact, Very-Thin Quad-Flat No-Lead (TQFN) | Top Left Corner  |

**Notes:**

- No purposely added lead. Fully EU Directive 2002/95/EC (RoHS), 2011/65/EU (RoHS 2) & 2015/863/EU (RoHS 3) compliant.
- See <https://www.diodes.com/quality/lead-free/> for more information about Diodes Incorporated's definitions of Halogen- and Antimony-free, "Green" and Lead-free.
- Halogen- and Antimony-free "Green" products are defined as those which contain <900ppm bromine, <900ppm chlorine (<1500ppm total Br + Cl) and <1000ppm antimony compounds.
- E = Pb-free and Green
- X suffix = Tape/Reel
- For packaging details, go to our website at: <https://www.diodes.com/assets/MediaList-Attachments/Diodes-Package-Information.pdf>

**IMPORTANT NOTICE**

DIODES INCORPORATED MAKES NO WARRANTY OF ANY KIND, EXPRESS OR IMPLIED, WITH REGARDS TO THIS DOCUMENT, INCLUDING, BUT NOT LIMITED TO, THE IMPLIED WARRANTIES OF MERCHANTABILITY AND FITNESS FOR A PARTICULAR PURPOSE (AND THEIR EQUIVALENTS UNDER THE LAWS OF ANY JURISDICTION).

Diodes Incorporated and its subsidiaries reserve the right to make modifications, enhancements, improvements, corrections or other changes without further notice to this document and any product described herein. Diodes Incorporated does not assume any liability arising out of the application or use of this document or any product described herein; neither does Diodes Incorporated convey any license under its patent or trademark rights, nor the rights of others. Any Customer or user of this document or products described herein in such applications shall assume all risks of such use and will agree to hold Diodes Incorporated and all the companies whose products are represented on Diodes Incorporated website, harmless against all damages.

Diodes Incorporated does not warrant or accept any liability whatsoever in respect of any products purchased through unauthorized sales channel.

Should Customers purchase or use Diodes Incorporated products for any unintended or unauthorized application, Customers shall indemnify and hold Diodes Incorporated and its representatives harmless against all claims, damages, expenses, and attorney fees arising out of, directly or indirectly, any claim of personal injury or death associated with such unintended or unauthorized application.

Products described herein may be covered by one or more United States, international or foreign patents pending. Product names and markings noted herein may also be covered by one or more United States, international or foreign trademarks.

This document is written in English but may be translated into multiple languages for reference. Only the English version of this document is the final and definitive format released by Diodes Incorporated.

**LIFE SUPPORT**

Diodes Incorporated products are specifically not authorized for use as critical components in life support devices or systems without the express written approval of the Chief Executive Officer of Diodes Incorporated. As used herein:

A. Life support devices or systems are devices or systems which:

1. are intended to implant into the body, or

2. support or sustain life and whose failure to perform when properly used in accordance with instructions for use provided in the labeling can be reasonably expected to result in significant injury to the user.

B. A critical component is any component in a life support device or system whose failure to perform can be reasonably expected to cause the failure of the life support device or to affect its safety or effectiveness.

Customers represent that they have all necessary expertise in the safety and regulatory ramifications of their life support devices or systems, and acknowledge and agree that they are solely responsible for all legal, regulatory and safety-related requirements concerning their products and any use of Diodes Incorporated products in such safety-critical, life support devices or systems, notwithstanding any devices- or systems-related information or support that may be provided by Diodes Incorporated. Further, Customers must fully indemnify Diodes Incorporated and its representatives against any damages arising out of the use of Diodes Incorporated products in such safety-critical, life support devices or systems.

Copyright © 2019, Diodes Incorporated

[www.diodes.com](http://www.diodes.com)

## X-ON Electronics

Largest Supplier of Electrical and Electronic Components

*Click to view similar products for [Clock Buffer](#) category:*

*Click to view products by [Diodes Incorporated](#) manufacturer:*

Other Similar products are found below :

[MPC962309EJ-1H](#) [NB4N121KMNG](#) [IDT49FCT805ASO](#) [MK2308S-1HILF](#) [PL133-27GI-R](#) [NB3L02FCT2G](#) [NB3L03FCT2G](#)  
[ZL40200LDG1](#) [ZL40205LDG1](#) [9FG1200DF-1LF](#) [9FG1001BGLF](#) [PI49FCT20802QE](#) [PI6C10810HE](#) [NB7L1008MNG](#) [NB7L14MN1G](#)  
[PI49FCT20807QE](#) [PI6C4931502-04LIEX](#) [ZL80002QAB1](#) [PI6C4931504-04LIEX](#) [PI6C10806BLEX](#) [ZL40226LDG1](#) [8T73S208B-01NLGI](#)  
[SY75578LMG](#) [PI49FCT32805QEX](#) [PL133-27GC-R](#) [MC10LVEP11DG](#) [MC10EP11DTG](#) [MC100LVEP11DG](#) [MC100E111FNG](#)  
[MC100EP11DTG](#) [NB7L14MMNG](#) [NB6L14MMNR2G](#) [NB6L611MNG](#) [NB7V58MMNHTBG](#) [NB3N111KMNR4G](#) [ADCLK944BCPZ-R7](#)  
[ZL40217LDG1](#) [NB7LQ572MNG](#) [HMC940LC4BTR](#) [9DB801BGLF](#) [ADCLK946BCPZ-REEL7](#) [ADCLK946BCPZ](#) [ADCLK905BCPZ-R2](#)  
[ADCLK905BCPZ-R7](#) [ADCLK907BCPZ-R2](#) [ADCLK907BCPZ-WP](#) [ADCLK914BCPZ-R2](#) [ADCLK914BCPZ-R7](#) [ADCLK925BCPZ-R2](#)  
[ADCLK925BCPZ-R7](#)