

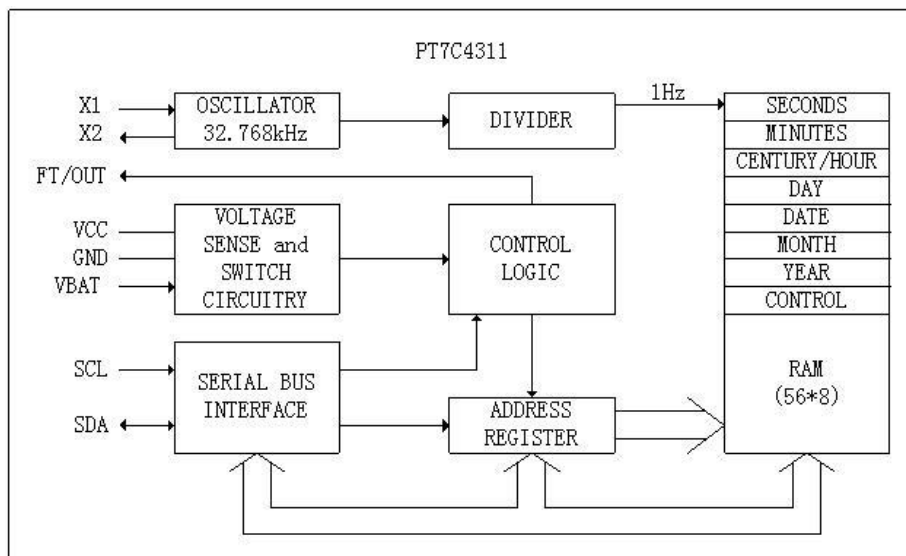
Features

- Support I²C-Bus (High speed mode 400kHz)
- Includes time (Hour/Minute/Second) and calendar (Century/Year/Month/Date/Day) counter functions
- Year 2000 compliant
- Automatic switch-over and deselect circuitry
- Time keeping voltage: 1.2V to 5.5V
- Software clock calibration
- 56 bytes of general purpose RAM
- Ultra-low battery supply current of 0.3A
- Low operating current of 70A
- Battery or super cap back-up
- Operating temperature: -40°C to 85°C
- Automatic leap year compensation
- Special software programmable output
- Totally Lead-Free & Fully RoHS Compliant (Notes 1 & 2)
- Halogen and Antimony Free. "Green" Device (Note 3)
- For automotive applications requiring specific change control (i.e. parts qualified to AEC-Q100/101/200, PPAP capable, and manufactured in IATF 16949 certified facilities), please [contact us](https://www.diodes.com/contact-us) or your local Diodes representative.
<https://www.diodes.com/quality/product-definitions/>
- Packaging (Pb-free & Green):
 - 8-Pin, SOIC (W)
 - 8-Pin, TDFN (ZE)

Description

The PT7C4311 serial real-time clock is a low-power clock/calendar with a programmable square-wave output. Address and data are transferred serially via a 2-wire bidirectional bus. The clock/calendar provides seconds, minutes, hours, day, date, month, and year information. The date at the end of the month is automatically adjusted for months with fewer than 31 days, including corrections for leap year. The clock operates in the 24-hour format indicator. Table 1 shows the basic functions of PT7C4311. More details are shown in section: overview of functions.

Function Block



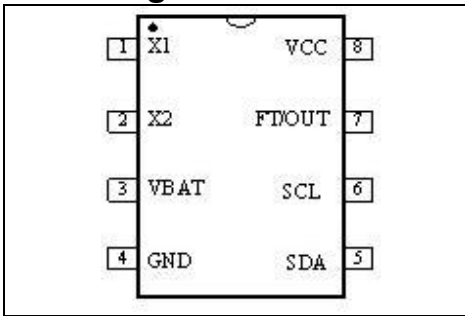
Notes:

1. No purposely added lead. Fully EU Directive 2002/95/EC (RoHS), 2011/65/EU (RoHS 2) & 2015/863/EU (RoHS 3) compliant.
2. See <https://www.diodes.com/quality/lead-free/> for more information about Diodes Incorporated's definitions of Halogen- and Antimony-free, "Green" and Lead-free.
3. Halogen- and Antimony-free "Green" products are defined as those which contain <900ppm bromine, <900ppm chlorine (<1500ppm total Br + Cl) and <1000ppm antimony compounds.

Table 1. Basic Functions of PT7C4311

| Item | Function | | PT7C4311 | |
|------|--------------------------------------|---------------------------------|----------|---|
| 1 | Oscillator | Source: Crystal: 32.768kHz | √ | |
| | | Oscillator enable/disable | √ | |
| | | Oscillator fail detect | - | |
| 2 | Time | Time display | 12-hour | - |
| | | | 24-hour | √ |
| | | Century bit | | √ |
| | | Time count chain enable/disable | | - |
| 3 | Programmable square wave output (Hz) | | 512Hz | |
| 4 | Programmable high/low level output | | √ | |
| 5 | Communication | 2-wire I ² C bus | √ | |
| 6 | RAM | | 56×8 | |
| 7 | Battery backup | | √ | |
| 8 | Clock calibration | | √ | |

Pin Configuration



Pin Description

| Pin no. | Pin | Type | Description |
|---------|--------|------|---|
| 1 | X1 | I | Oscillator Circuit Input. Together with X1, 32.768kHz crystal is connected between them. Or external clock input. |
| 2 | X2 | O | Oscillator Circuit Output. Together with X1, 32.768kHz crystal is connected between them. |
| 3 | VBAT | P | Battery Supply Voltage. When $V_{CC} > V_{SO}^1$, VCC will power the IC. While $V_{CC} < V_{SO}^1$, VBAT will power the IC. |
| 4 | GND | P | Ground. |
| 5 | SDA | I/O | Serial Data Input/Output. SDA is the input/output pin for the 2-wire serial interface. The SDA pin is open-drain output and requires an external pull-up resistor. |
| 6 | SCL | I | Serial Clock Input. SCL is used to synchronize data movement on the I ² C serial interface. |
| 7 | FT/OUT | O | Frequency Test / Output Driver. Open drain. 512Hz output when Frequency Test is selected. Output DC level by register selection. Frequency Test is prior. |
| 8 | VCC | P | Supply Voltage. When $V_{CC} > V_{SO}^1$, VCC will power the IC. While $V_{CC} < V_{SO}^1$, VBAT will power the IC. |

Note: 1. V_{SO} : Battery Back-up Switchover Voltage

Maximum Ratings

| | |
|---|-----------------|
| Storage Temperature | -55°C to +125°C |
| Supply Voltage to Ground Potential (V _{CC} to GND) | -0.3V to +7.0V |
| DC Input (All Other Inputs except V _{CC} & GND)..... | -0.3V to +7.0V |
| DC Output Voltage..... | -0.3V to +7.0V |
| Power Dissipation..... | 250mW |
| Output Current..... | 20mA |
| Junction Temperature..... | 125°C max |

Note:
Stresses greater than those listed under MAXIMUM RATINGS may cause permanent damage to the device. This is a stress rating only and functional operation of the device at these or any other conditions above those indicated in the operational sections of this specification is not implied. Exposure to absolute maximum rating conditions for extended periods may affect reliability.

Recommended Operating Conditions

| Symbol | Description | Min | Type | Max | Unit |
|-----------------|--|---------------------|------|----------------------|------|
| V _{CC} | Timing data and RAM data maintaining voltage | 1.2 | - | 5.5 | V |
| | Timing data writing voltage | 1.5 | - | 5.5 | |
| | Timing data reading voltage | 1.5 | - | 5.5 | |
| | RAM data writing voltage | 3.0 | - | 5.5 | |
| | RAM data reading voltage | 1.5 | - | 5.5 | |
| V _{IH} | Input high level | 0.7 V _{CC} | - | V _{CC} +0.3 | |
| V _{IL} | Input low level | -0.3 | - | 0.3 V _{CC} | |
| T _A | Operating temperature | -40 | - | 85 | °C |

DC Electrical Characteristics

(Unless otherwise specified, $V_{CC} = 1.5 \sim 5.5$ V, $T_A = -40$ °C to $+85$ °C.)

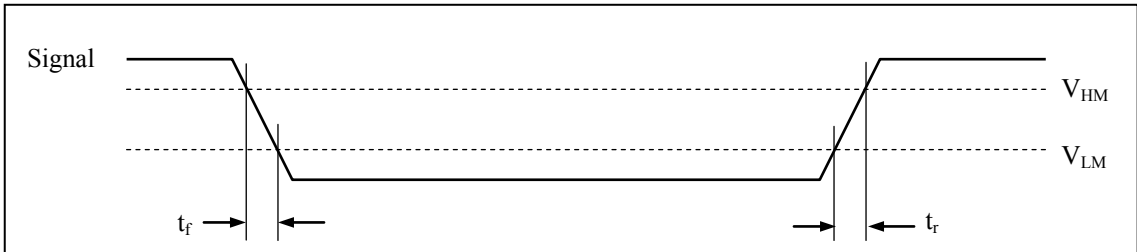
| Sym. | Description | Pin | Condition | Min | Typ | Max | Unit |
|------------------------|---|--------|--|------------------|------------------|-------------------------------|------|
| V_{CC} | Timing data and RAM data maintaining voltage | VCC | - | 1.2 | - | 5.5 | V |
| | Timing data writing voltage | VCC | - | 1.5 | - | 5.5 | |
| | Timing data reading voltage | VCC | - | 1.5 | - | 5.5 | |
| | RAM data writing voltage | VCC | - | 3.0 | - | 5.5 | |
| | RAM data reading voltage | VCC | - | 1.5 | - | 5.5 | |
| V_{BAT} ¹ | Supply voltage | VBAT | - | 2.0 | 3 | 3.5 ⁶ | V |
| V_{SO} ² | Battery Back-up Switchover Voltage ^{3,4} | - | - | $V_{BAT} - 0.80$ | $V_{BAT} - 0.50$ | $V_{BAT} - 0.30$ ⁵ | V |
| I_{CC} | Current consumption | VCC | Switch freq. = 400kHz | - | 70 | 150 | μA |
| I_{ST} | Standby current | VCC | SDA, SCL = $V_{CC} - 0.3$ V | - | 25 | 80 | μA |
| I_{BAT} | Current consumption | VBAT | OSC on, $V_{CC} = 0$ V, $V_{BAT} = 3$ V, $T_A = 25$ °C | - | 300 | 800 | nA |
| V_{IL} | Low-level input voltage | - | - | -0.3 | - | $0.3V_{CC}$ | V |
| V_{IH} | High-level input voltage | - | - | $0.7V_{CC}$ | - | $V_{CC} + 0.5$ | |
| V_{OL} | Low-level output voltage | SDA | $I_{OL} = 3$ mA | - | - | 0.4 | V |
| | Pull-up Supply voltage (Open drain) | FT/OUT | - | - | - | 5.5 | |
| I_{IL} | Input leakage current | SCL | $0 < V_{IN} < V_{CC}$ | - | - | ±1 | μA |
| I_{OZ} | Output current when OFF | SDA | $0 < V_{OUT} < V_{CC}$ | - | - | ±1 | μA |

Note:

- After switchover (V_{SO}), V_{BAT} (min) can be 2.0V for crystal with $R_S = 40$ kΩ.
- Switch-over and deselect point.
- Valid for Ambient Operating Temperature: $T_A = -40$ to 85 °C; $V_{CC} = 2.0$ to 5.5 V (except where noted). VCC fall time should not exceed 5 mV/μs.
- All voltages referenced to GND.
- In 3.3V application, if initial battery voltage is ≥ 3.4 V, it may be necessary to reduce battery voltage (i.e., through wave soldering the battery) in order to avoid inadvertent switchover/reselection for VCC – 10% operation.
- For rechargeable backup, V_{BAT} (max) may be considered to be V_{CC} .

AC Electrical Characteristics

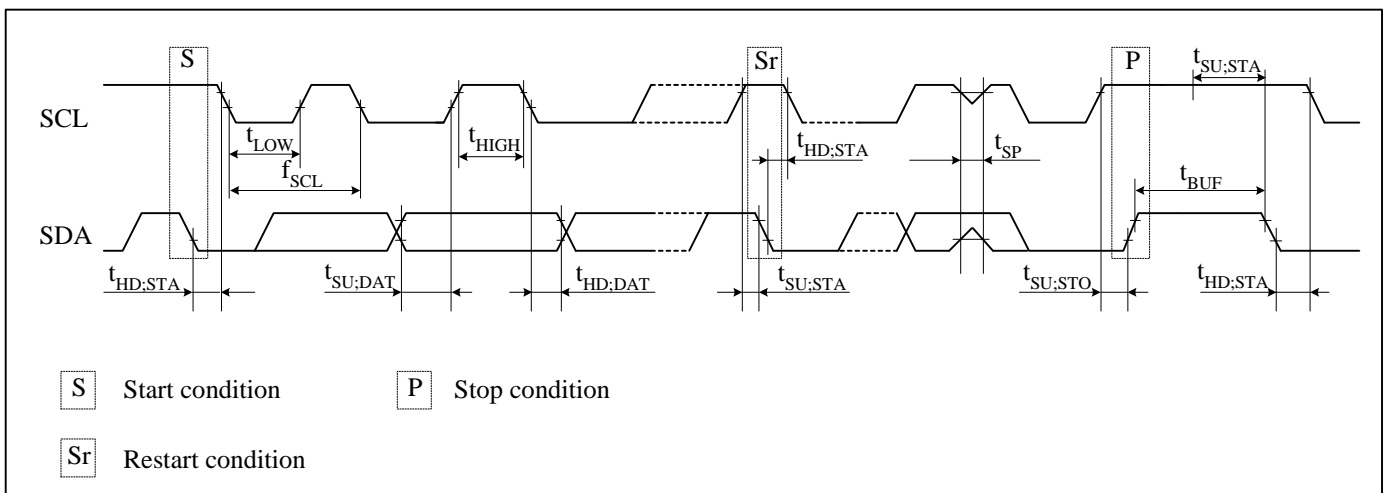
| Sym | Description | Value | Unit |
|----------|---|--------------|------|
| V_{HM} | Rising and falling threshold voltage high | $0.8 V_{CC}$ | V |
| V_{HL} | Rising and falling threshold voltage low | $0.2 V_{CC}$ | V |



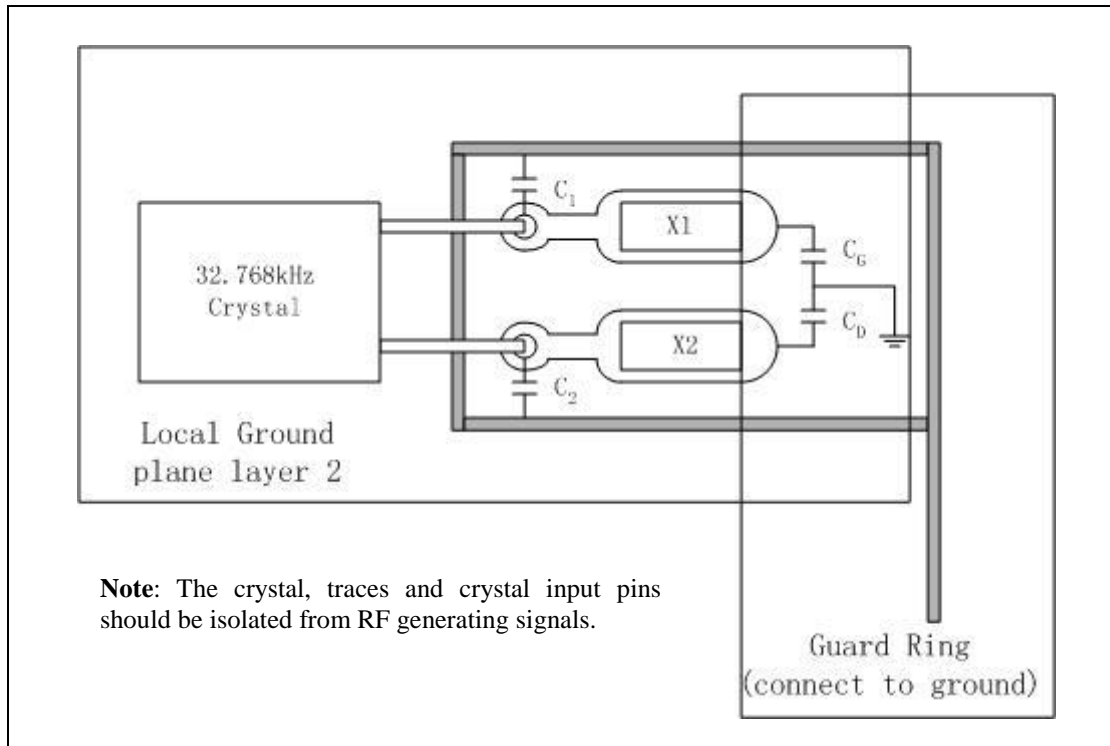
Over the Operating Range

| Symbol | Item | STAND Mode (I ² C) | | FAST Mode (I ² C) | | Unit |
|--------------|--|-------------------------------|------|------------------------------|------|---------|
| | | Min. | Max. | Min. | Max. | |
| f_{SCL} | SCL clock frequency | - | 100 | - | 400 | kHz |
| $t_{SU:STA}$ | START condition set-up time | 4.7 | - | 0.6 | - | μ s |
| $t_{HD:STA}$ | START condition hold time | 4.0 | - | 0.6 | - | μ s |
| $t_{SU:DAT}$ | Data set-up time (RTC read/write) | 250 | - | 100 | - | ns |
| $t_{HD:DAT}$ | Data hold time (RTC read/write) | 0 | - | 0 | 0.9 | μ s |
| $t_{SU:STO}$ | STOP condition setup time | 4.0 | - | 0.6 | - | μ s |
| t_{BUF} | Bus idle time between a START and STOP condition | 4.7 | - | 1.3 | - | μ s |
| t_{LOW} | When SCL = "L" | 4.7 | - | 1.3 | - | μ s |
| t_{HIGH} | When SCL = "H" | 4.0 | - | 0.6 | - | μ s |
| t_r | Rise time for SCL and SDA | - | 1.0 | $20+0.1C_B$ | 0.3 | μ s |
| t_f | Fall time for SCL and SDA | - | 0.3 | $20+0.1C_B$ | 0.3 | μ s |
| C_B | Capacitance load for each bus line | 0 | 400 | 0 | 400 | pF |

Timing Diagram



Recommended Layout for Crystal



Built-in Capacitors Specifications and Recommended External Capacitors

| Parameter | | Symbol | Typ | Unit |
|---------------------------------|-----------|----------------|-----|------|
| Build-in capacitors | X1 to GND | C _G | 18 | pF |
| | X2 to GND | C _D | 18 | pF |
| Recommended External capacitors | X1 to GND | C ₁ | 8 | pF |
| | X2 to GND | C ₂ | 8 | pF |

Note: The frequency of crystal can be optimized by external capacitor C₁ and C₂, for frequency=32.768Hz, C₁ and C₂ should meet the equation as below:

$$C_{par} + [(C_1 + C_G) * (C_2 + C_D)] / [(C_1 + C_G) + (C_2 + C_D)] = C_L$$

C_{par} is all parasitical capacitor between X1 and X2.

C_L is crystal's load capacitance.

Crystal Specifications

| Parameter | Symbol | Min | Typ | Max | Unit |
|-------------------|----------------|-----|--------|-----|------|
| Nominal Frequency | f ₀ | - | 32.768 | - | kHz |
| Series Resistance | ESR | - | - | 70 | kΩ |
| Load Capacitance | C _L | - | 12.5 | - | pF |

Function Description

Overview of Functions

1. Clock function

CPU can read or write data including the year (last two digits), month, date, day, hour, minute, and second. Any (two-digit) year that is a multiple of 4 is treated as a leap year and calculated automatically as such until the year 2100.

2. Interface with CPU

2-wire I²C interface. The PT7C4311 continually monitors V_{CC} for an out of tolerance condition. Should V_{CC} fall below V_{SO}, the device terminates an access in progress and resets the device address counter. Inputs to the device will not be recognized at this time to prevent erroneous data from being written to the device from an out of tolerance system. When V_{CC} falls below V_{SO}, the device automatically switches from battery to V_{CC} at V_{SO} and recognizes inputs.

3. Oscillator enable/disable

Oscillator and time count chain can be enabled or disabled at the same time by ST bit.

4. Calibration function

With the calibration bits properly set, accuracy PT7C4311 can be improved to better than ±2 ppm at 25°C.

Registers

1. Allocation of registers

| Addr. (hex) *1 | Function | Register definition | | | | | | | |
|-------------------|--------------------------|---------------------|-------|-------|---------------|-------|-------|-------|-------|
| | | Bit 7 | Bit 6 | Bit 5 | Bit 4 | Bit 3 | Bit 2 | Bit 1 | Bit 0 |
| 00 | Seconds (00-59) | ST*2 | S40 | S20 | S10 | S8 | S4 | S2 | S1 |
| 01 | Minutes (00-59) | × | M40 | M20 | M10 | M8 | M4 | M2 | M1 |
| 02 | Hours (00-23) | CEB*3 | CB*3 | H20 | H10 | H8 | H4 | H2 | H1 |
| 03 | Days of the week (01-07) | × | × | × | × | × | W4 | W2 | W1 |
| 04 | Dates (01-31) | × | × | D20 | D10 | D8 | D4 | D2 | D1 |
| 05 | Months (01-12) | × | × | ×*8 | MO10 | MO8 | MO4 | MO2 | MO1 |
| 06 | Years (00-99) | Y80 | Y40 | Y20 | Y10 | Y8 | Y4 | Y2 | Y1 |
| 07 | Control*8 | OUT*4 | FT*5 | S*6 | Calibration*7 | | | | |
| 08~3F | RAM | | | | | | | | |

Caution points:

- *1. PT7C4311 uses 6 bits for address. That is if write data to 41H, the data will be written to 01H address register.
- *2. Stop bit. When this bit is set to 1, oscillator and time count chain are both stopped.
- *3. CEB: Century Enable Bit. CB: Century Bit.
- *4. Control FT/OUT pin output DC level when 512Hz square wave is disabled.
- *5. Frequency Test. 512Hz square wave output is enabled at FT/OUT pin, which is using for frequency test.
- *6. Sign Bit. "1" indicates positive calibration; "0" indicates negative calibration.
- *7. Using for modifying count frequency. If 20ppm is wanted to slow down the count frequency, 10 (01010) should be loaded.
- *8. Initialize the control and status register to 10000000 if calibration function is not required.

2. Control and status register

| Addr. (hex) | Description | D7 | D6 | D5 | D4 | D3 | D2 | D1 | D0 |
|-------------|-------------|-----|----|----|-------------|-----------|-----------|-----------|-----------|
| 07 | Control | OUT | FT | S | Calibration | | | | |
| | (default) | 1 | 0 | 1 | Undefined | Undefined | Undefined | Undefined | Undefined |

a) OUT

- **OUT:** Set pin 7 output DC level..

| OUT | Data | Description | Default |
|--------------|------|--------------------------|---------|
| Read / Write | 1 | Set high level at pin 7. | Default |
| | 0 | Set low level at pin 7. | |

b) 512Hz output

- **FT:** 512Hz square wave output Enable bit, using for Frequency Test.

| FT | Data | Description | Default |
|--------------|------|--------------------------------|---------|
| Read / Write | 0 | Disable 512Hz output at pin 7. | Default |
| | 1 | Enable 512Hz output at pin 7. | |

c) Calibration bits

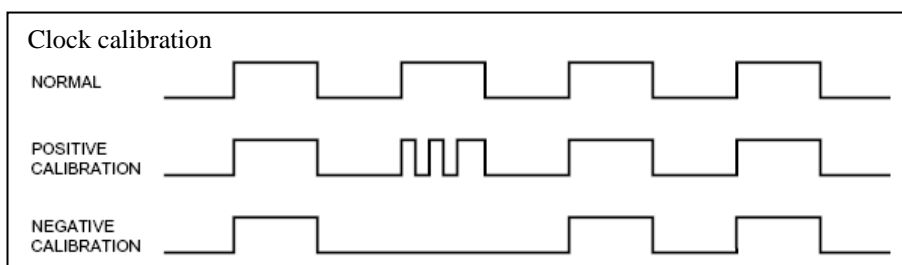
- **S:** Sign bit.

| S | Data | Description | Default |
|--------------|------|--------------------------------|---------|
| Read / Write | 1 | Indicate positive calibration. | Default |
| | 0 | Indicate negative calibration. | |

Calibration:

Calibration occurs within a 64minute cycle. The first 62 minutes in the cycle may, once per minute, have one second either shortened by 128 or lengthened by 256 oscillator cycles. If a binary '1' is loaded into the register, only the first 2 minutes in the 64 minute cycle will be modified; if a binary 6 is loaded, the first 12 will be affected, and so on. Therefore, each calibration step has the effect of adding 512 or subtracting 256 oscillator cycles for every 125,829,120 actual oscillator cycles, that is +4.068 or -2.034 ppm of adjustment per calibration step in the calibration register. Assuming that the oscillator is in fact running at exactly 32,768Hz, each of the 31 increments in the Calibration byte would represent +10.7 or -5.35 seconds per month which corresponds to a total range of +5.5 or -2.75 minutes per month.

For example, a reading of 512.01024Hz would indicate a +20 ppm oscillator frequency error, requiring a -10 (XX001010) to be loaded into the Calibration Byte for correction.



3. Time Counter

Time digit display (in BCD code):

- Second digits: Range from 00 to 59 and carried to minute digits when incremented from 59 to 00.
- Minute digits: Range from 00 to 59 and carried to hour digits when incremented from 59 to 00.
- Hour digits: See description on the /12, 24 bit. Carried to day and day-of-the-week digits when incremented from 11 p.m. to 12 a.m. or 23 to 00.

| Addr. (hex) | Description | D7 | D6 | D5 | D4 | D3 | D2 | D1 | D0 |
|-------------|----------------------|------------------------|-----------------------|------------------|------------------|-----------------|-----------------|-----------------|-----------------|
| 00 | Seconds (default) | ST 0 | S40 Undefined | S20 Undefined | S10 Undefined | S8 Undefined | S4 Undefined | S2 Undefined | S1 Undefined |
| 01 | Minutes (default) | × ^{*2} 0 | M40 Undefined | M20 Undefined | M10 Undefined | M8 Undefined | M4 Undefined | M2 Undefined | M1 Undefined |
| 02 | Hours (default) | CEB ^{*3} 1 | CB ^{*3} 1 | H20 Undefined | H10 Undefined | H8 Undefined | H4 Undefined | H2 Undefined | H1 Undefined |

* **Note 1:** ST bit: Stop oscillation and time count chain.

* **Note 2:** Do not care.

* **Note 3:** Century Enable Bit and Century Bit.

4. Days of the week Counter

The day counter is a divide-by-7 counter that counts from 01 to 07 and up 07 before starting again from 01. Values that correspond to the day of week are user defined but must be sequential (i.e., if 1 equals Sunday, then 2 equals Monday, and so on). Illogical time and date entries result in undefined operation.

| Addr. (hex) | Description | D7 | D6 | D5 | D4 | D3 | D2 | D1 | D0 |
|-------------|-------------------------------|----------------|----------------|----------------|----------------|----------------|-----------------|-----------------|-----------------|
| 03 | Days of the week (default) | × Undefined | × Undefined | × Undefined | × Undefined | × Undefined | W4 Undefined | W2 Undefined | W1 Undefined |

5. Calendar Counter

The data format is BCD format.

- Day digits: Range from 1 to 31 (for January, March, May, July, August, October and December).
Range from 1 to 30 (for April, June, September and November).
Range from 1 to 29 (for February in leap years).
Range from 1 to 28 (for February in ordinary years).
Carried to month digits when cycled to 1.
- Month digits: Range from 1 to 12 and carried to year digits when cycled to 1.
- Year digits: Range from 00 to 99 and 00, 04, 08, ... , 92 and 96 are counted as leap years.

| Addr. (hex) | Description | D7 | D6 | D5 | D4 | D3 | D2 | D1 | D0 |
|-------------|-----------------------------|------------------|------------------|------------------|------------------|-----------------|-----------------|-----------------|-----------------|
| 04 | Dates (01-31) (default) | × Undefined | × Undefined | D20 Undefined | D10 Undefined | D8 Undefined | D4 Undefined | D2 Undefined | D1 Undefined |
| 05 | Months (01-12) (default) | × Undefined | × Undefined | × Undefined | M10 Undefined | M8 Undefined | M4 Undefined | M2 Undefined | M1 Undefined |
| 06 | Years (00-99) (default) | Y80 Undefined | Y40 Undefined | Y20 Undefined | Y10 Undefined | Y8 Undefined | Y4 Undefined | Y2 Undefined | Y1 Undefined |

Communication

1. I²C Bus Interface

a) Overview of I²C-BUS

The I²C bus supports bi-directional communications via two signal lines: the SDA (data) line and SCL (clock) line. A combination of these two signals is used to transmit and receive communication start/stop signals, data signals, acknowledge signals, and so on. Both the SCL and SDA signals are held at high level whenever communications are not being performed. The starting and stopping of communications is controlled at the rising edge or falling edge of SDA while SCL is at high level. During data transfers, data changes that occur on the SDA line are performed while the SCL line is at low level, and on the receiving side the data is captured while the SCL line is at high level. In either case, the data is transferred via the SCL line at a rate of one bit per clock pulse. The I²C bus device does not include a chip select pin such as is found in ordinary logic devices. Instead of using a chip select pin, slave addresses are allocated to each device and the receiving device responds to communications only when its slave address matches the slave address in the received data.

b) System Configuration

All ports connected to the I²C bus must be either open drain or open collector ports in order to enable AND connections to multiple devices.

SCL and SDA are both connected to the VDD line via a pull-up resistance. Consequently, SCL and SDA are both held at high level when the bus is released (when communication is not being performed).

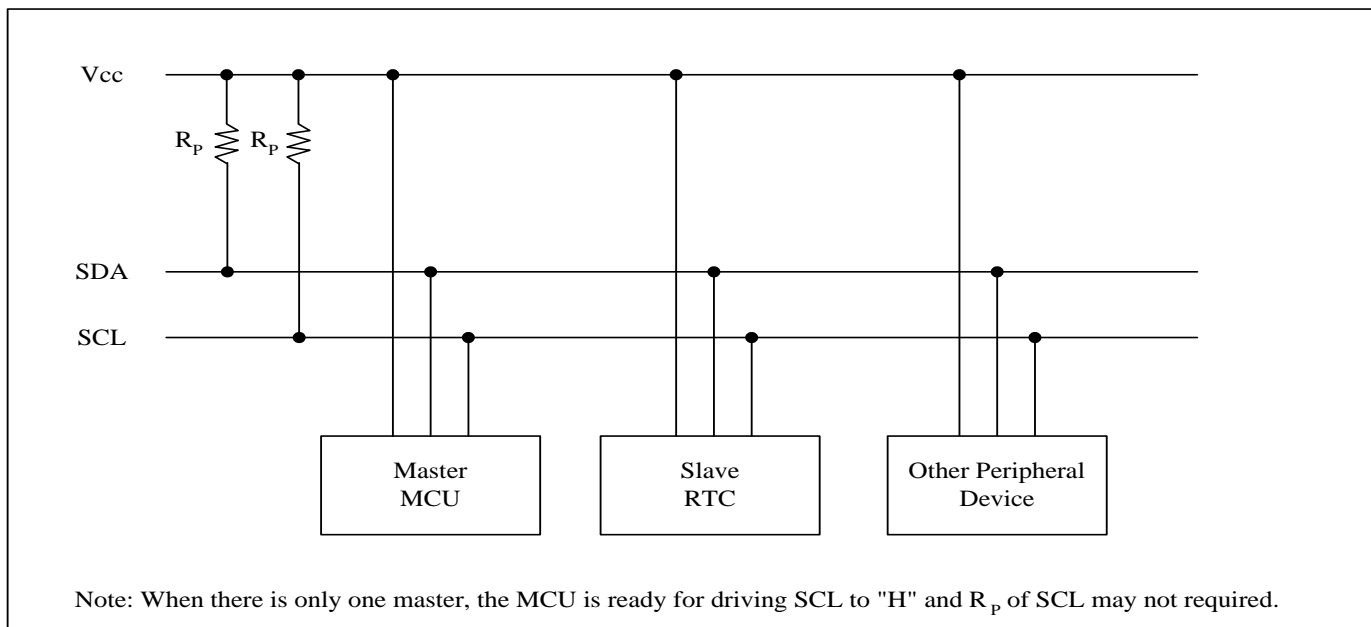


Fig.1 System configuration

c) Starting and Stopping I²C Bus Communications

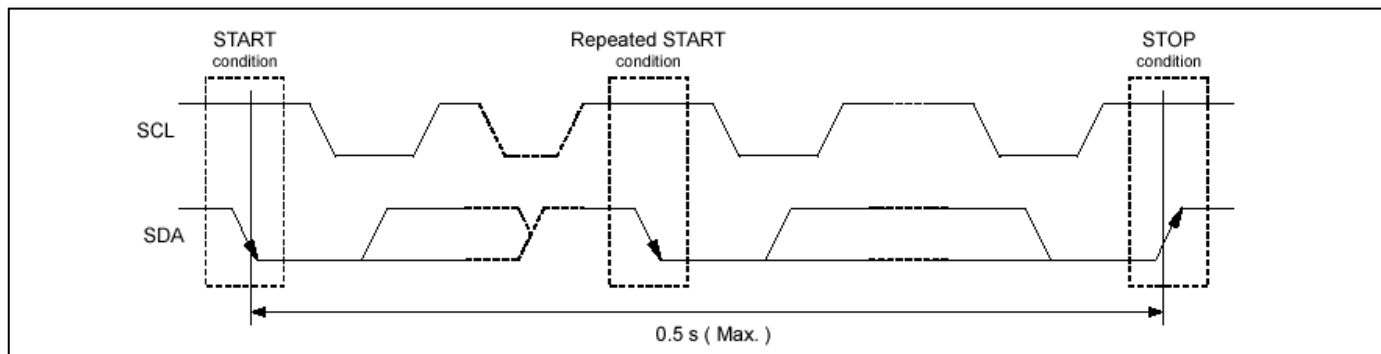


Fig.2 Starting and stopping on I²C bus

START condition, repeated START condition, and STOP condition

- **START condition**
SDA level changes from high to low while SCL is at high level
- **STOP condition**
SDA level changes from low to high while SCL is at high level
- **Repeated START condition (RESTART condition)**

In some cases, the START condition occurs between a previous START condition and the next STOP condition, in which case the second START condition is distinguished as a RESTART condition. Since the required status is the same as for the START condition, the SDA level changes from high to low while SCL is at high level.

d) Data Transfers and Acknowledge Responses during I²C-BUS Communication

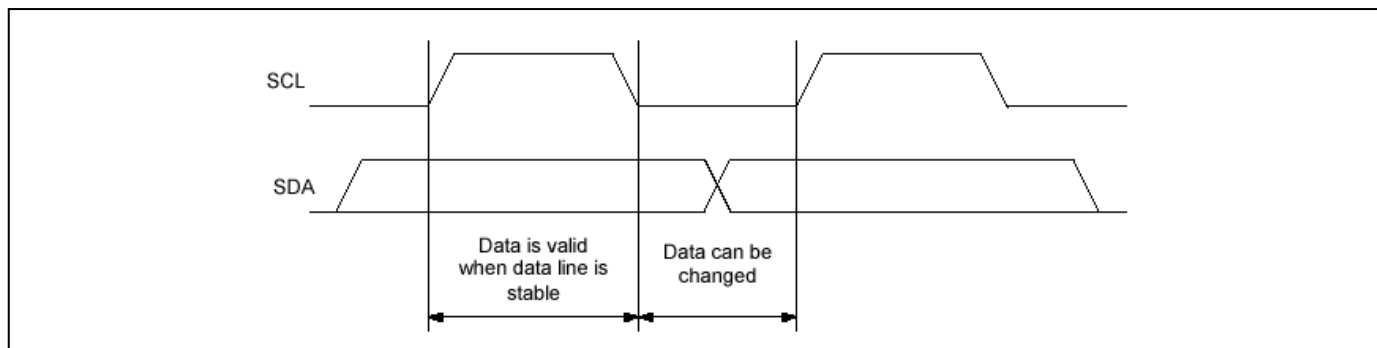
• **Data transfers**

Data transfers are performed in 8-bit (1 byte) units once the START condition has occurred. There is no limit on the amount (bytes) of data that are transferred between the START condition and STOP condition.

The address auto increment function operates during both write and read operations.

Updating of data on the transmitter (transmitting side)'s SDA line is performed while the SCL line is at low level.

The receiver (receiving side) captures data while the SCL line is at high level.

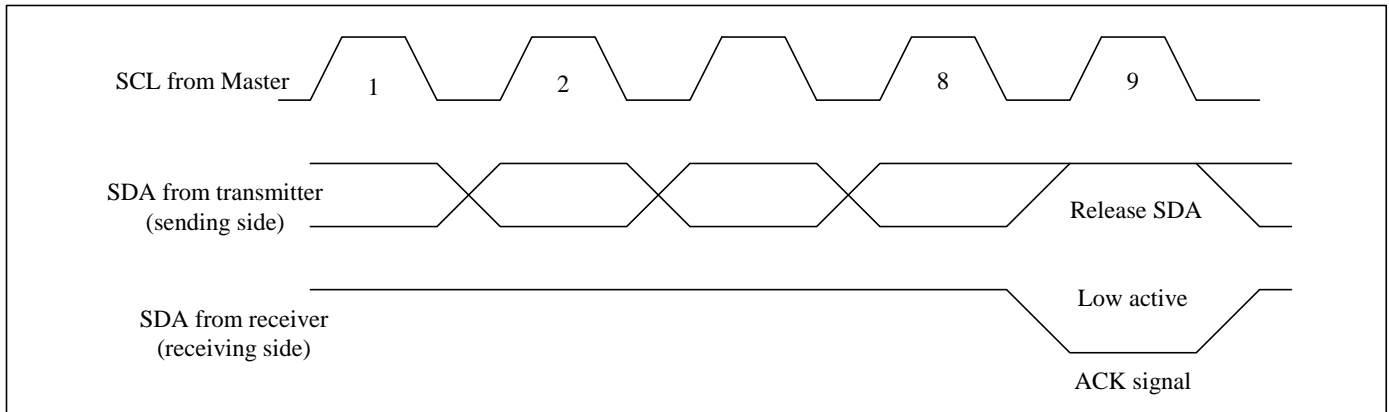


***Note:** with caution that if the SDA data is changed while the SCL line is at high level, it will be treated as a START, RESTART, or STOP condition.

Data acknowledge response (ACK signal)

When transferring data, the receiver generates a confirmation response (ACK signal, low active) each time an 8-bit data segment is received. If there is no ACK signal from the receiver, it indicates that normal communication has not been established. (This does not include instances where the master device intentionally does not generate an ACK signal.)

Immediately after the falling edge of the clock pulse corresponding to the 8th bit of data on the SCL line, the transmitter releases the SDA line and the receiver sets the SDA line to low (= acknowledge) level.



After transmitting the ACK signal, if the Master remains the receiver for transfer of the next byte, the SDA is released at the falling edge of the clock corresponding to the 9th bit of data on the SCL line. Data transfer resumes when the Master becomes the transmitter.

When the Master is the receiver, if the Master does not send an ACK signal in response to the last byte sent from the slave, that indicates to the transmitter that data transfer has ended. At that point, the transmitter continues to release the SDA and awaits a STOP condition from the Master.

e) Slave Address

The I²C bus device does not include a chip select pin such as is found in ordinary logic devices. Instead of using a chip select pin, slave addresses are allocated to each device.

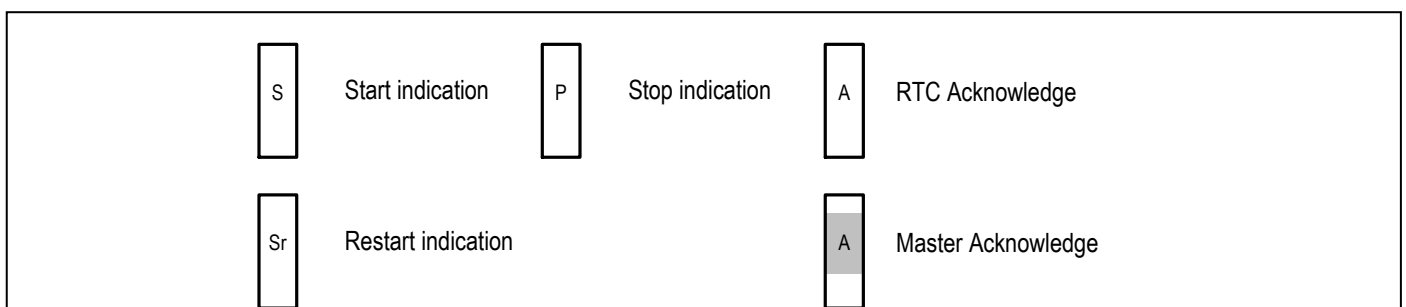
All communications begin with transmitting the [START condition] + [slave address (+ R/W specification)]. The receiving device responds to this communication only when the specified slave address it has received matches its own slave address.

Slave addresses have a fixed length of 7 bits. See table for the details.

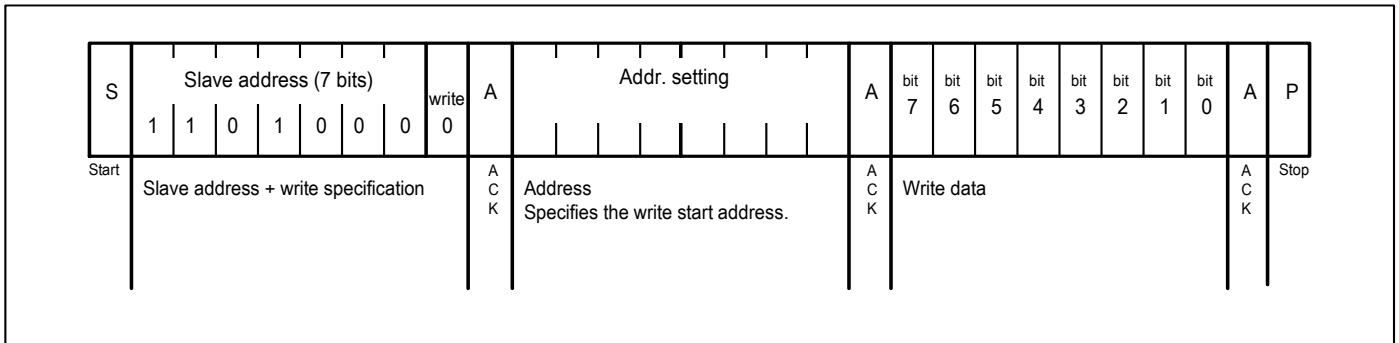
An R/W bit is added to each 7-bit slave address during 8-bit transfers.

| Operation | Transfer data | Slave address | | | | | | | R / \bar{W} bit |
|-----------|---------------|---------------|-------|-------|-------|-------|-------|-------|-------------------|
| | | bit 7 | bit 6 | bit 5 | bit 4 | bit 3 | bit 2 | bit 1 | bit 0 |
| Read | D1 h | 1 | 1 | 0 | 1 | 0 | 0 | 0 | 1 (= Read) |
| Write | D0 h | 1 | 1 | 0 | 1 | 0 | 0 | 0 | 0 (= Write) |

2. I²C Bus's Basic Transfer Format

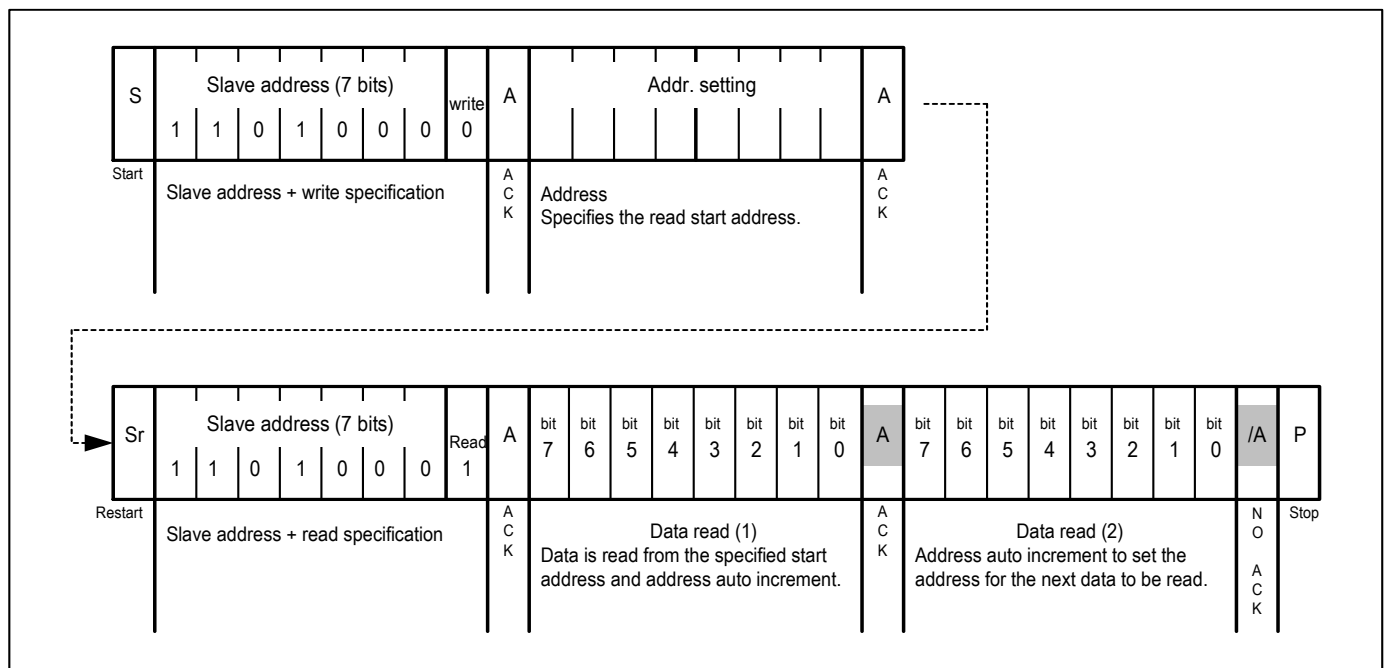


a) Write via I²C bus

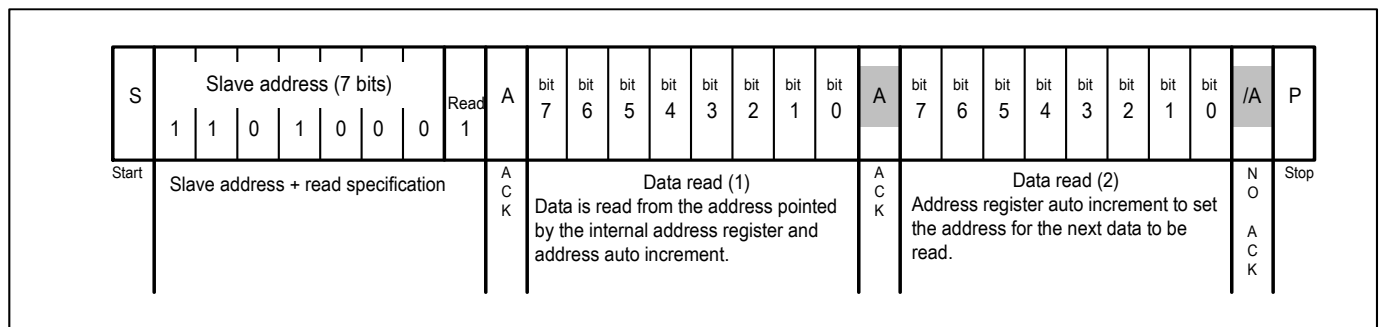


b) Read via I²C bus

• **Standard read**



• **Simplified read**



Note:

- The above steps are an example of transfers of one or two bytes only. There is no limit to the number of bytes transferred during actual communications.
- 49H, 4AH are used as test mode address. Customer should not use the addresses.

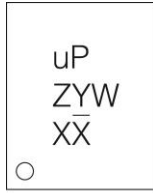
Part Marking

W Package



U: Die Rev
 AB: Date Code (Year & Workweek)
 K: Assembly Site Code
 G: Wafer Fab Site Code
 The Bar above "T" means Fab3 of magnachip
 The Bar above "G" means Cu wire

ZE Package



Z: Die Rev
 YW: Date Code (Year & Workweek)
 1st X: Assembly Site Code
 2nd X: Wafer Fab Site Code
 Bar above fab code means Cu wire

Packaging Mechanical

8- SOIC (W)

| SYMBOLS | MIN. | NOM. | MAX. |
|---------|----------|------|------|
| A | — | — | 1.75 |
| A1 | 0.10 | — | 0.25 |
| A2 | 1.25 | — | — |
| b | 0.31 | — | 0.51 |
| c | 0.10 | — | 0.25 |
| D | 4.80 | 4.90 | 5.00 |
| E | 5.80 | 6.00 | 6.20 |
| E1 | 3.80 | 3.90 | 4.00 |
| e | 1.27 BSC | | |
| L | 0.40 | — | 1.27 |
| h | 0.25 | — | 0.50 |
| θ° | 0 | — | 8 |

UNIT : mm

NOTE :
 1. ALL DIMENSIONS ARE IN mm. ANGLES IN DEGREES
 2. DIMENSIONS EXCLUDE BURRS, MOLD FLASH OR PROTRUSIONS
 3. REFER JEDEC MS-012

| | |
|--|-----------------------|
| PERICOM Enabling Serial Connectivity | DATE: 02/21/14 |
| DESCRIPTION: 8-Pin, 150mil-Wide, SOIC | |
| PACKAGE CODE: W (W8) | |
| DOCUMENT CONTROL #: PD-1001 | REVISION: G |

15-0103

8- TDFN (ZE)

| PKG. DIMENSIONS(MM) | | |
|---------------------|----------|------|
| SYMBOL | Min | Max |
| A | 0.70 | 0.80 |
| A1 | 0.00 | 0.05 |
| A3 | 0.20 REF | |
| D | 1.92 | 2.08 |
| E | 2.92 | 3.07 |
| D1 | 1.40 | 1.60 |
| E1 | 1.40 | 1.60 |
| k | 0.20 MIN | |
| b | 0.20 | 0.30 |
| e | 0.50 TYP | |
| L | 0.22 | 0.38 |

Notes:
1. Ref. JEDEC MO-229

| | | |
|-------------------------------|---------|----------------|
| | | DATE: 06/14/13 |
| DESCRIPTION: 8-Pin, TDFN, 2X3 | | |
| PACKAGE CODE: ZE (ZE8) | | |
| DOCUMENT CONTROL#: | PD-2116 | REVISION: -- |

13-0155

For latest package info.

please check: <http://www.diodes.com/design/support/packaging/pericom-packaging/packaging-mechanicals-and-thermal-characteristics/>

Ordering Information

| Part Number | Package Code | Package Description |
|--------------|--------------|---------------------------|
| PT7C4311WEX | W | 8-Pin, 150mil-Wide (SOIC) |
| PT7C4311ZEEX | ZE | 8-Pin, 2x3 (TDFN) |

Notes:

- No purposely added lead. Fully EU Directive 2002/95/EC (RoHS), 2011/65/EU (RoHS 2) & 2015/863/EU (RoHS 3) compliant.
- See <https://www.diodes.com/quality/lead-free/> for more information about Diodes Incorporated's definitions of Halogen- and Antimony-free, "Green" and Lead-free.
- Halogen- and Antimony-free "Green" products are defined as those which contain <900ppm bromine, <900ppm chlorine (<1500ppm total Br + Cl) and <1000ppm antimony compounds.
- E = Pb-free and Green
- X suffix = Tape/Reel

IMPORTANT NOTICE

DIODES INCORPORATED MAKES NO WARRANTY OF ANY KIND, EXPRESS OR IMPLIED, WITH REGARDS TO THIS DOCUMENT, INCLUDING, BUT NOT LIMITED TO, THE IMPLIED WARRANTIES OF MERCHANTABILITY AND FITNESS FOR A PARTICULAR PURPOSE (AND THEIR EQUIVALENTS UNDER THE LAWS OF ANY JURISDICTION).

Diodes Incorporated and its subsidiaries reserve the right to make modifications, enhancements, improvements, corrections or other changes without further notice to this document and any product described herein. Diodes Incorporated does not assume any liability arising out of the application or use of this document or any product described herein; neither does Diodes Incorporated convey any license under its patent or trademark rights, nor the rights of others. Any Customer or user of this document or products described herein in such applications shall assume all risks of such use and will agree to hold Diodes Incorporated and all the companies whose products are represented on Diodes Incorporated website, harmless against all damages.

Diodes Incorporated does not warrant or accept any liability whatsoever in respect of any products purchased through unauthorized sales channel.

Should Customers purchase or use Diodes Incorporated products for any unintended or unauthorized application, Customers shall indemnify and hold Diodes Incorporated and its representatives harmless against all claims, damages, expenses, and attorney fees arising out of, directly or indirectly, any claim of personal injury or death associated with such unintended or unauthorized application.

Products described herein may be covered by one or more United States, international or foreign patents pending. Product names and markings noted herein may also be covered by one or more United States, international or foreign trademarks.

This document is written in English but may be translated into multiple languages for reference. Only the English version of this document is the final and determinative format released by Diodes Incorporated.

LIFE SUPPORT

Diodes Incorporated products are specifically not authorized for use as critical components in life support devices or systems without the express written approval of the Chief Executive Officer of Diodes Incorporated. As used herein:

A. Life support devices or systems are devices or systems which:

1. are intended to implant into the body, or
2. support or sustain life and whose failure to perform when properly used in accordance with instructions for use provided in the labeling can be reasonably expected to result in significant injury to the user.

B. A critical component is any component in a life support device or system whose failure to perform can be reasonably expected to cause the failure of the life support device or to affect its safety or effectiveness.

Customers represent that they have all necessary expertise in the safety and regulatory ramifications of their life support devices or systems, and acknowledge and agree that they are solely responsible for all legal, regulatory and safety-related requirements concerning their products and any use of Diodes Incorporated products in such safety-critical, life support devices or systems, notwithstanding any devices- or systems-related information or support that may be provided by Diodes Incorporated. Further, Customers must fully indemnify Diodes Incorporated and its representatives against any damages arising out of the use of Diodes Incorporated products in such safety-critical, life support devices or systems.

Copyright © 2020, Diodes Incorporated
www.diodes.com

X-ON Electronics

Largest Supplier of Electrical and Electronic Components

Click to view similar products for [Real Time Clock](#) category:

Click to view products by [Diodes Incorporated](#) manufacturer:

Other Similar products are found below :

[DS1302Z-LF](#) [710029X](#) [879047C](#) [405800G](#) [PT7C43390LE](#) [RV-3029-C2-32.768k-OPTION-B-TB-QA](#) [RV-2123-C2-32.768k-20PPM-TA-QA](#)
[RV-3029-C2-32.768k-OPTION-A-TB-QA](#) [PT7C4563UEX](#) [RV-3029-C3-32.768k-OPTION-A-TB-QA](#) [RV-2123-C2-32.768kHz-20PPM-TA-QC](#) [RX-4035LC:B3 PURE SN](#) [RX-8564LC:B PURE SN](#) [RX-8803LCUB PURE SN BULK](#) [BQ32002D](#) [RTC-8564JE](#) [MCP7940M-I/P](#)
[DS3231SN#T&R](#) [DS1391U-18+](#) [DS1347T+T&R](#) [RX-8564LC:B3 PURE SN](#) [DS1338Z-33+T](#) [RX-4571SA:B3 PURE SN](#) [DS1340U-33+T&R](#)
[RX-8571LC:B3 PURE SN](#) [S-35190A-J8T1U](#) [RTC-4543SAB](#) [RTC-72421A](#) [RX-8803LC:UB3 PURE SN](#) [S-35390A-T8T1](#) [AB1815-T3](#) [AB-RTCMC-32.768kHz-AIGZ-S7-T](#) [AB-RTCMC-32.768kHz-B5GA-S3-T](#) [AB-RTCMC-32.768kHz-B5ZE-S3-T](#) [AB-RTCMC-32.768kHz-EOA9-S3-D-B-T](#) [AB-RTCMC-32.768kHz-EOZ9-S3-D-B-T](#) [AB-RTCMC-32.768KHZ-EOZ9-S3-HAT](#) [AB-RTCMC-32.768kHz-ZIZE-S2-T](#)
[DS1672U-33+](#) [DS1337U+T&R](#) [DS1339AU+](#) [FM33256B-G](#) [DS1673E-5-LF](#) [DS1672U-3+](#) [DS1672U-33+T&R](#) [HYM1307N](#) [HYM1302](#)
[HYM1302N](#) [PCF8563N](#) [DS1302N](#)