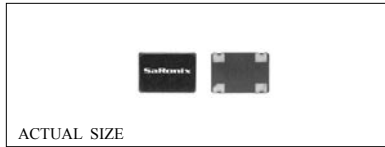


Technical Data

S1700 / S1703 / S1750 Series



Description

The S1700, S1703 and S1750 are crystal-controlled, low-current oscillators providing precise rise and fall times to drive high speed CMOS and TTL loads. The sub-miniature, ceramic package has gold-plated contact pads, ideal for today's pick-and-place SMT environments and lead-free soldering. The S1750 is a high output load version available to 67 MHz.

Applications & Features

- Sub-miniature, very low profile package is ideal for SMT applications
- Ideal for lead-free soldering
- CMOS, HCMOS & TTL compatible
- Perfect for PC's; notebook, palmtop computers; portable applications; PC-MCIA cards; disc drives.
- S1700 for low power 5V application
- S1703 for 3.3V operations. Low-power Stand-by above 66.667MHz
- S1750 for high output load, higher fan-out applications
- Available on tape & reel; 16mm tape, 500pcs per reel

Frequency Range:	1.8432 MHz to 80 MHz
Frequency Stability:	±50 or ±100 ppm over all conditions; calibration tolerance, operating temperature, rated input (supply) voltage change, load change, aging*.
*Aging:	1 year @ 25°C average ambient temperature), shock and vibration.

Temperature Range:	
Operating:	0 to +70°C
Storage:	-55 to +125°C

Supply Voltage:	5.0V ±10% (S1700 & S1750) 3.3V ±10% (S1703)
------------------------	--

Supply Current:	S1700: 15mA max 1.8432 to 35MHz 30mA max 35+ to 66MHz 50mA max 66+ to 80MHz S1750: 20mA max 1.8432 to 20MHz 35mA max 20+ to 50MHz 60mA max 50+ to 67MHz S1703: 8mA max 1.8432 to 34MHz (5mA max disable) 12mA max 34+ to 50MHz (8mA max disable) 15mA max 50+ to 64MHz (10mA max disable) 35mA max 64+ to 66.667MHz (23mA max disable) 35mA max 66.667+ to 80MHz (10µA max disable low power standby)
------------------------	---

Output:	
<u>TTL</u> (S1750 only)	Symmetry: 40/60% max @ 1.5V Rise & Fall Times: 5ns max 0.5 to 2.5V Logic 0: 0.5V max Logic 1: 2.5V min Load: 5 TTL Period Jitter RMS: 8ps max
<u>HCMOS</u>	Symmetry: 45/55% max @ 50% V _{DD} , 40/60% max for S1703 Rise & Fall Times: 10ns max, 20% to 80% V _{DD} (5ns max S1703 67+ MHz) Logic 0: 10% V _{DD} max Logic 1: 90% V _{DD} min Load max: S1700: 15pF, S1703: 15pF (≤64MHz) & 30pF (64+MHz), S1750: 50pF Period Jitter RMS: 8ps max

Output Enable Characteristics			
	S1700	S1750	S1703
Output Oscillation (V _{IN}):	≥ 90% V _{DD} or N/C	≥ 2.2V or N/C	≥ 2.2V or N/C
Output High Impedance (V _{IN}):	≤ 10% V _{DD} or GND	≤ 0.8V GND	≤ 0.5V or GND
Disable Output Delay:	≤ 100ns	≤ 100ns	≤ 150ns
Enable Output Delay:	≤ 100ns	≤ 100ns	≤ 150ns*
Internal Pullup Resistance:	≥ 50kΩ	≥ 50kΩ	≥ 50kΩ
	* 10ms above 66.667 MHz for S1703		

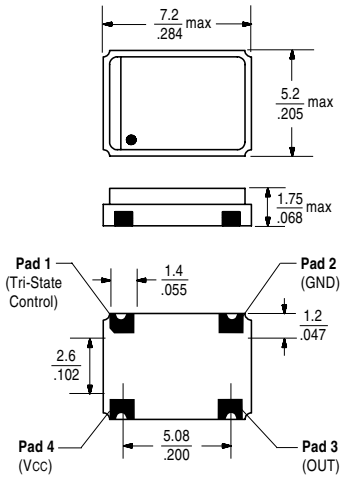
Mechanical:	Shock: MIL-STD-883, Method 2002, Condition B Solderability: MIL-STD-883, Method 2003 Vibration: MIL-STD-883, Method 2007, Condition A Solvent Resistance: MIL-STD-202, Method 215 Resistance to Soldering Heat: MIL-STD-202, Method 210, Condition I or J
--------------------	---

Environmental:	Gross Leak Test: MIL-STD-883, Method 1014, Condition C Fine Leak Test: MIL-STD-883, Method 1014, Condition A2 Thermal Shock: MIL-STD-883, Method 1011, Condition A Humidity: MIL-STD-883, Method 1004
-----------------------	--

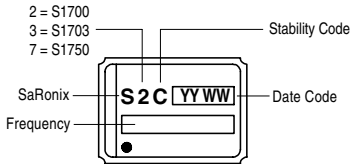
Technical Data

S1700 / S1703 / S1750 Series

Package Details

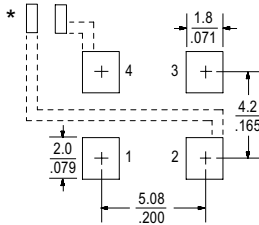


Marking Format*



*Exact Locations May Vary

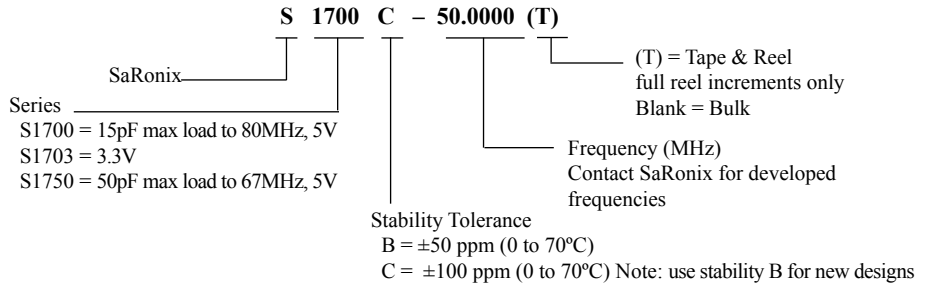
Recommended Land Pattern



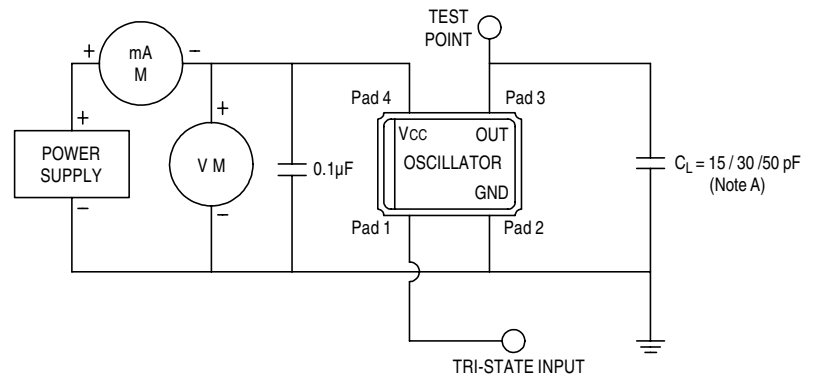
* External power supply decoupling required.

Scale: None (Dimensions in $\frac{\text{mm}}{\text{inches}}$)

Part Numbering Guide

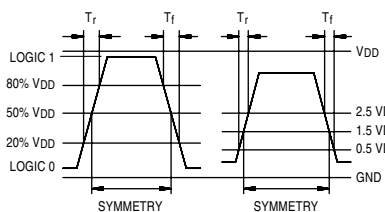


Test Circuit

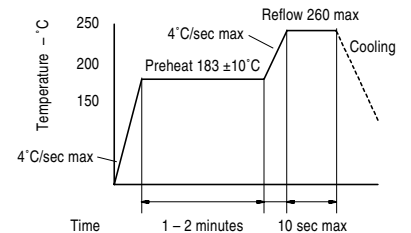


Note A: CL includes probe and fixture capacitance
15 pF S1700 to 80 MHz
15pF S1703 to 64 MHz (30pF to 80MHz)
50 pF S1750 to 67 MHz

Output Waveform



Solder Reflow Guide



X-ON Electronics

Largest Supplier of Electrical and Electronic Components

Click to view similar products for [Standard Clock Oscillators](#) category:

Click to view products by [Diodes Incorporated](#) manufacturer:

Other Similar products are found below :

[601252](#) [F335-25](#) [F535L-33.333](#) [F535L-50](#) [NBXHBA019LN1TAG](#) [SiT1602BI-22-33E-50.000000E](#) [SIT8918AA-11-33S-50.000000G](#)
[SM4420TEV-40.0M-T1K](#) [F335-24](#) [F335-40](#) [F535L-10](#) [F535L-12](#) [F535L-24](#) [F535L-27](#) [PE7744DW-100.0M](#) [ASF1-3.686MHZ-N-K-S](#) [ASV-](#)
[4.000MHZ-LCS-T](#) [XLH735025.000JU4I8](#) [XLP725125.000JU6I8](#) [XO57CTECNA3M6864](#) [601251](#) [SiT8503AI-18-33E-0.200000X](#)
[SIT8918AA-11-33S-16.000000G](#) [SIT9122AI2C233E300.000000X](#) [9120AC-2D2-33E212.500000](#) [9102AI-243N25E100.00000](#) [8208AC-82-](#)
[18E-25.00000](#) [8008AI-72-XXE-24.545454E](#) [8004AC-13-33E-133.33000X](#) [AS-4.9152-16-SMD-TR](#) [ASFL1-48.000MHZ-LC-T](#)
[632L3I004M00000](#) [SIT8920AM-31-33E-25.0000](#) [DSC1028DI2-019.2000](#) [9121AC-2C3-25E100.00000](#) [9102AI-233N33E100.00000X](#)
[9102AI-233N25E200.00000](#) [9102AI-232H25S125.00000](#) [9102AI-133N25E200.00000](#) [9102AC-283N25E200.00000](#) [9001AC-33-33E1-30.000](#)
[8103AC-13-33E-12.00000X](#) [3921AI-2CF-33NZ125.000000](#) [5730-1SF](#) [XUN736000.032768I](#) [ASV-25.000MHZ-ECS-50-T](#) [EC3925ETTTS-](#)
[100.000M TR](#) [SIT1602BC-83-33E-10.000000Y](#) [8003AI-12-33S-40.00000Y](#) [1602BI-13-33S-19.200000E](#)