

DIO1159

Low On-Resistance, Low THD Analog Switch

Features

- 5.5 tolerant on control pin
- Voltage Operation: 1.65V to 5.5V
- Low On Resistance: 1Ω @ 4.2V V_{CC}
- Excellent On Resistance Matching
- Low Total Harmonic Distortion (THD)
- Low Charge Injection
- Low power consumption
- Green or RoHS Packaged: SC70 and SOT23
- 1.5KV CDM ESD Rating, 8kV HBM ESD

Descriptions

The DIO1159 is a low power, single pole double throw analog switch, which is designed to operate from a single 1.65V to 5.5V supply.

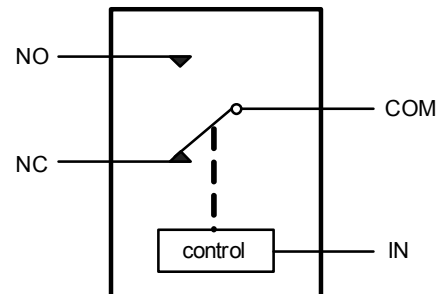
DIO1159 has low on resistance, excellent on resistance matching and very low total harmonic distortion performance to prevent signal distortion during signals transferring. All these features make DIO1159 suitable for portable audio applications.

DIO1159 is available in two type packages: SC70-6 and SOT23-6

Applications

- Cell Phones
- PDAs and MP3s
- Portable Instrumentation
- Battery Powered Communications
- Computer Peripherals

Block Diagram



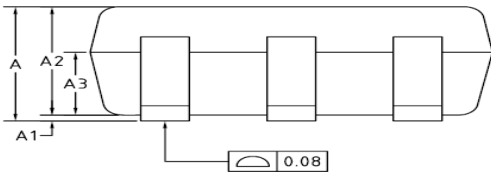
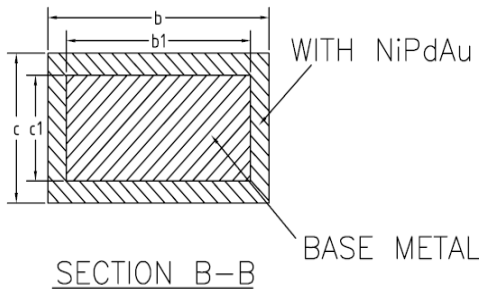
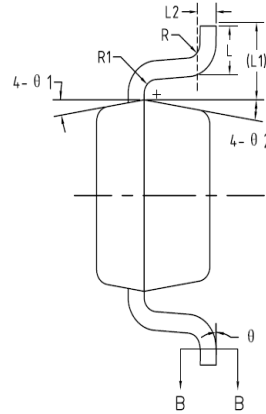
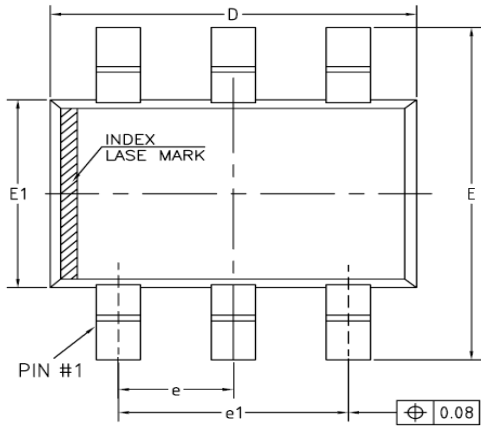
Ordering Information

Order Part Number	Top Marking		T_A		Package
DIO1159SC6	YW(X)Z	Green or RoHS	-40 to +85 °C	SC70-6	Tape & Reel, 3000
DIO1159ST6	YW(X)Z	Green or RoHS	-40 to +85 °C	SOT23-6	Tape & Reel, 3000

DIO1159

Low On-Resistance, Low THD Analog Switch

Physical Dimensions: SC70-6

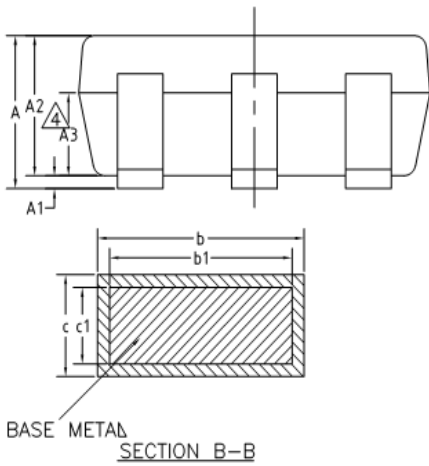
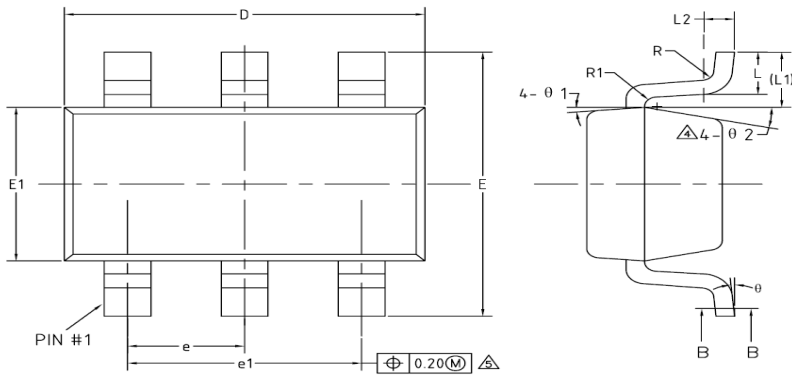


COMMON DIMENSIONS (UNITS OF MEASURE=MILLIMETER)			
Symbol	MIN	NOM	MAX
A	0.85	-	1.05
A1	0	-	0.10
A2	0.80	0.90	1.00
A3	0.47	0.52	0.57
b	0.22	-	0.29
b1	0.22	0.25	0.28
c	0.115	-	0.15
c1	0.115	0.13	0.14
D	2.02	2.07	2.12
E	2.20	2.30	2.40
E1	1.25	1.30	1.35
e	0.65BSC		
e1	1.30BSC		
L	0.28	0.33	0.38
L1	0.50REF		
L2	0.15BSC		
R	0.10	-	-
R1	0.10	-	0.25
θ	0°	-	8°
θ_1	6°	9°	12°
θ_2	6°	9°	12°

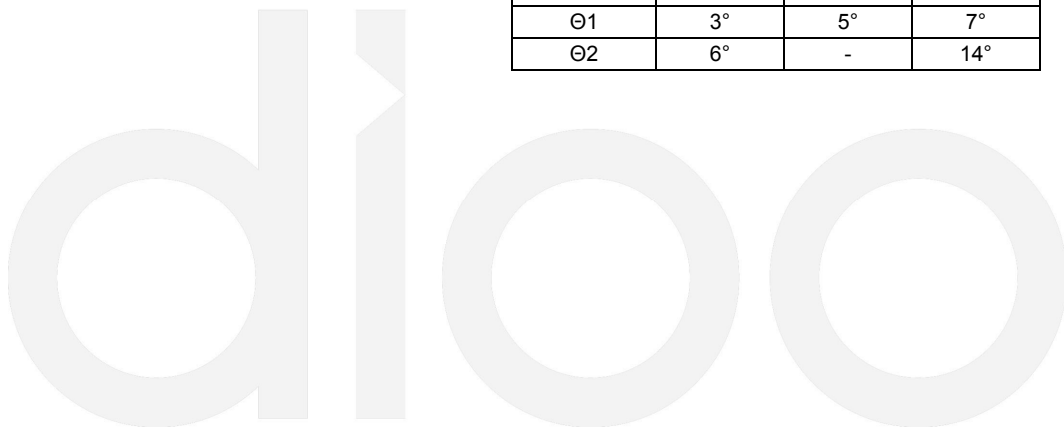
DIO1159

Low On-Resistance, Low THD Analog Switch

Physical Dimensions: SOT-23-6



COMMON DIMENSIONS (UNITS OF MEASURE=MILLIMETER)			
Symbol	MIN	NOM	MAX
A	-	-	1.25
A1	0	-	0.15
A2	1.00	1.10	1.20
A3	0.60	0.65	0.70
b	0.36	-	0.50
b1	0.36	0.38	0.45
c	0.14	-	0.20
c1	0.14	0.15	0.16
D	2.826	2.926	3.026
E	2.60	2.80	3.00
E1	1.526	1.626	1.726
e	0.90	0.95	1.00
e1	1.80	1.90	2.00
L	0.35	0.45	0.60
L1	0.59REF		
L2	0.25BSC		
R	0.10	-	-
R1	0.10	-	0.25
θ	0°	-	8°
θ1	3°	5°	7°
θ2	6°	-	14°



CONTACT US

Dioo is a professional design and sales corporation for high-quality and performance analog semiconductors. The company focuses on industry markets, such as, cell phone, handheld products, laptop, and medical equipments and so on. Dioo's product families include analog signal processing and amplifying, LED drivers and charger IC. Go to <http://www.dioo.com> for a complete list of Dioo product families.

For additional product information, or full datasheet, please contact with our Sales Department or Representatives.



X-ON Electronics

Largest Supplier of Electrical and Electronic Components

Click to view similar products for [Analogue Switch ICs](#) category:

Click to view products by [Dioo](#) manufacturer:

Other Similar products are found below :

[NLAS7222BMUTAG](#) [MAX4684EUB+T](#) [SGM7227YUWQ10G/TR](#) [WAS4644C-36/TR](#)
[RS2105XTDC10](#) [BL1530TQFN](#) [DIO3157ESC6](#) [DIO32020LP10](#) [ADG658YRUZ-REEL7](#)
[SP2526A-1EN-L/TR](#) [BA7603F-E2](#) [MAX4702EUE+](#) [MAX4617CUE+](#) [MAX4599EUT+T](#)
[MAX4564EUA+](#) [MAX4066ESD+](#) [MAX4052ACSE+](#) [MAX396CAI+](#) [MAX391CPE+](#)
[MAX4885AEETI+](#) [MAX4730EXT+T](#) [MAX314CPE+](#) [MAX4051AEED+](#)
[MAX4051ACSE+](#) [MAX325ESA+](#) [BU4066BCFV-E2](#) [MAX313CPE+](#) [BU4S66G2-TR](#)
[TS3A4751PWR](#) [NCN1154MUTAG](#) [DG444DY-E3](#) [DG408DYZ-T](#) [NLAS4157DFT2G](#)
[NLAS4599DFT2G](#) [NLAS7242MUTBG](#) [NLASB3157DFT2G](#) [NLAST4599DFT2G](#)
[NLAST4599DTT1G](#) [DG403DY-T1-E3](#) [SA630D/01.112](#) [MAX4714EXTT](#) [MAX392CPE](#)
[BGSX22G2A10E6327XTSA1](#) [ADG1611BRUZ-REEL7](#) [PI5C3245QE](#) [AOZ6135HI](#)
[AOZ6184QT](#) [NLAS4599DTT1G](#) [FSA2257MUX](#) [FSA3157P6X](#)