

# DIO1717

## 2.8Ω, 300MHz Dual-SPDT Analog Switch with Negative Swing Audio Capability

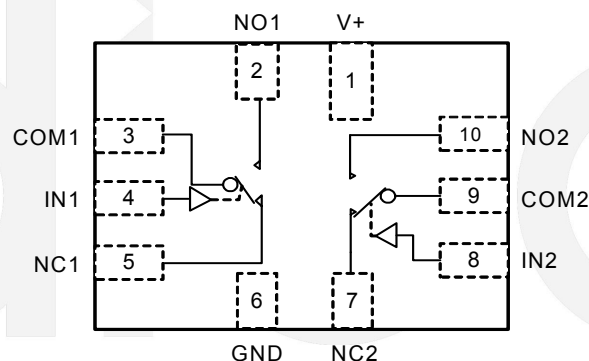
### Features

- Voltage Operation: +2.5V to +5.0V
- -2.0V to V+ Signal Passing Ability
- On-Resistance: 2.8Ω (TYP) at +4.5V
- High Bandwidth: 300MHz
- Fast Switching Times:  $t_{ON}$  1.8μs  
 $t_{OFF}$  350ns
- High Off-Isolation: -49dB at 10MHz
- Low Crosstalk: -52dB at 10MHz
- Negative signal handling: the lowest -2.0V negative signal pass
- TTL/CMOS Compatible
- Break-Before-Make Switching
- Extended Industrial Temperature Range:  
-40°C to +85°C

### Applications

- Cell Phone, and Digital Camera
- PDA , and Notebook
- LCD Monitor
- TV, and Set-Top Box

### Block Diagram



### Descriptions

The DIO1717 is a dual, bidirectional, single-pole/ double-throw (SPDT) CMOS analog switch designed to operate from a single +2.5V to +5.0V supply. It features high-bandwidth (300MHz) and low on-resistance (2.8Ω TYP), the lowest -2.0V negative signal can pass switch.

DIO1717 features guaranteed on-resistance matching (0.05Ω TYP) between switches. This ensures excellent linearity and low distortion when switching audio signals.

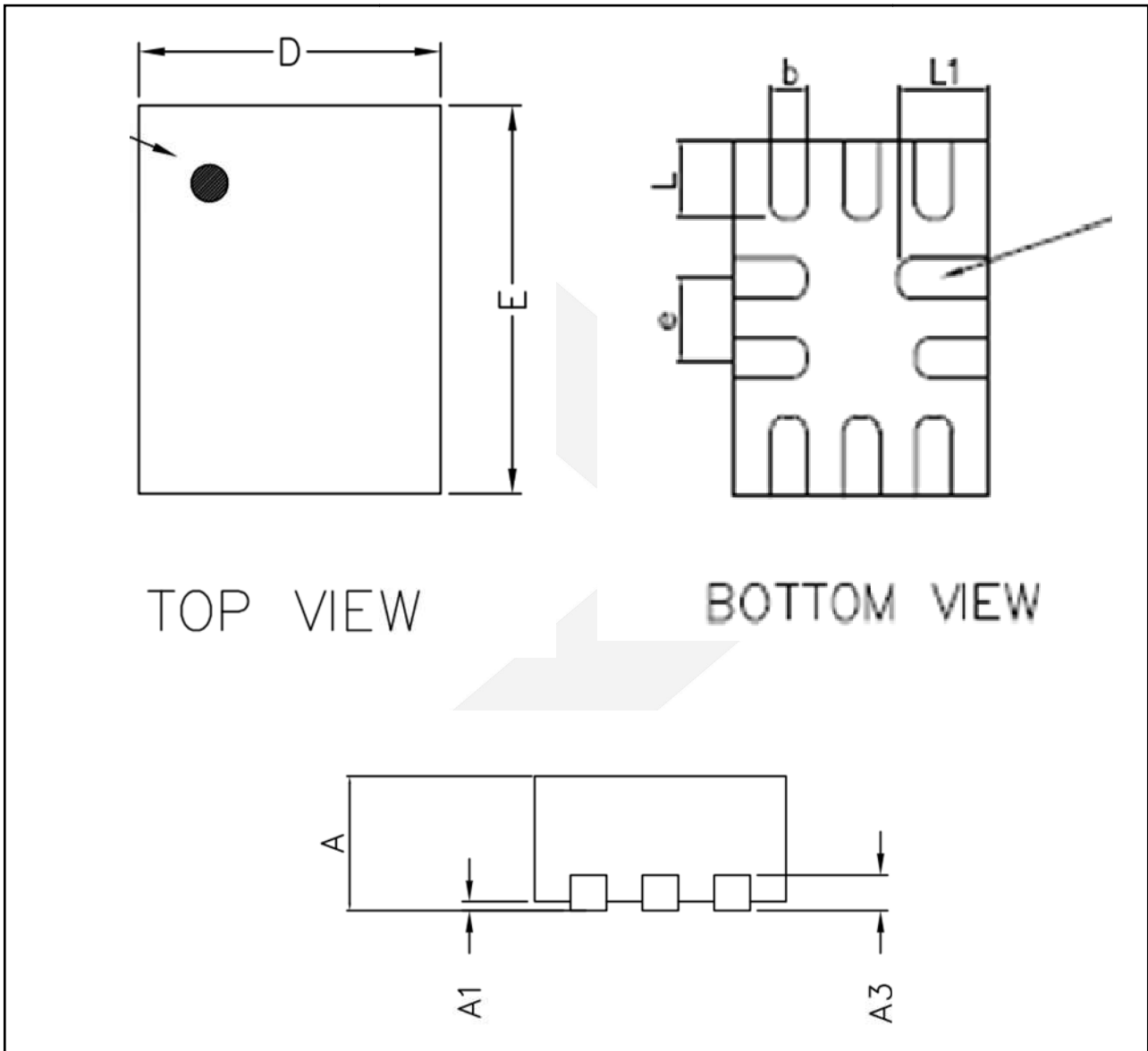
The DIO1717 is a committed dual single-pole/ double-throw (SPDT) that consist of two normally open (NO) and two normally close (NC) switches. This configuration can be used as a dual 2-to-1 multiplexer.

DIO1717 is available in DQFN-10 package.

### Ordering Information

Order Part Number	Top Marking		T <sub>A</sub>	Package	
DIO1717LP10	YW(X)Z	Green	-40 to +85°C	DQFN-10	Tape & Reel, 3000

Physical Dimensions: DQFN-10



COMMON DIMENSIONS(MM)				
PKG.	UT:ULTRA THIN			
	REF	MIN	NOM	MAX
A	0.50	0.55	0.60	
A1	0.00	--	0.05	
A3	0.15REF.			
D	1.35	1.40	1.45	
E	1.75	1.80	1.85	
b	0.15	0.20	0.25	
L	0.30	0.40	0.50	
L1	0.40	0.50	0.60	
e	0.40BSC			

## CONTACT US

Dioo is a professional design and sales corporation for high-quality and performance analog semiconductors. The company focuses on industry markets, such as, cell phone, handheld products, laptop, and medical equipments and so on. Dioo's product families include analog signal processing and amplifying, LED drivers and charger IC. Go to <http://www.dioo.com> for a complete list of Dioo product families.

For additional product information, or full datasheet, please contact with our Sales Department or Representatives.



## X-ON Electronics

Largest Supplier of Electrical and Electronic Components

*Click to view similar products for [Analogue Switch ICs](#) category:*

*Click to view products by [Dioo](#) manufacturer:*

Other Similar products are found below :

[NLAS7222BMUTAG](#) [MAX4684EUB+T](#) [SGM7227YUWQ10G/TR](#) [WAS4644C-36/TR](#)  
[RS2105XTDC10](#) [BL1530TQFN](#) [DIO3157ESC6](#) [DIO32020LP10](#) [ADG658YRUZ-REEL7](#)  
[SP2526A-1EN-L/TR](#) [BA7603F-E2](#) [MAX4702EUE+](#) [MAX4617CUE+](#) [MAX4599EUT+T](#)  
[MAX4564EUA+](#) [MAX4066ESD+](#) [MAX4052ACSE+](#) [MAX396CAI+](#) [MAX391CPE+](#)  
[MAX4885AEETI+](#) [MAX4730EXT+T](#) [MAX314CPE+](#) [MAX4051AEED+](#)  
[MAX4051ACSE+](#) [MAX325ESA+](#) [BU4066BCFV-E2](#) [MAX313CPE+](#) [BU4S66G2-TR](#)  
[TS3A4751PWR](#) [NCN1154MUTAG](#) [DG444DY-E3](#) [DG408DYZ-T](#) [NLAS4157DFT2G](#)  
[NLAS4599DFT2G](#) [NLAS7242MUTBG](#) [NLASB3157DFT2G](#) [NLAST4599DFT2G](#)  
[NLAST4599DTT1G](#) [DG403DY-T1-E3](#) [SA630D/01.112](#) [MAX4714EXTT](#) [MAX392CPE](#)  
[BGSX22G2A10E6327XTSA1](#) [ADG1611BRUZ-REEL7](#) [PI5C3245QE](#) [AOZ6135HI](#)  
[AOZ6184QT](#) [NLAS4599DTT1G](#) [FSA2257MUX](#) [FSA3157P6X](#)