



DIO2561

One-Channel, 11MHz, 6th-Order Standard Definition Video Filter

Features

- One-ch 6th-order 11MHz SD filters
- 6dB Output Driver Gain and Drive Dual Video Load
- Transparent Input Clamping
- AC or DC Coupled Inputs
- AC or DC Coupled Outputs
- Operates from 3.135 to 5.5V Single Power Supply
- Low Power (8mA/Channel)
- RoHS or Green
- SOIC-8 and SC70-5 Package
- 8kV ESD protection

Applications

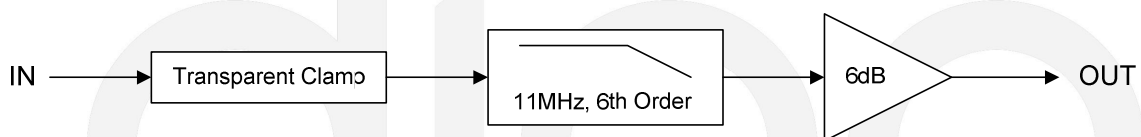
- DVD Players
- Video Amplifiers
- Cable set-top boxes
- Personal Video Recorders
- Communications Devices
- Video on Demand

Descriptions

DIO2561 is a low voltage, one channel video amplifier with integrated reconstruction filter and input clamps. DIO2561 provides improved image quality compared with passive LC filters and discrete drivers solution, especially suited for standard definition video signals, such as television and set-top box applications.

DIO2561 can be directly driven by a DC-coupled DAC output or an AC-coupled signal. Internal diode-like clamps and bias circuitry may be used if AC-coupled inputs are required. The output in DIO2561 can also drive AC or DC coupled single (150Ω) or dual (75Ω) loads. The DC coupling capacitors can be removed.

Block Diagram

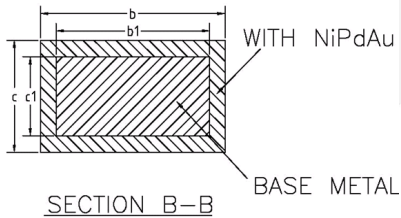
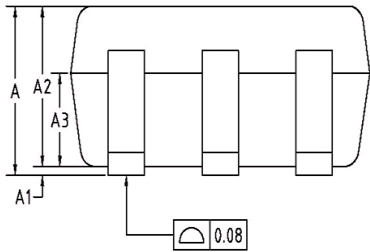
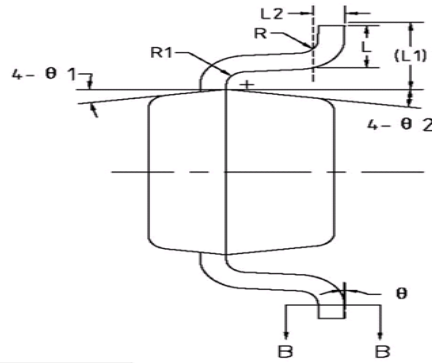
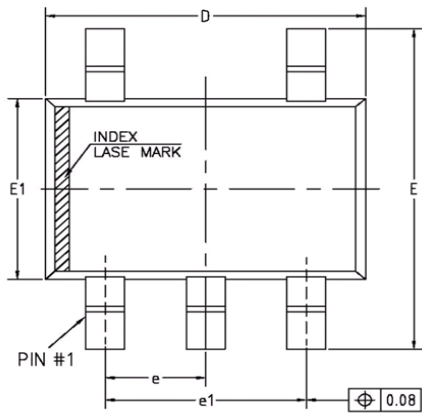


Ordering Information

Order Part Number	Top Marking		T _A	Package	
DIO2561SC5	YW(X)Z	RoHS or Green	-40 to +85°C	SC70-5	Tape & Reel, 3000
DIO2561SO8	DIO2561	RoHS or Green	-40 to +85°C	SOIC-8	Tape & Reel, 2500

DIO2561

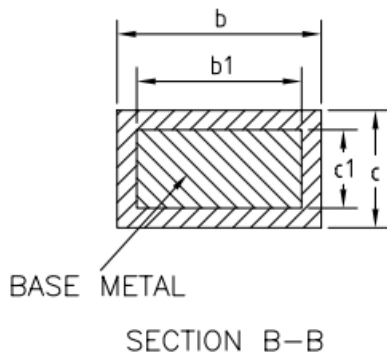
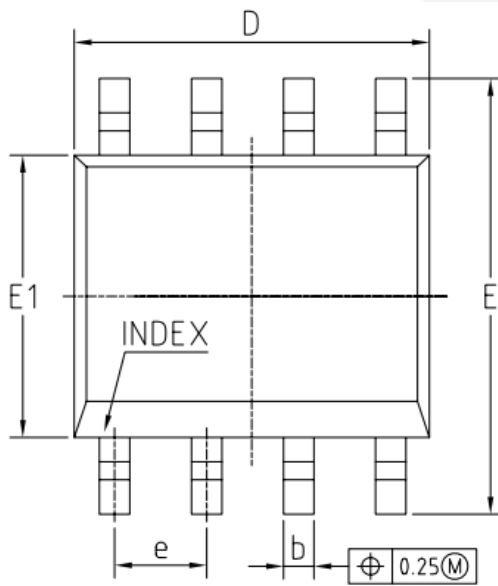
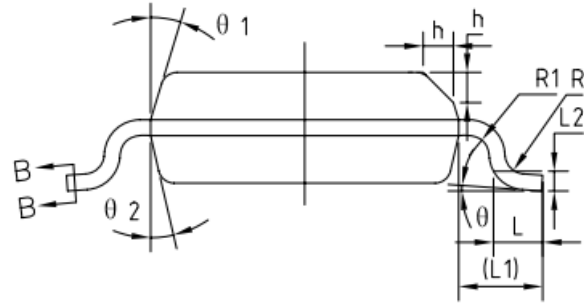
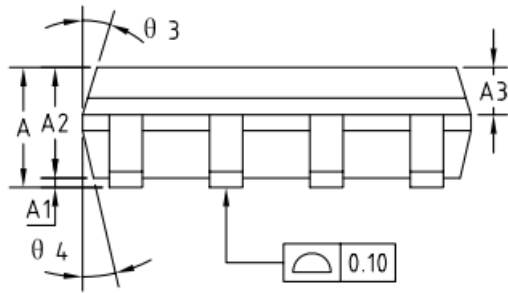
Physical Dimensions: SC70-5



COMMON DIMENSIONS (UNITS OF MEASURE=MILLIMETER)			
Symbol	MIN	NOM	MAX
A	0.85	-	1.05
A1	0	-	0.10
A2	0.80	0.90	1.00
A3	0.47	0.52	0.57
b	0.22	-	0.29
b1	0.22	0.25	0.28
c	0.115	-	0.15
c1	0.115	0.13	0.14
D	2.02	2.07	2.12
E	2.20	2.30	2.40
E1	1.25	1.30	1.35
e	0.65BSC		
e1	1.30BSC		
L	0.28	0.33	0.38
L1	0.50REF		
L2	0.15BSC		
R	0.10	-	-
R1	0.10	-	0.25
θ	0°	-	8°
θ1	6°	9°	12°
θ2	6°	9°	12°

DIO2561

Physical Dimensions: SOIC-8



COMMON DIMENSIONS (UNITS OF MEASURE=MILLIMETER)			
Symbol	MIN	NOM	MAX
A	1.35	1.55	1.75
A1	0.10	0.15	0.25
A2	1.25	1.40	1.65
A3	0.50	0.60	0.70
b	0.38	-	0.51
b1	0.37	0.42	0.47
c	0.17	-	0.25
c1	0.17	0.20	0.23
D	4.80	4.90	5.00
E	5.80	6.00	6.20
E1	3.80	3.90	4.00
e	1.27BSC		
L	0.45	0.60	0.80
L1	1.04REF		
L2	0.25BSC		
R	0.07	-	-
R1	0.07	-	-
h	0.30	0.40	0.50
θ	0°	-	8°
θ1	15°	17°	19°
θ2	11°	13°	15°
θ3	15°	17°	19°
θ4	11°	13°	15°

CONTACT US

Dioo is a professional design and sales corporation for high-quality and performance analog semiconductors. The company focuses on industry markets, such as, cell phone, handheld products, laptop, and medical equipments and so on. Dioo's product families include analog signal processing and amplifying, LED drivers and charger IC. Go to <http://www.dioo.com> for a complete list of Dioo product families.

For additional product information, or full datasheet, please contact with our Sales Department or Representatives.



X-ON Electronics

Largest Supplier of Electrical and Electronic Components

Click to view similar products for [Video ICs](#) category:

Click to view products by [Dioo](#) manufacturer:

Other Similar products are found below :

[CS4954-CQZ](#) [ADV7401BSTZ-110](#) [ADA4410-6ACPZ-R2](#) [ADV7179BCPZ](#)
[ADV7179BCPZ-REEL](#) [NJM2267M-TE2](#) [NJM2274R-TE1](#) [ADA4432-1WBCPZ-R7](#)
[ADA4432-1WBRJZ-R7](#) [PI3HDX511DZLEX](#) [MAX4895EETE+T](#) [DIO2561SC5](#)
[TPF141N-TR](#) [BT815Q-T](#) [PI3VST01UE](#) [PI3VST01UEX](#) [TPF1441C-VR](#) [MS1651](#)
[MS1631](#) [MS1681](#) [MS6364](#) [TPF133A-SR](#) [TPF1341-VR](#) [TPF140-TR](#) [TPF110U-TR](#)