

DIO2621H

Audio/Video Sub-system with Integrated 6dB CVBS Video Filter 3-Vrms Audio Line Driver

Features

- Line Output:able to drive 600Ω and 10kΩ
 - 3Vrms With 5V Supply Voltage
 - No Pop/Clicks Noise at the line output when PowerON/OFF
 - No Need for Output DC-Blocking Capacitors
 - Accepting Single terminal Input and differential Input
- SD Filter: One-ch 6th-order 11MHz SD filters
 - 6dB Output Driver Gain
 - Drive Dual Video Load
 - Transparent Input Clamping
 - AC or DC Coupled Inputs/Outputs
- Optimized Frequency Response between 20Hz–20kHz

Applications

- DVD Players
- Video Amplifiers
- Set-Top Boxes
- Personal Video Recorders
- Communications Devices

Descriptions

The DIO2621H is an integrated solution for Video driver and Audio driver, with two separated modules, the Audio Line Driver module and One Channel 6thorderSD Video filter driver module.

The Audio Line Driver allow for the removal of output AC-coupling capacitors. It is designed to optimize the audio driver circuit performance while reducing the BOM cost by eliminating the peripheral discrete components for noise reduction. It is able to offer 3Vrms output at 600Ω load with 5V supply.

The 6th-order SD Video filter driver provides improved image quality compared with passive LC filters and discrete driver solution, especially suited for standard definition video signals. It can be directly driven by a DC-coupled DAC output or an AC-coupled signal. Internal diode-like clamps and bias circuitry may be used if AC-coupled inputs are required. The output can also drive AC or DC coupled single (150Ω) or dual (75Ω) loads. The DC coupling capacitors can be removed.

Ordering Information

Order Part Number	Top Marking		T _A	Package	
DIO2621HCT20	DIO2621H	Green/RoHS	-40 to +85°C	TSSOP20	Tape & Reel, 2500



DIO2621H

Audio/Video Sub-system with Integrated 6dB CVBS Video Filter 3-Vrms Audio Line Driver

Pin Assignment

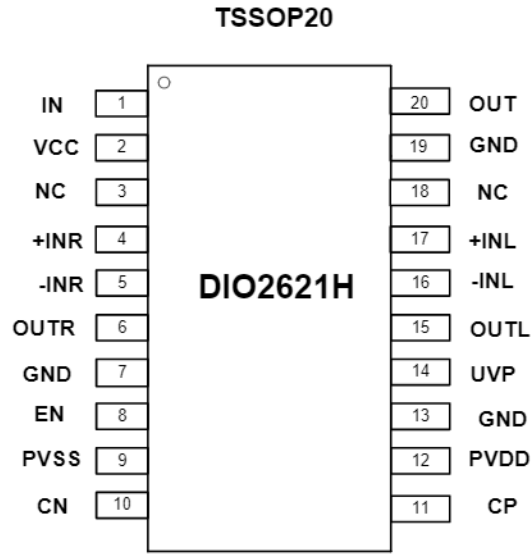


Figure 1 Pin Assignment

Pin Description

Pin Name	Description
IN	Video filter driver Input
VCC	Video filter driver and Class AB driver power supply
NC	No connect
+INR	Right channel Positive Input
-INR	Right channel Negative Input
OTR	Right channel Output
GND	Power ground
EN	Enable Audio driver
PVSS	Negative Supply Voltage
CN	Charge-pump flying capacitor negative terminal
CP	Charge-pump flying capacitor positive terminal
PVDD	Audio line driver positive supply
GND	Power ground
UVP	Under voltage protection input
OUTL	Left channel Output
-INL	Left channel Negative Input
+INL	Left channel Positive Input
NC	No connect
GND	Power ground
OUT	Video filter driver Output

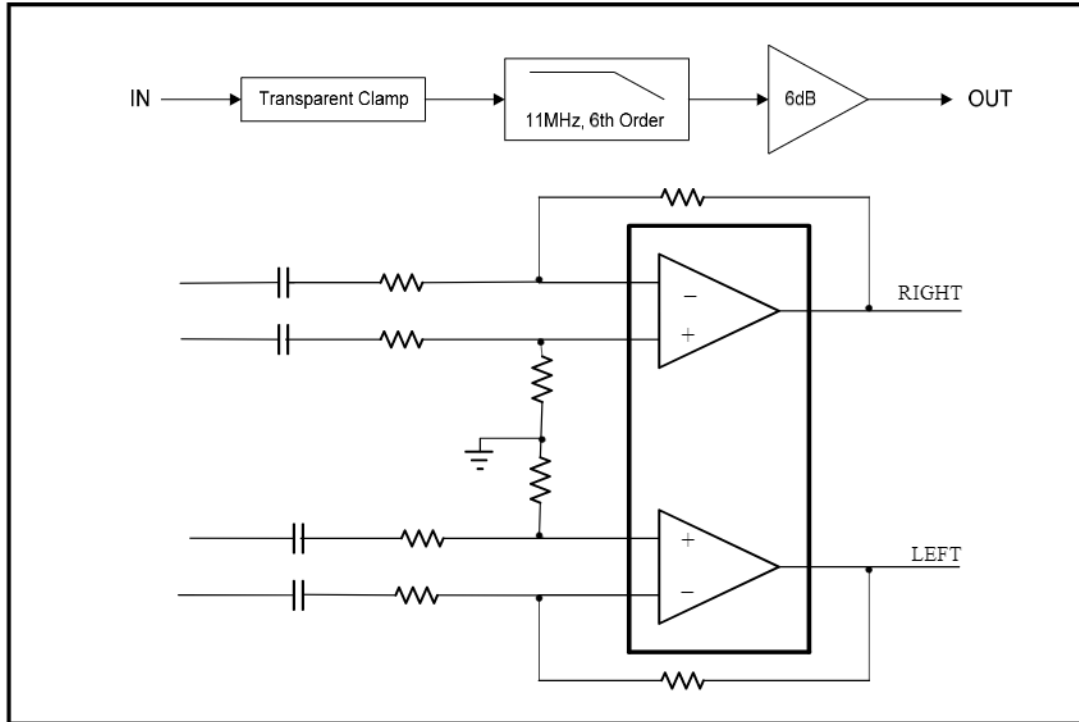
Note: VCC and PVDD must power up together.



DIO2621H

Audio/Video Sub-system with Integrated 6dB CVBS Video Filter 3-Vrms Audio Line Driver

Block Diagram



Absolute Maximum Ratings

Stresses beyond those listed under "Absolute Maximum Rating" may cause permanent damage to the device. These are stress ratings only and functional operation of the device at these or any other condition beyond those indicated in the operational sections of the specifications is not implied. Exposure to absolute maximum rating conditions for extended periods may affect device reliability.

Parameter		Rating	Unit
Supply Voltage/VCC		0 to 6.0	V
Supply Voltage/PVDD		-0.3 to 7.5	V
Input Voltage/VIN		-0.3 to $V_{CC}+0.3$	V
Input Voltage(+/-INR,+/-INL)		$V_{PVSS}-0.3$ to $V_{DD}+0.3$	V
Minimum load impedance	Audio Line driver	600	Ω
EN to GND		-0.3 to $V_{DD}+0.3$	V
Storage Temperature Range		-65 to 150	$^{\circ}\text{C}$
Junction Temperature		150	$^{\circ}\text{C}$
Lead Temperature Range		260	$^{\circ}\text{C}$
HBM ESD JEDEC: JESD22-A114	Output Pins	8	kV
	All Pins	5	



DIO2621H

Recommended Operating Conditions

The Recommended Operating Conditions table defines the conditions for actual device operation to ensure optimal performance to the datasheet specifications. DIOO does not recommend exceeding them or designing to Absolute Maximum Ratings.

Symbol	Parameter	Min.	Typ.	Max.	Unit
PVDD	Supply Voltage	3.135	5	5.5	V
VCC	Supply Voltage	3.135	5	5.5	V
V _{IH}	EN1 High level Input Voltage	1.2			V
V _{IL}	EN1 Low level Input Voltage			0.4	V
T _A	Operating Temperature Range	-40		85	°C

Notes: The items below were divided into two parts, the Audio Line driver module and the SD Video filter module.

Electrical Characteristics for the Audio Line Driver module

Typical value: T_A = 25°C, V_{DD}=5V, unless otherwise specified.

Symbol	Parameter	Conditions	Min.	Typ.	Max.	Unit
V _{OS}	Input Offset Voltage	V _{DD} =5V, Input grounded, Gain=100	-3	0	3	mV
PSRR	Power supply rejection ratio	V _{DD} =5V		90		dB
V _{OH}	High level output voltage	V _{DD} =5V, R _L =2.5kΩ	4.9			V
V _{OL}	Low level output voltage	V _{DD} =5V, R _L =2.5kΩ			-4.80	V
I _{IH}	EN1 High level input current	V _{DD} =5V, V _I =V _{DD}			1	μA
I _{IL}	EN1 Low level input current	V _{DD} =5V, V _I =0V			1	μA
I _{DD}	Supply current	V _{DD} =5V, V _I = V _{DD} , No load		12		mA
		Shutdown mode, V _{DD} = 5V			1	
V _O	Output Voltage	THD=1%, V _{DD} =5V, f=1kHz, R _L =100kΩ	3.1			V _{RMS}
THD+N	Total harmonic distortion + noise	V _O =3V _{RMS} , f=1kHz, R _L =10kΩ		0.001		%
X _{TALK}	Channel crosstalk	V _O =3V _{RMS} , f=1kHz		95		dB
I _O	Maximum output current	V _{DD} =5V		60		mA
SNR	Signal noise ratio	V _O =3V _{RMS} , BW=22kHz, A-weighted		112		dB
SR	Slew rate			12		V/μs
V _N	Noise output voltage	BW=20Hz to 22kHz		5.1		μV _{RMS}
G _{BW}	Unity gain bandwidth			7		MHz
A _{VO}	Open loop voltage gain			140		dB
V _{UVP}	External under-voltage detection		1.08	1.11	1.14	V
I _{Hys}	External under-voltage detection hysteresis current			5		μA

Audio/Video Sub-system with Integrated 6dB CVBS Video Filter 3-Vrms Audio Line Driver



DIO2621H

Electrical Characteristics for the SD Video Filter module

Typical value: $T_A = 25^\circ\text{C}$, $V_{CC}=5\text{V}$, $R_{SOURCE}=37.5\Omega$, $R_L=150\Omega$ loads; all inputs are AC couple with $0.1\mu\text{F}$; all outputs are AC coupled with $220\mu\text{F}$; unless otherwise specified.

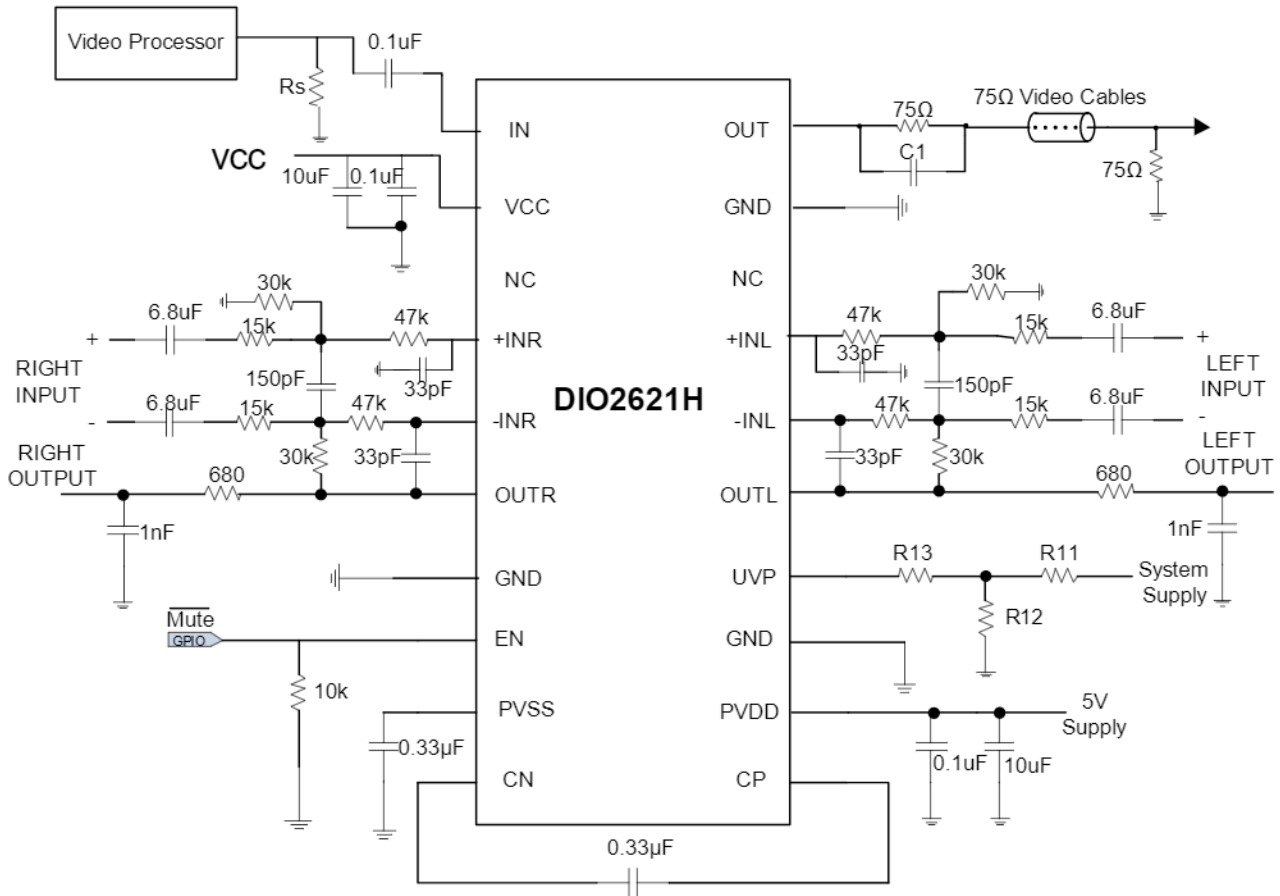
Symbol	Parameter	Conditions	Min.	Typ.	Max.	Unit
DC ELECTRICAL CHARACTERISTICS						
I_{CC}	Supply Current			8	12	mA
V_{IN}	Video Input Voltage Range		GND	1.4		V_{PP}
PSRR	Power Supply Rejection			50		dB
DYNAMIC PERFORMANCE						
AV	Channel Gain		5.8	6.0	6.2	dB
f_{1dB}	-1dB Bandwidth		8.0	10.5		MHz
f_{3dB}	-3dB Bandwidth		9	11.8		MHz
	Filter Response	$f=27\text{MHz}$		-40		dB
DG	Differential Gain			0.2		%
DP	Differential Phase			0.36		°
THD	Output Distortion	$f=1\text{MHz}$		0.38		%
SNR	Signal to Noise Ratio			70		dB
	Group Delay	$f=400\text{kHz}, 6.5\text{MHz}$		20		ns
CLG_SD	Chroma Luma Gain	$f=3.58\text{MHz}$ ref to SD in at 400kHz	95	100	105	%
CLD_SD	Chroma Luma Delay	$f=3.58\text{MHz}$ ref to SD in at 400kHz		5.5		ns

Notes: $\text{SNR}=20 \cdot \log(714\text{mV} / \text{rms noise})$.

Specifications subject to change without notice.

Audio/Video Sub-system with Integrated 6dB CVBS Video Filter 3-Vrms Audio Line Driver

Typical Application

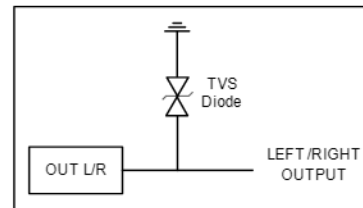


Notes:

1. In some applications, if the power supply noise needs to be filtered, the ferrite bead is recommended in a value of $600\Omega@100\text{MHz}$, instead of RC network. RC network normally will lower the power supply resulting in the degraded the audio performance. If the resistor is not chosen properly, which can trigger the internal UVP detection circuit and mute the output. As depicted below.



2. In order to protect the device against the power surge, transient voltage suppressor (TVS) devices are recommended at the output pins OUTL/OUTR.



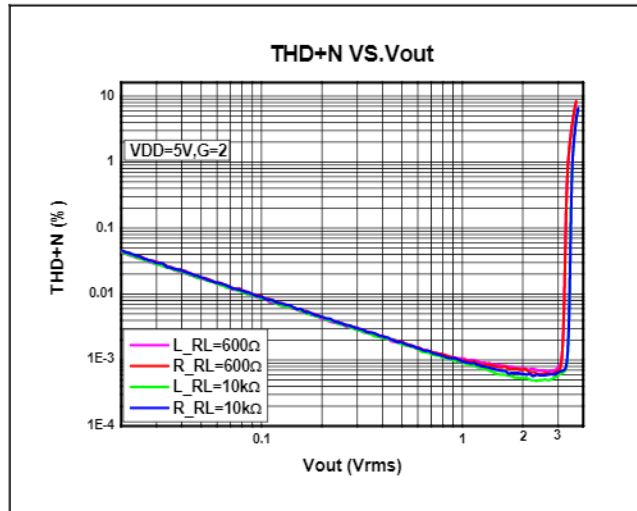


DIO2621H

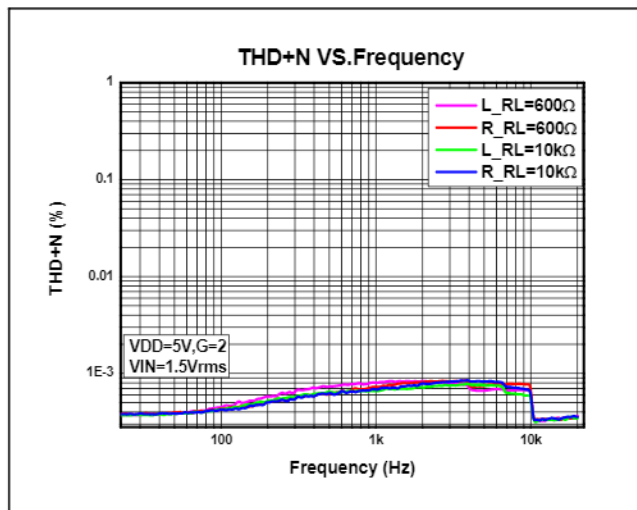
Typical Performance Characteristics

At $T_A = +25^\circ\text{C}$, $C_{PUMP}=0.33\mu\text{F}$, $C_{PVSS}=0.33\mu\text{F}$, unless otherwise noted.

THD+N vs. OUTL/OUTR



THD+N vs. Frequency



Audio/Video Sub-system with Integrated 6dB CVBS Video Filter 3-Vrms Audio Line Driver

Application Notes

Gain-Setting Resistors Ranges and Input-Blocking Capacitors

The gain-setting resistors, R_{IN} and R_{FB} , must be chosen so that noise, stability, and input capacitor size of the Audio line driver are kept within acceptable limits. Voltage gain is defined as R_{FB} divided by R_{IN} .

Table 1 lists the recommended resistor value for different gain settings. Selecting values that are too low demands a large input ac-coupling capacitor C_{IN} . Selecting values that are too high increases the noise of the amplifier.

The gain-setting resistor must be placed close to the input pins to minimize capacitive loading on these input pins and to ensure maximum stability.

Table 1 Resistor Values Recommended

Input Res./ R_{IN}	Feedback Res./ R_{fb}	Differential Gain	Inverting Gain	Non-inverting Gain
22 k Ω	22 k Ω	1 V/V	-1 V/V	2 V/V
15 k Ω	30 k Ω	2 V/V	-2 V/V	3 V/V
10 k Ω	100 k Ω	10 V/V	-10 V/V	11 V/V

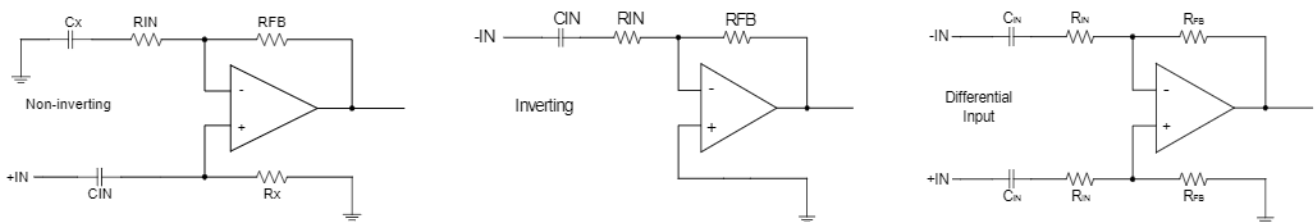


Figure 2 Differential, Inverting and Non-inverting Gain Configurations

DC input-blocking capacitors are required to be added in series with the audio signal into the input pins of the Audio line driver. These capacitors block the dc portion of the audio source and allow the Audio line driver inputs to be properly biased to provide maximum performance.

These capacitors form a high-pass filter with the input resistor, R_{IN} . The cutoff frequency is calculated using the equation below. For this calculation, the capacitance used is the input-blocking capacitor, and the resistance is the input resistor chosen from Table 1; then the frequency and/or capacitance can be determined when one of the two values is given.

2nd Order Filter Typical Application

Several audio DACs used today require an external low-pass filter to remove out-of-band noise. This is possible with the Audio Line Driver, as it can be used like a standard OPAMP. Several filter topologies can be implemented, both single-ended and differential. In Figure 3, a multi-feedback (MFB) with differential input and single-ended input is shown.

An ac-coupling capacitor to remove dc content from the source is shown; it serves to block any dc content from the source and lowers the dc-gain to 1, helping reducing the output dc-offset to minimum. The resistor values should have a low value for obtaining low noise, but should also have a high enough value to get a small size ac-coupling capacitor.

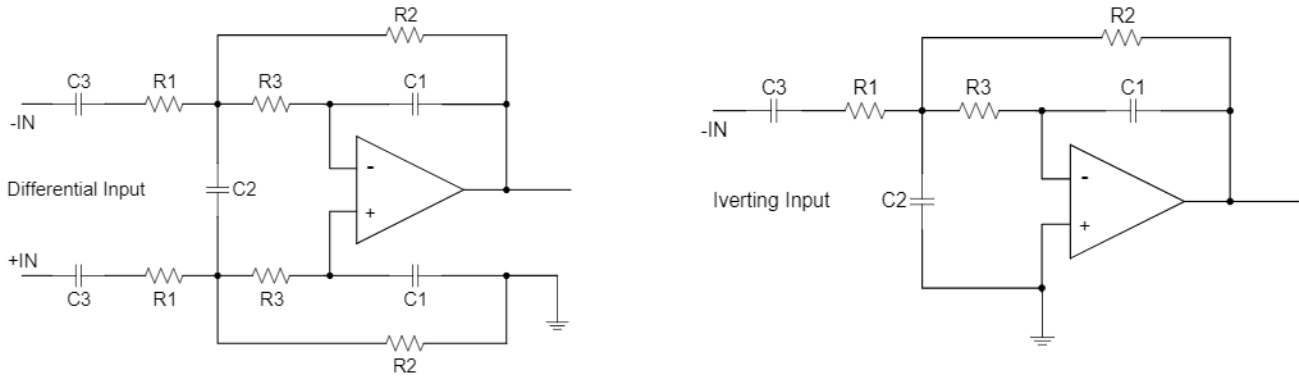


Figure 3 Second-Order Active Low-Pass Filter

Charge Pump Flying Capacitor and PVSS Capacitor

The charge pump flying capacitor serves to transfer charge during the generation of the negative supply voltage. The PVSS capacitor must be at least equal to the charge pump capacitor in order to allow maximum charge transfer. Low ESR X5 or X7 capacitors are recommended selection, and a value of $0.33\mu\text{F}$ is typical. Capacitor values that are smaller than $0.33\mu\text{F}$ can be used, but the maximum output voltage may be reduced and the device may not operate to specifications.

Decoupling Capacitors

The Audio line driver requires adequate power supply decoupling to ensure that the noise and total harmonic distortion (THD) are low. A good low equivalent-series-resistance (ESR) ceramic capacitor, typically a combine of paralleled $0.1\mu\text{F}$ and $10\mu\text{F}$, placed as close as possible to the device VDD lead works best. Placing this decoupling capacitor close to the Audio line driver is important for the performance of the amplifier. For filtering lower-frequency noise signals, a $10\mu\text{F}$ or greater capacitor placed near the audio power amplifier would also help, but it is not required in most applications because of the high PSRR of this device.

Pop-Free Power-Up

Pop-free power up is ensured by keeping the EN1 (enable pin) low during power-supply ramp up and ramp down. The EN1 pin should be kept low until the input ac-coupling capacitors are fully charged before asserting the EN1 pin high to achieve pop-less power up. Figure 4 illustrates the preferred sequence.

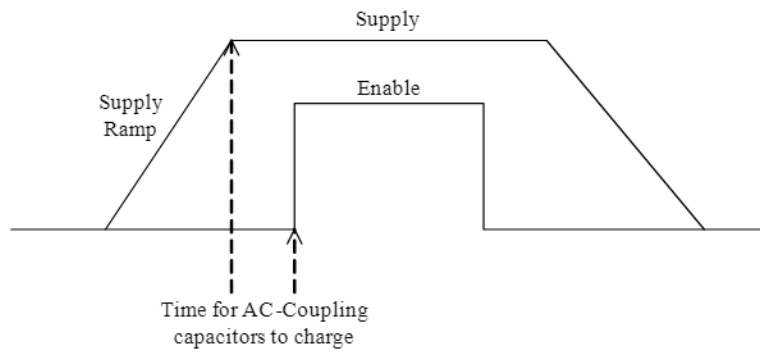


Figure 4 Power-Up Sequences

External Under-voltage Detection

External under-voltage detection can be used to mute/shut down the DIO2621H before an input device can generate a pop. Although the shutdown voltage is 1.11V typically, customers need to consider the accuracy of system passive components such as resistors and associated temperature variation. Users often select a resistor divider to obtain the power-on and shutdown threshold for the specific application. The typical thresholds can be calculated as follows, respectively for VSUP_MO at 5V and 12V. Usually for best power down noise performance, 12V supply is recommended for UVP circuitry as below. Typically this 12V is the power supply which generates the 5V supply for DIO2621H PVDD pins.

Case 1: VSUP_MO= 12V (Recommended)

$$V_{UVP} = (1.11V - 6\mu A \cdot R_{13}) \cdot (R_{11} + R_{12}) / R_{12};$$

$$V_{hysteresis} = 5\mu A \cdot R_{13} \cdot (R_{11} + R_{12}) / R_{12};$$

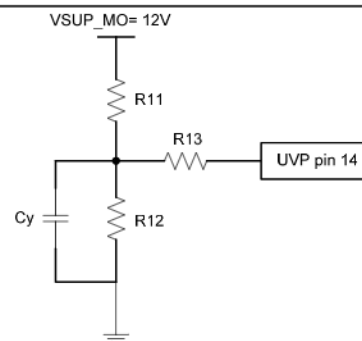
With the condition $R_{13} \gg R_{11} // R_{12}$.

For example, if $R_{11} = 11k$, $R_{12} = 1.4k$ and $R_{13} = 47k$,

Then $V_{UVP} = 7.334V$; $V_{hysteresis} = 2.081V$

Here, V_{UVP} is the shutdown threshold.

In this case, the voltage at UVP pin 14 is greater than 1.311V under worst case of VSUP_MO ripples.



Case 2: VSUP_MO= 5.0V

$$V_{UVP} = (1.11V - 6\mu A \cdot R_{13}) \cdot (R_{11} + R_{12}) / R_{12};$$

$$V_{hysteresis} = 5\mu A \cdot R_{13} \cdot (R_{11} + R_{12}) / R_{12};$$

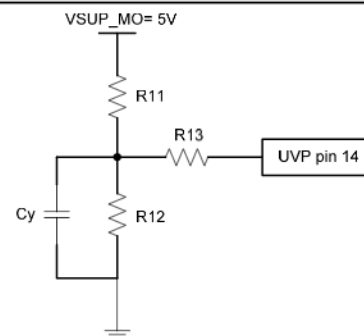
With the condition $R_{13} \gg R_{11} // R_{12}$.

For example, if $R_{11} = 5.6k$, $R_{12} = 2.2k$ and $R_{13} = 47k$,

Then $V_{UVP} = 2.936V$; $V_{hysteresis} = 0.833V$

Here, V_{UVP} is the shutdown threshold.

In this case, the voltage at UVP pin 14 is greater than 1.368V under worst case of VSUP_MO ripples.





DIO2621H

To minimize the system power-up and power-down threshold variations, resistors with less than 1% variations are recommended. Although some resistor value options are offered above for customer's reference or starting points, customers should always verify those resistor options in their actual design. Customer can adjust their own design to achieving the best performance between pop noise and power-on threshold by adjusting the passive resistors R11, R12 and R13.

Capacitive Load

The Audio line driver has the ability to drive a high capacitive load up to 220 pF directly. Higher capacitive loads can be accepted by adding a series resistor of 47 Ω or larger.

Audio/Video Sub-system with Integrated 6dB CVBS Video Filter 3-Vrms Audio Line Driver



DIO2621H

Audio/Video Sub-system with Integrated 6dB CVBS Video Filter 3-Vrms Audio Line Driver

CONTACT US

Dioo is a professional design and sales corporation for high-quality and performance analog semiconductors. The company focuses on industry markets, such as, cell phone, handheld products, laptop, and medical equipment and so on. Dioo's product families include analog signal processing and amplifying, LED drivers and charger IC. Go to <http://www.dioo.com> for a complete list of Dioo product families.

For additional product information, or full datasheet, please contact with our Sales Department or Representatives.

X-ON Electronics

Largest Supplier of Electrical and Electronic Components

Click to view similar products for [Video ICs category](#):

Click to view products by [Dioo manufacturer](#):

Other Similar products are found below :

[ADV7343WBSTZ](#) [TW2964-LA2-CR](#) [TW9903-FB](#) [TW9919-PE1-GR](#) [TW9960-TA1-GR](#) [LA9520V-TLM-E](#) [TW9910-NA2-GR](#) [TW9900-TA1-GR](#) [ADV7625KBCZ-8](#) [ADV7626KBCZ-8](#) [MAX9406ETM+T](#) [PI3HDX414FCEEX](#) [PI3HDX511FZLEX](#) [M31245G-15](#)
[PI3HDX511DZLEX](#) [MAX4895EETE+T](#) [M23428G-33](#) [PI7VD9008ABHFDE](#) [TW2984-NA2-CR](#) [ADV7186BBCZ-RL](#) [ADV7186BBCZ-TL](#)
[PI3HDMI521FBE](#) [ADV7186BBCZ-T-RL](#) [ADV8003KBCZ-7C](#) [LT6554IGN#PBF](#) [M21324G-13](#) [GS12181-INE3](#) [PI3VDP411LSAZBEX](#)
[PI3VDP411LSTZBEX](#) [M23145G-14](#) [PI3VDP411LSRZBEX](#) [PI3HDX511EZLSEX](#) [TW2835-BA1-GR](#) [ISL59913IRZ](#) [TW9910-NB2-GR](#)
[CM5100-01CP](#) [ADV7610BBCZ-RL](#) [BA7653AFV-E2](#) [BA7654F-E2](#) [BA7657F-E2](#) [BH76331FVM-TR](#) [BH76332FVM-TR](#) [BH76363FV-E2](#)
[TVP5160PNP](#) [MAX9597CTI+](#) [BA7602F-E2](#) [BA7606FS-E2](#) [BA7612F-E2](#) [BA7626F-E2](#) [BA7653AF-E2](#)