

DIO2663

Three-Channel, 35MHz, 6th-Order High Definition Video Filter Driver

Features

- Triple 6th-order 35MHz HD filters
- 6dB Output Driver Gain and Drive Dual Video Load
- Transparent Input Clamping
- AC or DC Coupled Inputs
- AC or DC Coupled Outputs
- Operates from 3.135V to 5.25V
- Single Power Supply
- 40mA Typical Supply Current
- RoHS or Green SOIC-8 Package
- 8kV ESD protection

Applications

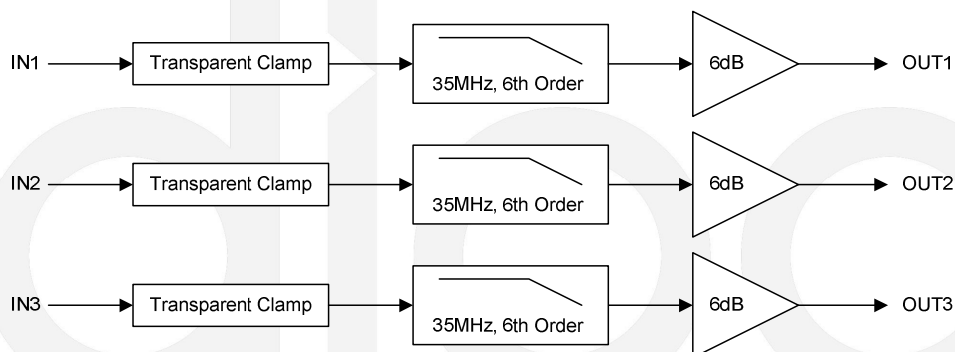
- DVD Players
- Video Amplifiers
- Cable set-top boxes
- Personal Video Recorders
- Communications Devices
- Video on Demand

Descriptions

DIO2663 is a low voltage, triple video amplifier with integrated 6dB reconstruction filter and input clamps. All three channels can accept Component and RGB video signals. It provides improved image quality compared to the passive LC filters.

DIO2663 can be directly driven by a DC-coupled or an AC-coupled signal. Internal diode-like clamps and bias circuitry may be used if AC-coupled inputs are required. The output in DIO2663 can also drive AC or DC coupled single (150Ω) or dual (75Ω) loads. The DC coupling capacitors can be removed.

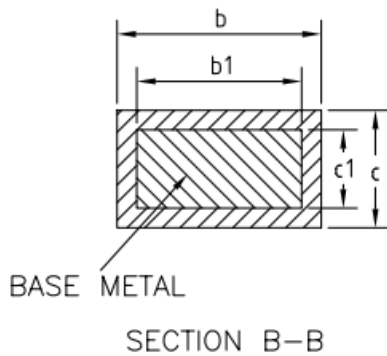
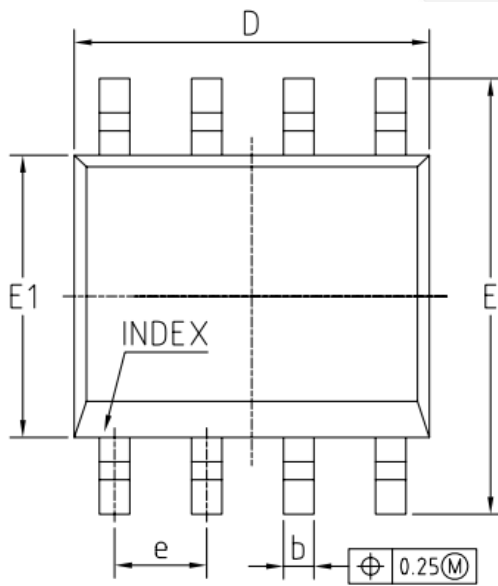
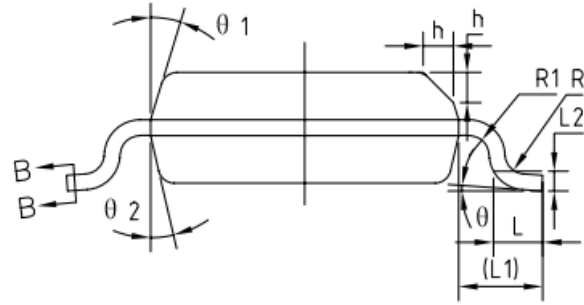
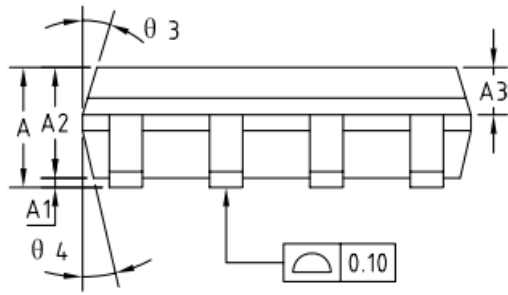
Block Diagram



Ordering Information

Order Part Number	Top Marking		T _A	Package	
DIO2663CS8	DIO2663	Green	-40 to +85°C	SOIC-8	Tape & Reel, 2500

Physical Dimensions: SOIC-8



COMMON DIMENSIONS (UNITS OF MEASURE=MILLIMETER)			
Symbol	MIN	NOM	MAX
A	1.35	1.55	1.75
A1	0.10	0.15	0.25
A2	1.25	1.40	1.65
A3	0.50	0.60	0.70
b	0.38	-	0.51
b1	0.37	0.42	0.47
c	0.17	-	0.25
c1	0.17	0.20	0.23
D	4.80	4.90	5.00
E	5.80	6.00	6.20
E1	3.80	3.90	4.00
e	1.27BSC		
L	0.45	0.60	0.80
L1	1.04REF		
L2	0.25BSC		
R	0.07	-	-
R1	0.07	-	-
h	0.30	0.40	0.50
θ	0°	-	8°
θ1	15°	17°	19°
θ2	11°	13°	15°
θ3	15°	17°	19°
θ4	11°	13°	15°

CONTACT US

Dioo is a professional design and sales corporation for high-quality and performance analog semiconductors. The company focuses on industry markets, such as, cell phone, handheld products, laptop, and medical equipments and so on. Dioo's product families include analog signal processing and amplifying, LED drivers and charger IC. Go to <http://www.dioo.com> for a complete list of Dioo product families.

For additional product information, or full datasheet, please contact with our Sales Department or Representatives.



X-ON Electronics

Largest Supplier of Electrical and Electronic Components

Click to view similar products for [Video Amplifiers](#) category:

Click to view products by [Dioo](#) manufacturer:

Other Similar products are found below :

[DIO2764CT14](#) [LT1193CN8](#) [NJW1351RB1-TE1](#) [TSH345IDT](#) [MAX452ESA+](#)
[TAT8858A1H](#) [CGB7011-SC-0G00](#) [MAX9583AZT+T](#) [MAX4310EUA+](#) [MAX4312ESE+](#)
[NJM592D8](#) [LT6552IDD#PBF](#) [LT1193CS8#PBF](#) [LT1193CS8#TRPBF](#) [LT1252CN8#PBF](#)
[LT1253CS8#PBF](#) [HFA1135IBZ](#) [LT6552CS8#PBF](#) [LT6559CUD#PBF](#) [LT1256CN#PBF](#)
[LT1194CS8#PBF](#) [LT1252CS8#PBF](#) [AD8372ACPZ-R7](#) [LT1193CN8#PBF](#)
[LT6553CGN#PBF](#) [LT1675CGN#PBF](#) [LT6552IS8#PBF](#) [MAX454CPD+](#)
[AD8145WYCPZ-R7](#) [LT1254CS#PBF](#) [ISL59110IEZ-T7](#) [MAX453CSA+](#) [LT1256CS#PBF](#)
[LT6550IMS#PBF](#) [ISL4089IBZ-T7](#) [LT1251CS#PBF](#) [LT6551CMS#PBF](#) [MAX453CPA+](#)
[NJM2561F1-TE1](#) [ADA4856-3YCPZ-R7](#) [LT6550CMS#PBF](#) [LT6553IGN#PBF](#)
[LT1254CN#PBF](#) [LT6557IGN#PBF](#) [LT1253CN8#PBF](#) [LT1675CMS8-1#PBF](#)
[HMC3587LP3BETR](#) [HMC453QS16GETR](#) [NJM2267D](#) [LM324AM](#)