



DIO2664

Four-Channel, 6th-Order SD and 1080i HD Video Filter Driver

Features

- One CVBS channel with 6th-order, 9MHz filter
- Three channels with per channel a 6th-order, 37MHz filter
- Transparent Input Clamping
- Fixed 6dB Gain
- AC or DC Coupled Inputs
- AC or DC Coupled Outputs
- Operates from 3.135V to 5.25V
- Single Power Supply
- RoHS or Green TSSOP-14 Package
- 8kV ESD protection

Descriptions

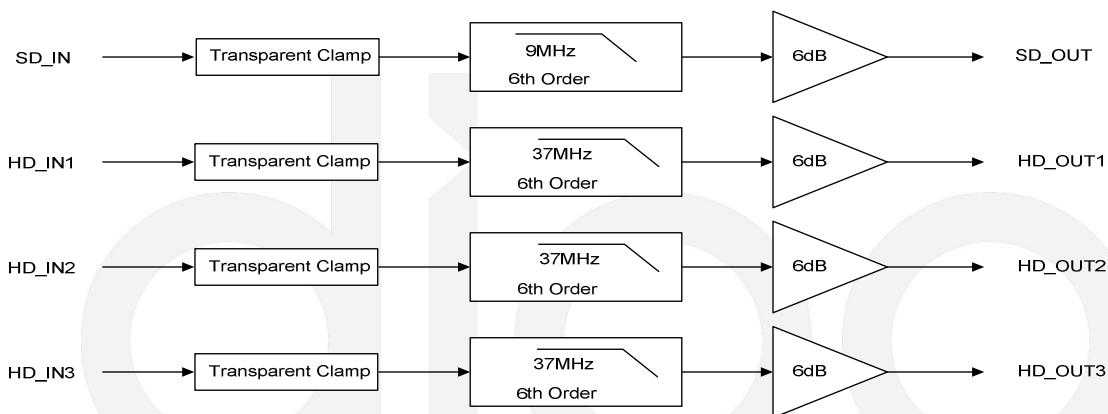
DIO2664 is a low voltage, four channels video amplifier with integrated 6dB reconstruction filter and input clamps. In fact, DIO2664 integrates a single CVBS (SD) video driver plus a triple 1080i HD video driver. DIO2664 can improve image quality compared to the passive LC filters.

All channels can be directly driven by a DC-coupled or an AC-coupled signal. Internal diode-like clamps and bias circuitry may be used if AC-coupled inputs are required. The output in DIO2664 can also drive AC or DC coupled single (150Ω) or dual (75Ω) loads. The DC coupling capacitors can be removed.

Applications

- DVD Players
- Video Amplifiers
- Cable set-top boxes
- Personal Video Recorders
- Communications Devices
- Video on Demand

Block Diagram



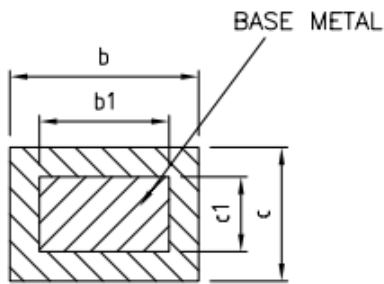
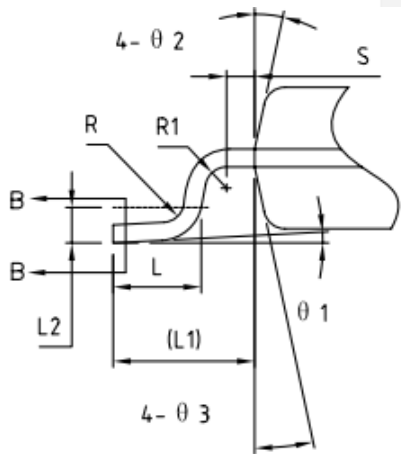
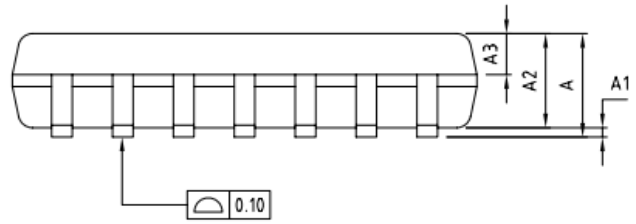
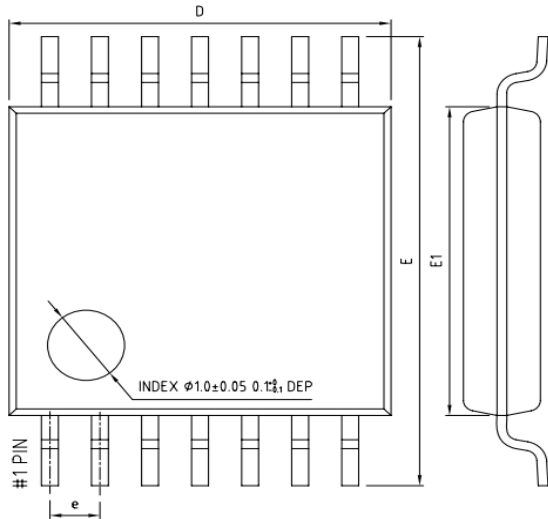
Ordering Information

Order Part Number	Top Marking		T _A	Package	
DIO2664CT14	DIO2664	RoHS or Green	-40 to +85°C	TSSOP-14	Tape & Reel, 2500

DIO2664

Three-Channel, 6th-Order SD and 1080i HD Video Filter Driver

Physical Dimensions: TSSOP-14



SECTION B-B

COMMON DIMENSIONS
(UNITS OF MEASURE=MILLIMETER)

Symbol	MIN	NOM	MAX
A	-	-	1.2
A1	0.05	-	0.15
A2	0.90	1.00	1.05
A3	0.34	0.44	0.54
b	0.20	-	0.28
b1	0.20	0.22	0.24
c	0.10	-	0.19
c1	0.10	0.13	0.15
D	4.86	4.96	5.06
E	6.20	6.40	6.60
E1	4.30	4.40	4.50
e	0.65BSC		
L	0.45	0.60	0.75
L1	1.00REF		
L2	0.25BSC		
R	0.09	-	-
R1	0.09	-	-
S	0.20	-	-
θ1	0°	-	8°
θ2	10°	12°	14°
θ3	10°	12°	14°

CONTACT US

Dioo is a professional design and sales corporation for high-quality and performance analog semiconductors. The company focuses on industry markets, such as, cell phone, handheld products, laptop, and medical equipments and so on. Dioo's product families include analog signal processing and amplifying, LED drivers and charger IC. Go to <http://www.dioo.com> for a complete list of Dioo product families.

For additional product information, or full datasheet, please contact with our Sales Department or Representatives.



X-ON Electronics

Largest Supplier of Electrical and Electronic Components

Click to view similar products for [Video Amplifiers](#) category:

Click to view products by [Dioo](#) manufacturer:

Other Similar products are found below :

[DIO2764CT14](#) [LT1193CN8](#) [NJW1351RB1-TE1](#) [TSH345IDT](#) [MAX452ESA+](#)
[TAT8858A1H](#) [CGB7011-SC-0G00](#) [MAX9583AZT+T](#) [MAX4310EUA+](#) [MAX4312ESE+](#)
[NJM592D8](#) [LT6552IDD#PBF](#) [LT1193CS8#PBF](#) [LT1193CS8#TRPBF](#) [LT1252CN8#PBF](#)
[LT1253CS8#PBF](#) [HFA1135IBZ](#) [LT6552CS8#PBF](#) [LT6559CUD#PBF](#) [LT1256CN#PBF](#)
[LT1194CS8#PBF](#) [LT1252CS8#PBF](#) [AD8372ACPZ-R7](#) [LT1193CN8#PBF](#)
[LT6553CGN#PBF](#) [LT1675CGN#PBF](#) [LT6552IS8#PBF](#) [MAX454CPD+](#)
[AD8145WYCPZ-R7](#) [LT1254CS#PBF](#) [ISL59110IEZ-T7](#) [MAX453CSA+](#) [LT1256CS#PBF](#)
[LT6550IMS#PBF](#) [ISL4089IBZ-T7](#) [LT1251CS#PBF](#) [LT6551CMS#PBF](#) [MAX453CPA+](#)
[NJM2561F1-TE1](#) [ADA4856-3YCPZ-R7](#) [LT6550CMS#PBF](#) [LT6553IGN#PBF](#)
[LT1254CN#PBF](#) [LT6557IGN#PBF](#) [LT1253CN8#PBF](#) [LT1675CMS8-1#PBF](#)
[HMC3587LP3BETR](#) [HMC453QS16GETR](#) [NJM2267D](#) [LM324AM](#)