

# DIO32220

## Low-Power, USB2.0 High-Speed Switch

### Features

- Super high bandwidth (-3dB): > 2.0GHz
- V<sub>CC</sub> operation at 2.7V to 5.5V
- Low Con: 3pF Typical
- Low Ron: 6Ω Typical
- Low Power Consumption: 1μA Maximum
- Low I<sub>CC</sub>T : 8μA Max @V<sub>IN</sub>=1.8V, V<sub>CC</sub>=3.6V
- Packaged in Green MSOP-10, DQFN-10 and QFN-10
- 6kV HBM ESD on all pins
- Power-Off/On Protection on Common ports  
D+/D- Pins Tolerate up to 5.5V

### Descriptions

The DIO32220 is a low power, dual SPDT2-port high-speed analog switch. It handles bi-directional signal flow optimized for switching a hi-speed (480Mbps) source or a full-speed (12Mbps) source.

DIO32220 has high channel-to-channel noise isolation and low bit-to-bit skew which allows it to pass high-speed differential signals with good signal integrity. Each switch offers little or no attenuation of the high-speed signals at the outputs.

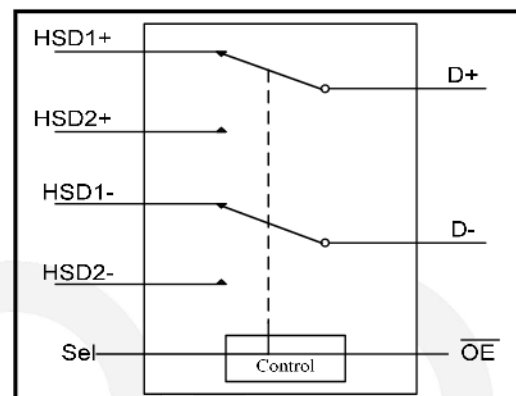
The DIO32220 contains special circuitry on the D+/D- pins, which can tolerate up to 5.5V when the USB devices either powered off or powered on.

DIO32220 is available in three type Green packages: DQFN-10, QFN-10, and MSOP-10 package.

### Applications

- Cell-Phone/PDA
- MP3/MP4/PMP
- STB/LCDTV

### Block Diagram



### Ordering Information

Order Part Number	Top Marking		T <sub>A</sub>	Package	
DIO32220MP10	DIO3222	Green	-40 to 85°C	MSOP-10	Tape & Reel, 3000
DIO32220LP10	YW2A	Green	-40 to 85°C	DQFN-10	Tape & Reel, 3000
DIO32220QN10	YW2A	Green	-40 to 85°C	QFN-10	Tape & Reel, 3000

## Pin Assignment

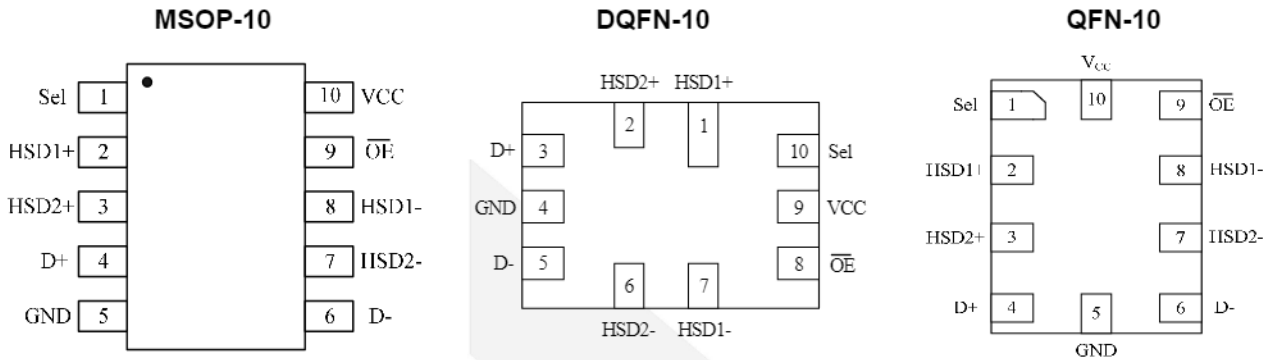


Figure 1. Top View

## Pin Descriptions

Pin Name	Description
/OE	Switch Enable
Sel	Switch Select
D+, D-	USB Data Bus
HSDn+, HSDn-	Multiplexed Source inputs

## Truth Table

Sel	/OE	Function
X	H	Disconnect
L	L	D+, D- = HSD1+, HSD1-
H	L	D+, D- = HSD2+, HSD2-



# DIO32220

Low-Power, USB2.0 High-Speed Switch

## Absolute Maximum Ratings

Stresses beyond those listed under "Absolute Maximum Rating" may cause permanent damage to the device. These are stress ratings only and functional operation of the device at these or any other condition beyond those indicated in the operational sections of the specifications is not implied. Exposure to absolute maximum rating conditions for extended periods may affect device reliability.

Symbol	Parameter	Min.	Max.	Unit
$V_{CC}$	Supply Voltage	-0.3	6.0	V
$V_{CNTRL}$	DC input Voltage(S, /OE)	-0.3	$V_{CC}$	V
$V_{SW}$	DC input I/O Voltage	-0.3	$V_{CC} + 0.3$	V
	DC input I/O Voltage (D+/D-)	-0.3	6.0	V
$I_{IK}$	DC input Diode current	-50		mA
$I_{OUT}$	DC output current		50	mA
$T_{STG}$	Storage Temperature	-65	150	°C
ESD	HBM, JEDEC: JESD22-A114 All Pins	6		kV

## Recommend Operating Conditions

The Recommended Operating Conditions table defines the conditions for actual device operation. Recommended Operating conditions are specified to ensure optimal performance to the datasheet specifications. DIOO does not Recommend exceeding them or designing to Absolute Maximum Ratings.

Symbol	Parameter	Min.	Max.	Unit
$V_{CC}$	Supply voltage	2.7	5.5	V
$V_{CNTRL}$	Control input voltage(S,/OE)	0	$V_{CC}$	V
$V_{SW}$	Switch I/O voltage (HSD1±, HSD2±)	0	$V_{CC}$	V
	Switch I/O voltage (D+, D-)	0	5.5	V
$T_A$	Operating Temperature	-40	85	°C



# DIO32220

Low-Power, USB2.0 High-Speed Switch

## DC Electrical Characteristics

All typical value are at  $T_A = 25^\circ\text{C}$  unless otherwise specified.

Symbol	Parameter	Conditions	Vcc(V)	Min.	Typ.	Max.	Unit
$V_{IH}$	Input voltage high		3.0 to 3.6	1.2			V
$V_{IL}$	Input voltage low		3.0 to 3.6			0.6	V
$I_{IN}$	Control input leakage	$V_{SW} = 0$ to $V_{CC}$	3.6	-1		1	$\mu\text{A}$
$I_{OZ}$	Off state leakage	$0 \leq D_n, \text{HSD1n}, \text{HSD2n} \leq 3.6\text{V}$	3.6	-2		2	$\mu\text{A}$
$I_{OFF}$	Power-Off leakage current (All common ports)	$V_{SW} = 0\text{V}$ to $3.6\text{V}$ , $V_{CC} = 0\text{V}$ , See Figure 4	0	-2		2	$\mu\text{A}$
$R_{ON}$	HS switch on Resistance	$V_{SW} = 0.4\text{V}$ , $I_{ON} = 8\text{mA}$ , See Figure 3	3.0		6	8	$\Omega$
$\Delta R_{ON}$	HS Delta $R_{ON}$	$V_{SW} = 0.4\text{V}$ , $I_{ON} = 8\text{mA}$	3.0		0.08		$\Omega$
$I_{CC}$	Quiescent supply current	$V_{CNTRL} = 0$ or $V_{CC}$ ,	3.6			1	$\mu\text{A}$
$I_{CCT}$	Increase in $I_{CC}$ current per control voltage and $V_{CC}$	$V_{CNTRL} = 2.6\text{V}$ , $V_{CC} = 3.6\text{V}$	3.6			2	$\mu\text{A}$
		$V_{CNTRL} = 1.8\text{V}$ , $V_{CC} = 3.6\text{V}$	3.6			8	$\mu\text{A}$





# DIO32220

Low-Power, USB2.0 High-Speed Switch

## AC Electrical Characteristics

All typical value are for  $V_{CC} = 3.3V$  at  $25^{\circ}C$  unless otherwise specified.

Symbol	Parameter	Conditions	Vcc(V)	Temp	Min.	Typ.	Max.	Unit
				( $^{\circ}C$ )				
$t_{ON}$	Turn-On time S, /OE to output	$R_L=50\Omega$ , $C_L=5pF$ , $V_{SW} = 0.8V$ , See Figure 10	3.0 to 3.6	full		10	20	ns
$t_{OFF}$	Turn-Off time S, /OE to output	$R_L=50\Omega$ , $C_L=5pF$ , $V_{SW} = 0.8V$ , See Figure 10	3.0 to 3.6	full		5	10	ns
$t_{PD}$	Propagation delay	$R_L=50\Omega$ , $C_L=5pF$	3.3	$25^{\circ}C$		0.25		ns
				full			5.0	ns
$t_{BBM}$	Break-Before-Make	$R_L=50\Omega$ , $C_L=5pF$ , $V_{SW}=0.8V$ , See Figure 9	3.0 to 3.6	$25^{\circ}C$		12		ns
				full	10		28	ns
OIRR	Off Isolation	$R_L=50\Omega$ , $f=240MHz$ See Figure 8	3.0 to 3.6	$25^{\circ}C$		-37		dB
Xtalk	Non-Adjacent Channel Crosstalk	$R_L=50\Omega$ , $f=240MHz$ See Figure 7	3.0 to 3.6	$25^{\circ}C$		-45		dB
BW	-3dB bandwidth	$R_L=50\Omega$ , $C_L=0pF$ , See Figure 6	3.0 to 3.6	$25^{\circ}C$		2000		MHz
				$25^{\circ}C$		720		MHz
$t_{SK(P)}$	Skew of Opposite Transitions of the same output	$R_L=50\Omega$ , $C_L=5pF$	3.0 to 3.6	$25^{\circ}C$		20		ps

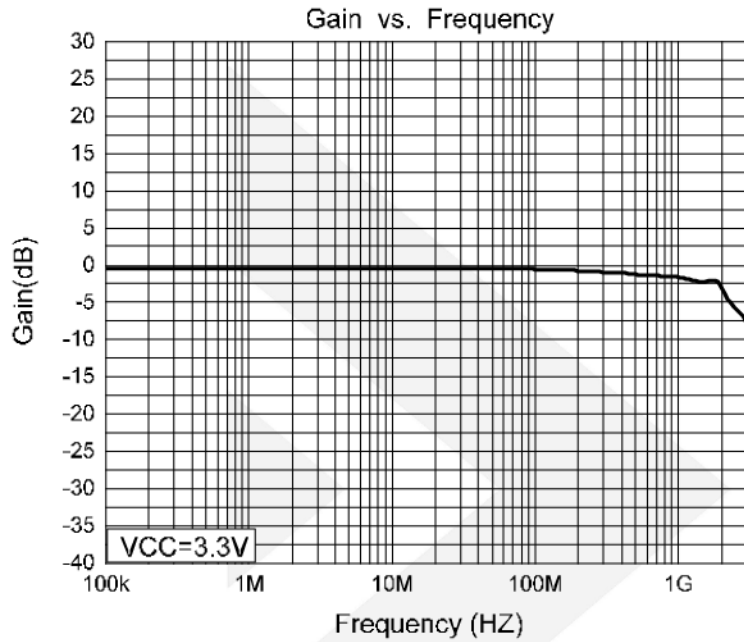
## Capacitance

Symbol	Parameter	Conditions	Temp	Min.	Typ.	Max.	Unit
			( $^{\circ}C$ )				
$C_{IN}$	Control Pin input Capacitance	$V_{CC}=0V$	$25^{\circ}C$		1.2		pF
$C_{ON}$	D+/D- on Capacitance	$V_{CC}=3.3V$ , /OE=0V, $f=240MHz$ , See Figure 5	$25^{\circ}C$		3		
$C_{OFF}$	HSD1n, HSD2n off capacitance	$V_{CC}$ and /OE=3.3V, See Figure 5	$25^{\circ}C$		2		

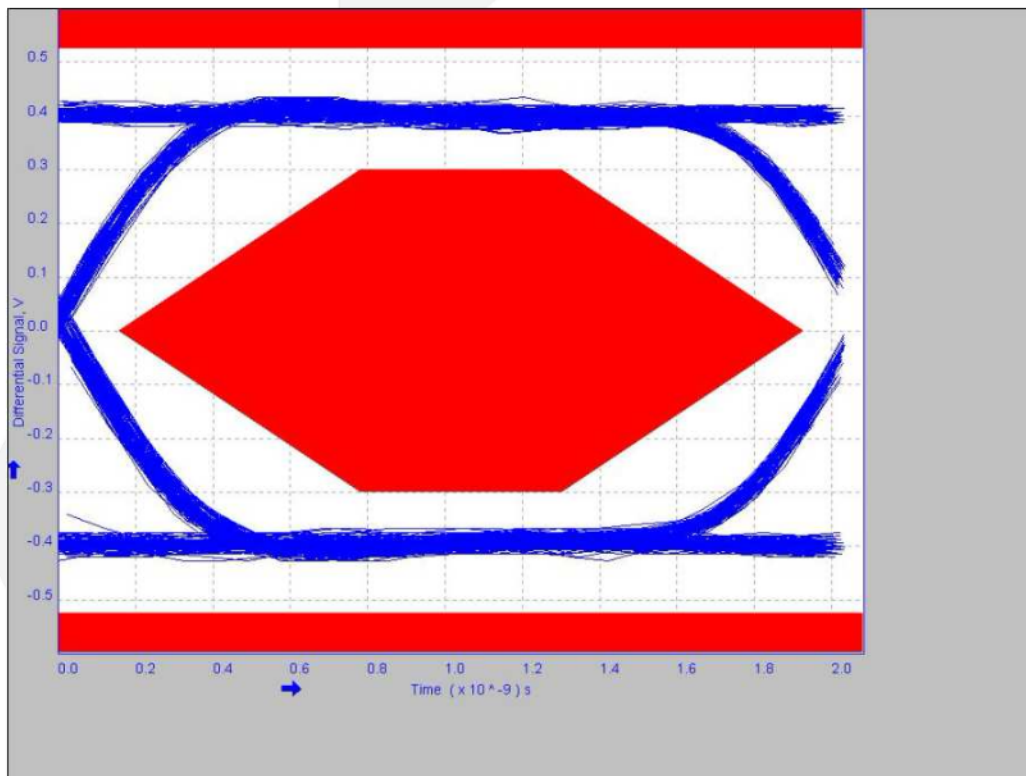
Specifications subject to change without notice.

## Typical Performance Characteristics

T<sub>A</sub>= 25°C, V<sub>CC</sub>= 3.3V, unless otherwise specified.



## DIO32220 USB 2.0 high speed (480Mbps) eye pattern



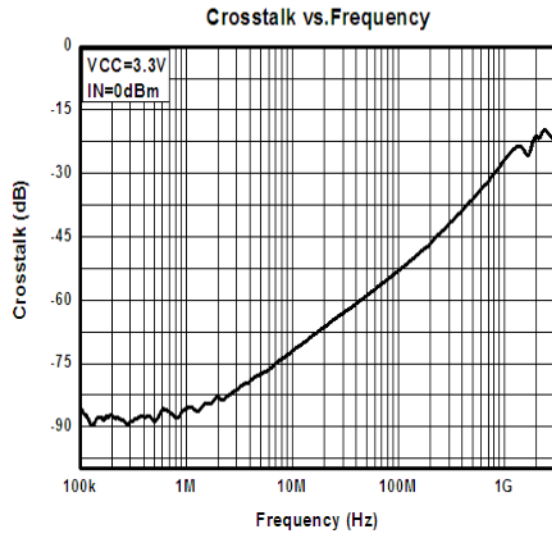
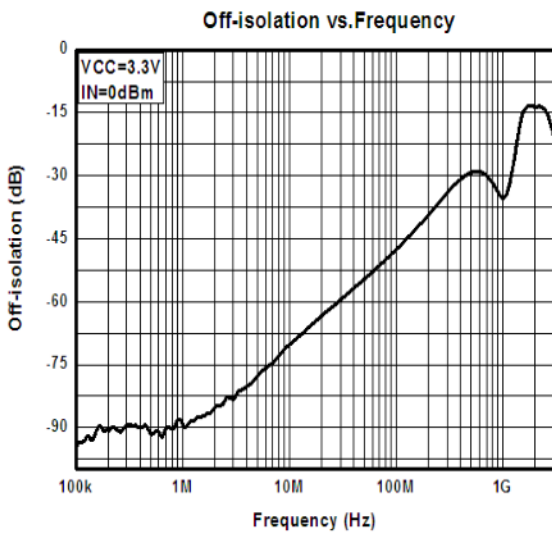
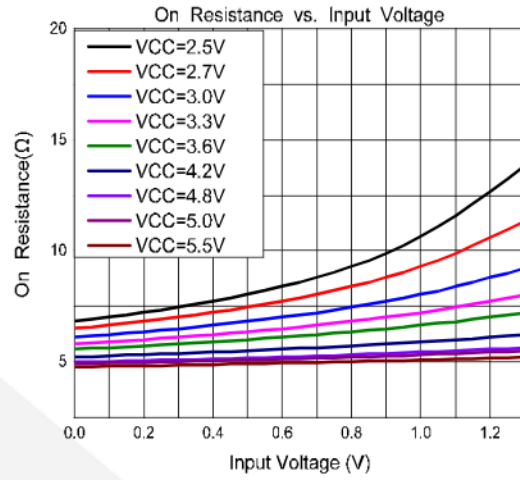
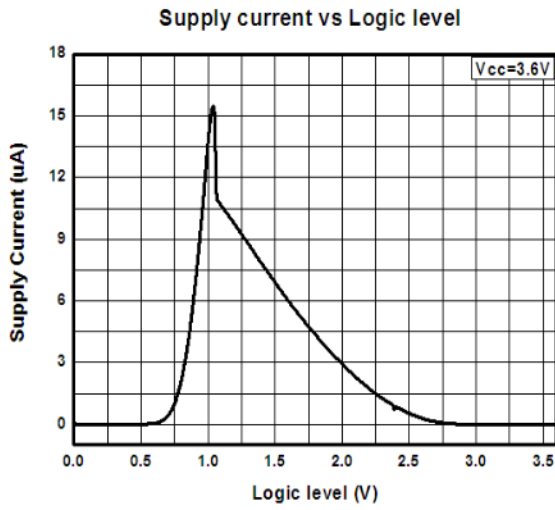
TIME SCALE (0.2ns/DIV)

Figure 2. Eye Pattern: 480Mbps with USB switch In signal path



# DIO32220

Low-Power, USB2.0 High-Speed Switch



Test Diagrams

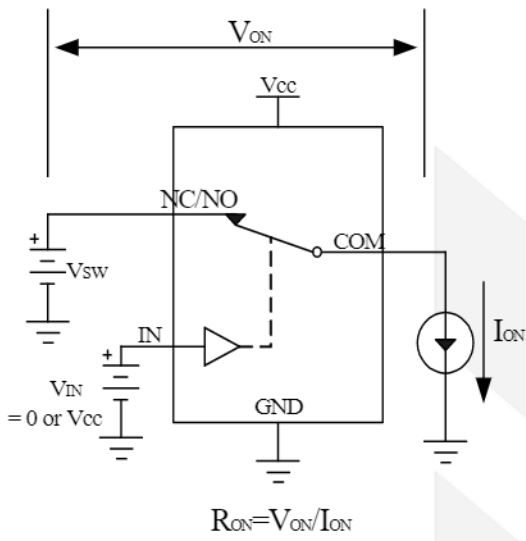


Figure 3. Switch on resistor

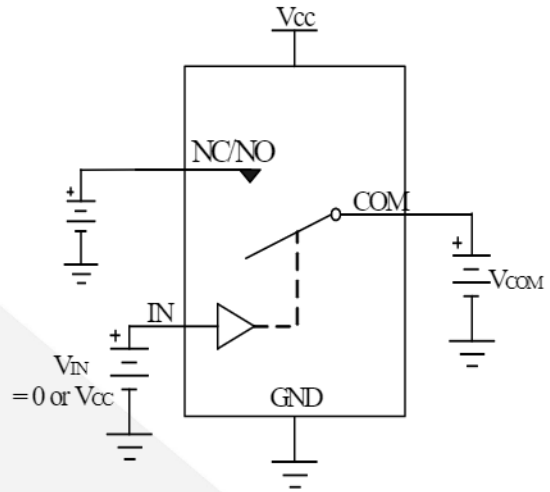


Figure 4. Switch Off Leakage

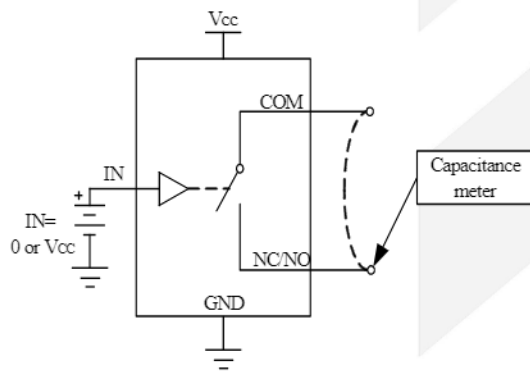


Figure 5. Channel ON/OFF Capacitance

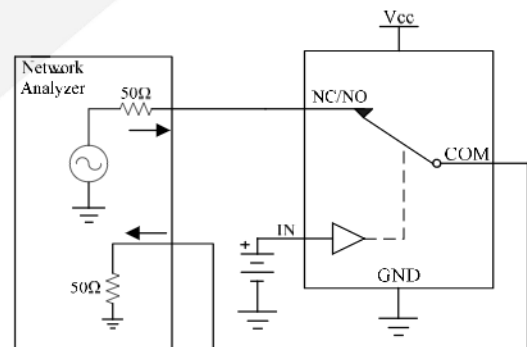


Figure 6. Bandwidth

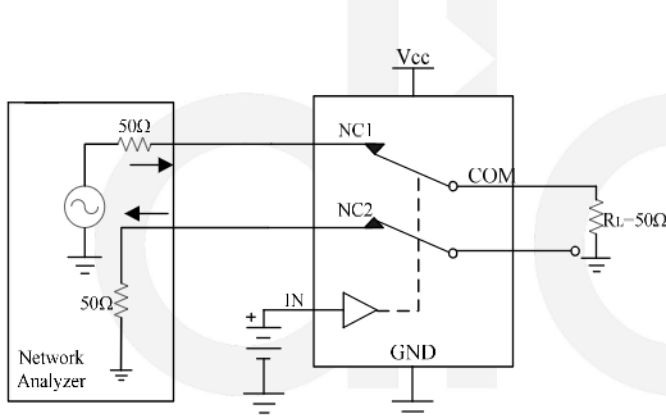


Figure 7. Channel-to-channel crosstalk

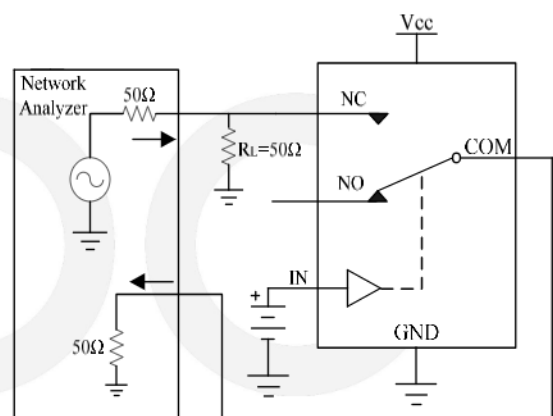
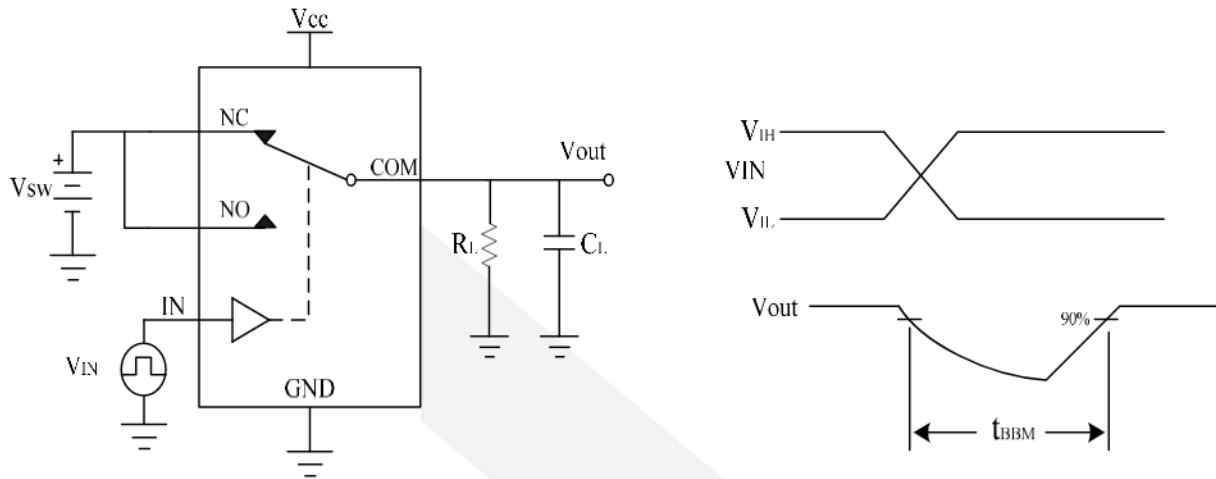
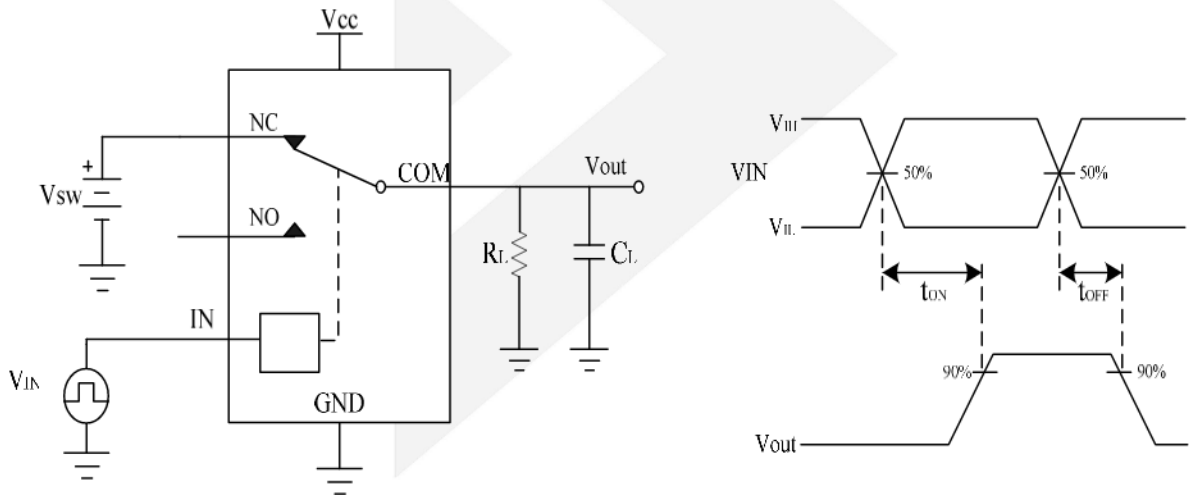


Figure 8. Off-isolation





**Figure 9. Break-Before-Make**



**Figure 10. Turn-On/Turn-Off**



## CONTACT US

Dioo is a professional design and sales corporation for high-quality and performance analog semiconductors. The company focuses on industry markets, such as, cell phone, handheld products, laptop, and medical equipment and so on. Dioo's product families include analog signal processing and amplifying, LED drivers and charger IC. Go to <http://www.dioo.com> for a complete list of Dioo product families.

For additional product information, or full datasheet, please contact with our Sales Department or Representatives.



## X-ON Electronics

Largest Supplier of Electrical and Electronic Components

*Click to view similar products for [USB Interface IC](#) category:*

*Click to view products by [Dioo](#) manufacturer:*

Other Similar products are found below :

[TUSB1146RNQT](#) [TUSB1146IRNQT](#) [CY7C65210-24LTXI](#) [CY7C69356-48LTXC](#) [CYUSB2304-68LTXI](#) [CY7C65642-48AXCT](#) [CYPD2119-24LQXI](#) [USB2227-NU-11](#) [USB2251-NU-06](#) [USB3319C-GJ-TR](#) [USB3370B-EZK-TR](#) [USB5537B-4100AKZE](#) [USB3347-CP](#) [USB2230-NU-02](#) [USB2229-NU-02](#) [CG7648AM](#) [W83627HG-AW](#) [CY7C64225-28PVXCT](#) [CY7C65215A-32LTXI](#) [CYPD2120-24LQXI](#) [CYWB0164BB-BZXI](#) [CYWB0224ABS-BZXI](#) [CY7C65211A-24LTXI](#) [USB5807T-I/KD](#) [USB5742-I/2G](#) [USB3331E-GL-TR](#) [USB3321C-GL-TR](#) [USB1T1103MHX](#) [USB1T1103MPX](#) [USB5742/2G](#) [MAX3301EETJ+T](#) [CYPD2122-20FNXIT](#) [CYPD2122-24LQXIT](#) [LIF-UC120-SWG36ITR50](#) [MAX3456EETE+T](#) [LIF-UC120-CM36ITR50](#) [UPD360-C/6HX](#) [USB2228-NU-11](#) [UPD360-B/6HX](#) [PI3EQX7841ZDEX](#) [CYPD4225-40LQXI](#) [LAN7800-I/VSX](#) [UPD360T-B/6HX](#) [UPD360-A/6HX](#) [LAN7800/VSX](#) [MAX20037ATIB/V+](#) [MP5030CGQH-P](#) [USB7056/KDX](#) [STUSBCD01BJR](#) [CY7C65642-28LTXCT](#)