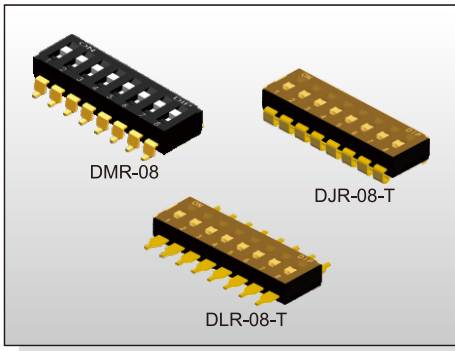


DIP SWITCH D(M)(J)(L) SERIES

SMT Type



FEATURES

- ※ Low profile for space saving
- ※ Gold contact for high reliability
- ※ Top tape type for washing process

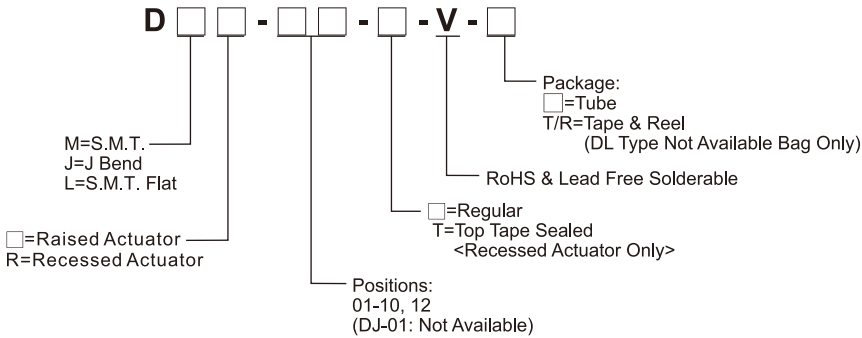
APPLICATION

- ※ Industrial control
- ※ Automatic machines control
- ※ Telecommunication

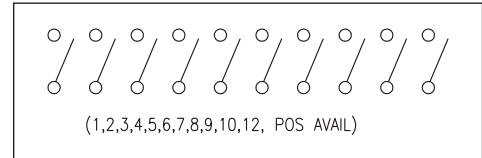
SPECIFICATION

| | |
|-----------------------|--------------------|
| Contact Rating | 25mA, 24V DC |
| Contact Resistance | 50mΩ max. |
| Insulation Resistance | 100MΩ min. 500V DC |
| Dielectric Strength | 500V AC/1 minute |
| Operating Force | 1,000gf max. |
| Travel | 1mm |
| Operating Life | 2,000 cycles |
| Operating Temp. | -20°C ~ +85°C |
| Storage Temp. | -40°C ~ +85°C |

HOW TO ORDER



CIRCUIT



PACKAGE

<Tube>

DM(R), DJ(R):

01: 130 pcs 02: 76 pcs 03: 55 pcs 04: 42 pcs
05: 35 pcs 06: 28 pcs 07: 25 pcs 08: 22 pcs
09: 20 pcs 10: 18 pcs 12: 15 pcs

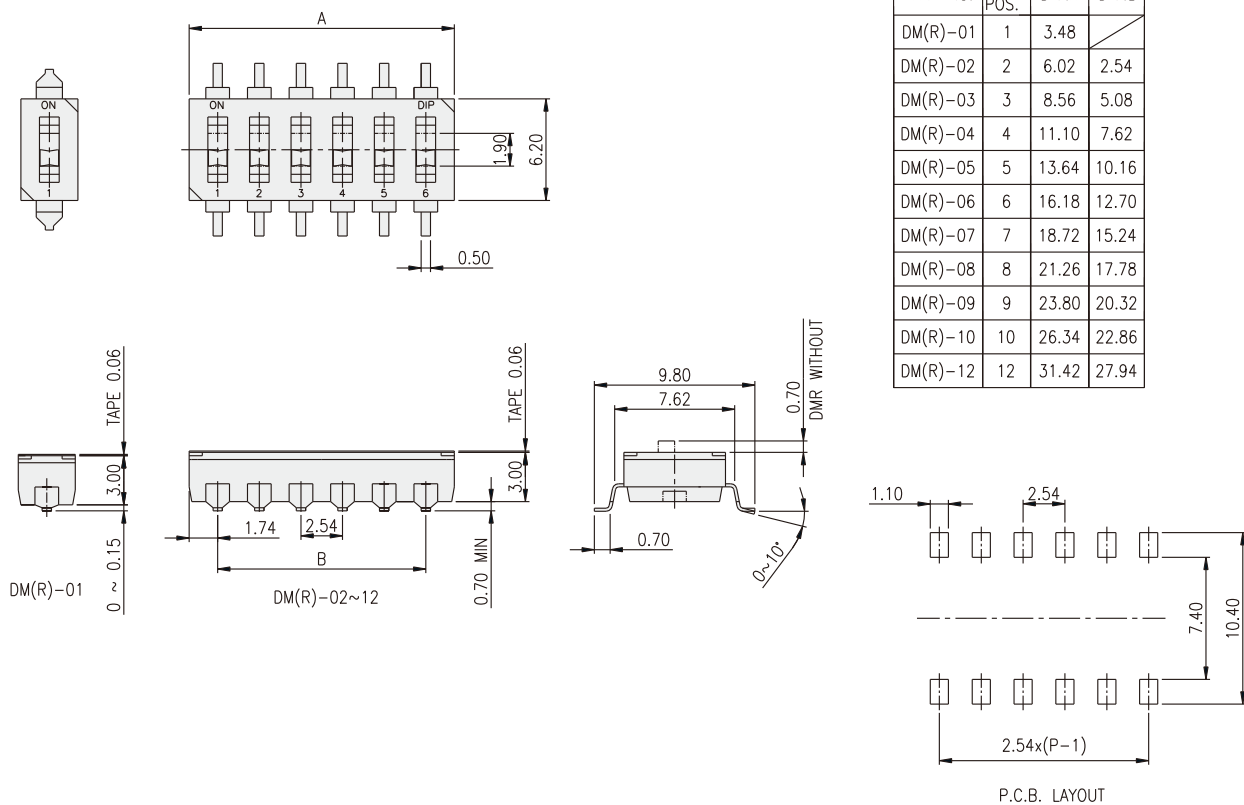
<Tape & Reel>

DM(R)-01: 800 pcs
DMR-02~DMR-12: 900 pcs
DM-(01)(05)(07): 800 pcs
DM-(02)(03)(04)(06)(08)(09)(10)(12): 700 pcs
DJR-(02)(03)(04)(08)(09)(10): 1000 pcs

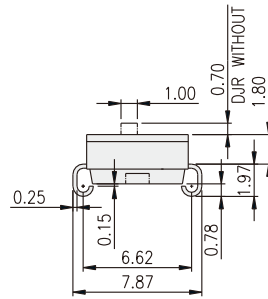
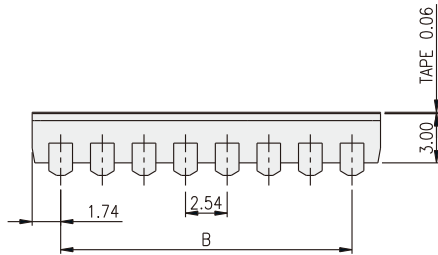
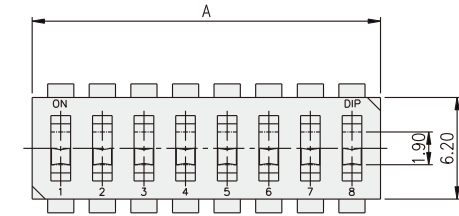
<Bag>

DL(R): 1000 pcs

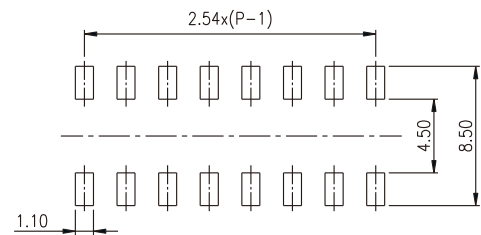
DM(R)



DJ(R)

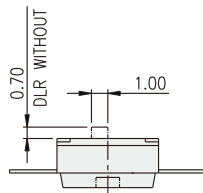
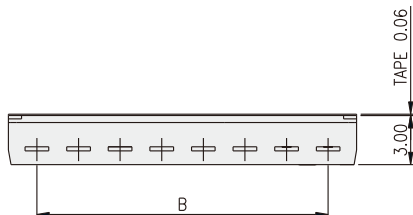
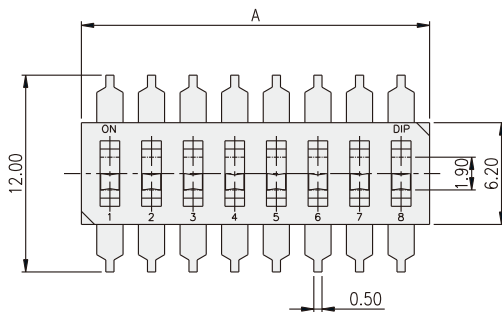


| PART NO. | NO.OF POS. | DIM.A | DIM.B |
|----------|------------|-------|-------|
| DJ(R)-02 | 2 | 6.02 | 2.54 |
| DJ(R)-03 | 3 | 8.56 | 5.08 |
| DJ(R)-04 | 4 | 11.10 | 7.62 |
| DJ(R)-05 | 5 | 13.64 | 10.16 |
| DJ(R)-06 | 6 | 16.18 | 12.70 |
| DJ(R)-07 | 7 | 18.72 | 15.24 |
| DJ(R)-08 | 8 | 21.26 | 17.78 |
| DJ(R)-09 | 9 | 23.80 | 20.32 |
| DJ(R)-10 | 10 | 26.34 | 22.86 |
| DJ(R)-12 | 12 | 31.42 | 27.94 |

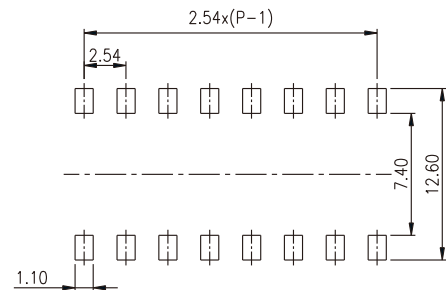


P.C.B. LAYOUT

DL(R)



| PART NO. | NO.OF POS. | DIM.A | DIM.B |
|----------|------------|-------|-------|
| DL(R)-01 | 1 | 3.48 | |
| DL(R)-02 | 2 | 6.02 | 2.54 |
| DL(R)-03 | 3 | 8.56 | 5.08 |
| DL(R)-04 | 4 | 11.10 | 7.62 |
| DL(R)-05 | 5 | 13.64 | 10.16 |
| DL(R)-06 | 6 | 16.18 | 12.70 |
| DL(R)-07 | 7 | 18.72 | 15.24 |
| DL(R)-08 | 8 | 21.26 | 17.78 |
| DL(R)-09 | 9 | 23.80 | 20.32 |
| DL(R)-10 | 10 | 26.34 | 22.86 |
| DL(R)-12 | 12 | 31.42 | 27.94 |



P.C.B. LAYOUT

X-ON Electronics

Largest Supplier of Electrical and Electronic Components

Click to view similar products for [DIP Switches/SIP Switches](#) category:

Click to view products by [Diptronics](#) manufacturer:

Other Similar products are found below :

[09.400BP.04](#) [106-EM04-EV](#) [106-EM08-EV](#) [106-LP04-EV](#) [106-LPD04-EV](#) [106-SDN06-EV](#) [1-1437507-0](#) [1-1437507-6](#) [1-1571983-1](#) [1-1571983-3](#) [1-1571983-4](#) [1-1571983-5](#) [1-1571998-3](#) [1-1571999-1](#) [1-1571999-6](#) [1-161347-2](#) [1-1825002-0](#) [1-1825002-3](#) [1-1825002-4](#) [1-1825002-7](#) [1-1825002-8](#) [1-1825006-1](#) [1-1825006-3](#) [1-1825006-6](#) [1-1825006-7](#) [1-1825006-9](#) [1-1825007-0](#) [1-1825007-3](#) [1-1825008-0](#) [1-1825008-2](#) [1-1825013-1](#) [1-1825013-7](#) [1-1825013-9](#) [1-1825057-0](#) [1-1825058-3](#) [1-1825058-6](#) [1-1825058-9](#) [1-1825059-1](#) [1-1825059-2](#) [1-1825059-3](#) [1-1825059-4](#) [1-1825059-7](#) [1-1825059-8](#) [1-1825059-9](#) [1-1825190-0](#) [1-1825286-0](#) [1-382394-5](#) [1-382394-7](#) [1-435802-5](#) [1-435802-](#)