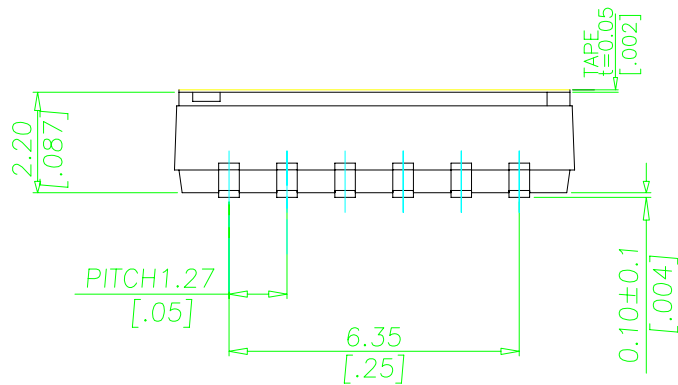
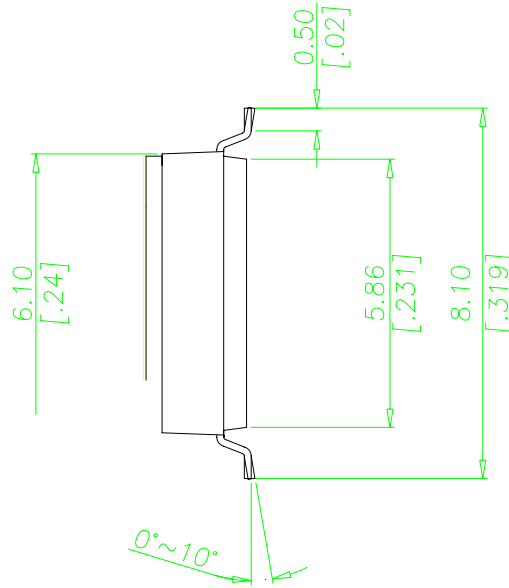
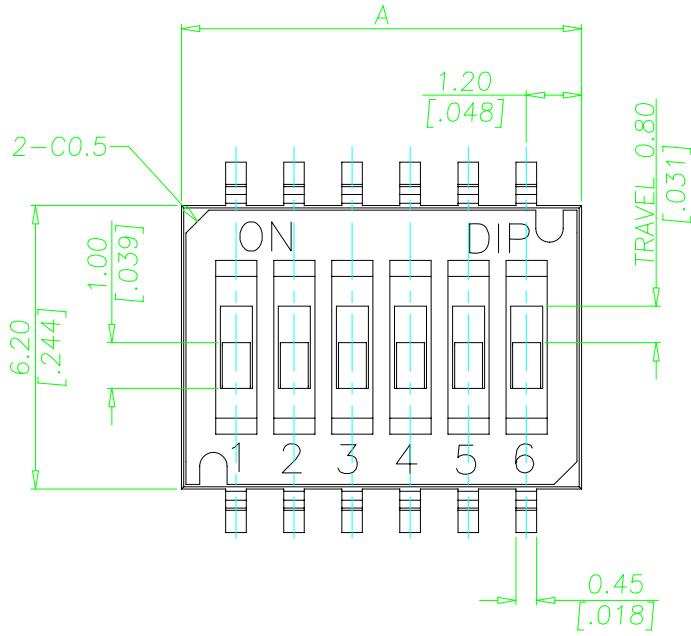


DHA SERIES

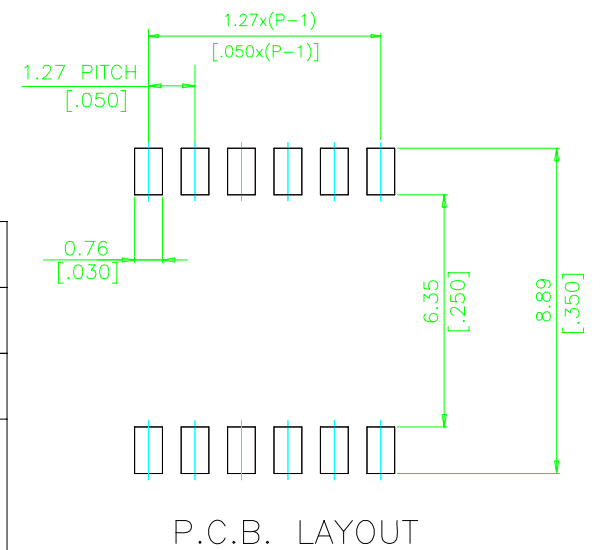


DIMENSIONS

DHA

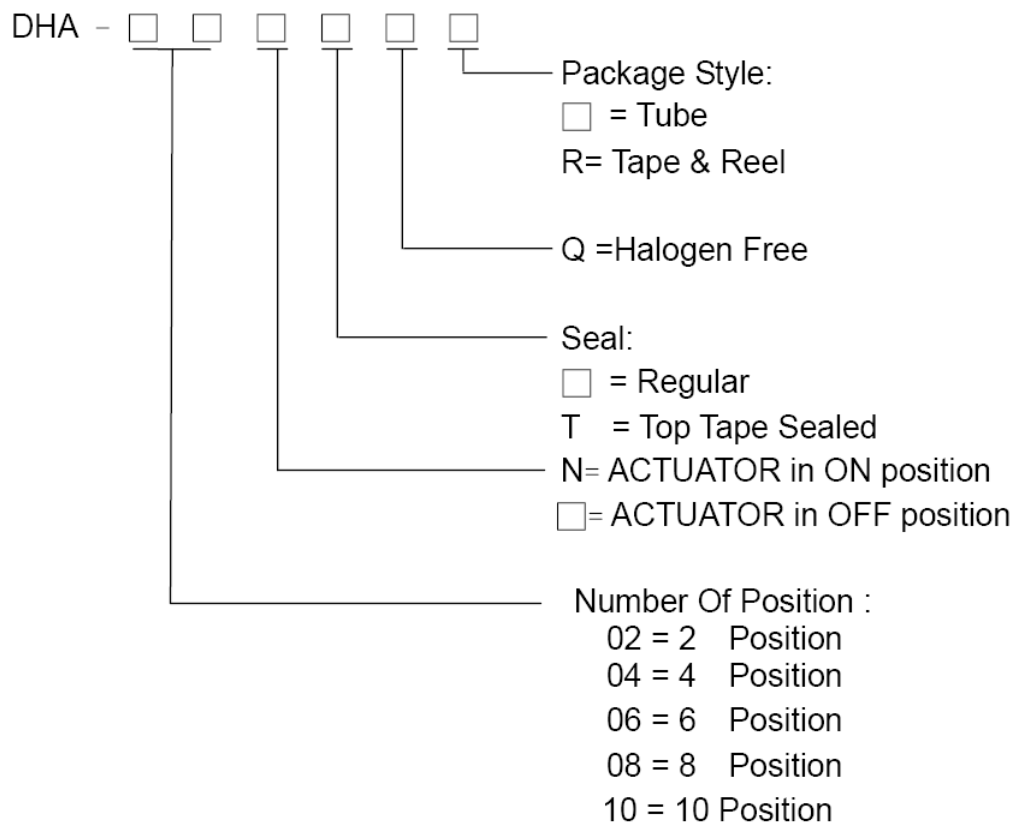


DHA-04Q	4	6.21 [.244]
DHA-06Q	6	8.75 [.344]
PROD.NO.	NO. OF POS	DIM A
SCHEMATIC(TYP.)		
 (4,6 POS AVAIL)		



HOW TO ORDER

Package Style :



SPECIFICATION

△MECHANICAL

Operation Force: 500gf max.

Stroke: 0.8mm

Operation Temperature: -40°C to +85°C

Storage Temperature: -40°C to +85°C

△ELECTRICAL

Electrical Life: 1,000 operations cycles per switch 24VDC, 25mA

Non-Switching Rating: 100mA, 50VDC

Switching Rating: 25mA, 24VDC

Contact Resistance: 100mΩ max. at initial

Insulation Resistance: 100MΩ min. (at 100VDC)

Dielectric Strength: 300VAC / minute

Circuit: Single pole single throw.

MATERIALS

△BASE: UL 94V-0 Nylon Thermoplastic

Color: Black

△COVER: UL 94V-0 Nylon Thermoplastic

Color: Black

△ACTUATOR: UL 94V-0 LCP Thermoplastic

Color: White

△CONTACT: Alloy Copper

△Terminal: Brass

△CONTACT PLATING: Gold plated over nickel

△TERMINAL PLATING: Gold plated

△TAPE: KAPTON

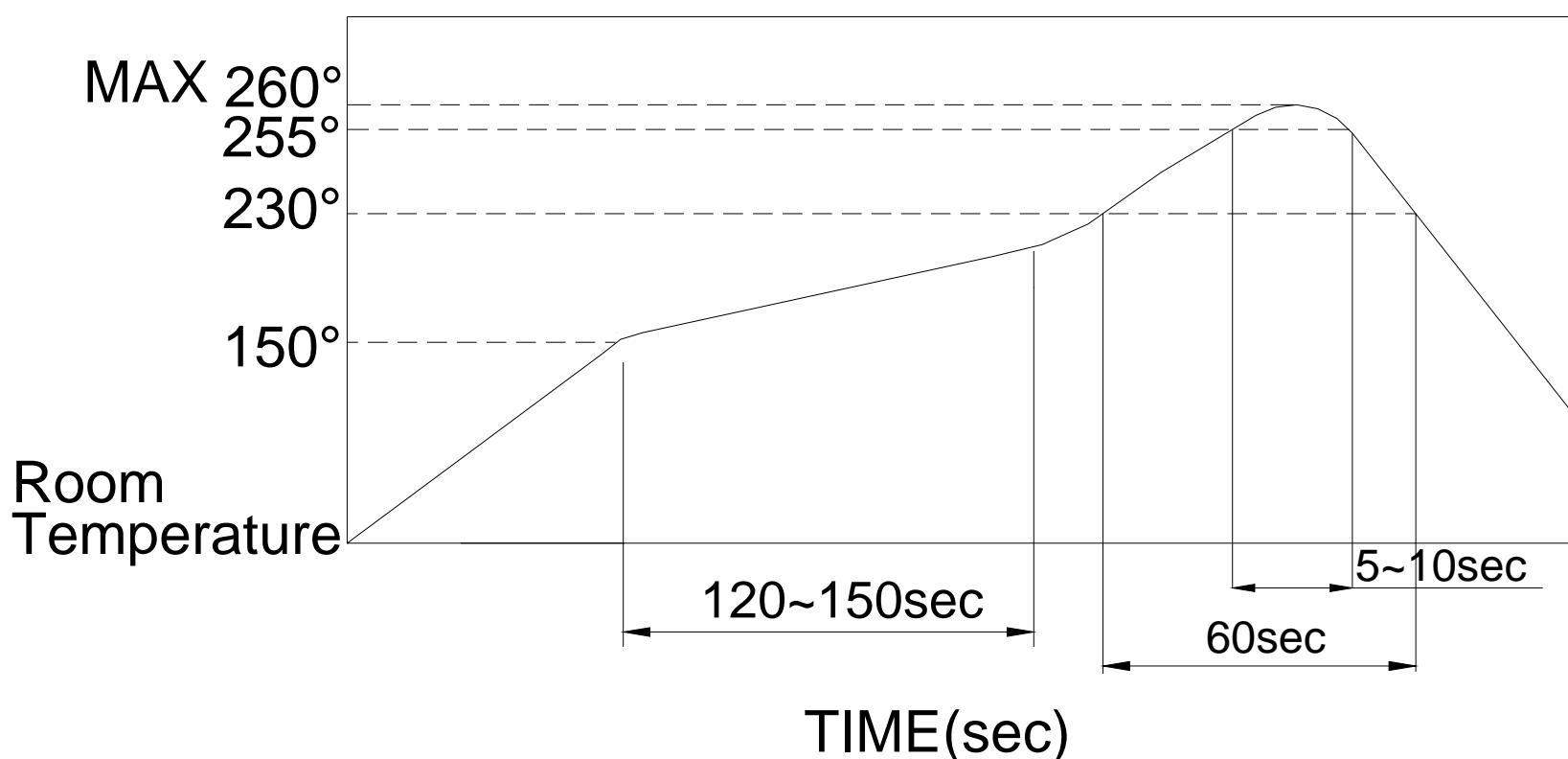
SOLDERING AND CLEANING PROCESS

Soldering : Vapor phase & Reflow soldering can be applied.

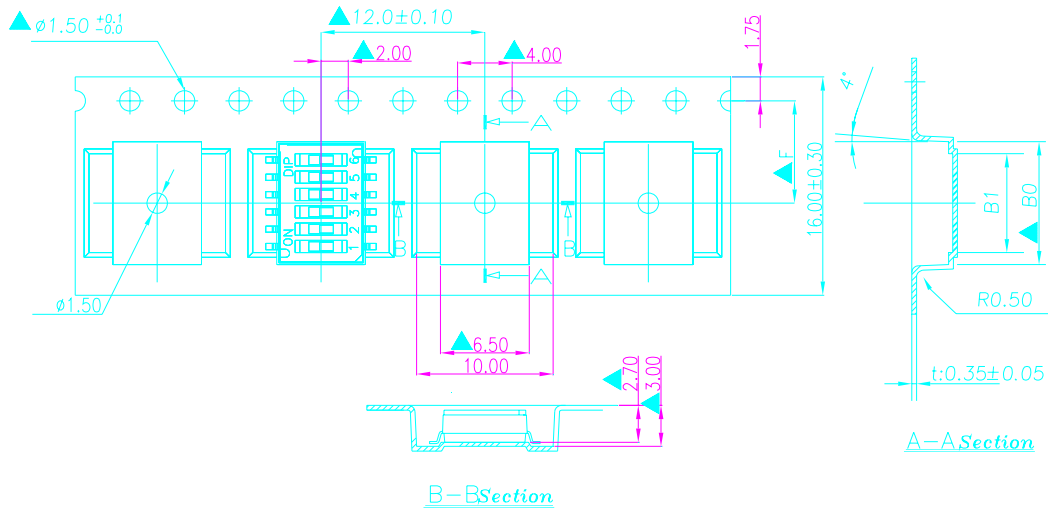
Cleaning :

1. Only seal tape type apply to washing process.
2. Do not remove the seal tape before washing.
3. After soldering process, do not continue the washing process immediately. Please wait for at least 3 minutes.
4. Apply alcoholic solvents as cleaning agent do not use other solvents or water.
5. Ultrasonic cleaning is unavailable.
6. The cleaning process per stage is 1 minute max and the whole cleaning times do not exceed 3 minutes.
7. Do not impose any external force on switch while washing

△Temperature Profile(reference)



PACKING
DHA REEL



底部厚度 0.10mm

DHA-06	62DHA0600	16.00±0.3	7.50±0.1	9.1	7.35
DHA-04	62DHA0400	16.00±0.3	7.50±0.1	6.55	4.80
PART NAME	PART NO	DIM W	DIM F	DIM B0	DIM B1

Part Number

Number
Per Tube

Number
Per Reel

DHA-04

DHA-06

TO be confirmed

X-ON Electronics

Largest Supplier of Electrical and Electronic Components

Click to view similar products for [DIP Switches/SIP Switches](#) category:

Click to view products by [Diptronics](#) manufacturer:

Other Similar products are found below :

[78M03S](#) [79B10T](#) [8136-475G4T](#) [G7G-1A2-CB-DC12](#) [H7CZL8AC100240](#) [A7SS-M](#) [A8CA-201](#) [DRR60016](#) [DRS4016](#) [1825008-1](#) [1825444-1](#) [25.350.0653.0](#) [SBS 5004 TG](#) [SDA10H1BDA](#) [97R06ST](#) [A2C-2A5](#) [1825444-7](#) [ADE08SA04](#) [ADE12S04](#) [192960010](#) [2-1825058-8](#) [25.330.0653.1](#) [25.352.0353.0](#) [CXDRIVEV2X](#) [IKN0600000](#) [IKN0800000](#) [LA2-002-DC24](#) [DBS1003](#) [438872000](#) [DRD10CRAE04](#) [DSR02T](#) [DSS 208 N](#) [E2FMX2D1M1TGJ03M](#) [NDI10H](#) [219-9MSTP](#) [204-6ES](#) [EPM02FV](#) [701521596](#) [NDS08V](#) [76SB05](#) [79A10](#) [TD06H0SK1](#) [Z7.255.9027.0](#) [1-1825058-3](#) [1825428-4](#) [219-10LPSTF](#) [E3ZG6111D03M](#) [G4D212PUSTV2DC5](#) [195-7MSTN](#) [NDI05H](#)