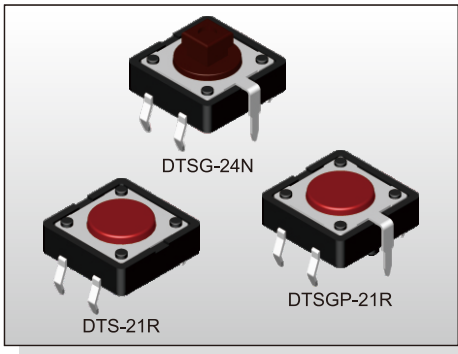


# TACT SWITCH DTS(G)(P)-2 SERIES

12x12 Through Hole  
With Ground Terminal Type



## FEATURES

- ※ Snap in type with ground pin
- ※ Guide bosses available
- ※ Cap options

## APPLICATION

- ※ Audio, OA equipment
- ※ Instrumentation
- ※ Industrial

## SPECIFICATION

Contact Rating	50mA, 12V DC
Contact Resistance	100mΩ max.
Insulation Resistance	100MΩ min. 500V DC
Dielectric Strength	250V AC/1 minute
Operating Force	130±50gf, Black(K) 160±50gf, Brown(N) 260±50gf, Red(R) 320±80gf, Salmon(S) 520±130gf, Yellow(Y)
Travel	0.35mm
Operating Life	Phosphor Bronze Dome 100,000 cycles for 520/320/260gf 200,000 cycles for 160gf
	Stainless Steel Dome 300,000 cycles for 520/320gf 500,000 cycles for 260gf 1,000,000 cycles for 160gf 10,000,000 cycles for 130gf
Operating Temp.	-25°C ~ +70°C
Storage Temp.	-30°C ~ +80°C

## HOW TO ORDER

**D T S**   - **2**   -  -  -

= Without Ground Pin  
G = With Ground Pin

= Without Post  
P = With Post

Dimension H:  
1=4.30mm  
3=7.40mm  
4=7.30(SQ.)x3.80mm  
5=8.50mm

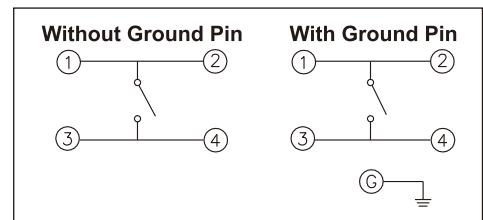
Package:  
 = Bulk pack  
B = Tube (DTS-2 Only)

V = RoHS & Lead Free Solderable  
Q = Halogen Free

= Phosphor Bronze Dome (Except 130gf)  
S = Stainless Steel Dome

Operating Force:  
K=Black, 130g  
N=Brown, 160gf  
R=Red, 260gf  
S=Salmon, 320gf  
Y=Yellow, 520gf

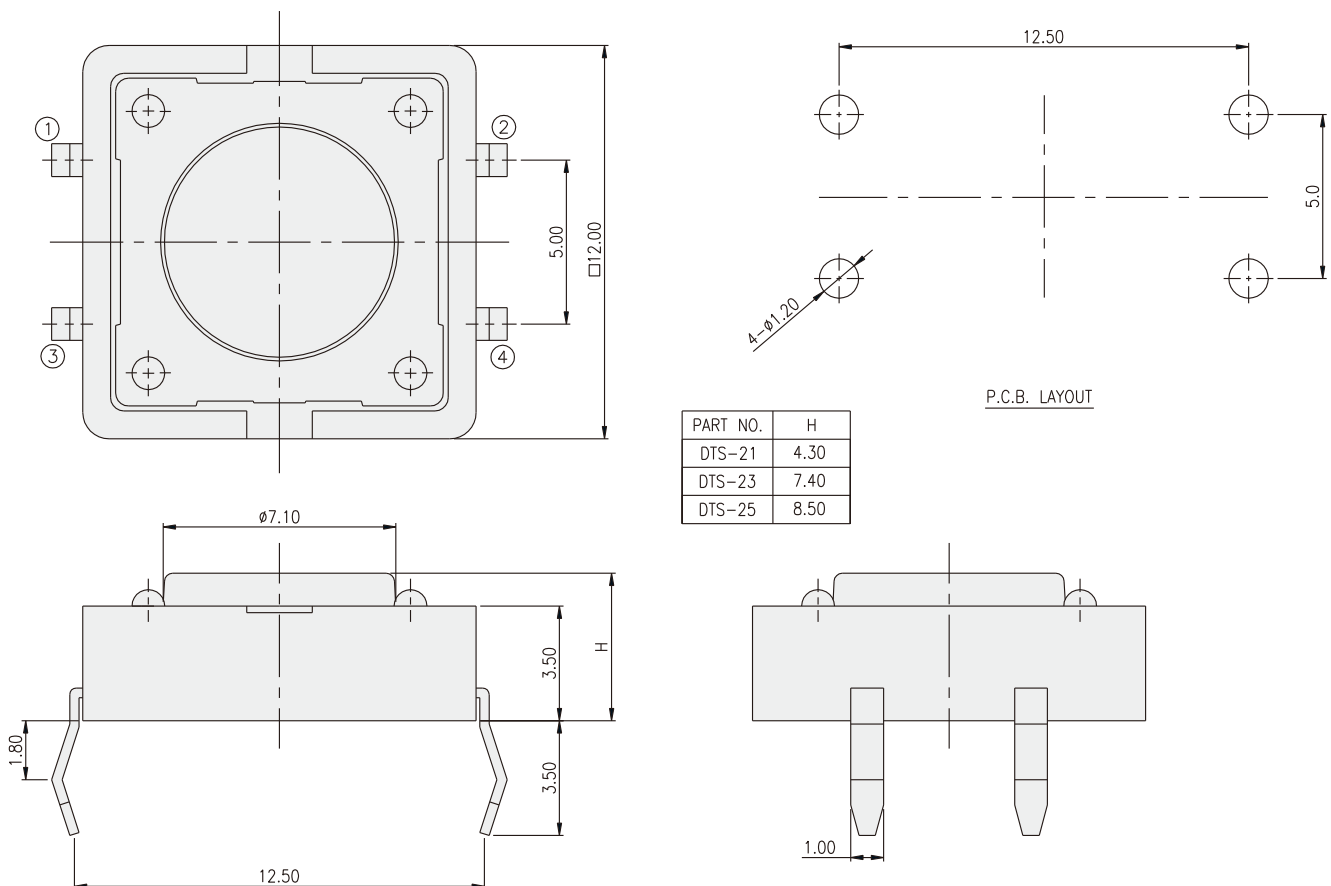
## CIRCUIT



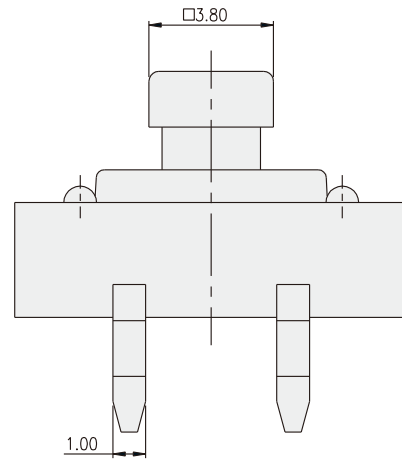
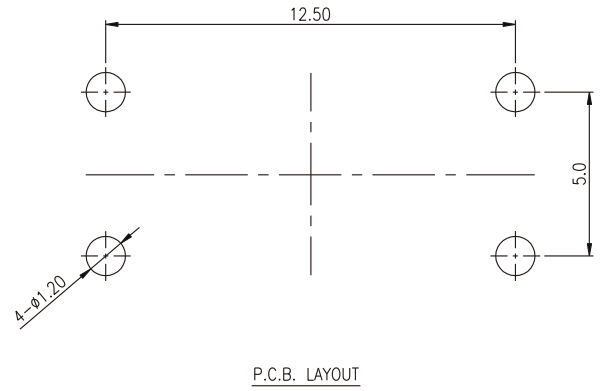
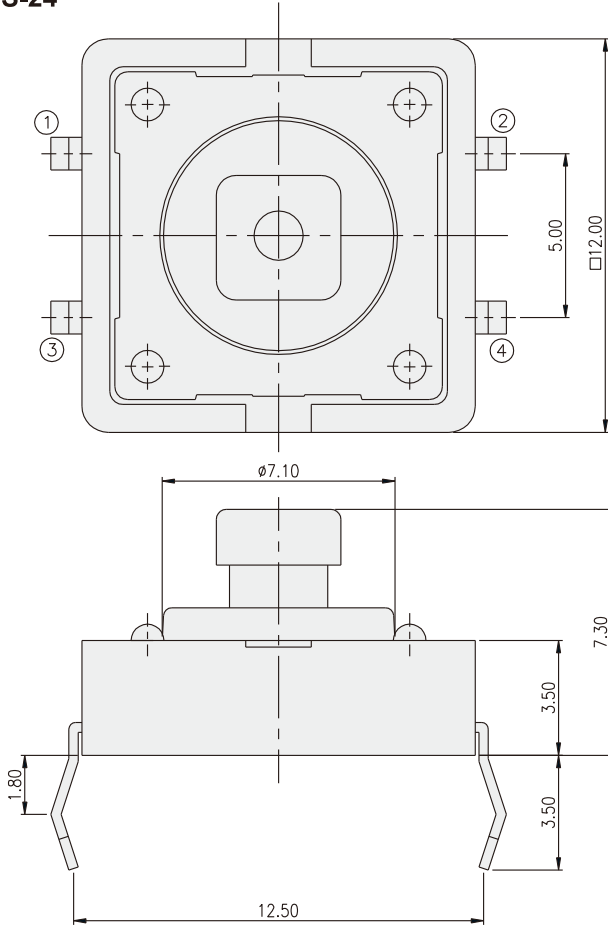
## PACKAGE

<Bag>  
500 pcs  
<Tube>  
DTS-2: 40 pcs

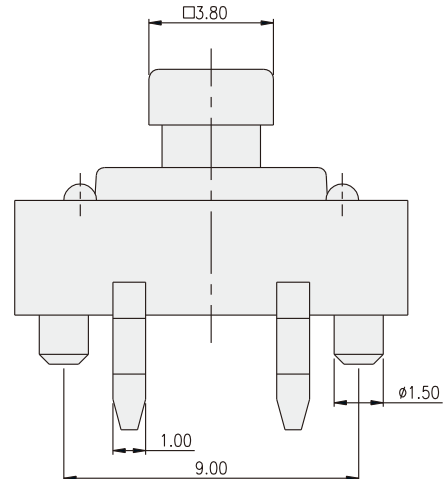
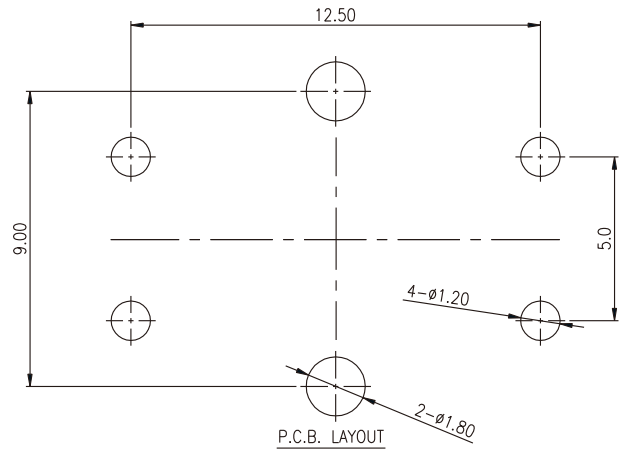
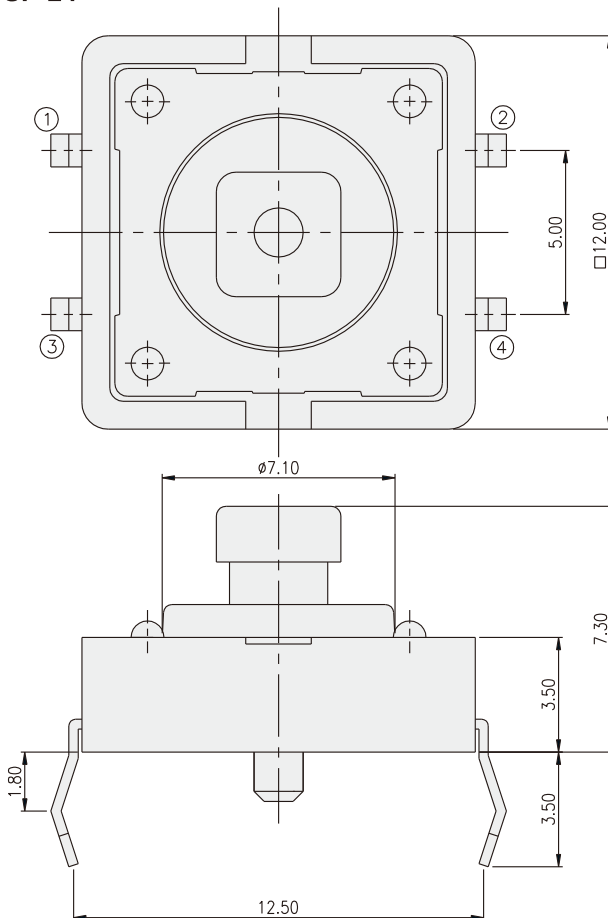
## DTS-2



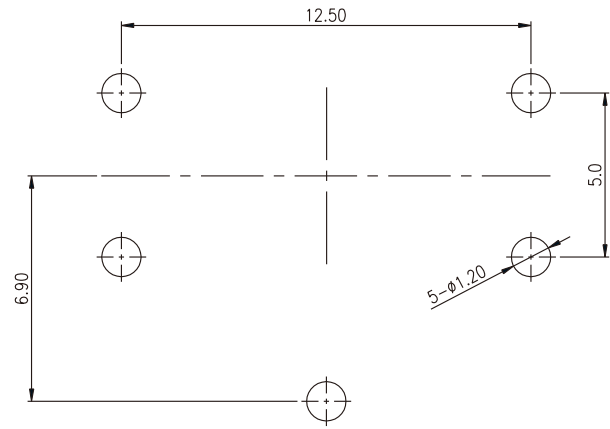
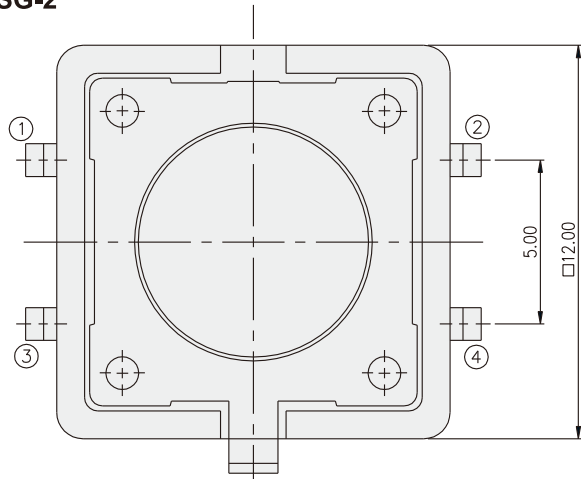
**DTS-24**



**DTSP-24**

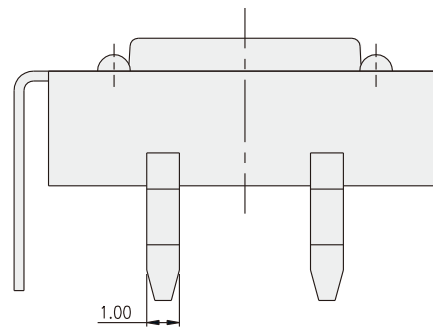
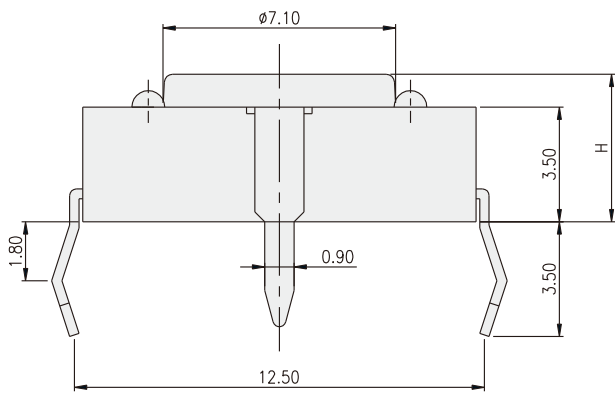


**DTSG-2**



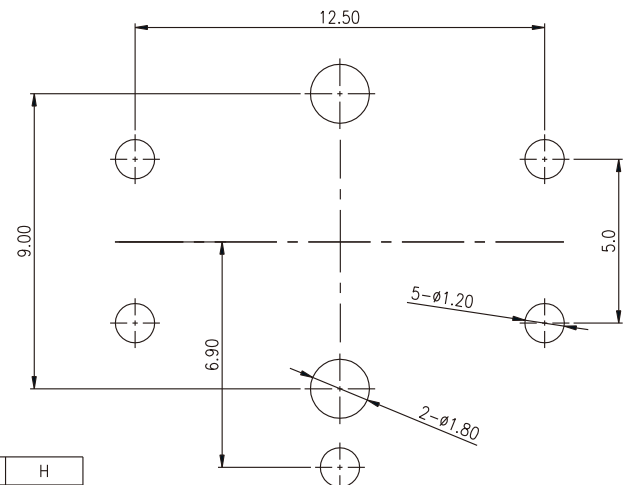
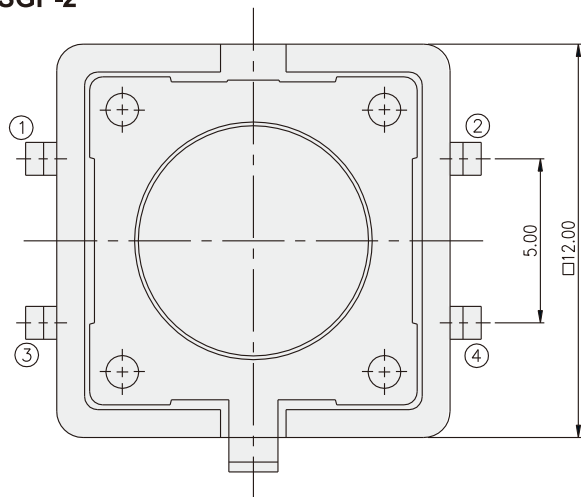
PART NO.	H
DTSG-21	4.30
DTSG-23	7.40
DTSG-25	8.50

P.C.B. LAYOUT



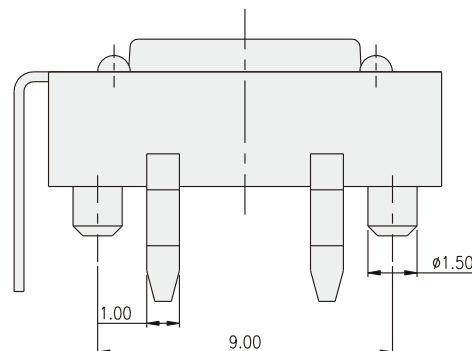
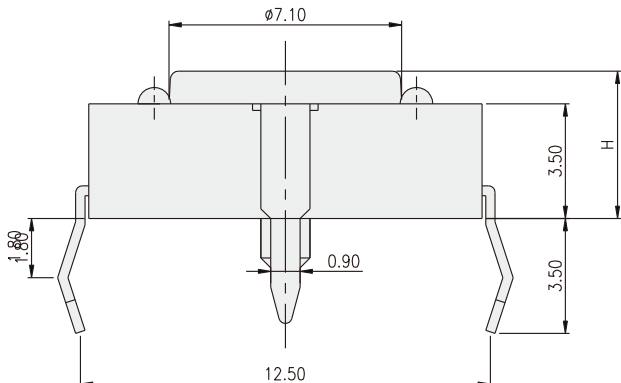
TACT SWITCH

**DTSGP-2**



PART NO.	H
DTSGP-21	4.30
DTSGP-23	7.40
DTSGP-25	8.50

P.C.B. LAYOUT



## X-ON Electronics

Largest Supplier of Electrical and Electronic Components

*Click to view similar products for [Tactile Switches](#) category:*

*Click to view products by [Diptronics](#) manufacturer:*

Other Similar products are found below :

[5GTH92001](#) [1-1977120-4](#) [ADTSA62NV](#) [ADTSA62RV](#) [ADTSA63KV](#) [ADTSA644NV](#) [ADTSMW66NV](#) [ADTSMW67RV](#) [B3F-3123](#) [B3F-6055A](#) [B3F-B32-01-KIT](#) [1977177-8](#) [1977266-1](#) [ADTS644KV](#) [ADTSA61RV](#) [ADTSA62KV](#) [ADTSA63NV](#) [ADTSA63RV](#) [ADTSM21NSVTR](#) [ADTSM32NVTR](#) [ADTSM63SVTR](#) [ADTSM644KVTR](#) [ADTSMW64RV](#) [ADTSMW69NV](#) [FSMRA4JHA04](#) [GS4.70F300QP](#) [3ESH9R](#) [506E00201](#) [MJTP1164TR](#) [3FTL600RAS](#) [3FTL640RAS](#) [Y96K132V0FPLFS](#) [101-TS5022T1601-EV](#) [5GSH92001](#) [KSJ0A231](#) [80SH LFG](#) [ADTSM31NVTR](#) [EVQ-P1D05K](#) [MJTP1162TR](#) [ADTSM63KV](#) [2-1977120-7](#) [TSJW-5.2-260-TR](#) [KMT011MNGJLHS](#) [B3WN6002S](#) [ADTSA648RV](#) [70-201.0](#) [ADTSG648NV](#) [ADTSM62KSVTR](#) [ATA600VTR](#) [ADTSG66RV](#) [ADTS61NV](#)