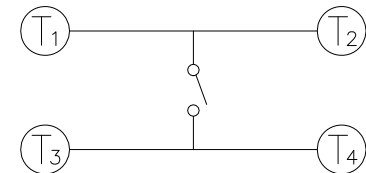
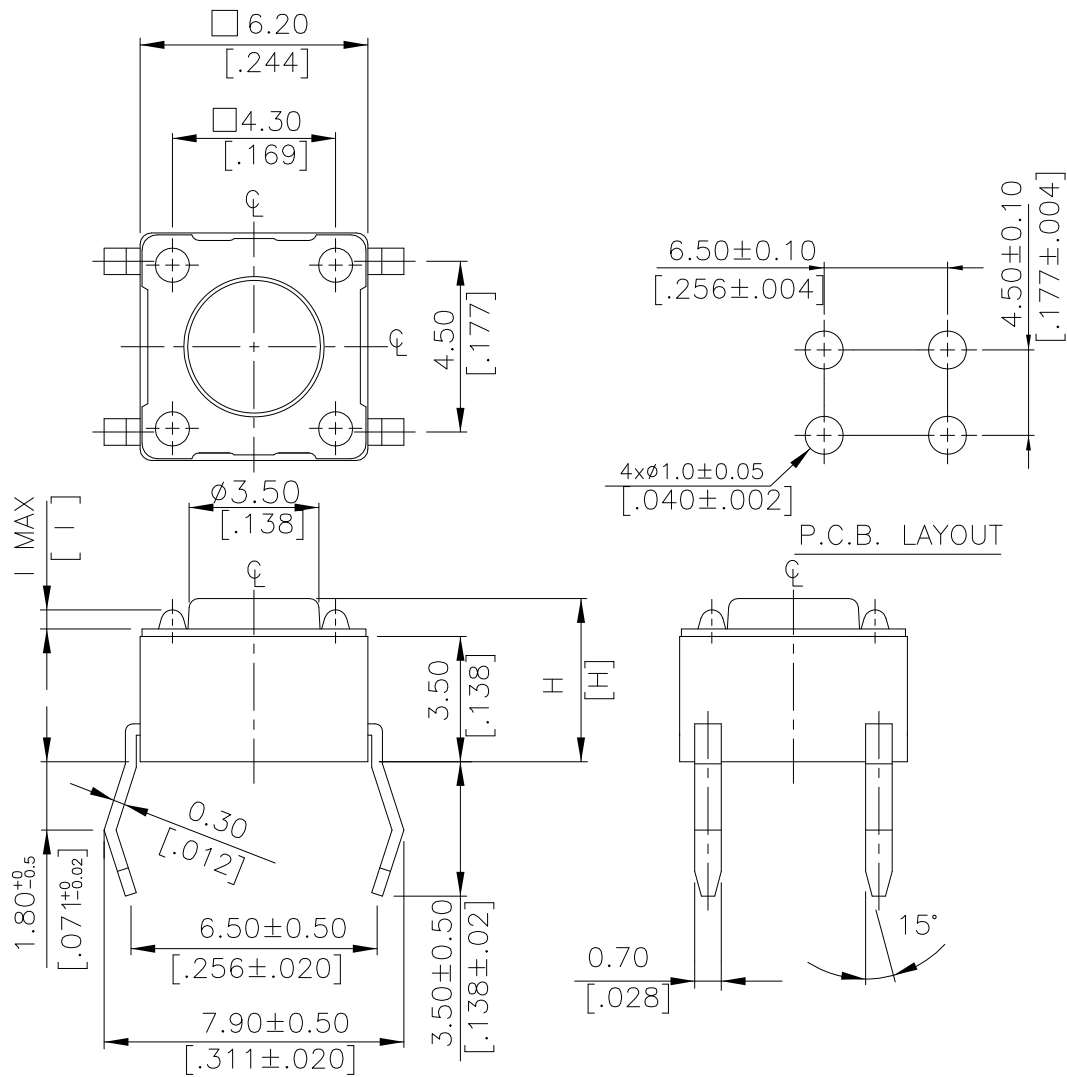


DTS-6(2) SERIES



**DIMENSIONS**

DTS-61~66 □



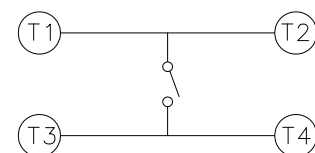
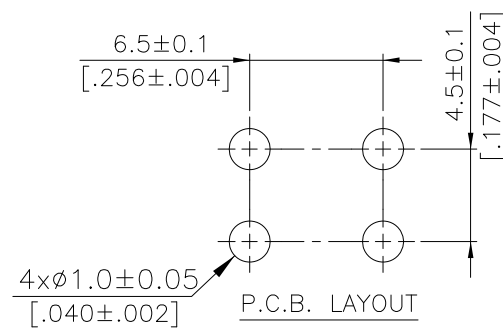
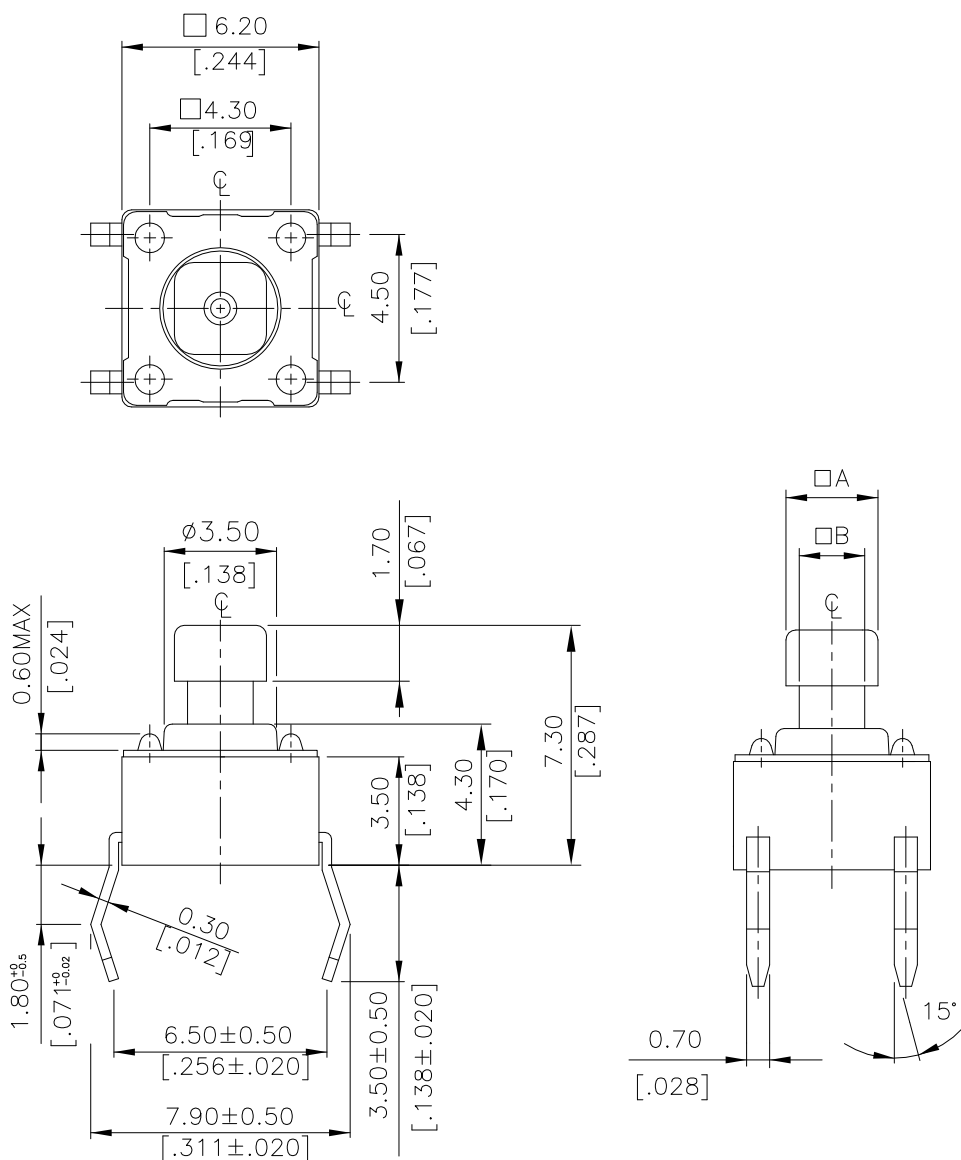
CIRCUIT DIAGRAM

DTS-62~66 □	0.6 MAX	.0236 MAX
DTS-61 □	0.5 MAX	.0197 MAX
PROD. NO.	I	INCHES.

DTS-66 □	13.0 [.512]
DTS-65 □	9.5 [.374]
DTS-63 □	7.0 [.275]
DTS-62 □	5.0 [.197]
DTS-61 □	4.3 [.169]
PROD. NO.	H

General Tolerance : ±0.2mm

DTS-644、648 □



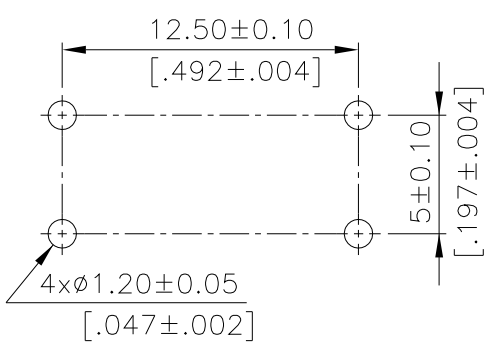
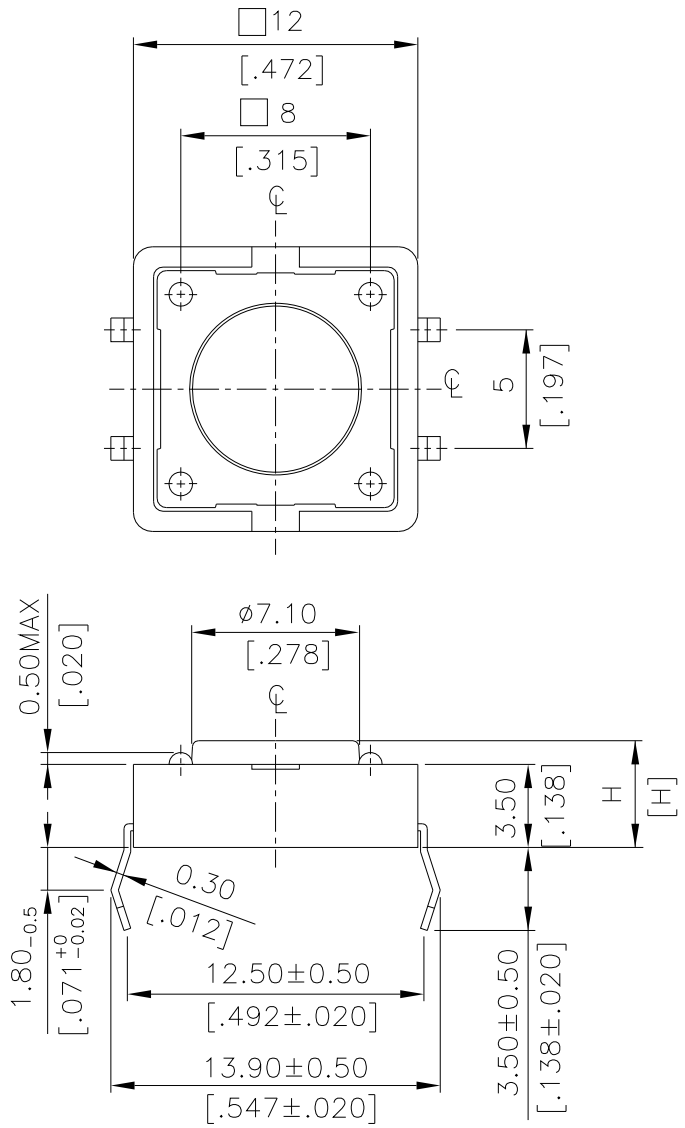
CIRCUIT DIAGRAM

DTS-644 □	□A	2.4	[.095]
	□B	1.6	[.063]
DTS-648 □	□A	2.8	[.110]
	□B	2.0	[.079]
PROD. NO.	LOC.	MM.	INCH.

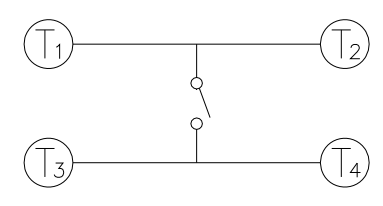
DIMENSION

General Tolerance : ±0.2mm

DTS-21、25

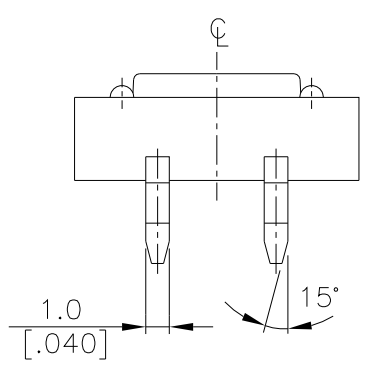


P.C.B. LAYOUT



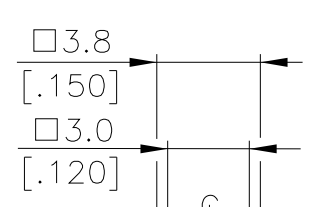
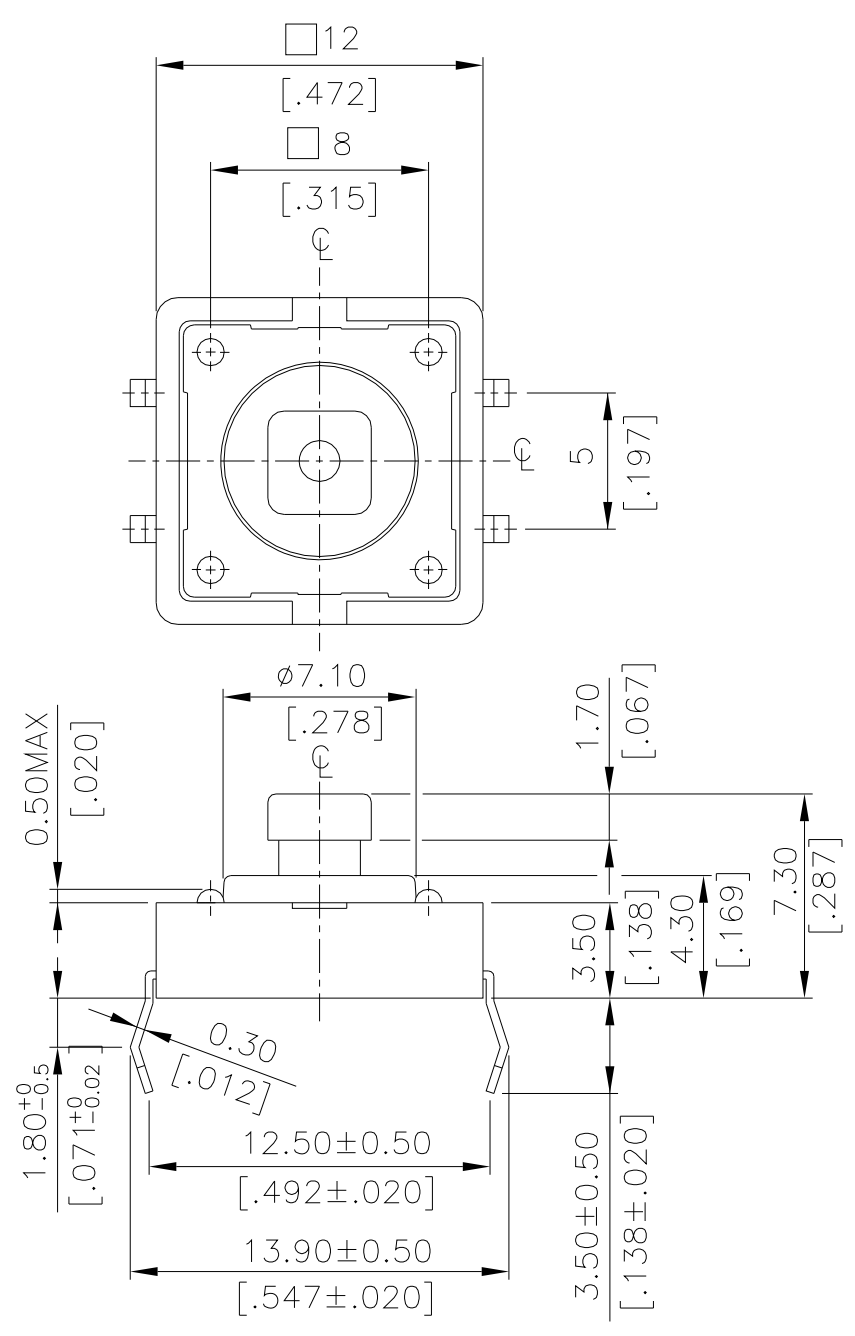
CIRCUIT DIAGRAM

DTS-25	8.5 [0.335]
DTS-21	4.3 [0.169]
PROD. NO.	H

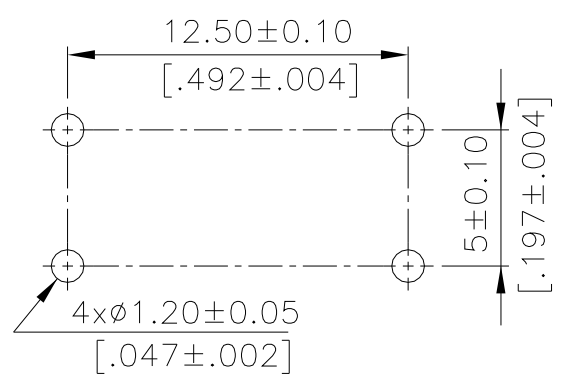


General Tolerance :  $\pm 0.2\text{mm}$

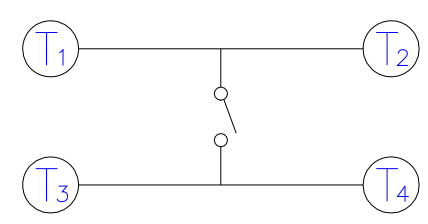
DTS-24



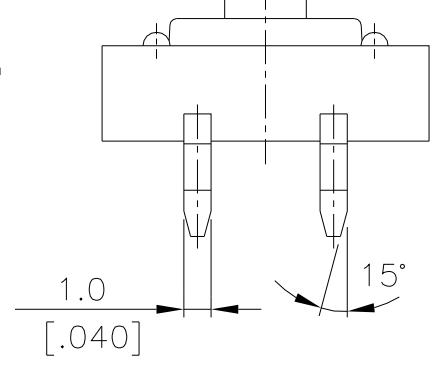
P.C.B. LAYOUT



P.C.B. LAYOUT



CIRCUIT DIAGRAM



General Tolerance :  $\pm 0.2\text{mm}$

# HOW TO ORDER

D T S □ - □ □ □ - □ - □ - □

Package style:  
 □ = Bulk pack  
 ▲ B = Tube  
 (▲ Except DTS-61, 62, 63, 644, 648, 65, 66)

Soldering:  
 V = RoHS & Lead Free Solderable  
 Q = Halogen Free

□ = Phosphor bronze Dome  
 (\*S = Dome Stainless steel)  
 (\*12x12 Y Unavailable)

Color of stem for operating force:  
 ▲ K = Black , 100gf-----only for 6x6  
 K = Black , 130gf-----only for 12x12  
 N = Brown , 160gf  
 R = Red , 260gf  
 S = Salmon , 320gf  
 ▲ Y = Yellow , 520gf  
 (▲ 12x12 Y Unavailable)

Dimension H :

◎ 6 X 6 mm	◎ 12 x 12 mm
1 = 4.3 mm	1 = 4.3 mm
2 = 5.0 mm	4 = 7.3 mm (SQ.) x 3.8 mm
3 = 7.0 mm	5 = 8.5 mm
44 = 7.3 mm(SQ.)x2.4 mm	
48 = 7.3 mm(SQ.)x2.8 mm	
5 = 9.5 mm	
6 = 13 mm	

Prod. Size :  
 6 = 6x6 mm  
 2 = 12x12 mm

□ = None Post  
 ▲ = With Post  
 < ▲ For 12x12 only >

Tactile Switch

## SPECIFICATION

### △MECHANICAL

Operation Force:520±130gf Yellow(Y)  
320±80gf Salmon(S)  
260±50gf Red(R)  
160±50gf Brown(N)  
130±50gf Black(K)—(only for 12x12)  
100±50gf Black(K)---(only for 6x6)  
Stop Strength: Max 3kgf vertical static load continuously  
for 15 seconds

Stroke : (12x12) 0.35±0.1mm  
(6x6) 0.25+0.2/-0.1mm

Operation Temperature Range : -25°C to +70°C

Storage Temperature Range : -30°C to +80°C

### △ELECTRICAL (12X12) \*Phosphor bronze Dome

Electrical Life: 100,000 cycles for 520gf, 320gf, 260gf  
200,000 cycles for 160gf

### △ELECTRICAL (6X6) \*Phosphor bronze Dome

Electrical Life : 300,000 cycles for 320gf, 520gf  
500,000 cycles for 260gf  
1,000,000 cycles for 70gf, 100gf,160gf

## MATERIAL

△COVER : Stainless steel

△CONTACT DISC : Phosphor bronze with silver cladding  
(Standard)  
Stainless Steel(V-Option)

△TERMINAL : Brass with silver plated

△BASE : UL94V-0 Nylon High-Temp. Thermoplastic

△STEM : UL94V-0 Nylon High-Temp. Thermoplastic

Color : Black(100gf) , Brown(160gf) , Red(260gf)  
Salmon(320gf) , Yellow(520gf)

### △ELECTRICAL (12X12) \* Stainless Steel Dome

Electrical Life: 300,000 cycles for 520gf, 320gf  
500,000 cycles for 260gf  
1,000,000 cycles for 160gf

### △ELECTRICAL (6X6)\*Stainless Steel Dome

Electrical Life: 3,000,000 cycles for 320gf, 520gf  
500,000 cycles for 260gf  
1,000,000 cycles for 70gf, 100gf, 160gf

## SOLDERING PROCESS

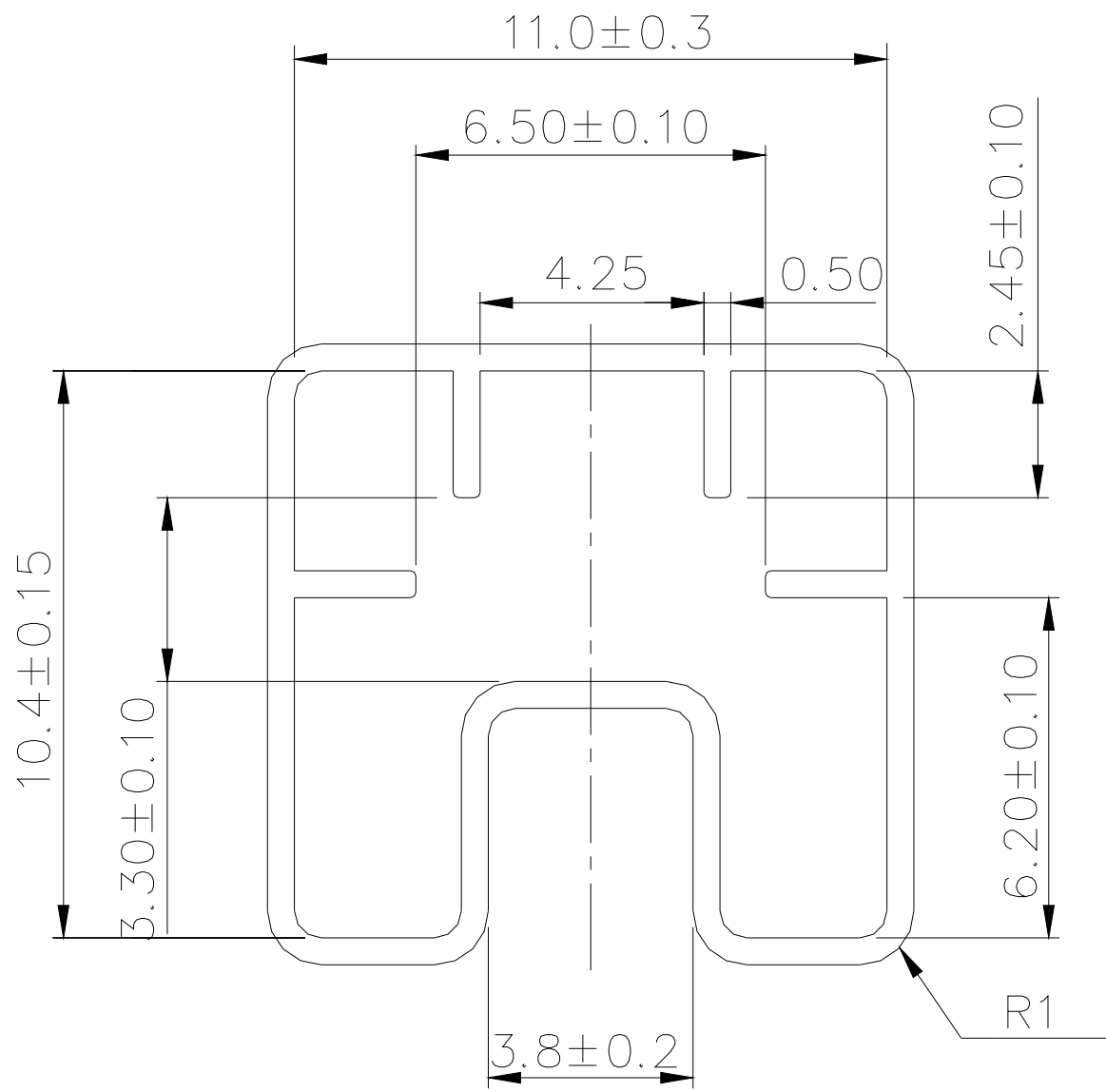
△WAVE SOLDERING: Recommended solder temperature at 500°F(260°C)max. 5 seconds subject to PBC 1.6mm thickness ( For through hole type )

△Hand soldering : Use a soldering iron of 30 watts , controlled at 350°C approximately max 5 seconds while applying solder.

## PACKING

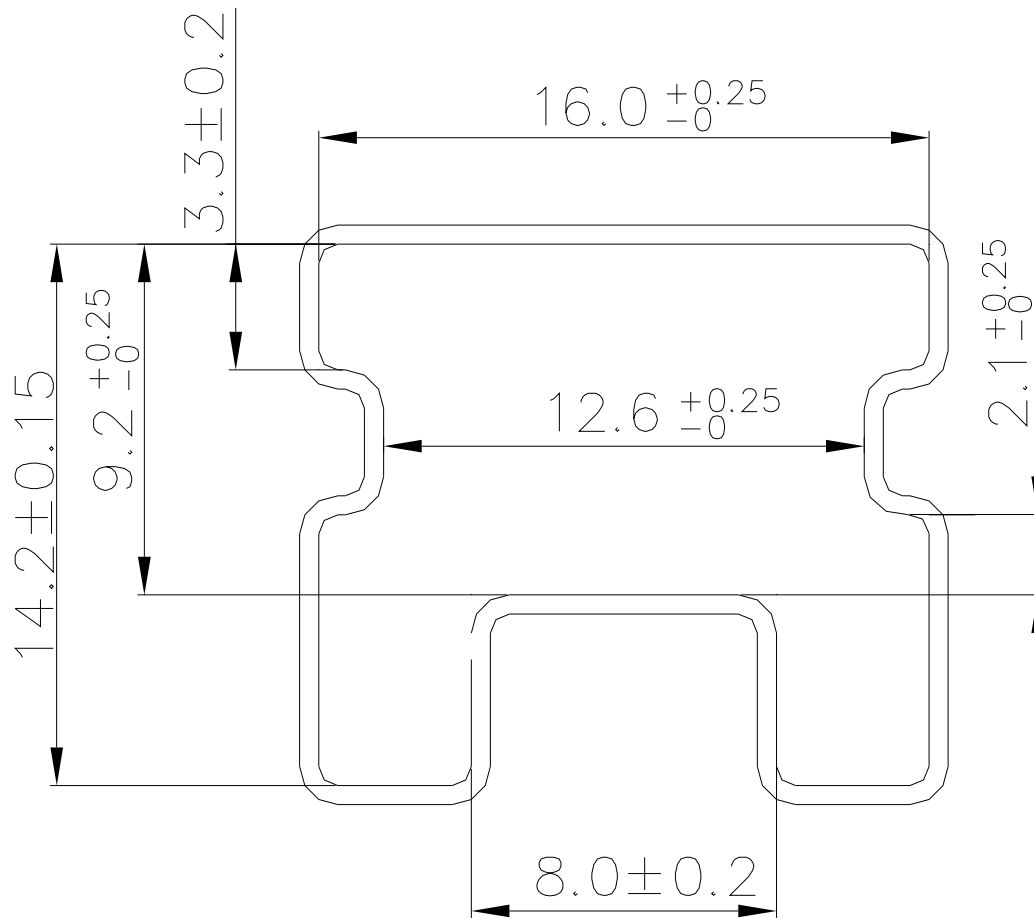
Part Number	Number Per Bag	Number Per Tube
DTS-6□□□	1000	-
DTS-61	-	77
DTS-62	-	77
DTS-2	500	-
DTS-2□□	-	39

DTS-61.62 TUBE



General Tolerance :  $\pm 0.2\text{mm}$

DTS-2 □ □ TUBE



General Tolerance :  $\pm 0.2\text{mm}$

## X-ON Electronics

Largest Supplier of Electrical and Electronic Components

*Click to view similar products for [Tactile Switches](#) category:*

*Click to view products by [Diptronics](#) manufacturer:*

Other Similar products are found below :

[6407-250V-25273P](#) [ADTSA62NV](#) [B3F-3123](#) [1977177-8](#) [1977266-1](#) [ADTSA63NV](#) [ADTSM21NSVTR](#) [ADTSM25RVTR](#) [ADTSM32NVTR](#)  
[ADTSMW64RV](#) [1977120-6](#) [FSMRA4JHA04](#) [GS4.70F300QP](#) [KSC241J SP DELTA LFS](#) [3FTL600RAS](#) [3FTL640RAS](#) [6407-250V-25343P](#)  
[ADTSM31NVTR](#) [2-1977120-7](#) [TSJW-5.2-260-TR](#) [Y651050400P](#) [KMT011MNGJLHS](#) [70-201.0](#) [ADTSG648NV](#) [ADTSM62KSVTR](#)  
[ADTSM648NV](#) [95C06E3RAT](#) [3ATH9Q](#) [FSMRA8JHA04](#) [HARS0073](#) [Y33R411N9FPLFT](#) [Y33R51139FPLFT](#) [Y31C01402FPLFS](#)  
[PTS645SK50SMTR92](#) [ADTSM32NVB](#) [KMS233GPWTLFG](#) [Y78B64124FP](#) [Y33A812C5FP LFT](#) [Y56B2D120FP LFS](#) [PTS645 DVM83-](#)  
[BN125-2 LFS](#) [B3W 1000G](#) [B3F 1002C](#) [B3F 0047H](#) [B3W 1002C](#) [B3F 5001G](#) [B3W 1100C](#) [1-1571563-4](#) [B3F 3150M](#) [KT11P4SA1M35 LFG](#)  
[SS-FORM](#) [B3F 5000R](#)