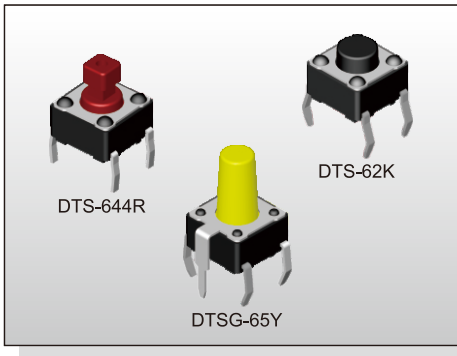


TACT SWITCH DTS(G)-6 SERIES

6x6 Through Hole & Ground Terminal Type



FEATURES

- ※ Compact size 6x6mm
- ※ Sharp tactile feeling
- ※ Cap options

APPLICATION

- ※ Audio, OA equipment
- ※ Instrumentation
- ※ Industrial

SPECIFICATION

Contact Rating	50mA, 12V DC
Contact Resistance	100mΩ max.
Insulation Resistance	100MΩ min. 500V DC
Dielectric Strength	250V AC/1 minute
Operating Force	70±30gf, Blue(U) 100±50gf, Black(K) 160±50gf, Brown(N) 260±50gf, Red(R) 320±80gf, Salmon(S) 520±130gf, Yellow(Y)
Travel	0.25mm
Operating Life	Phosphor Bronze Dome 50,000 cycles for 520/320gf 100,000 cycles for 260gf 200,000 cycles for 160/100/70gf
	Stainless Steel Dome 300,000 cycles for 520/320gf 500,000 cycles for 260gf 1,000,000 cycles for 160/100/70gf
Operating Temp.	-25°C ~ +70°C
Storage Temp.	-30°C ~ +80°C

HOW TO ORDER

DTS - **6**

=Without Ground Pin
G=With Ground Pin

Height:
1=4.30mm
2=5.00mm
3=7.00mm
44=7.30mm (SQ.)x2.40mm
48=7.30mm (SQ.)x2.80mm
5=9.50mm
6=13.00mm
8=11.30mm
9=19.50mm

Package:
=Bulk pack
▲B=Tube
(▲DTS-61, 62 Only)

V=RoHS & Lead Free Solderable
Q=Halogen Free

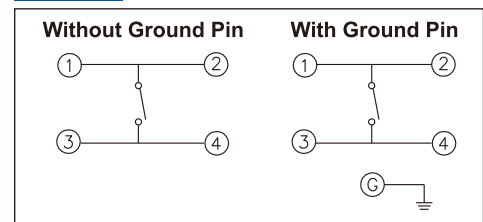
=Phosphor Bronze Dome
S=Stainless Steel Dome

Operating Force:
U=Blue, 70gf
K=Black, 100gf
N=Brown, 160gf
R=Red, 260gf
S=Salmon, 320gf
Y=Yellow, 520gf

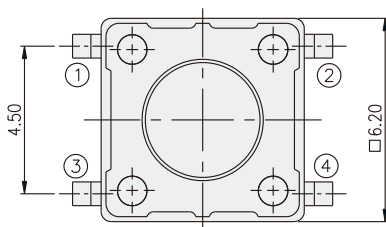
PACKAGE

<Bag>
1000 pcs
<Tub>
DTS-61/62: 75 pcs

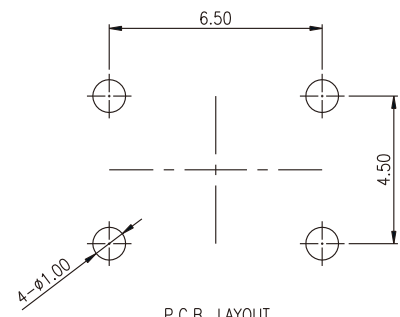
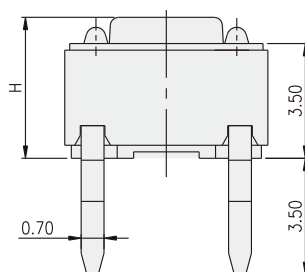
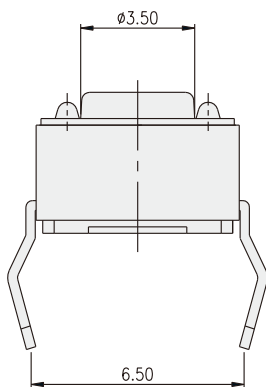
CIRCUIT



DTS-6



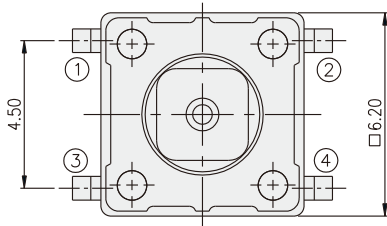
PART NO.	H
DTS-61	4.30
DTS-62	5.00
DTS-63	7.00
DTS-65	9.50
DTS-66	13.00
DTS-68	11.30
DTS-69	19.50



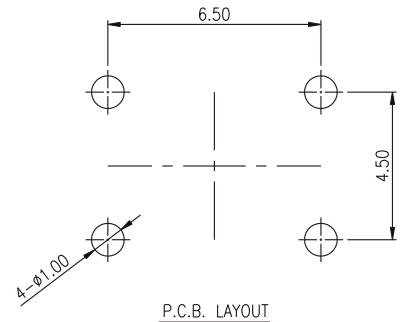
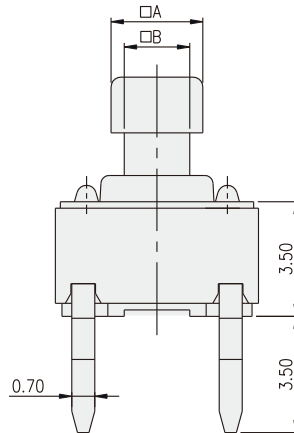
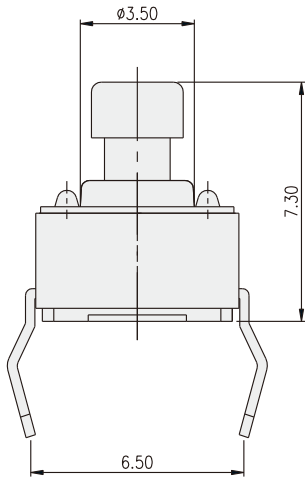
P.C.B. LAYOUT

TACT SWITCH

DTS-644(8)

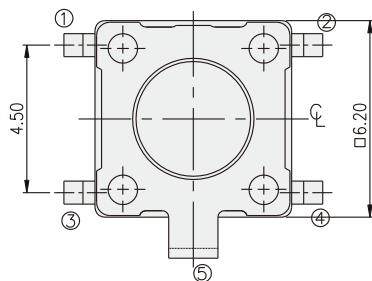


PART NO.	□A	□B
DTS-644	2.40	1.60
DTS-648	2.80	2.00

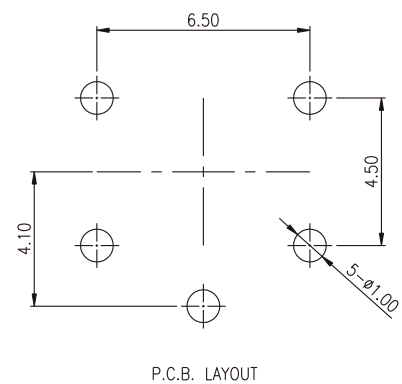
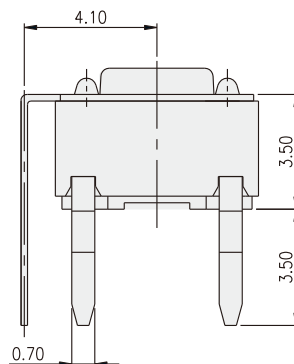
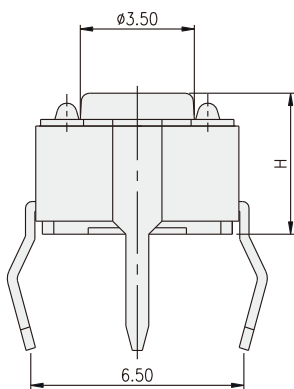


TACT SWITCH

DTSG-6



PART NO.	H
DTSG-61	4.30
DTSG-62	5.00
DTSG-63	7.00
DTSG-65	9.50
DTSG-66	13.00
DTSG-68	11.30
DTSG-69	19.50



X-ON Electronics

Largest Supplier of Electrical and Electronic Components

Click to view similar products for [Tactile Switches](#) category:

Click to view products by [Diptronics](#) manufacturer:

Other Similar products are found below :

[6407-250V-25273P](#) [ADTSA62NV](#) [B3F-3123](#) [1977177-8](#) [1977266-1](#) [ADTSA63NV](#) [ADTSM21NSVTR](#) [ADTSM25RVTR](#) [ADTSM32NVTR](#)
[ADTSMW64RV](#) [1977120-6](#) [FSMRA4JHA04](#) [GS4.70F300QP](#) [KSC241J SP DELTA LFS](#) [3FTL600RAS](#) [3FTL640RAS](#) [Y96K132V0FPLFS](#)
[09158](#) [6407-250V-25343P](#) [ADTSM31NVTR](#) [2-1977120-7](#) [TSJW-5.2-260-TR](#) [TME1-01-Z](#) [Y651050400P](#) [KMT011MNGJLHS](#)
[ADTSG648NV](#) [ADTSM62KSVTR](#) [MJTP1138DTR](#) [ADTSM648NV](#) [95C06E3RAT](#) [3ATH9Q](#) [FSMRA8JHA04](#) [HARS0073](#)
[Y33R411N9FPLFT](#) [Y33R51139FPLFT](#) [Y31C01402FPLFS](#) [PTS645SK50SMTR92](#) [ADTSM32NVB](#) [KMS233GPWTFLG](#) [Y78B64124FP](#)
[Y33A812C5FP LFT](#) [Y56B2D120FP LFS](#) [PTS645 DVM83-BN125-2 LFS](#) [B3W 1000G](#) [B3F 1002C](#) [B3F 0047H](#) [B3W 1002C](#) [B3F 5001G](#)
[B3W 1100C](#) [1-1571563-4](#)