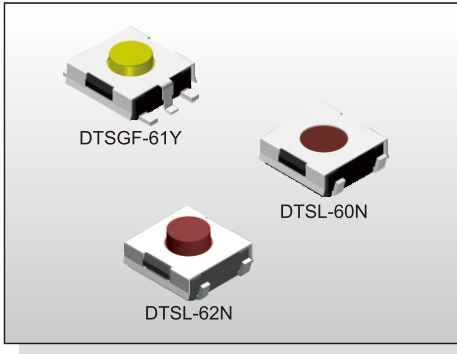


TACT SWITCH DTS(G)(L)(F)-6 SERIES

6x6 Thinner Type With Ground Terminal
(Pitch 4.0mm)



FEATURES

- ※ Thinner type with 2.0-3.1mm height
- ※ Ground terminal available
- ※ Reflow solderable

APPLICATION

- ※ Audio, OA equipment
- ※ Instrumentation
- ※ White goods

SPECIFICATION

Contact Rating	50mA, 12V DC
Contact Resistance	100mΩ max.
Insulation Resistance	100MΩ min. 500V DC
Dielectric Strength	250V AC/1 minute
Operating Force	100±50gf, Black(K) 160±50gf, Brown(N) 200±50gf, Brown(N) 62 Only 260±50gf, Red(R) 320±80gf, White(S) 520±130gf, Yellow(Y)
Travel	0.25mm
Operating Life	300,000 cycles for 520/320gf 500,000 cycles for 260/200gf 1,000,000 cycles for 160/100gf
Operating Temp.	-25°C ~ +70°C
Storage Temp.	-30°C ~ +80°C

HOW TO ORDER

D T S - **6** - -

=Without Ground Pin
G=With Ground Pin

L=L S.M.T.
F=F S.M.T.

Total Height:
0=2.00mm
1=2.50mm
2=3.10mm

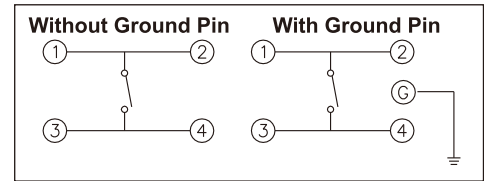
Operating Force:
K=Black, 100gf
N=Brown, 160gf
R=Red, 260gf
S=White, 320gf
Y=Yellow, 520gf
N=Brown, 200gf <Soft actuator 62 Only>

Package:
B=Tube
T/R=Tape & Reel

V=RoHS & Lead Free Solderable
Q=Halogen Free

Actuator Type:
=Soft <62> / Hard <60, 61>
P=Hard <62 Only>

CIRCUIT



PACKAGE

<Tube>

75 pcs

<Tape & Reel>

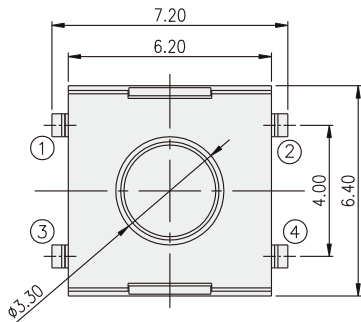
DTS(G)F-60 / DTSF-61 : 3000 pcs

DTS(G)L-60 / DTS(G)L-61 : 2700 pcs

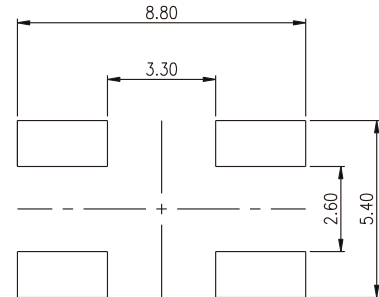
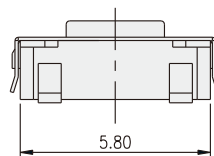
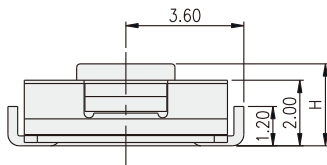
DTS(G)L-62 / DTS(G)F-62 : 2500 pcs

DTSGF-61 : 2500 pcs

DTSL-6



PART NO.	H
DTSL-60	2.00
DTSL-61	2.50
DTSL-62	3.10



P.C.B. LAYOUT

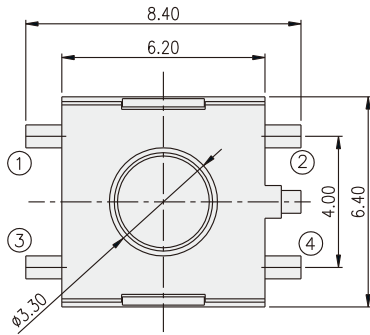
TACT SWITCH

TACT SWITCH
DTS(G)(L)(F)-6 SERIES

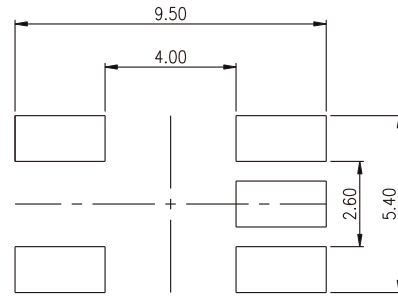
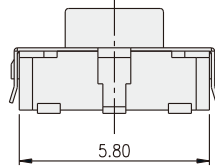
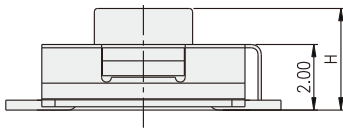
6x6 Thinner Type With Ground Terminal
 (Pitch 4.0mm)



DTSGF-6



PART NO.	H
DTSGF-60	2.00
DTSGF-61	2.50
DTSGF-62	3.10



P.C.B. LAYOUT

TACT SWITCH

X-ON Electronics

Largest Supplier of Electrical and Electronic Components

Click to view similar products for [Tactile Switches](#) category:

Click to view products by [Diptronics](#) manufacturer:

Other Similar products are found below :

[KMR633NG LFG](#) [5GTH92001](#) [5GTH9202242](#) [6426-201-11343](#) [MJ1226](#) [MJTP1109B](#) [MJTP1138EAUTR](#) [MJTP1230BL](#) [MJTPSHW](#)
[GS6.90F300QP](#) [1-1977223-0](#) [1-1977120-4](#) [ADTSA62NV](#) [ADTSA62RV](#) [ADTSA63KV](#) [ADTSA644NV](#) [ADTSM24NVTR](#) [ADTSMW66NV](#)
[ADTSMW67RV](#) [ATM533VTR](#) [1571300-3](#) [B3F-3123](#) [B3F-6055A](#) [B3F-B32-01-KIT](#) [1977177-8](#) [1977266-1](#) [2-1977223-4](#) [2-1977223-7](#)
[ADTS644KV](#) [ADTSA61RV](#) [ADTSA62KV](#) [ADTSA63NV](#) [ADTSA63RV](#) [ADTSA65NV](#) [ADTSM21NSVTR](#) [ADTSM25RVTR](#)
[ADTSM31RVTR](#) [ADTSM32NVTR](#) [ADTSM61YVTR](#) [ADTSM63SVTR](#) [ADTSM644KVTR](#) [ADTSMW64RV](#) [ADTSMW69NV](#)
[FSMRA4JHA04](#) [GS4.70F300QP](#) [D38999/20JJ37SA](#) [TL1105B](#) [TL1105J](#) [ATH447K2Q](#) [ATM534VTR](#)