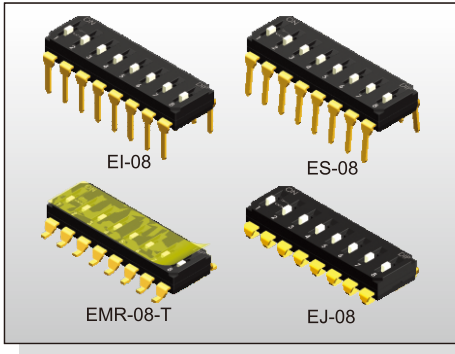


# DIP SWITCH E(M)(I)(S)(J) SERIES

End Stackable /  
SMT & Through Hole Type



## FEATURES

- ※End stackable
- ※Through hole or SMT
- ※Gold contact provides high reliability

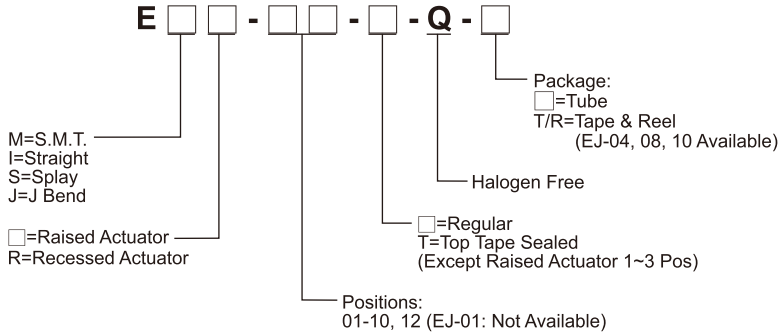
## APPLICATION

- ※Industrial control
- ※Automatic machines control
- ※Telecommunication

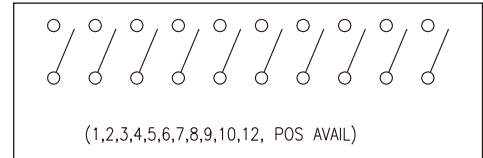
## SPECIFICATION

Contact Rating	25mA, 24V DC
Contact Resistance	100mΩ max.
Insulation Resistance	100MΩ min. 500V DC
Dielectric Strength	500V AC/1 minute
Operating Force	1,000gf max.
Travel	1mm
Operating Life	2,000 cycles
Operating Temp.	-20°C ~ +85°C
Storage Temp.	-40°C ~ +85°C

## HOW TO ORDER



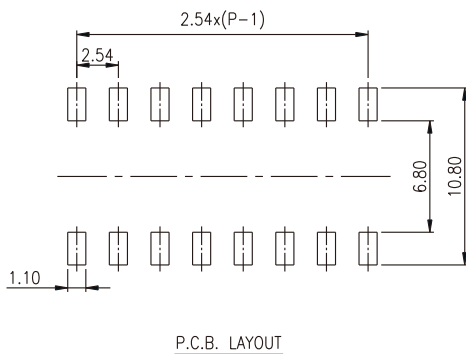
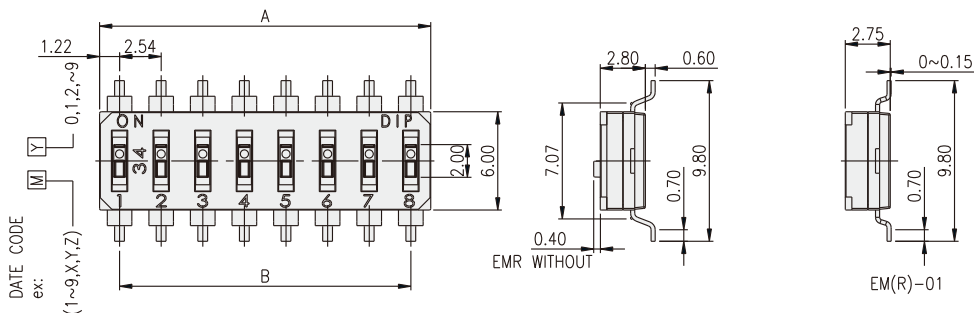
## CIRCUIT



## PACKAGE

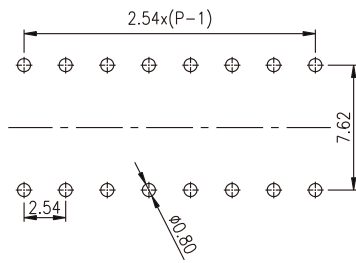
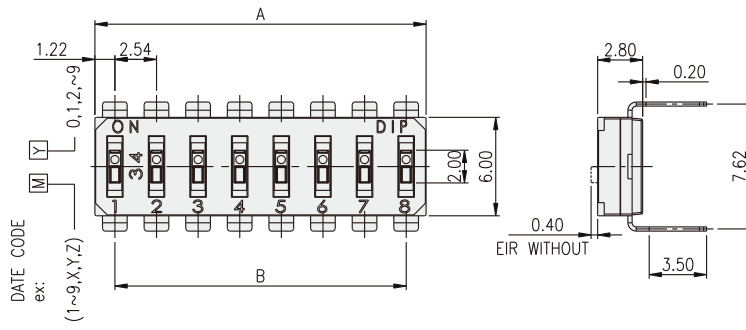
- <Tube>**  
 EM(R)/EI(R)/ES(R)-01: 194 pcs  
 E□(R)-02: 95 pcs  
 E□(R)-03: 63 pcs  
 E□(R)-04: 47 pcs  
 E□(R)-05: 38 pcs  
 E□(R)-06: 31 pcs  
 E□(R)-07: 27 pcs  
 E□(R)-08: 23 pcs  
 E□(R)-09: 21 pcs  
 E□(R)-10: 19 pcs  
 E□(R)-12: 15 pcs
- <Tape & Reel>**  
 EM(R)-01~10, 12: 900 pcs  
 EJ(R)-04, 08, 10: 900 pcs

## EM(R)



PART NO.	NO. OF POS.	DIM. A	DIM. B
EM(R)-01	1	2.44	/
EM(R)-02	2	4.98	2.54
EM(R)-03	3	7.52	5.08
EM(R)-04	4	10.06	7.62
EM(R)-05	5	12.60	10.16
EM(R)-06	6	15.14	12.70
EM(R)-07	7	17.68	15.24
EM(R)-08	8	20.22	17.78
EM(R)-09	9	22.76	20.32
EM(R)-10	10	25.30	22.86
EM(R)-12	12	30.38	27.94

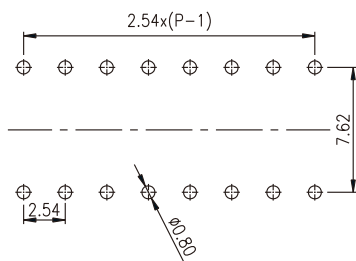
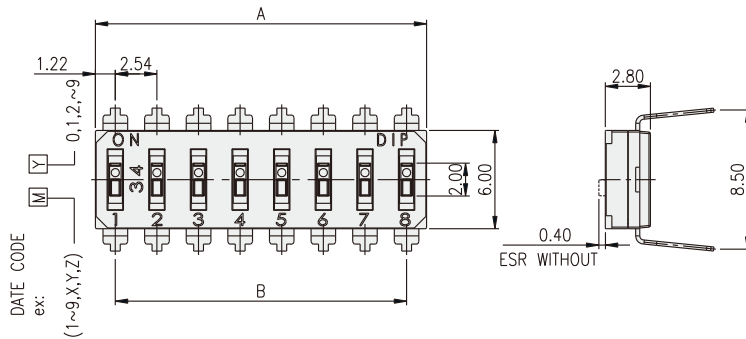
EI(R)



P.C.B. LAYOUT

PART NO.	NO.OF POS.	DIM.A	DIM.B
EI(R)-01	1	2.44	/
EI(R)-02	2	4.98	2.54
EI(R)-03	3	7.52	5.08
EI(R)-04	4	10.06	7.62
EI(R)-05	5	12.60	10.16
EI(R)-06	6	15.14	12.70
EI(R)-07	7	17.68	15.24
EI(R)-08	8	20.22	17.78
EI(R)-09	9	22.76	20.32
EI(R)-10	10	25.30	22.86
EI(R)-12	12	30.38	27.94

ES(R)



P.C.B. LAYOUT

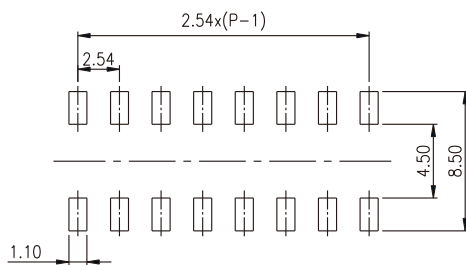
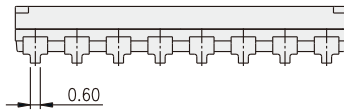
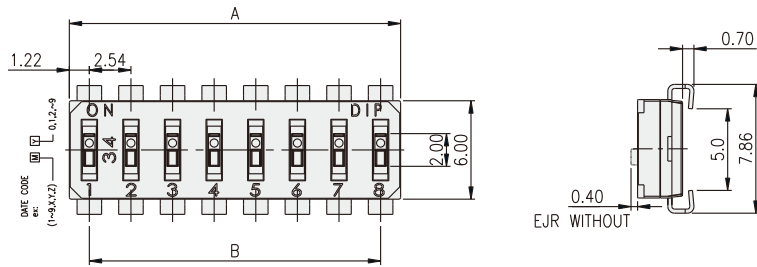
PART NO.	NO.OF POS.	DIM.A	DIM.B
ES(R)-01	1	2.44	/
ES(R)-02	2	4.98	2.54
ES(R)-03	3	7.52	5.08
ES(R)-04	4	10.06	7.62
ES(R)-05	5	12.60	10.16
ES(R)-06	6	15.14	12.70
ES(R)-07	7	17.68	15.24
ES(R)-08	8	20.22	17.78
ES(R)-09	9	22.76	20.32
ES(R)-10	10	25.30	22.86
ES(R)-12	12	30.38	27.94

DIP SWITCH  
**E(M)(I)(S)(J) SERIES**

End Stackable /  
 SMT & Through Hole Type



EJ(R)



P.C.B. LAYOUT

PART NO.	NO.OF POS.	DIM.A	DIM.B
EJ(R)-02	2	4.98	2.54
EJ(R)-03	3	7.52	5.08
EJ(R)-04	4	10.06	7.62
EJ(R)-05	5	12.60	10.16
EJ(R)-06	6	15.14	12.70
EJ(R)-07	7	17.68	15.24
EJ(R)-08	8	20.22	17.78
EJ(R)-09	9	22.76	20.32
EJ(R)-10	10	25.30	22.86
EJ(R)-12	12	30.38	27.94

DIP SWITCH

## X-ON Electronics

Largest Supplier of Electrical and Electronic Components

*Click to view similar products for [DIP Switches/SIP Switches](#) category:*

*Click to view products by [Diptronics](#) manufacturer:*

Other Similar products are found below :

[78M03S](#) [79B10T](#) [8136-475G4T](#) [G7G-1A2-CB-DC12](#) [A7SS-M](#) [DBP 2110](#) [DBP 2112](#) [DBS1008](#) [DHN02FTVTR](#) [DHN10T](#) [DHS108](#) [DM-08](#)  
[DP-10-H](#) [DPL08TN](#) [DRD16CSE04](#) [DRR4010](#) [DRR60016](#) [DRS4016](#) [BD06E](#) [1825008-1](#) [1825444-1](#) [218-8LPSTF](#) [219-6LPSTRF](#)  
[25.350.0653.0](#) [LA2-DC12](#) [SBS 5004 TG](#) [SDA10H1BDA](#) [97R06ST](#) [A2C-2A5](#) [1825444-7](#) [ADE08SA04](#) [ADE12S04](#) [2-1825058-8](#) [CCVA](#)  
[2.5/ 4-G-5.08 P26THRR32](#) [25.330.0653.1](#) [25.352.0353.0](#) [MDG305ST](#) [IKN0600000](#) [IKN0800000](#) [LA2-002-DC24](#) [DBP2008](#) [DBS1003](#)  
[DBS2008](#) [438872000](#) [WT11-D1-06](#) [DM-02](#) [DRD10CRAE04](#) [DRS1604](#) [DSR02T](#) [DSS 208 N](#)