

FEATURES

- ※2.0mm stroke
- ※Through hole or SMT
- ※1P2T, 2P2T models

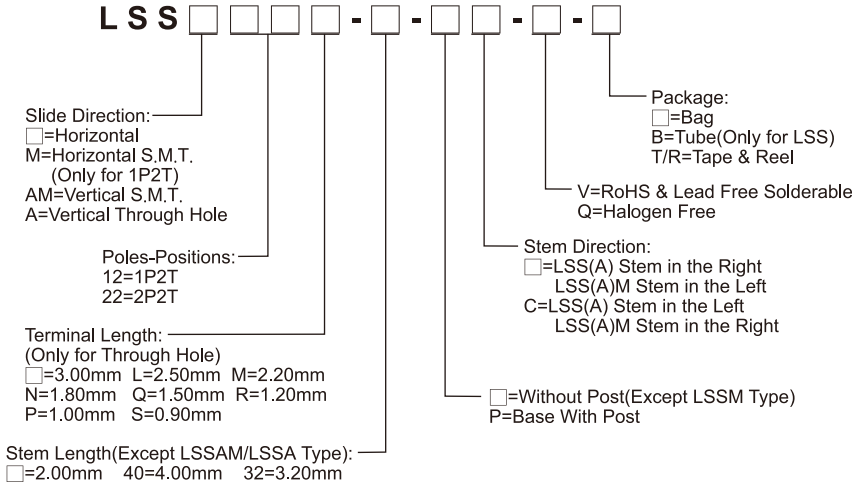
APPLICATION

- ※Remote control
- ※Consumer electronics
- ※Instrumentations

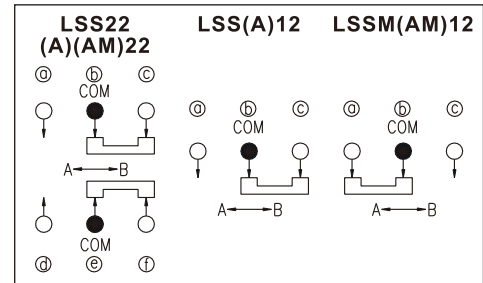
SPECIFICATION

| | |
|-----------------------|--------------------|
| Contact Rating | 0.1A, 12V DC |
| Contact Resistance | 60mΩ max. |
| Insulation Resistance | 100MΩ min. 500V DC |
| Dielectric Strength | 500V AC/1 minute |
| Operating Force | 200±150gf |
| Travel | 2mm |
| Operating Life | 10,000 cycles |
| Operating Temp. | -10°C ~ +60°C |
| Storage Temp. | -20°C ~ +70°C |

HOW TO ORDER



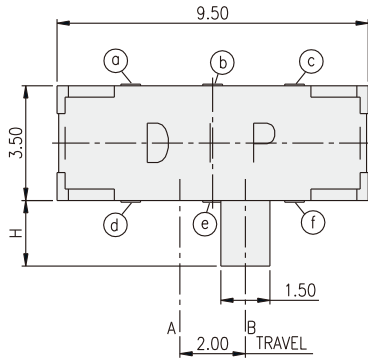
CIRCUIT



PACKAGE

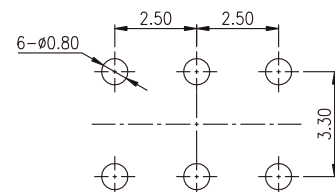
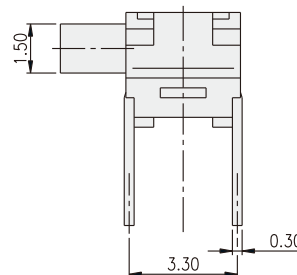
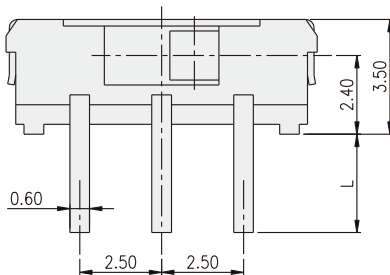
- <Bag>
LSS(A)12, 22: 1000 pcs
- <Tube>
LSS[]2, LSS[]2M, LSS[]2L: 50 pcs
- <Tape & Reel>
LSS12, 22-N,P,S,Q,R: 900 pcs
LSS12, 22-[],M,L: 800 pcs
LSS12, 12-40-P, 22[]-40: 800 pcs
LSSM12-P, LSSM12-40-P: 800 pcs
LSSM12: 1000 pcs
LSSA(M)12, 22: 600 pcs
LSSA12, 22M,L-P: 600 pcs
LSSA12, 22R-P: 500 pcs

LSS22



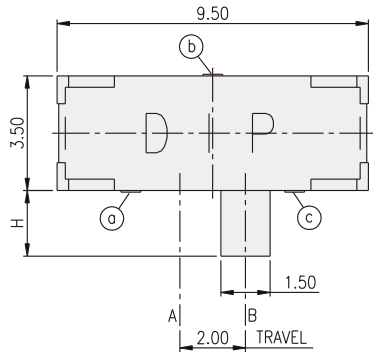
| PART NO. | H |
|----------|------|
| LSS22 | 2.0 |
| LSS22-32 | 3.20 |
| LSS22-40 | 4.0 |

| PART NO. | L |
|----------|------|
| LSS22 | 3.0 |
| LSS22S | 0.90 |
| LSS22P | 1.0 |
| LSS22R | 1.20 |
| LSS22Q | 1.50 |
| LSS22N | 1.80 |
| LSS22M | 2.20 |
| LSS22L | 2.50 |



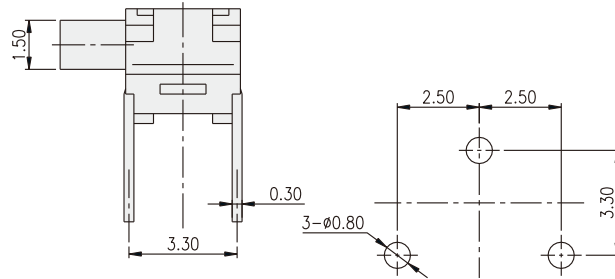
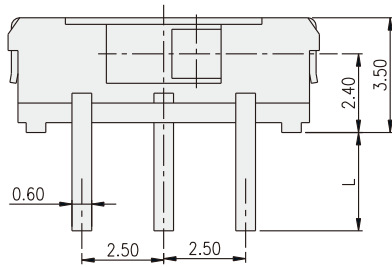
P.C.B. LAYOUT

LSS12



| PART NO. | H |
|----------|------|
| LSS12 | 2.00 |
| LSS12-32 | 3.20 |
| LSS12-40 | 4.00 |

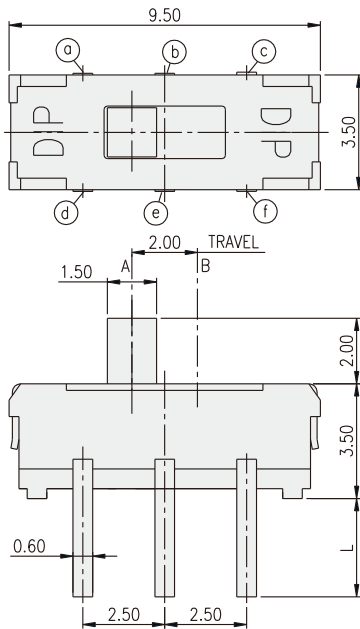
| PART NO. | L |
|----------|------|
| LSS12 | 3.0 |
| LSS12S | 0.90 |
| LSS12P | 1.0 |
| LSS12R | 1.20 |
| LSS12Q | 1.50 |
| LSS12N | 1.80 |
| LSS12M | 2.20 |
| LSS12L | 2.50 |



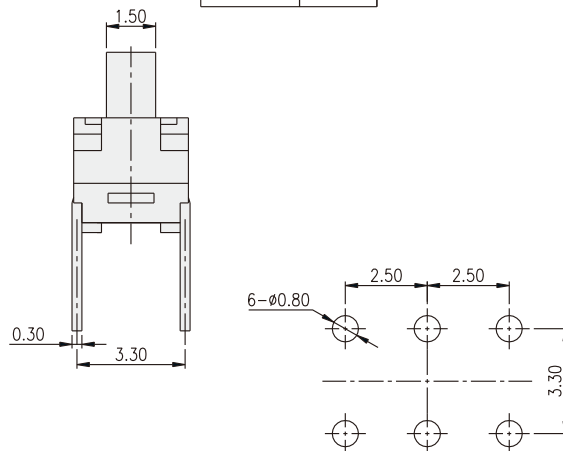
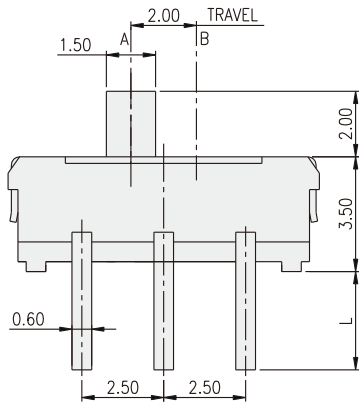
P.C.B. LAYOUT

SLIDE SWITCH

LSSA22

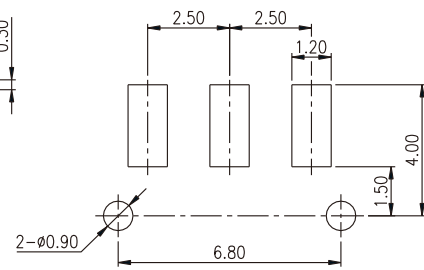
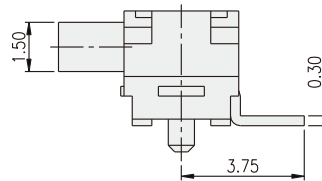
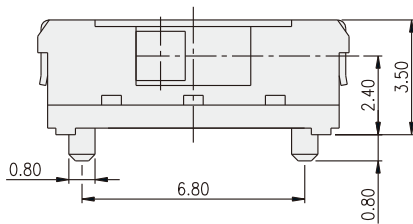
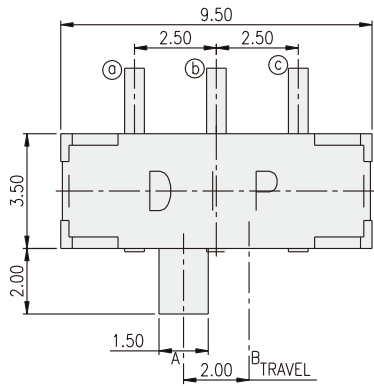


| PART NO. | L |
|----------|------|
| LSSA22 | 3.0 |
| LSSA22S | 0.90 |
| LSSA22P | 1.0 |
| LSSA22R | 1.20 |
| LSSA22Q | 1.50 |
| LSSA22N | 1.80 |
| LSSA22M | 2.20 |
| LSSA22L | 2.50 |



P.C.B. LAYOUT

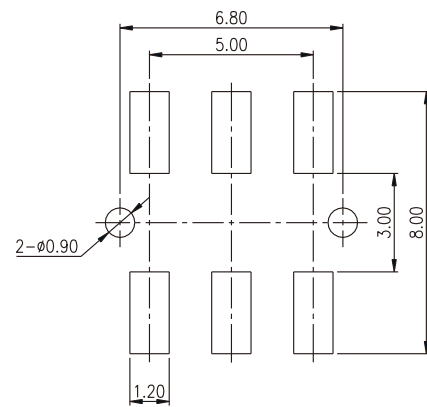
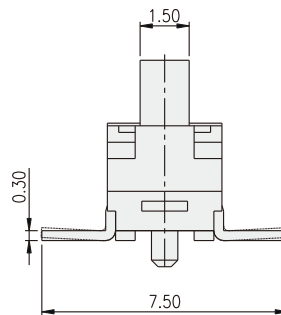
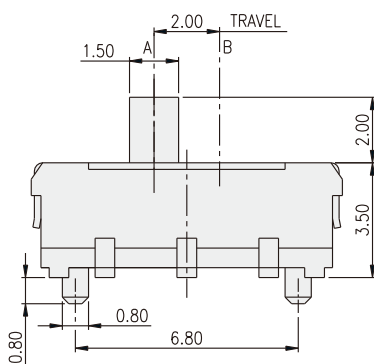
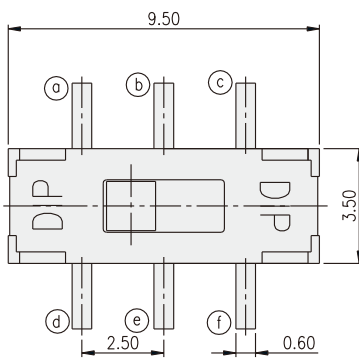
LSSM12-P



P.C.B. LAYOUT

SLIDE SWITCH

LSSAM22-P



P.C.B. LAYOUT

X-ON Electronics

Largest Supplier of Electrical and Electronic Components

Click to view similar products for [Slide Switches](#) category:

Click to view products by [Diptronics](#) manufacturer:

Other Similar products are found below :

[6-1437581-1](#) [M43R](#) [MHS123K15D](#) [MHS133K](#) [MHSS1104A](#) [MMD](#) [GH49S010001](#) [MSS12A](#) [EPS1PC1](#) [1825074-1](#) [1825160-3](#) [1825167-2](#)
[1825289-7](#) [K232CB](#) [25139NLDB](#) [25449NAH](#) [SLB1240R45](#) [1825078-1](#) [1825080-4](#) [1825269-1](#) [1825270-2](#) [STS141RA04](#) [T2215BEN506](#)
[GH46P000001](#) [GH46W000001](#) [GH49P010001](#) [25339NA](#) [M42A](#) [TG36P000000](#) [TG36P000050](#) [AYZ0202AG](#) [47227LFE](#) [49331L](#) [50208L](#)
[L203091MS02Q](#) [4-1437581-7](#) [X2225CR-437W](#) [49329L](#) [1101M1S3ZB8E2](#) [1-1437581-1](#) [MSS2225G04](#) [TG39W000000](#) [1825075-1](#)
[MSS42G](#) [TG36WS80065](#) [T105S1CWZBE](#) [SLB124145](#) [SLB1280R5](#) [SLB1340R45](#) [25136NLDB](#)