

ILLUMINATED SWITCH ML6-H4 SERIES

Tact Switch
Illuminated



FEATURES

- ※ Customized cap options
- ※ Bi-color LED available
- ※ Long operating life

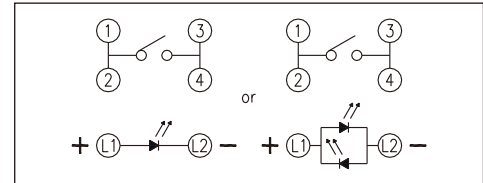
APPLICATION

- ※ Sever, modem, data storage
- ※ Audio module
- ※ Office equipment

SPECIFICATION

Contact Rating	50mA, 12V DC
Contact Resistance	100mΩ max.
Insulation Resistance	100MΩ min. 100V DC
Dielectric Strength	250V AC/1 minute
Operating Force	160±50gf
Travel	0.25mm
Operating Life	300,000 cycles
Operating Temp.	-40°C ~ +85°C
Storage Temp.	-40°C ~ +85°C

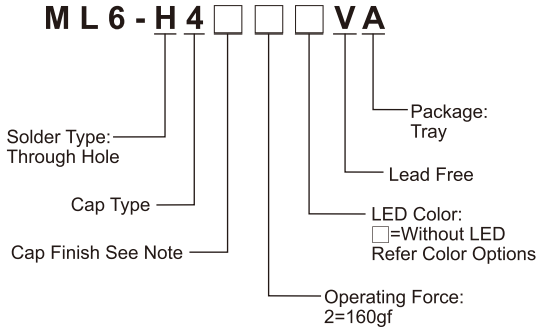
CIRCUIT



PACKAGE

<Tray>
100 pcs.

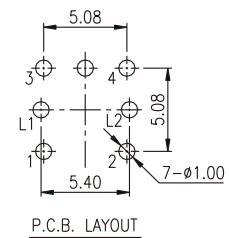
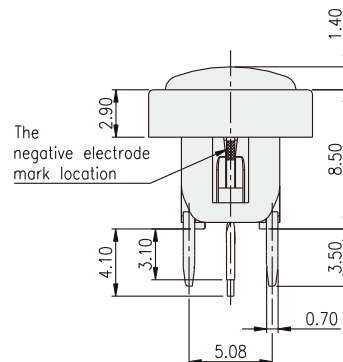
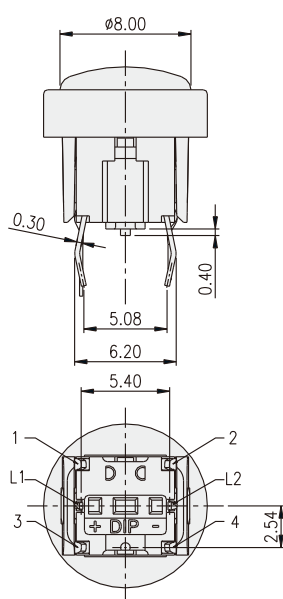
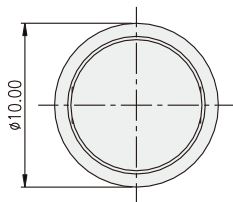
HOW TO ORDER



ML6-H4

LED Color Options:

Part No.	Color	Dominant Wavelength λ_p Typ.(nm)	Luminous Intensity I_v (mcd)	Forward Voltage V_f (V)		View Angle $2-\theta_{1/2}$ (Degree)
			Typ.	Typ.	Max.	
B	Blue	470	70	3.0	3.6	140°
PG	Pure Green	520	160	3.2	3.6	
G	Yellow Green	570	30	2.0	2.3	
Y	Yellow	590	60	2.0	2.3	
A	Soft Orange	605	50	2.0	2.3	
R	Red	630	60	2.0	2.3	
W	Cold White	X:0.26 / Y:0.23	350	3.0	3.6	



NOTE :

	CAP	
	MARK	COLOR
S1		SILVER
K1		BLACK
S3	RESET	SILVER
K3		BLACK
SA	-	SILVER
KA		BLACK

X-ON Electronics

Largest Supplier of Electrical and Electronic Components

Click to view similar products for [Optical Switches, Reflective, Photo IC Output](#) *category:*

Click to view products by [Diptronics](#) *manufacturer:*

Other Similar products are found below :

[GP2A240LCS0F](#) [ITR1502SR40A/TR8](#) [ITR1204SR10A/TR\(BY\)](#) [AEDR-8300-1W2](#) [AEDR-8501-102](#) [AEDR-83001K2](#) [AEDR-83001P2](#)
[AEDR-8300-1Q2](#) [AEDR-8710-102](#) [C3012-TW-B-V](#) [C3012-TW-R-V](#) [ML6-H4KA2VA](#) [GP2A230LRSF](#) [C128973](#) [C128975](#) [K6-1212A-04](#)
[K6-6136D-L1-04](#) [K6-6151S02](#) [K6-6271D-02](#) [K6-8859D-04](#) [EE-SG3M](#) [EE-SA801R 1M](#) [EE-SPY801](#) [EE-SPY802](#) [EE-SY1201](#) [EE-SY310](#)
[EE-SY410](#) [GP2A200LCS0F](#) [GP2A25J0000F](#) [SR-0609-07](#) [TLLAG-72APG-R1KH1-V-A](#) [OPB715Z](#) [OPB716Z](#) [OPB718Z](#) [OPB720A-06Z](#)
[OPB720A-30VZ](#) [OPB720B-06Z](#) [OPB720B-12Z](#) [OPB760N](#) [OPB770TZ](#) [OPB771TZ](#) [OPB773TZ](#)