

MICRO SWITCH MS3 SERIES



FEATURES

- ※27.8x10.3x15.9mm
- ※Solder terminal & quick-connect terminal

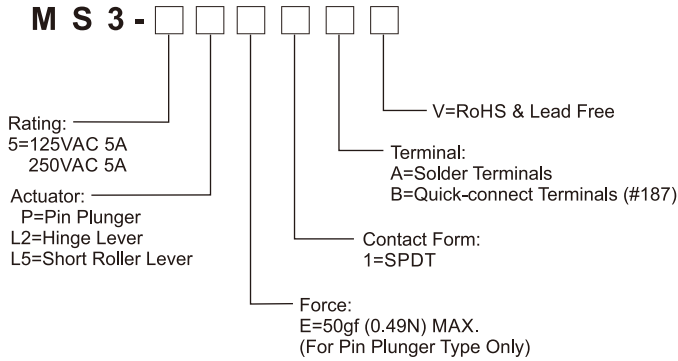
APPLICATION

- ※Notebook
- ※Audio equipment
- ※White goods

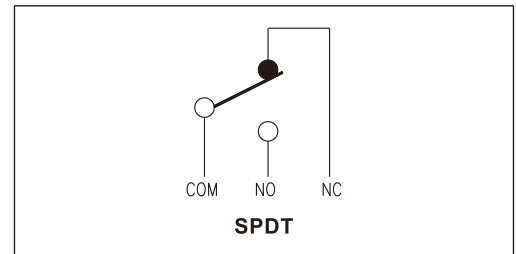
SPECIFICATION

Contact Rating	5A at 125/250VAC
Mechanical Durability	5,000,000 cycles MIN.
Electrical Durability	100,000 cycles MIN.
Contact Resistance	100mΩ MAX.
Insulation Resistance	100MΩ MIN. (at 500VDC)
Dielectric Strength	Between terminals of the same polarity: 600VAC(50Hz or 60Hz) shall be applied across terminals for 1 minute
	Between each terminal and ground: 1500VAC(50Hz or 60Hz) shall be applied across terminals for 1 minute
Operating Temp.	Between each terminal and non-current-carrying metal parts 1500VAC(50Hz or 60Hz) shall be applied across terminals for 1 minute
	-40°C ~ +85°C

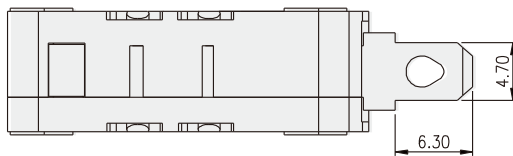
HOW TO ORDER



CIRCUIT

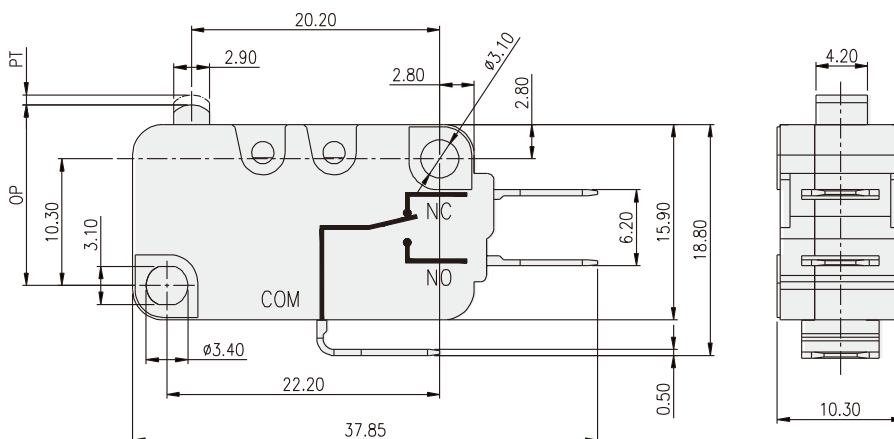


MS3-5PE1AV

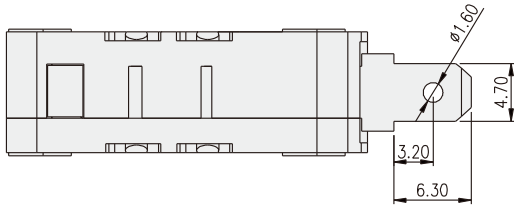


OPERATING CHARACTERISTICS

ITEM	SPEC.
OPERATING FORCE(OF)	50gf (0.49N) MAX.
RELEASE FORCE(RF)	5gf (0.05N) MIN.
PRETRAVEL(PT)	1.20mm MAX.
OVERTRAVEL(OT)	1.0mm MIN.
MOVEMENT DIFFERENTIAL(MD)	0.40mm MAX.
OPERATING POSITION(OP)	14.70±0.4mm

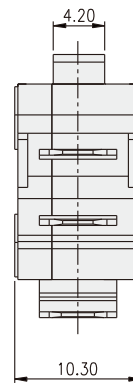
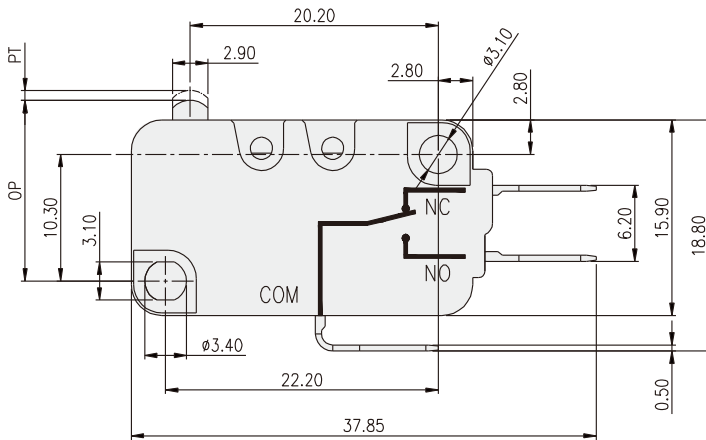


MS3-5PE1BV

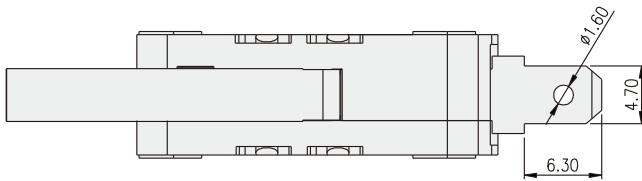


OPERATING CHARACTERISTICS

ITEM	SPEC.
OPERATING FORCE(OF)	50gf (0.49N) MAX.
RELEASE FORCE(RF)	5gf (0.05N) MIN.
PRETRAVEL(PT)	1.20mm MAX.
OVERTRAVEL(OT)	1.0mm MIN.
MOVEMENT DIFFERENTIAL(MD)	0.40mm MAX.
OPERATING POSITION(OP)	14.70±0.4mm

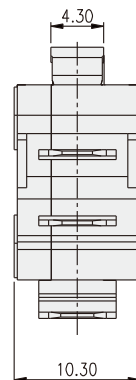
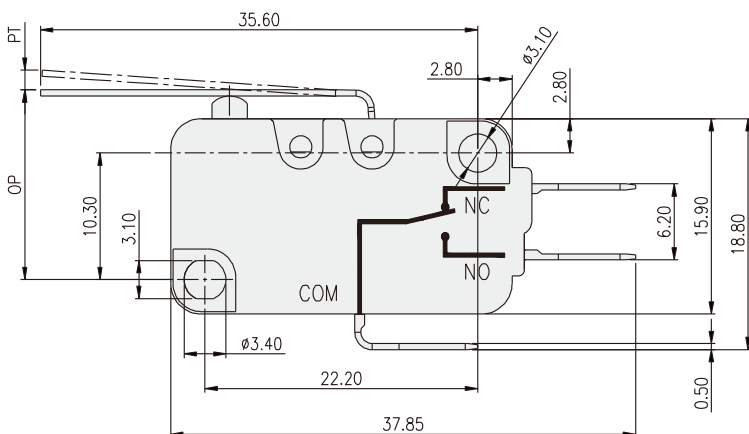


MS3-5L2E1BV



OPERATING CHARACTERISTICS

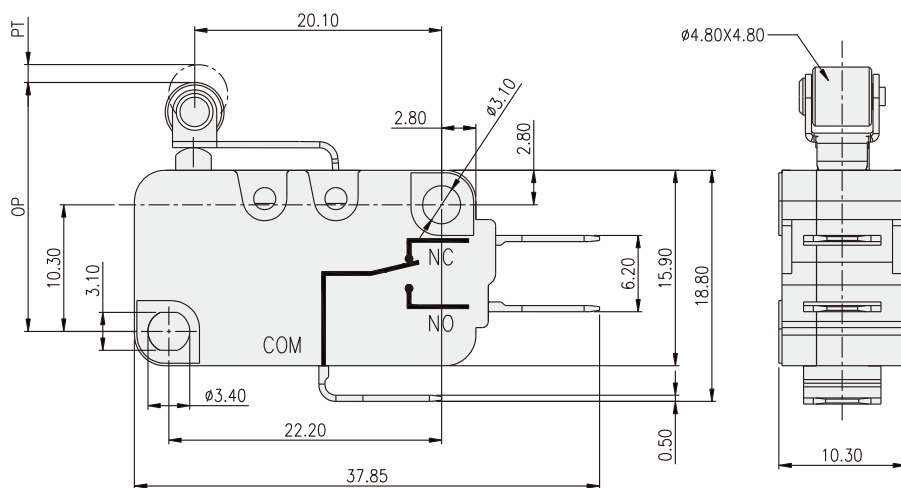
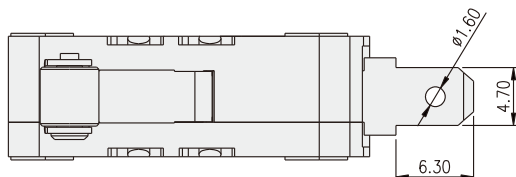
ITEM	SPEC.
OPERATING FORCE(OF)	30gf (0.29N) MAX.
OVERTRAVEL(OT)	1.60mm MIN.
MOVEMENT DIFFERENTIAL(MD)	0.80mm MAX.
OPERATING POSITION(OP)	15.20±1.20mm
PRETRAVEL(PT)	4.0mm MAX.



MS3-5L5E1BV

OPERATING CHARACTERISTICS

ITEM	SPEC.
OPERATING FORCE(OF)	60gf (0.59N) MAX.
RELEASE FORCE(RF)	4gf (0.04N) MIN.
PRETRAVEL(PT)	1.60mm MAX.
OVERTRAVEL(OT)	0.8mm MIN.
MOVEMENT DIFFERENTIAL(MD)	0.50mm MAX.
OPERATING POSITION(OP)	20.70±0.6mm



X-ON Electronics

Largest Supplier of Electrical and Electronic Components

Click to view similar products for [Basic / Snap Action Switches](#) category:

Click to view products by [Diptronics](#) manufacturer:

Other Similar products are found below :

[5SM901-S12](#) [5SM9-S12N195](#) [602EN532](#) [602EN535-RB](#) [602HE5-RB1](#) [604HE223-6B](#) [624HE17-RB](#) [6HM82](#) [6SE1](#) [6SX1-H58](#) [71051](#) [714-0293](#) [MBH2731](#) [79211923](#) [79218589](#) [MIL30126AB6BBMD4A12XAU](#) [ML-1155](#) [ML-1376](#) [831010C3.0](#) [831090C2.EL](#) [83131904](#) [84212012](#) [8AS239](#) [8HM73-3](#) [8SX26-H33](#) [914CE1-6G](#) [11SM1077-H4](#) [11SM1077-H58](#) [11SM1-TN107](#) [11SM405](#) [11SM703-T](#) [11SM8423-H2](#) [11SX37-T](#) [11SX48-H58](#) [11SM2442-T](#) [11SM76-T](#) [11SM77-H58](#) [11SM77-T](#) [11SM863-T](#) [11SM866](#) [121EN188-R](#) [1245.0120](#) [125EN56-RB](#) [D433V3RD](#) [1267.0101](#) [1267.7101](#) [D4BFC1](#) [12SM4-T2](#) [12SX2-T2](#) [1298.0101](#)